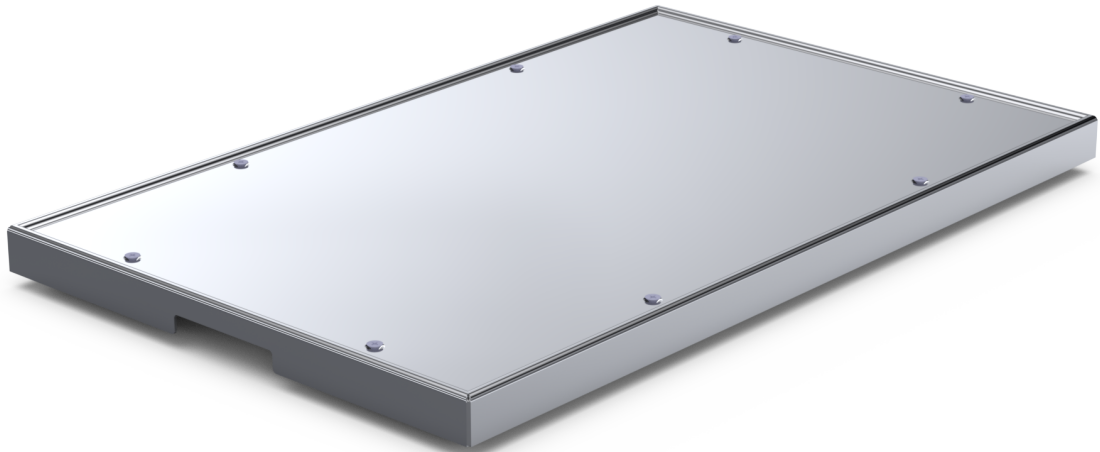


# Kit Instructions

## 1-Bag Scale Tray (Stainless Steel)



7364-K181  
Issue D



---

The product described in this document is a licensed product of NCR Corporation.

NCR is a registered trademark of NCR Corporation. NCR FastLane SelfServ™ Checkout is a trademark of NCR Corporation in the United States and/or other countries. Other product names mentioned in this publication may be trademarks or registered trademarks of their respective companies and are hereby acknowledged.

Where creation of derivative works, modifications or copies of this NCR copyrighted documentation is permitted under the terms and conditions of an agreement you have with NCR, NCR's copyright notice must be included.

It is the policy of NCR Corporation (NCR) to improve products as new technology, components, software, and firmware become available. NCR, therefore, reserves the right to change specifications without prior notice.

All features, functions, and operations described herein may not be marketed by NCR in all parts of the world. In some instances, photographs are of equipment prototypes. Therefore, before using this document, consult with your NCR representative or NCR office for information that is applicable and current.

Copyright © 2022  
By NCR Corporation  
Global Headquarters  
864 Spring St. NW  
Atlanta, GA 30308  
United States  
All Rights Reserved

## Revision Record

Issue	Date	Remarks
A	May 2019	First Issue
B	Sep 2020	Added the following sections: <ul style="list-style-type: none"><li>• <a href="#"><u>Removing Scale Tray from 7360 SelfServ Checkout Unit</u></a> on page 6.</li><li>• <a href="#"><u>Removing Backsplash</u></a> on page 8.</li><li>• <a href="#"><u>Removing Back Panel</u></a> on page 10.</li><li>• <a href="#"><u>Installing Scale Tray (Stainless Steel) on 7360 SelfServ Checkout Unit</u></a> on page 7.</li></ul>
C	Mar 2021	Separated 7364-K183 2-Bag Scale Tray from Kit.
D	Nov 2021	Updated Kit Contents

---

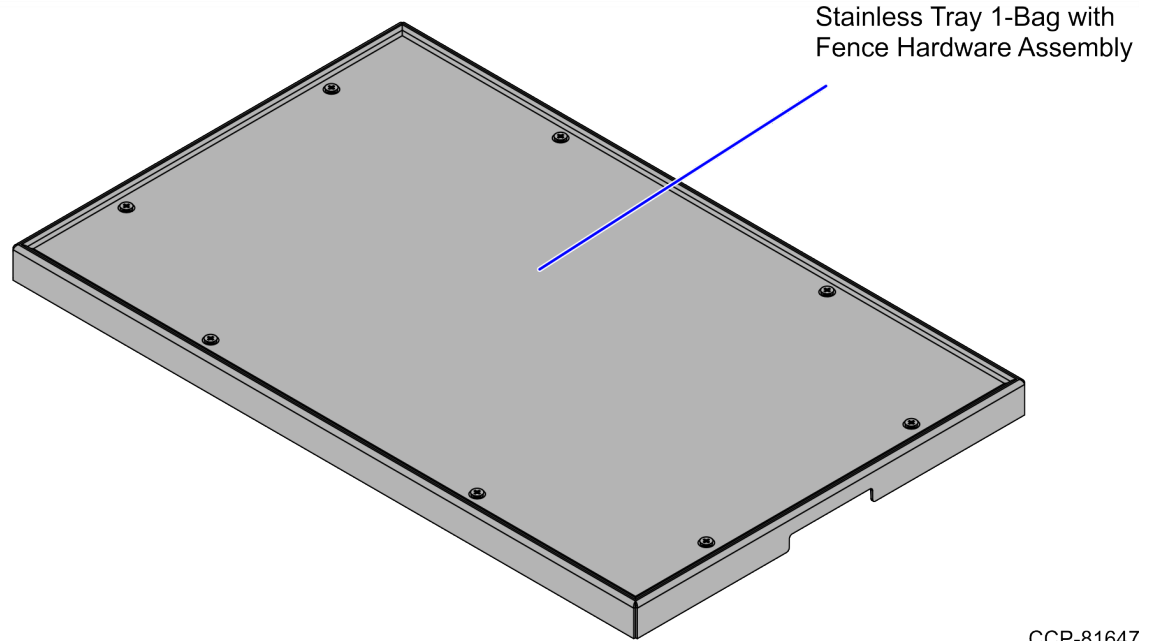
# 1-Bag Scale Tray (Stainless Steel)

---

The Scale Tray (Stainless Steel) provides an area where customers can place items after scanning them. This publication provides procedures for installing a Scale Tray (Stainless Steel) on either of the following SelfServ Checkout units:

- NCR FastLane SelfServ™ Checkout (7364)
- NCR FastLane SelfServ™ Checkout (7360)

## Kit Contents



Part Number	Description
497-0525426	Kit - Scale Tray 1 Bag - Stainless Steel
497-0528785	Assembly - Stainless Tray - 1-Bag with Fence Hardware <b>Note:</b> To install a Scale Tray Fence, refer to <a href="#">7364-K460 Scale Tray Fence Kit Instructions</a> .
* 497-0423108	Kit Instructions (Reference Sheet)

\* Items marked with an asterisk are not called out on the image.

# Installation Procedures

Depending on the SelfServ Checkout unit, refer to the following procedures:

## 7364 SelfServ Checkout Unit

- [Removing Scale Tray from 7364 SelfServ Checkout Unit](#) on the next page.
- [Installing Scale Tray \(Stainless Steel\) on 7364 SelfServ Checkout Unit](#) on page 5.

## 7360 SelfServ Checkout Unit

To install Scale Tray (Stainless Steel) on a 7360 SelfServ Checkout unit, follow these steps:

1. Remove the existing Scale Tray, if necessary. For more information, refer to [Removing Scale Tray from 7360 SelfServ Checkout Unit](#) on page 6.
2. Remove the back panel from the Core Cabinet. For more information, refer to [Removing Back Panel](#) on page 10.
3. Remove and discard the Backsplash. For more information, refer to [Removing Backsplash](#) on page 8.



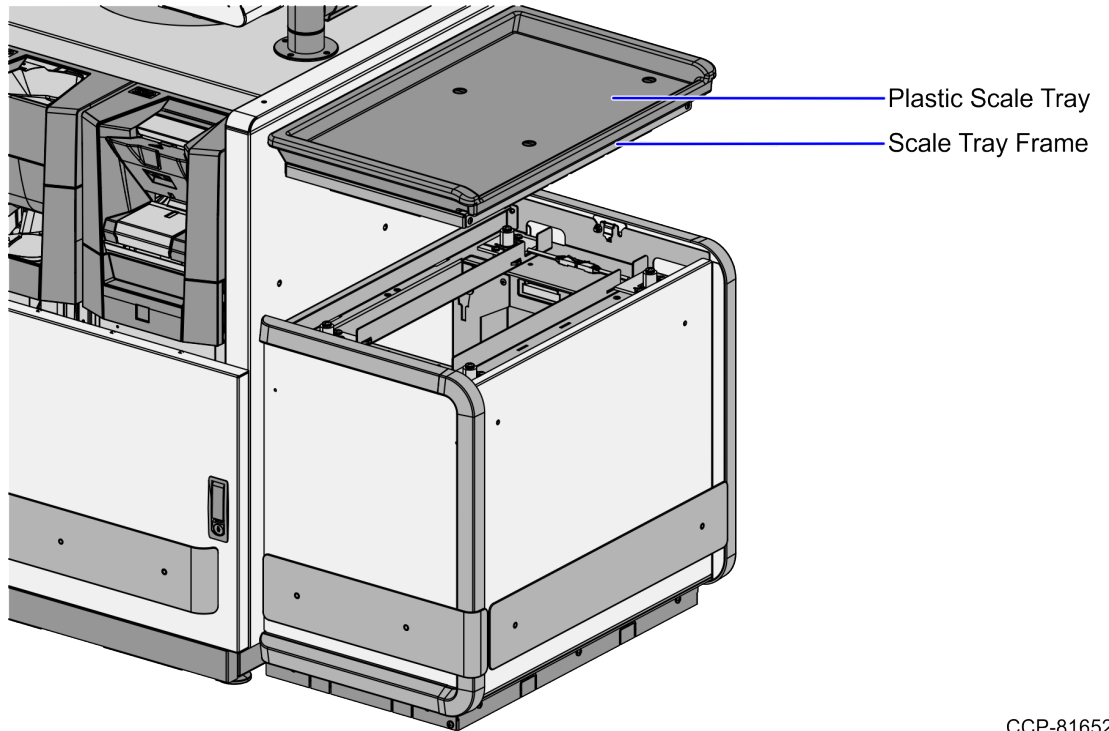
**Note:** The Backsplash is no longer needed when using the 7364 K181/K183 Scale Tray (Stainless Steel). Do **not** reinstall the Backsplash and the Backsplash mounts.

4. Install the new Scale Tray (Stainless Steel). For more information, refer to [Installing Scale Tray \(Stainless Steel\) on 7360 SelfServ Checkout Unit](#) on page 7.
5. Install the Back Panel to the Core Cabinet. For more information, refer to [Installing Back Panel](#) on page 12.

## Removing Scale Tray from 7364 SelfServ Checkout Unit

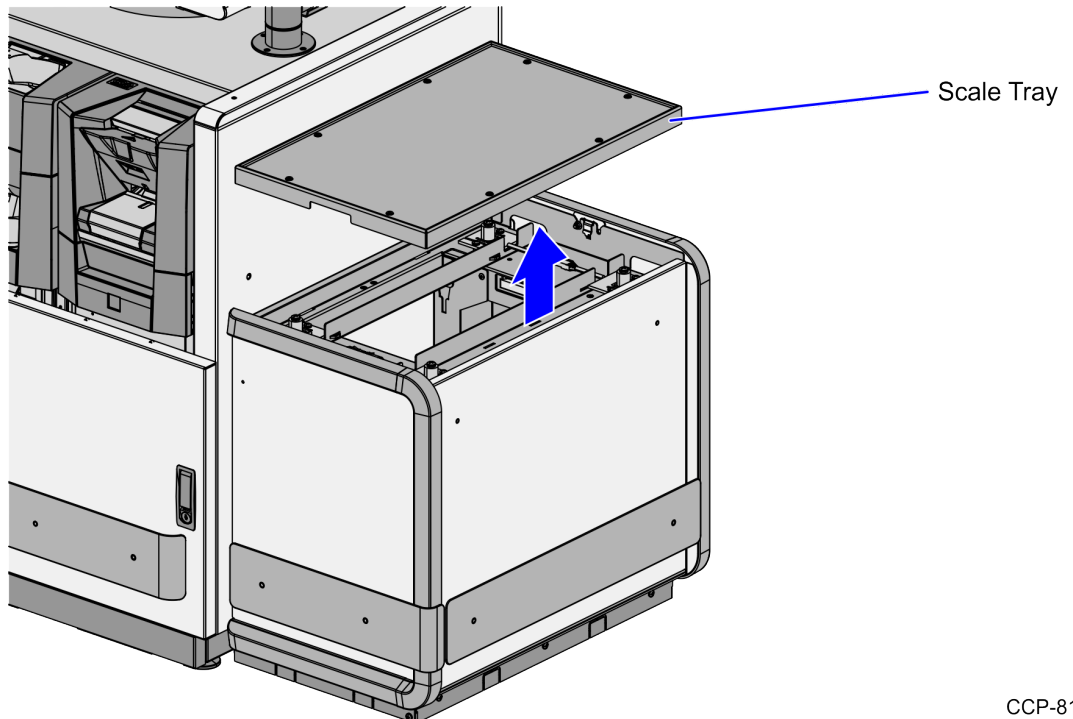
Depending on the type of Scale Tray, do either of the following:

- Lift and remove the existing Plastic Scale Tray together with the Scale Tray Frame from the Bagwell.



CCP-81652

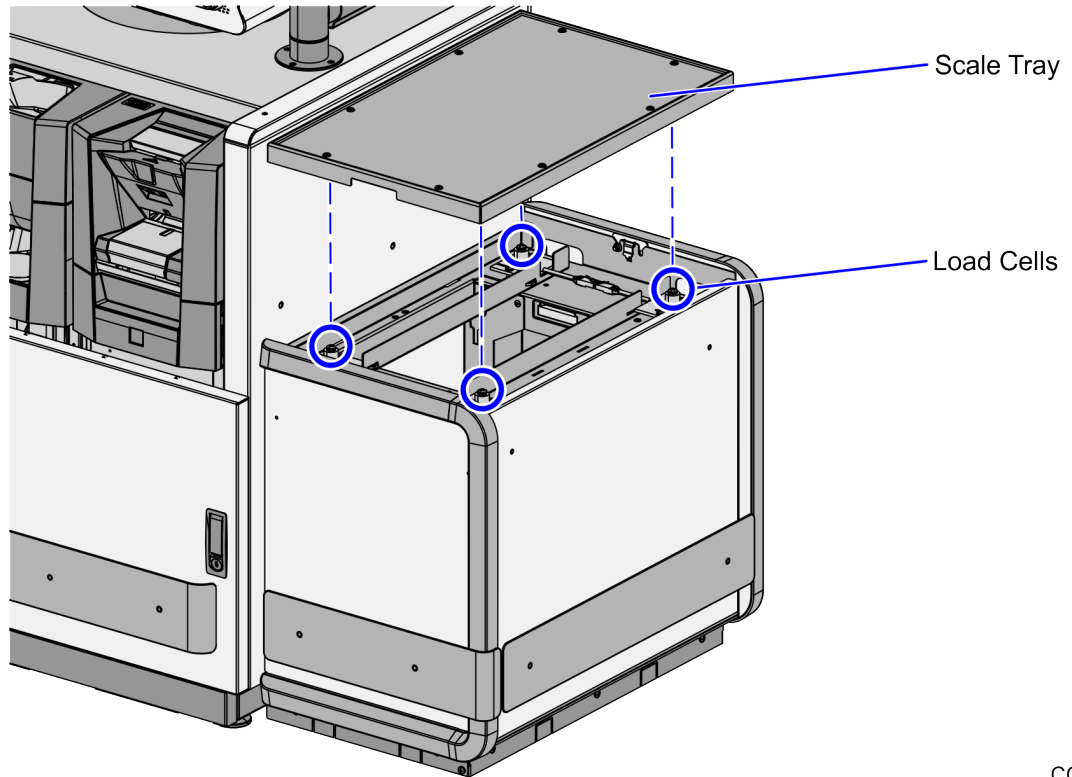
- Lift and remove the existing Stainless Steel Scale Tray from the Bagwell.



CCP-81648

## Installing Scale Tray (Stainless Steel) on 7364 SelfServ Checkout Unit

Place the Scale Tray (Stainless Steel) on top of the four (4) load cells of the Bagwell, as shown in the images below.

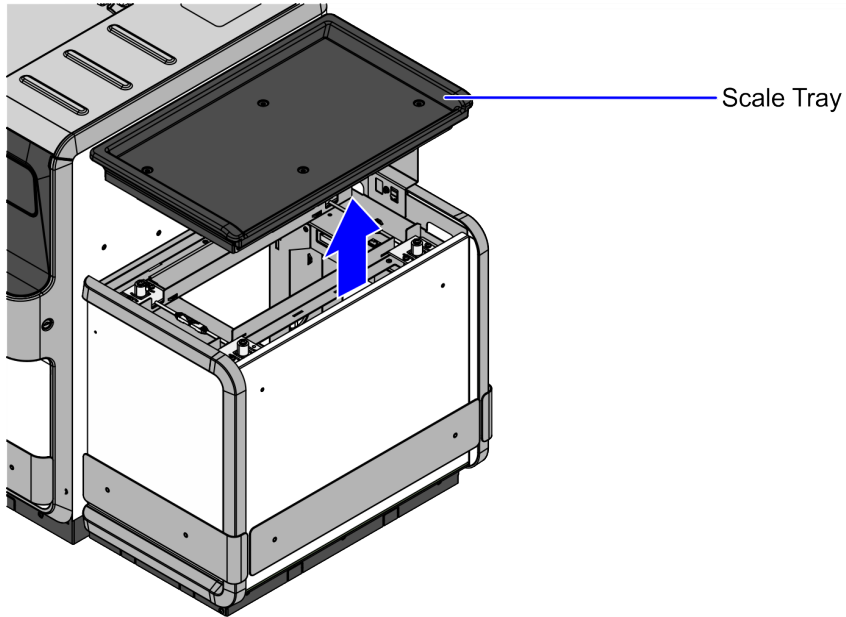




## Removing Scale Tray from 7360 SelfServ Checkout Unit

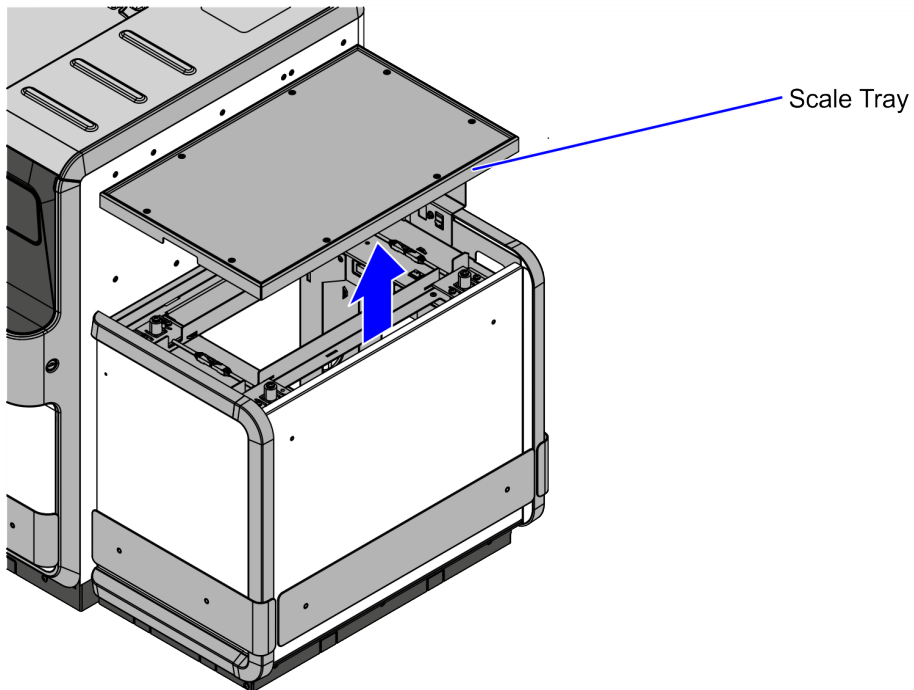
Depending on the type of Scale Tray, do either of the following:

- Lift and remove the existing 7360 Scale Tray (Plastic) from the Bagwell.



CCP-81649

- Lift and remove the existing Scale Tray (Stainless Steel) from the Bagwell.



CCP-81651

## Installing Scale Tray (Stainless Steel) on 7360 SelfServ Checkout Unit

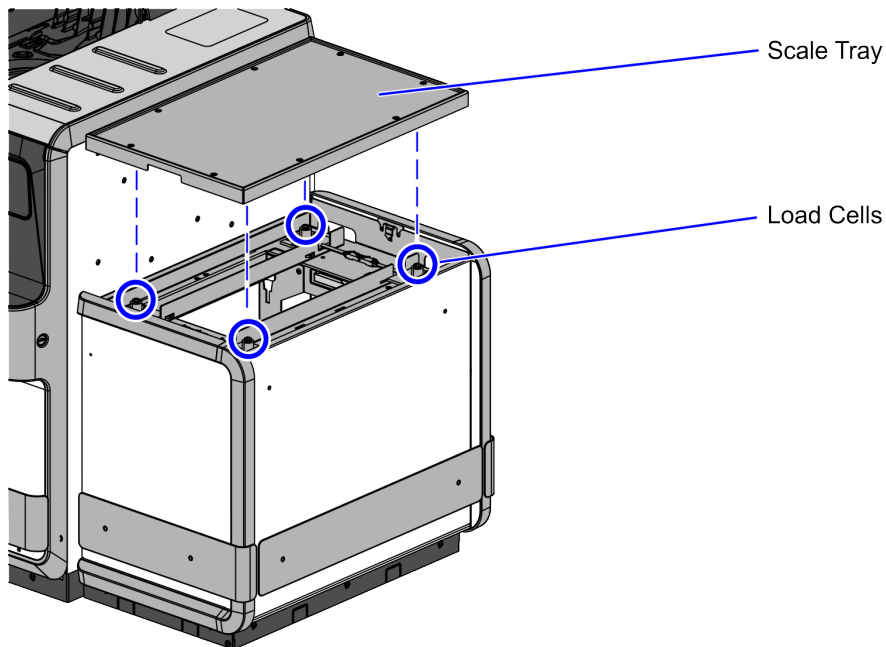
To install the Scale Tray (Stainless Steel) on a 7360 SelfServ Checkout, follow these steps:

1. Do the following, if necessary:
  - a. Remove the existing Scale Tray from the Bagwell. For more information, refer to [Removing Scale Tray from 7360 SelfServ Checkout Unit](#) on the previous page.
  - b. Remove the back panel from the Core Cabinet. For more information, refer to [Removing Back Panel](#) on page 10.
  - c. Remove and discard the Backsplash. For more information, refer to [Removing Backsplash](#) on the next page.



**Note:** The Backsplash is no longer needed when using the 7364 K181 Scale Tray (Stainless Steel). Do **not** reinstall the Backsplash and the Backsplash mounts.

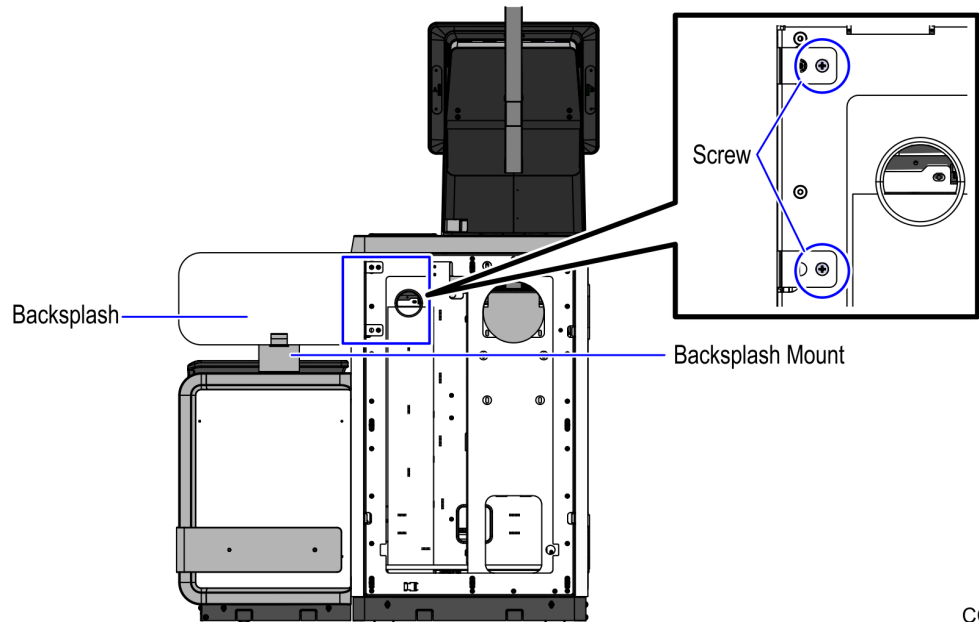
2. Place the Scale Tray (Stainless Steel) on top of the four (4) load cells of the Bagwell, as shown in the image below.



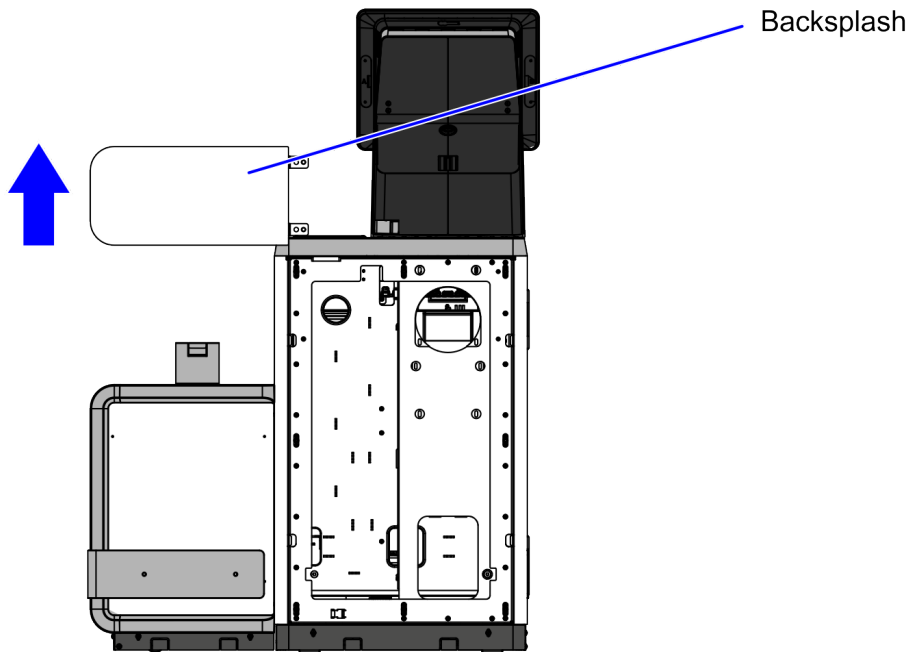
## Removing Backsplash

To remove the Backsplash from the 7360 SelfServ Checkout unit, follow these steps:

1. Do the following, if necessary:
  - a. Remove the existing Scale Tray, if necessary. For more information, refer to [Removing Scale Tray from 7360 SelfServ Checkout Unit](#) on page 6.
  - b. Remove the back panel from the Core Cabinet. For more information, refer to [Removing Back Panel](#) on page 10.
2. Remove two (2) flathead screws securing the Backsplash to the Core Frame.



- Lift the Backsplash from the Bagwell module, as shown in the image below.

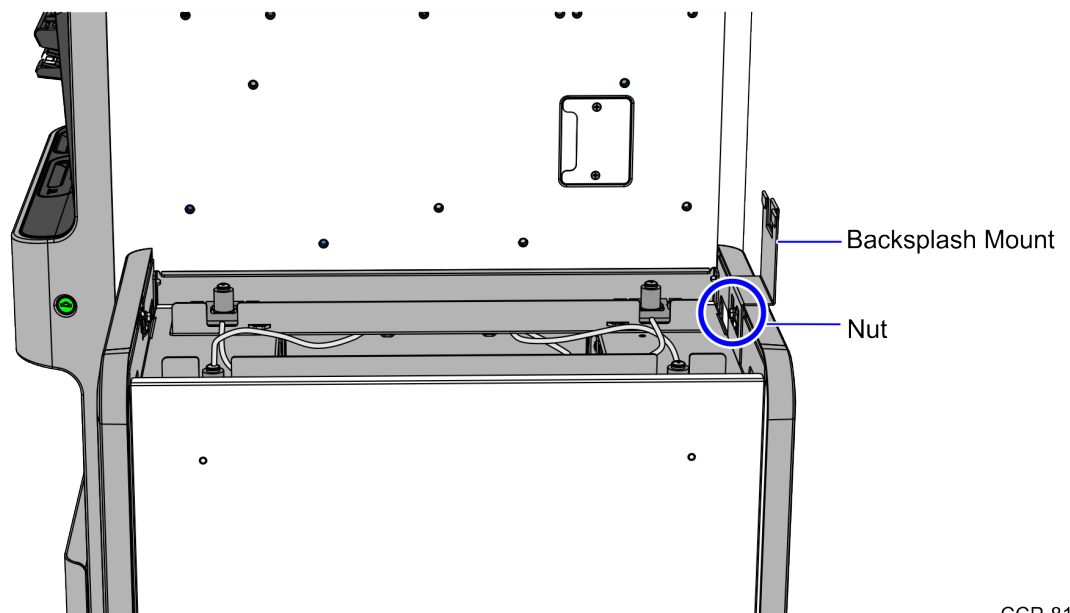


CCP-81654

- Remove one (1) nut securing the Backsplash Mount to the Bagwell frame.



**Note:** The nut also holds the back panel of the Bagwell to the Bagwell frame. Set aside the nut for reinstallation.



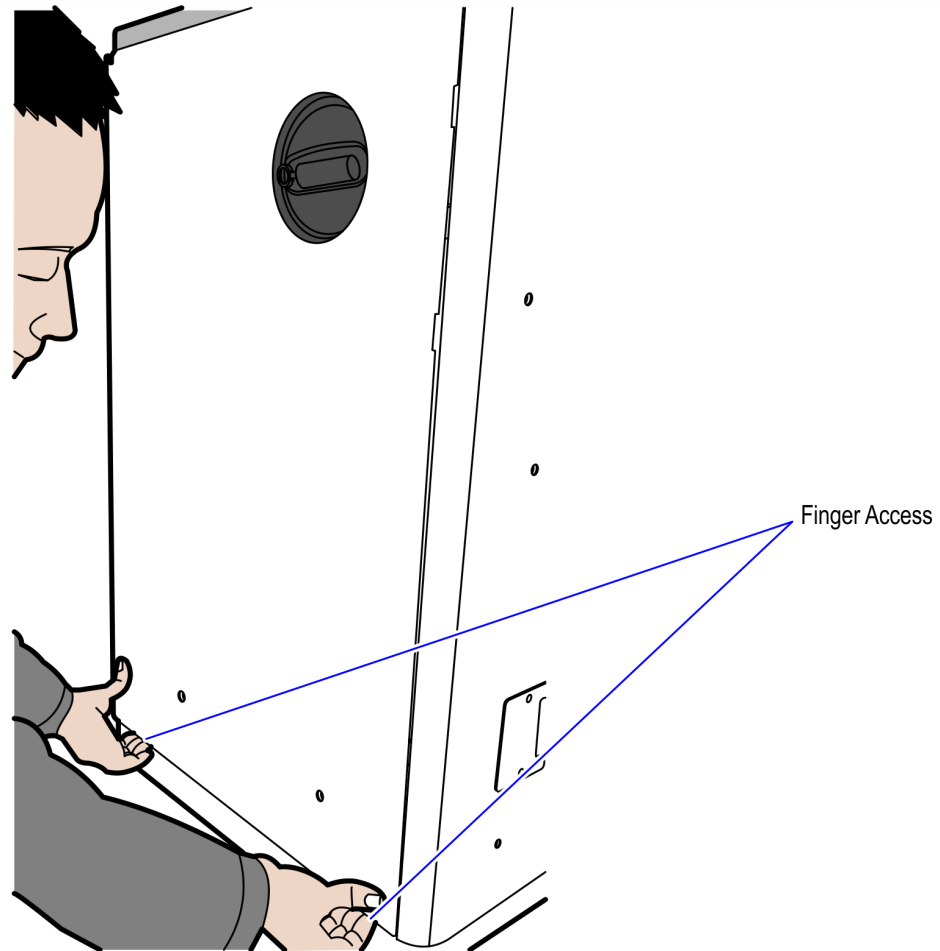
CCP-81655

- Lift and remove the Backsplash Mounts.
- Reinstall the nut to secure the back panel to the Bagwell frame.

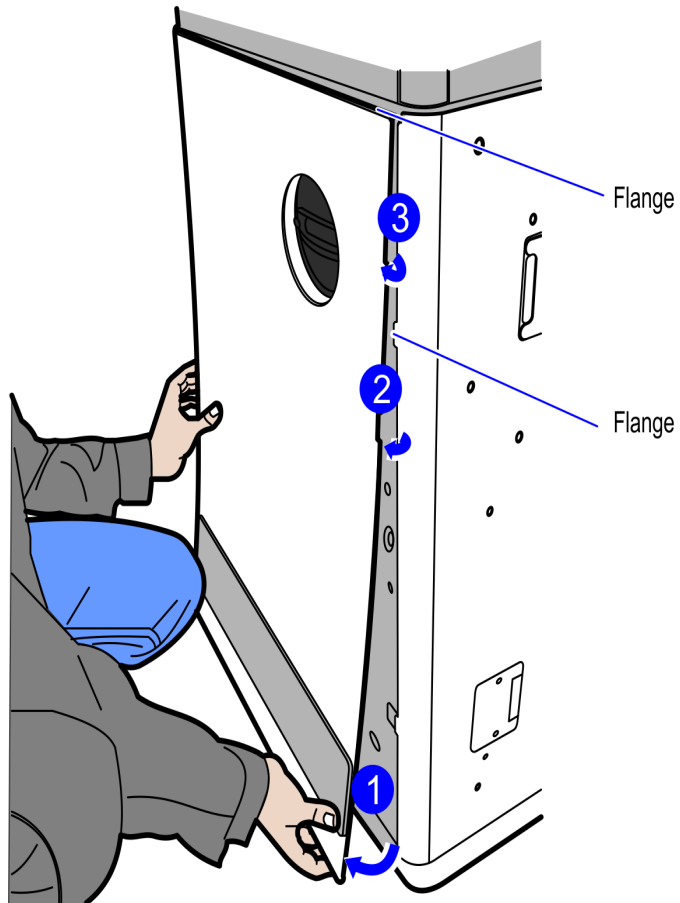
## Removing Back Panel

To remove the Back Panel from the Core Frame, follow these steps:

1. At the bottom of the Back Panel, hold the finger access on both sides as shown in the image below.



2. Slowly pull the Back Panel forward to disengage each flange attaching the Back Panel to the Core Frame as shown in the image below.

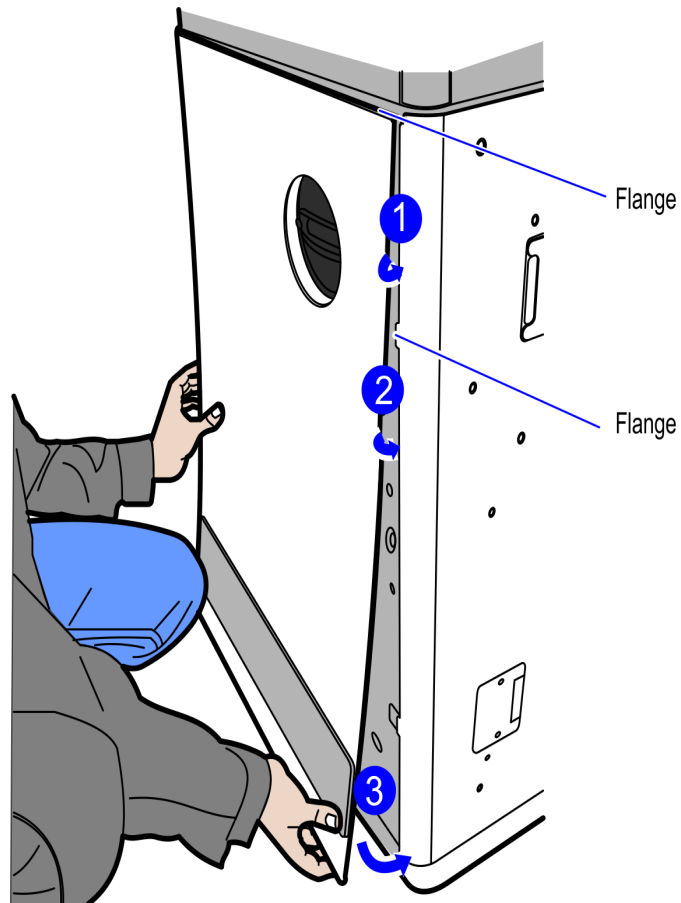


## Installing Back Panel

To install the Back Panel to the Core Frame, slowly align and attach the Back Panel to the flanges on the Core Frame, as shown in the image below.



**Note:** For the purpose of illustration, this step shows an image of a Convertible unit as an example only.



CCP-74803