

Kit Instructions

Tri-Light/Lane Light Pole and Mount



7364-K062
Issue A



The product described in this document is a licensed product of NCR Corporation.

NCR is a registered trademark of NCR Corporation. NCR FastLane SelfServ™ Checkout is a trademark of NCR Corporation in the United States and/or other countries. Other product names mentioned in this publication may be trademarks or registered trademarks of their respective companies and are hereby acknowledged.

Where creation of derivative works, modifications or copies of this NCR copyrighted documentation is permitted under the terms and conditions of an agreement you have with NCR, NCR's copyright notice must be included.

It is the policy of NCR Corporation (NCR) to improve products as new technology, components, software, and firmware become available. NCR, therefore, reserves the right to change specifications without prior notice.

All features, functions, and operations described herein may not be marketed by NCR in all parts of the world. In some instances, photographs are of equipment prototypes. Therefore, before using this document, consult with your NCR representative or NCR office for information that is applicable and current.

Copyright © 2023
By NCR Corporation
Global Headquarters
864 Spring St. NW
Atlanta, GA 30308
United States
All Rights Reserved

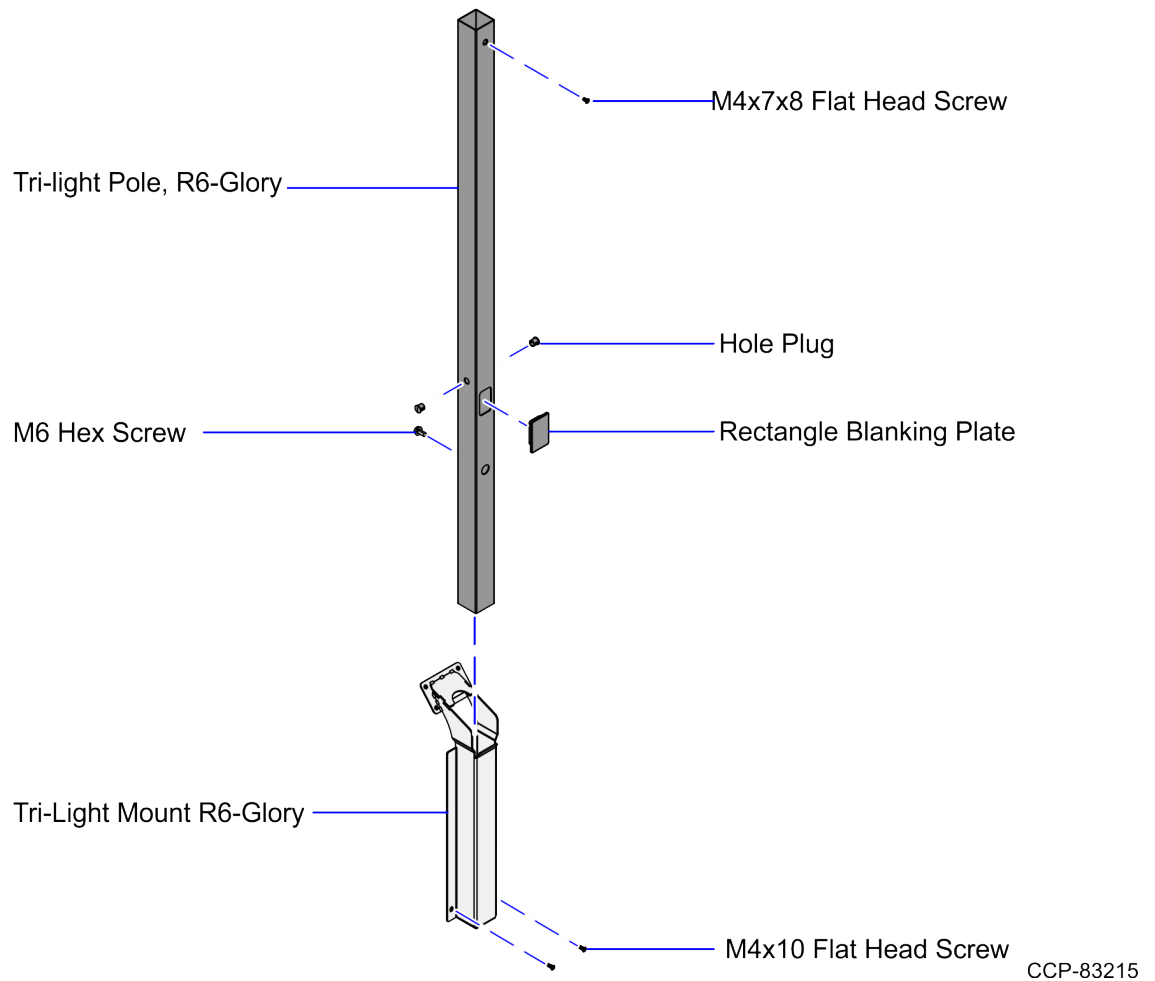
Revision Record

Issue	Date	Remarks
A	Apr 2022	First Issue

Tri-Light/Lane Light Pole and Mount

This publication provides procedures for installing a Tri-Light/Lane Light Pole in an NCR FastLane SelfServ™ Checkout (7364) configurations:

Kit Contents



Part Numbers	Description
497-0529782	7364-K062 Tri-Light/Lane Light Pole and Mount
* 006-8614045	Cable Tie - Nylon, 11 3/8 in Long (5 pcs)
006-8622623	Screw, M4 x 10, Flat Head, Phillips, Black Oxide (2 pcs)
* 006-8623599	Plug - Locking, Flush, 9.5 mm hole, Black (2 pcs)

Part Numbers	Description
* 006-8624305	Rectangle Blanking Plug (42 x 23.8 mm)
006-8624498	Screw - M4 x 0.7 x 8 mm, Flat Head, Stainless
009-0006599	Screw Hex M6 x 12 MC Comb
497-0533846	Tri-Light Pole, R6-GLORY
497-0523835	Cable - Tri-Light/Lane Light Extender
795-0267501	Tri-Light Mount, (DARK WHITE)
* 497-0528330	Cable - Tri-Light Camera 12 V PWR R6G 2.1 (305 mm)
* 497-0506953	Cable - Ethernet, 10/100/1000 MBaseT, 8-wire, putty color 5000 mm
* 497-0525458	Cable - 12 V PWR IP CAM+INPUT BELT DC PWR, 2.794 m
* 497-0423108	Instructions Kit (Reference Sheet)

* Items marked with an asterisk are not called out on the image.

Installation Procedure

To install the Tri-Light/Lane Light with Mount, follow these steps:

1. If necessary, do any of the following:

- a. [Removing the Secondary Display](#) on page 5.
- b. [Removing the Secondary Display Blanking Plate](#) on page 8.

2. Do the following:

- a. Align and insert the four (4) studs of the Pole Mount into the four (4) slots intended for Secondary Display Blanking Plate.



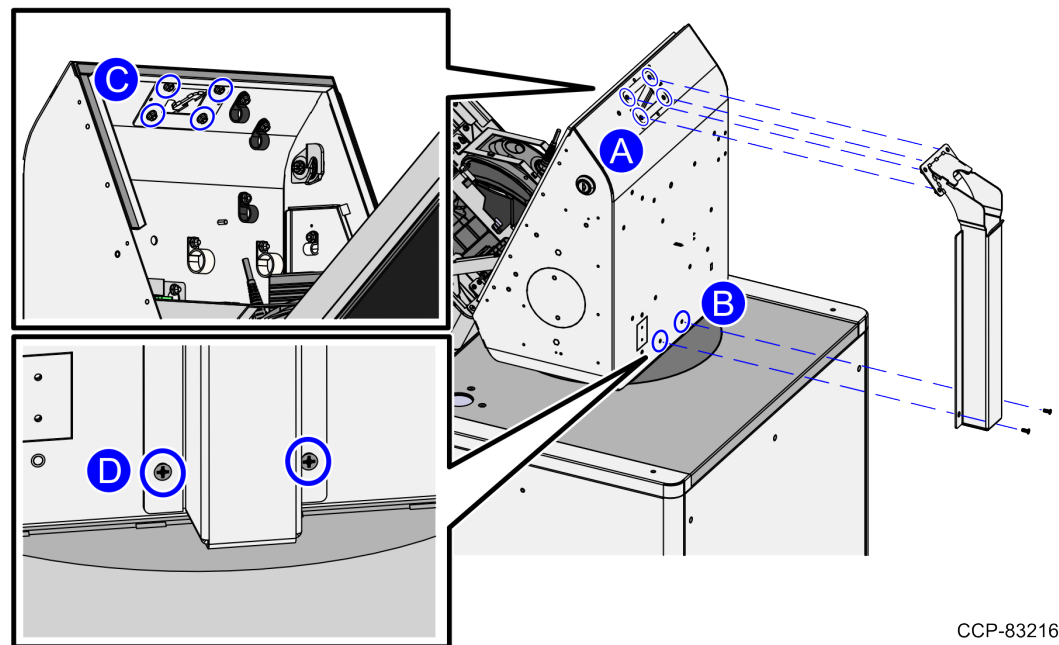
Note: Do not attach the nuts to the Pole Mount studs yet to allow adjustments to the lower part of the mount.

- b. Adjust the lower part of the Pole Mount so that its screw slots align with the slots on the back of the Tower Cabinet.
- c. Secure the upper part of the Pole Mount to the Tower Cabinet using four (4) nuts.



Note: Reuse the four (4) nuts that were removed from the Secondary Display or Blanking Plate.

- d. Secure the lower part of the Pole Mount to the Tower Cabinet using two (2) flat head screws, as shown in the image below.



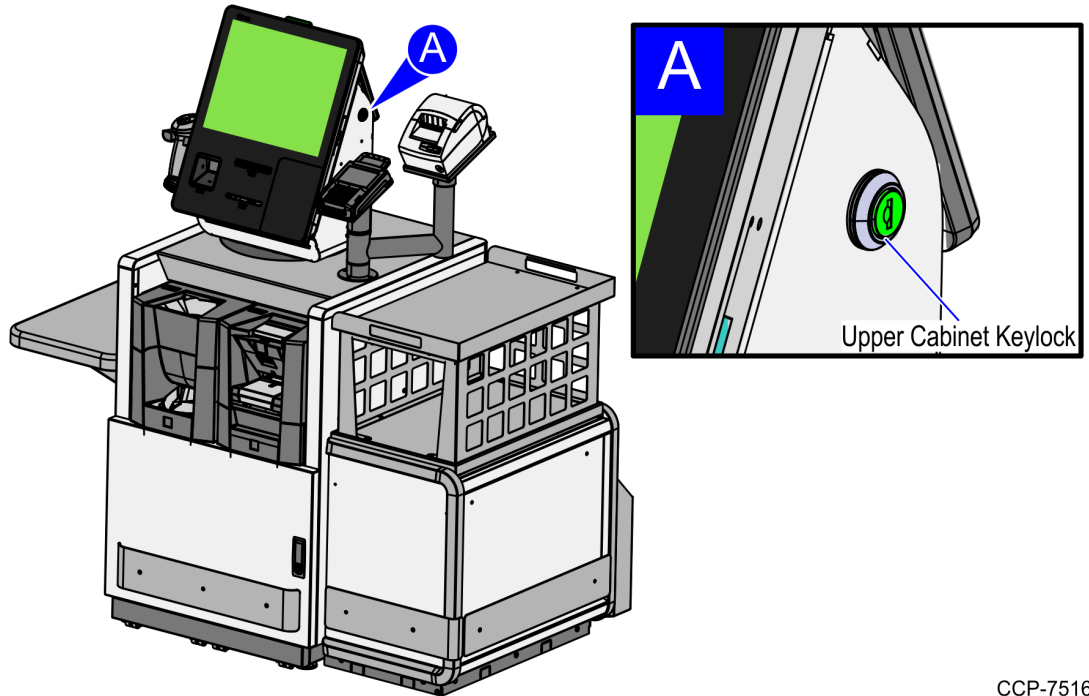
CCP-83216

3. Install the Tri-Light/Lane Light. For more information, refer to [Installing Tri-Light/Lane Light Pole](#) on page 9.

Opening Tower Cabinet

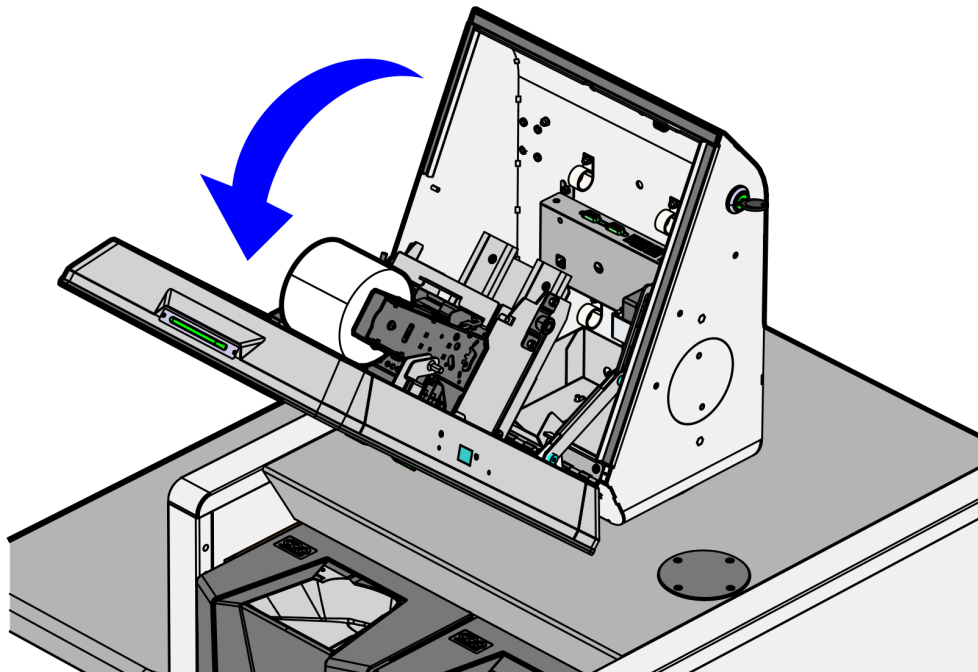
To open the Tower Cabinet, follow these steps:

1. Insert key into the Tower Cabinet keylock and turn key clockwise.



CCP-75164

2. Lower the Terminal Display as shown in the image below.

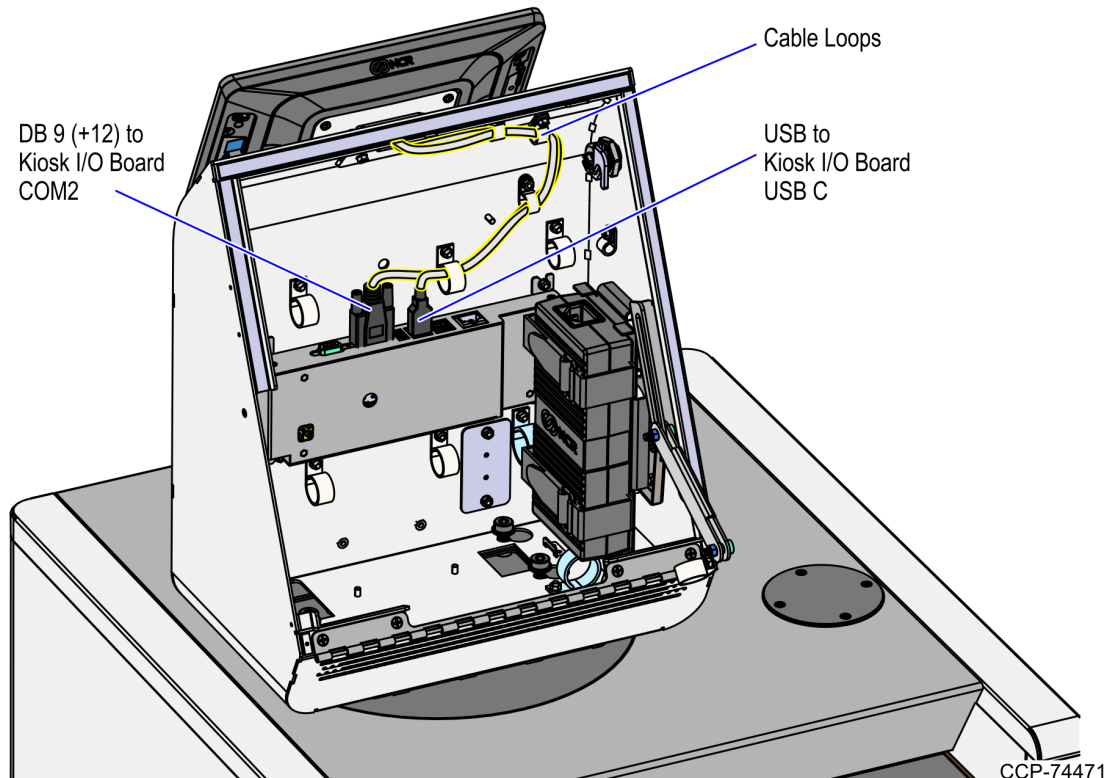


CCP-75165

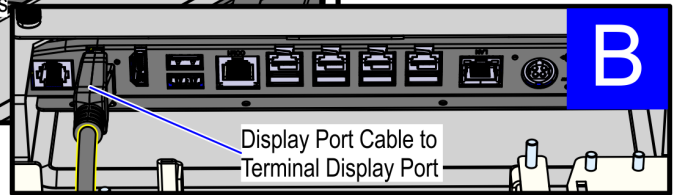
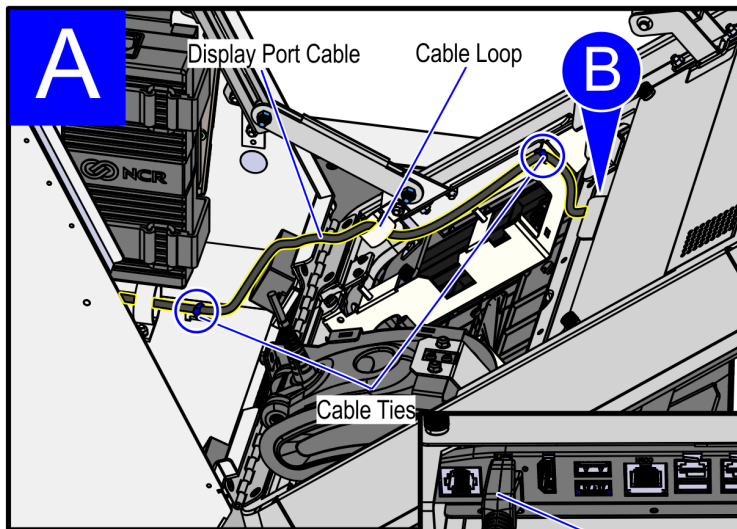
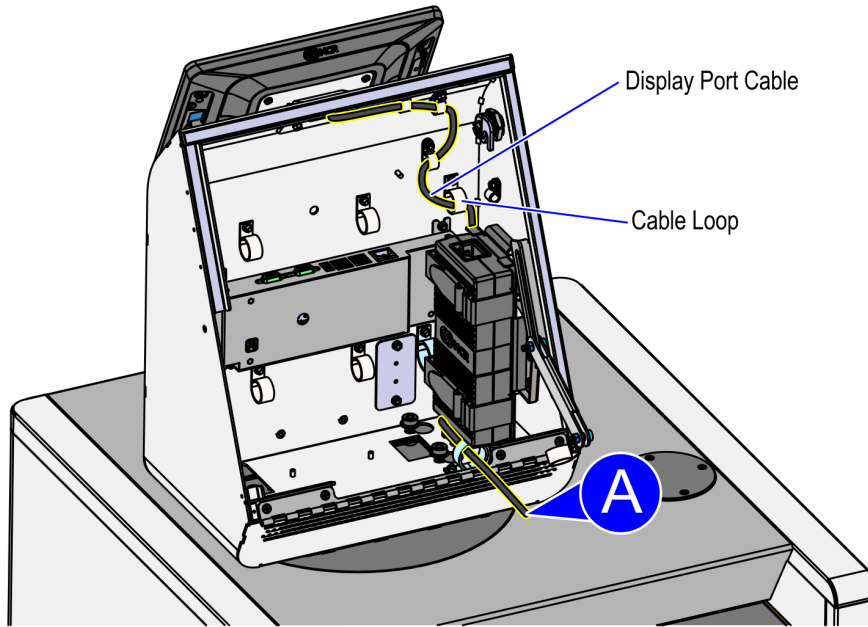
Removing the Secondary Display

To remove the Secondary Display from the Tower Cabinet, follow these steps:

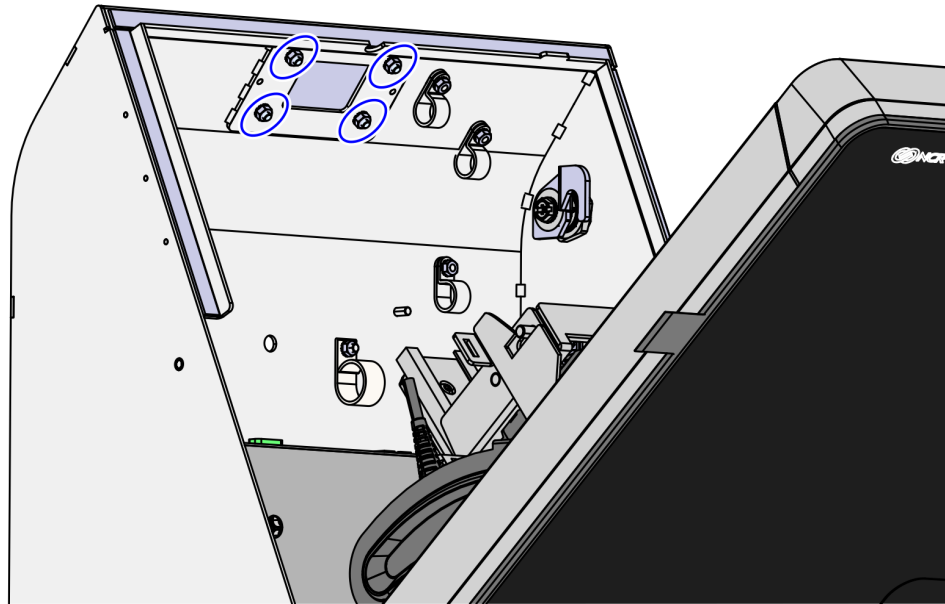
1. Open the Tower Cabinet. For more information, refer to [Opening Tower Cabinet](#) on the previous page.
2. Do the following:
 - Disconnect the DB9/USB Split Cable from the KIO Board, as shown in the image below.



- Disconnect the Display Port Cable from the Terminal Display Port, as shown in the image below.

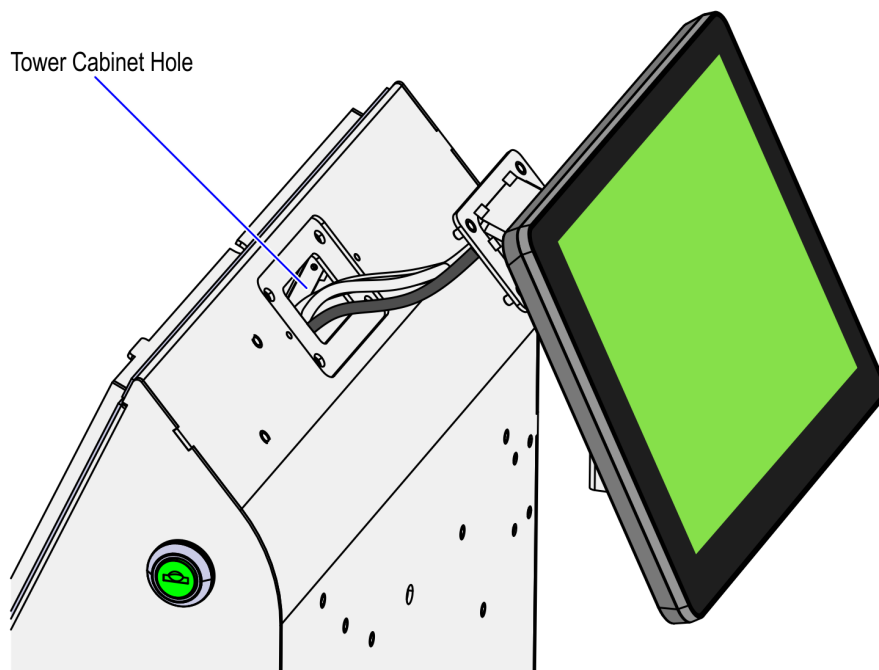


3. Remove four (4) nuts securing the Secondary Display while holding the assembly.



CCP-74468

4. Detach the Secondary Display assembly while pulling out the cables through the Tower Cabinet Hole as shown in the image below.



CCP-74469

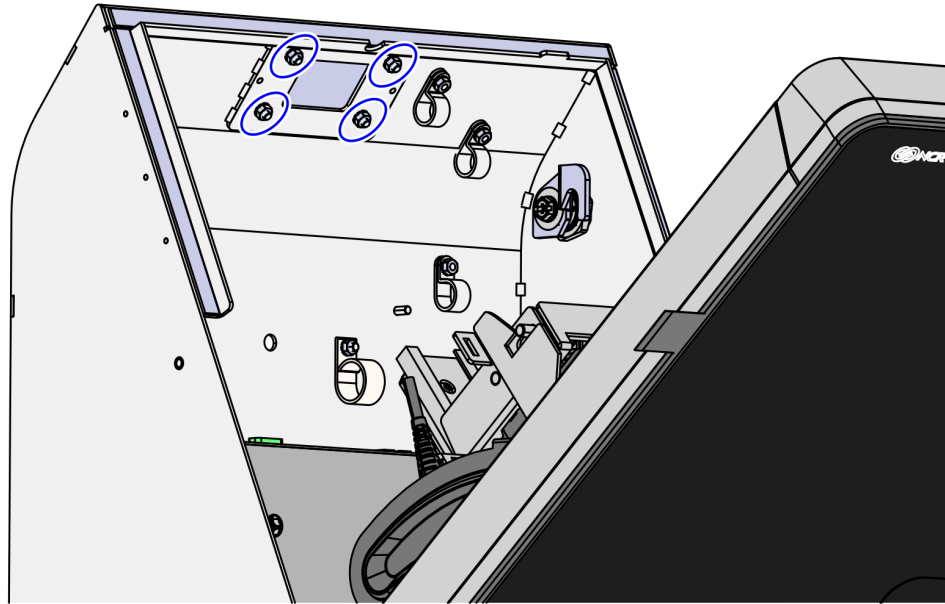
Removing the Secondary Display Blanking Plate

To remove the Secondary Display Blanking Plate from the Tower Cabinet, follow these steps:

1. Open the Tower Cabinet. For more information, refer to [Opening Tower Cabinet](#) on page 4.
2. Remove four (4) nuts securing the Secondary Display Blanking.



Note: Set aside these screws for reinstallation.



CCP-74468

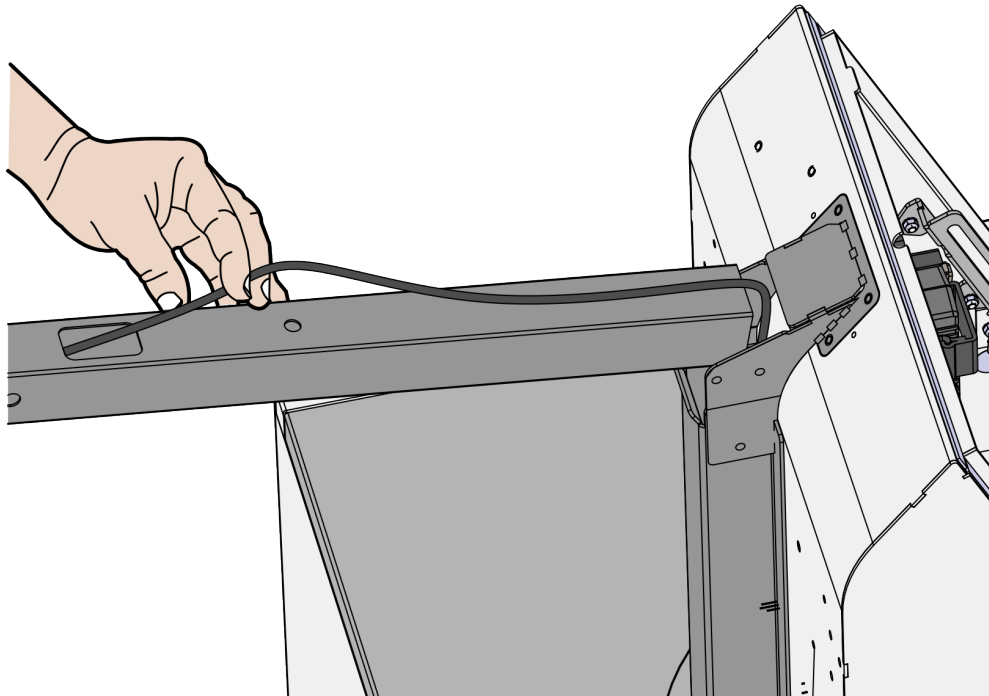
Installing Tri-Light/Lane Light Pole

To install the Tri-Light/Lane Light pole, follow these steps:

1. Insert the Tri-Light/Lane Light cables through the opening on the side of the Tri-Light/Lane Light pole and route it out the top of the pole.



Tip: To make routing the cables through the pole easier, first attach a weight (for example, a large bolt) to a long piece of string and drop the weighted end of the string through the Tri-Light/Lane Light pole. Once the string is threaded through the pole, tie the non-weighted end of the string around the cable connector and then pull the cable extender through the pole.

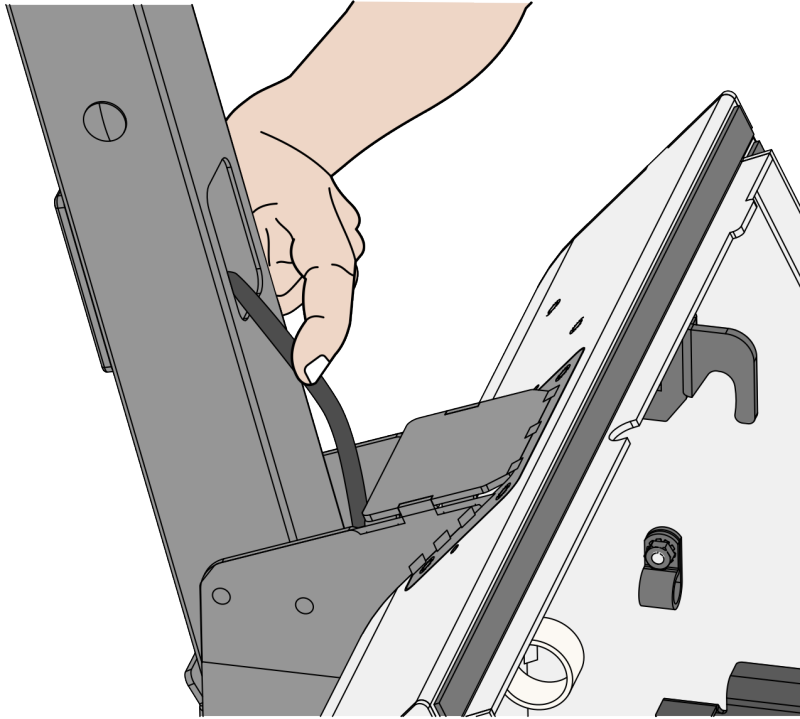


CCP-79643



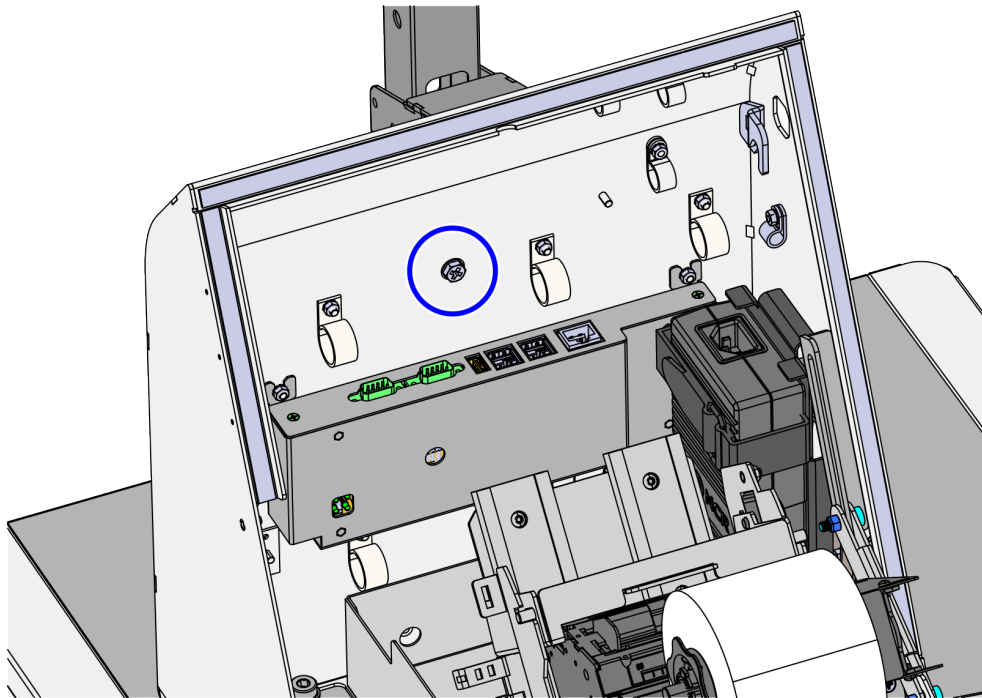
Note: If installing a Secondary Display, route the display cables out of the smaller hole on the back of the pole.

2. Route the cables coming out of the Pole and carefully insert the Pole and cable into the Pole duct.



CCP-79644

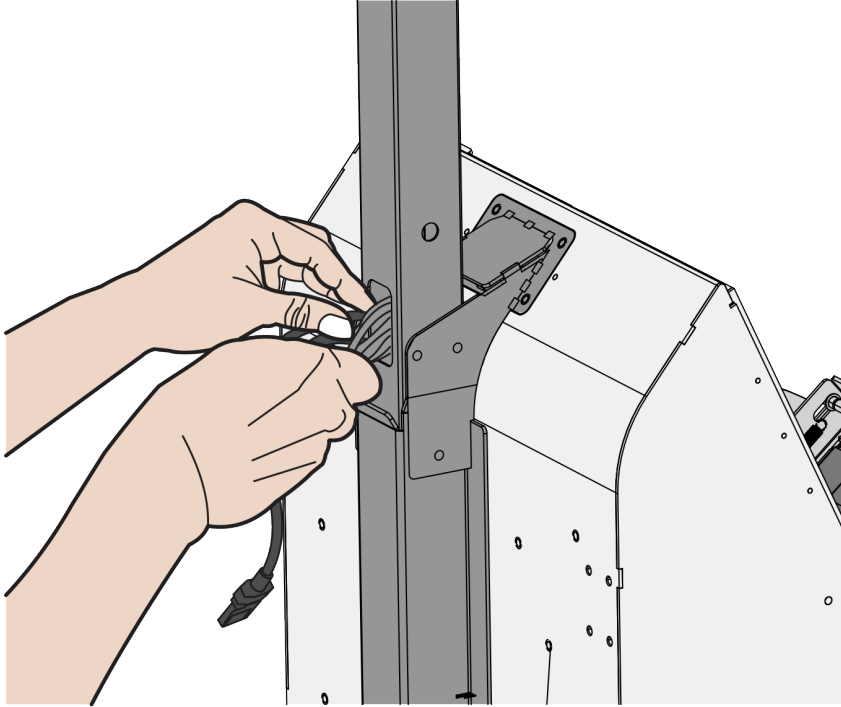
3. Secure the Pole to the Tower Frame using one (1) screw.



CCP-79642

4. Route the Tri-Light/Lane Light cables.

5. Insert excess cable into the opening on the Tri-Light/Lane Light Pole so that the cables will not interfere with any outer items. Insert the excess cables into the opening on the Tri-Light/Lane Light pole so that the cables will not interfere with any outer items.



CCP-79645

6. Install the Tri-Light/Lane Light with Camera Assembly. For more information, refer to *NCR FastLane SelfServ™ Checkout (7364) Hardware Service Guide (BCC%-0000-5302)*.

