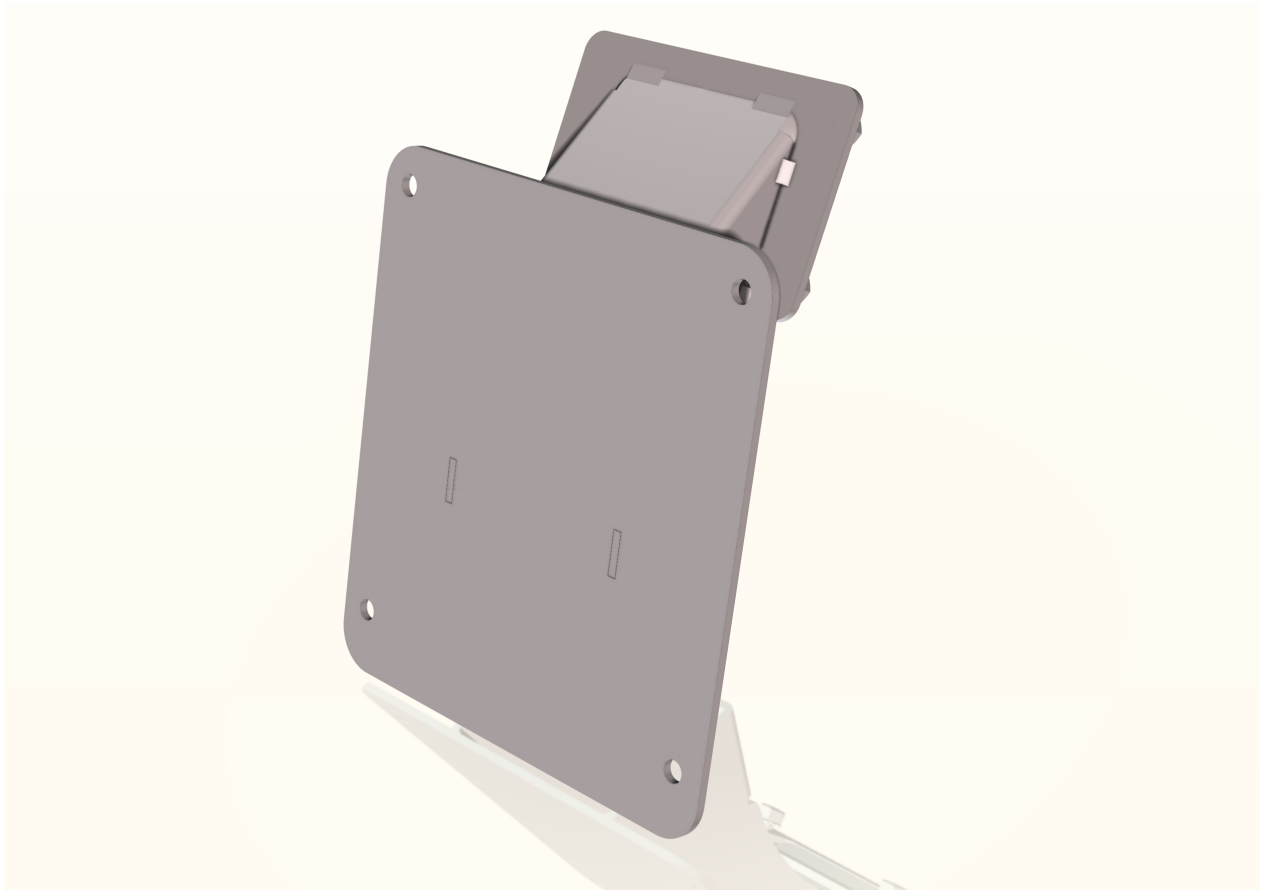


Kit Instructions

Second Display Mount



7364-K015
Issue A



The product described in this document is a licensed product of NCR Corporation.

NCR is a registered trademark of NCR Corporation. NCR FastLane SelfServ™ Checkout is a trademark of NCR Corporation in the United States and/or other countries. Other product names mentioned in this publication may be trademarks or registered trademarks of their respective companies and are hereby acknowledged.

Where creation of derivative works, modifications or copies of this NCR copyrighted documentation is permitted under the terms and conditions of an agreement you have with NCR, NCR's copyright notice must be included.

It is the policy of NCR Corporation (NCR) to improve products as new technology, components, software, and firmware become available. NCR, therefore, reserves the right to change specifications without prior notice.

All features, functions, and operations described herein may not be marketed by NCR in all parts of the world. In some instances, photographs are of equipment prototypes. Therefore, before using this document, consult with your NCR representative or NCR office for information that is applicable and current.

To maintain the quality of our publications, we need your comments on the accuracy, clarity, organization, and value of this book. Please use the link below to send your comments.

Email: FD230036@ncr.com

Copyright © 2018
By NCR Corporation
864 Spring St. NW
Atlanta, GA 30308
United States
All Rights Reserved

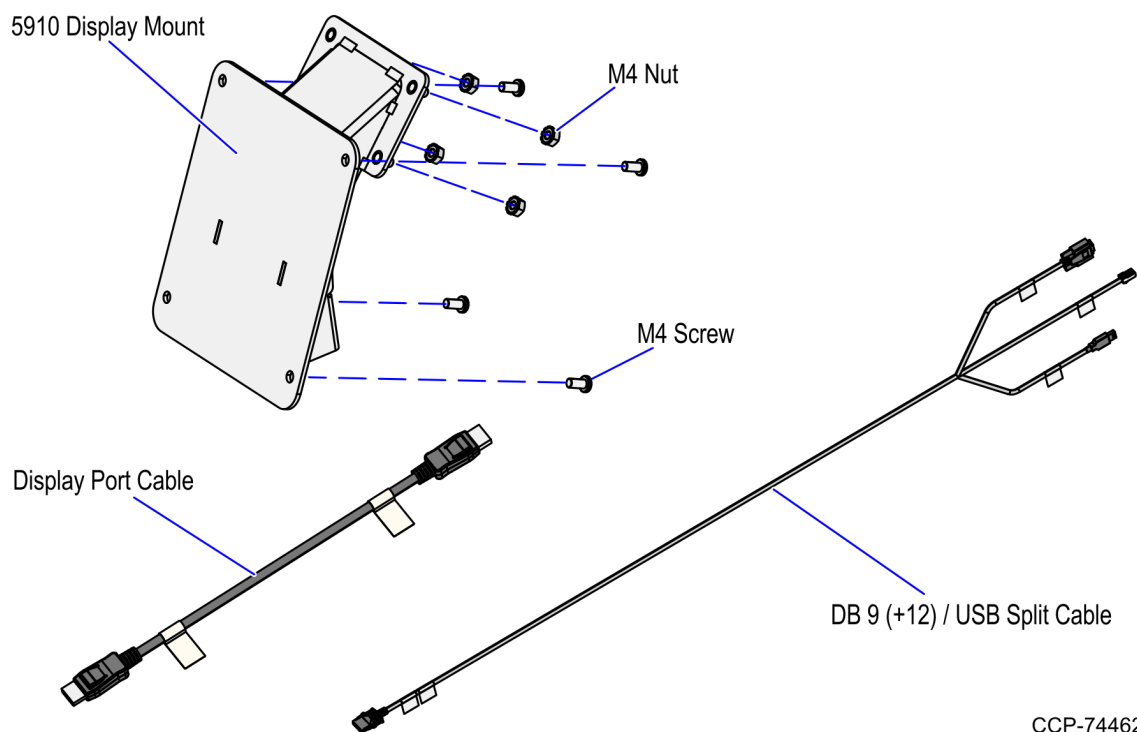
Revision Record

Issue	Date	Remarks
A	Dec 2018	First Issue

Second Display Mount

This publication provides procedures for installing a Second Display Mount on an NCR FastLane SelfServ™ Checkout (7364) R6-G unit.

Kit Contents



CCP-74462

Part Number	Description
497-0522536	7364-K015 Second Display Mount
795-0267101	5910 Display Mount
497-0512559	Display Port Cable
497-0521788	DB 9 (+12) / USB Split Cable
006-8611753	M4 Nut (4pcs)
006-8615964	M4 Screw (4pcs)

Installation Procedure

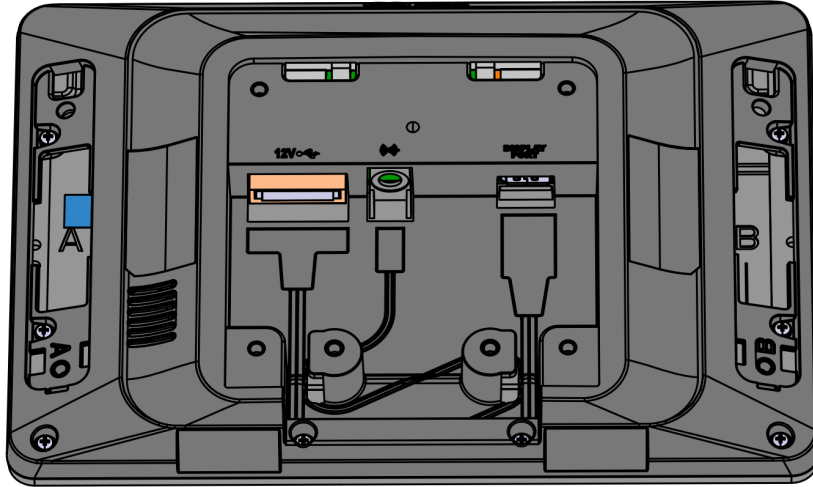
Installing the Second Display Mount on an R6-G unit involves the following procedures:

- A. Installing the Second Display Mount on the Second Display unit. For more information, refer to [*Installing the Second Display Mount*](#) on the facing page.
- B. Installing the Second Display Assembly on the Tower Cabinet. For more information, refer to [*Installing the Second Display Assembly*](#) on page 5.

Installing the Second Display Mount

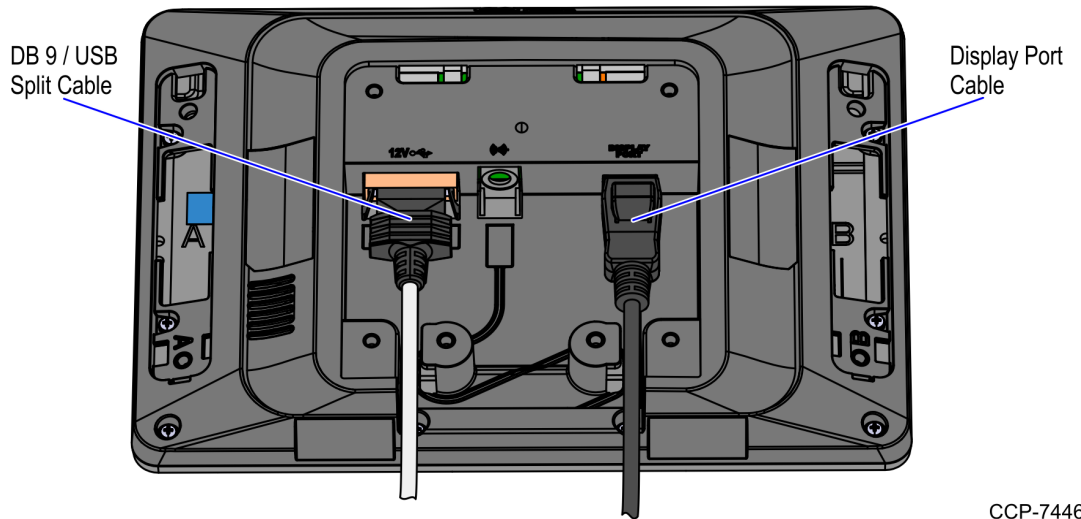
To install the Second Display Mount on the Second Display unit, follow these steps:

1. Place the Second Display on a flat surface with the back facing up as shown in the image below.



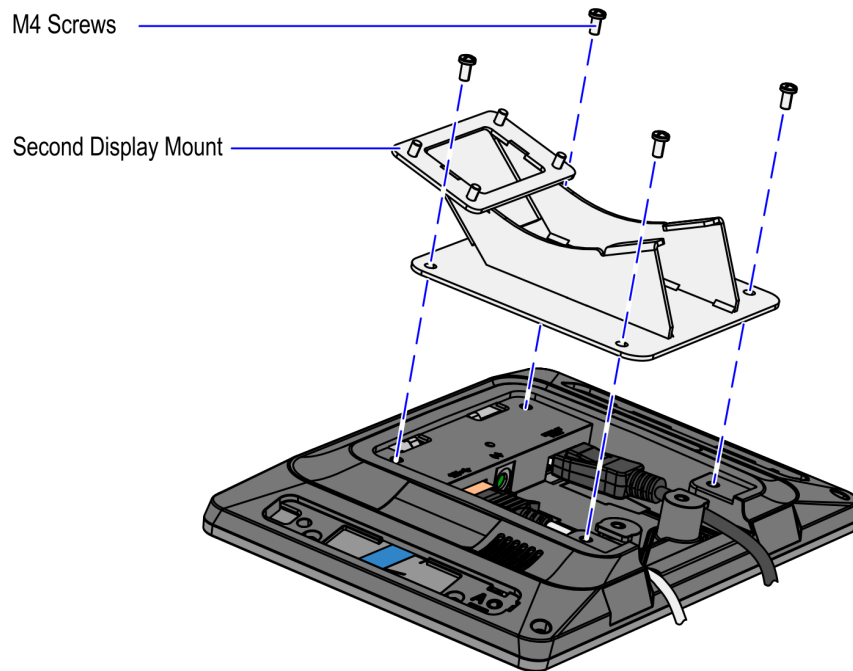
CCP-74463

2. Connect the DB9 / USB Split Cable and Display Port Cable as shown in the image below.



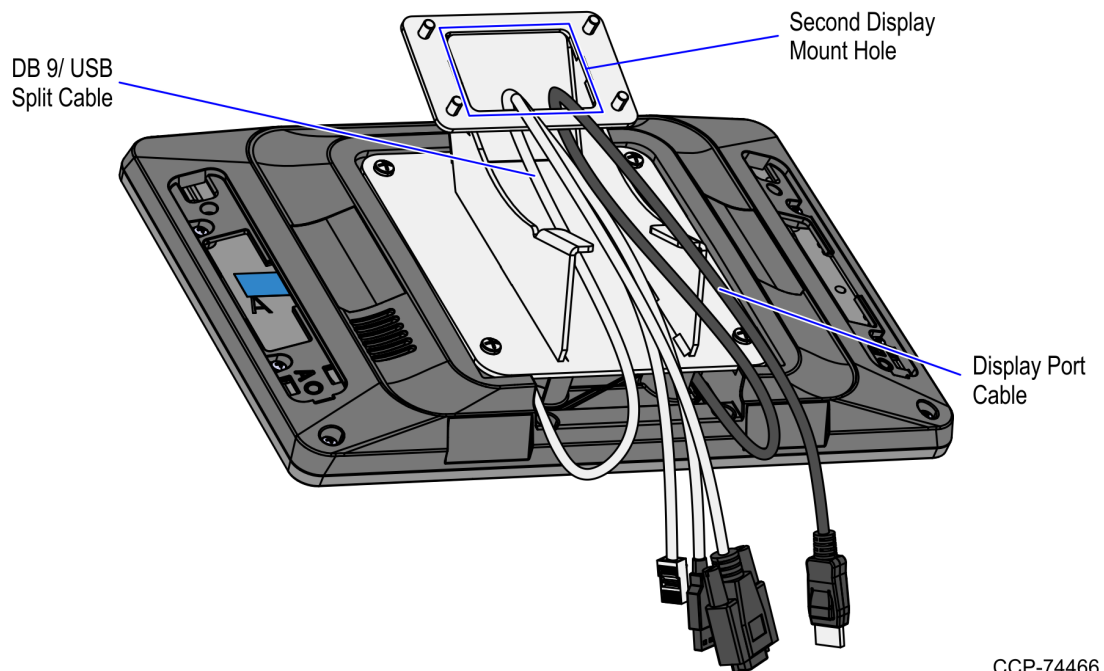
CCP-74464

3. Install and secure the Second Display Mount on the back of the Second Display unit using four M4 Screws.



CCP-74465

4. Route the cables through the Second Display Mount hole as shown in the image below.



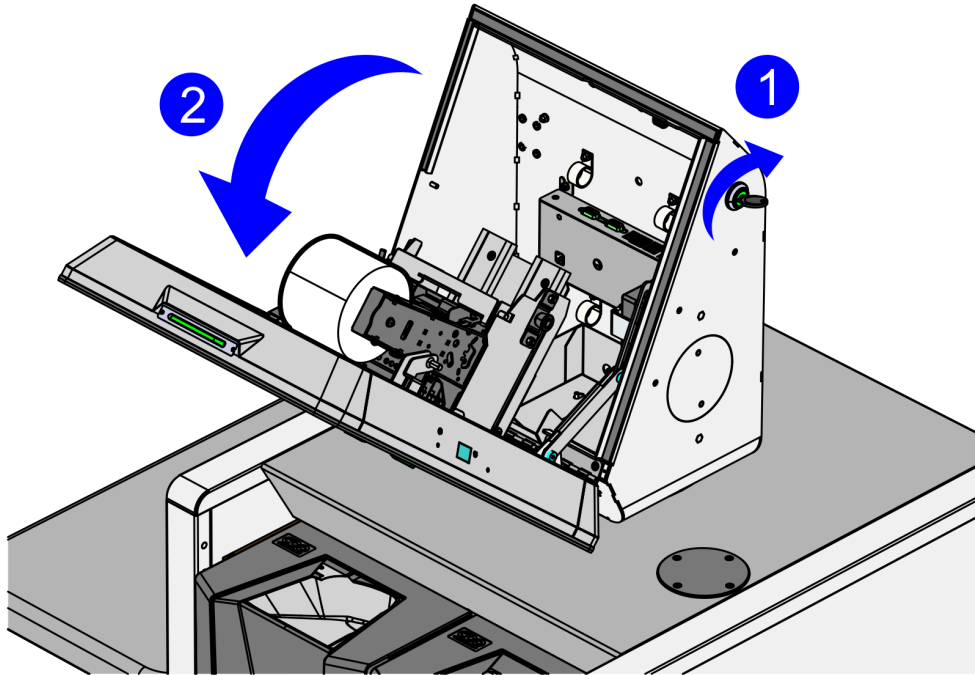
CCP-74466

5. Install the Second Display Assembly to the Tower Cabinet. For more information, refer to [Installing the Second Display Assembly](#) on the facing page.

Installing the Second Display Assembly

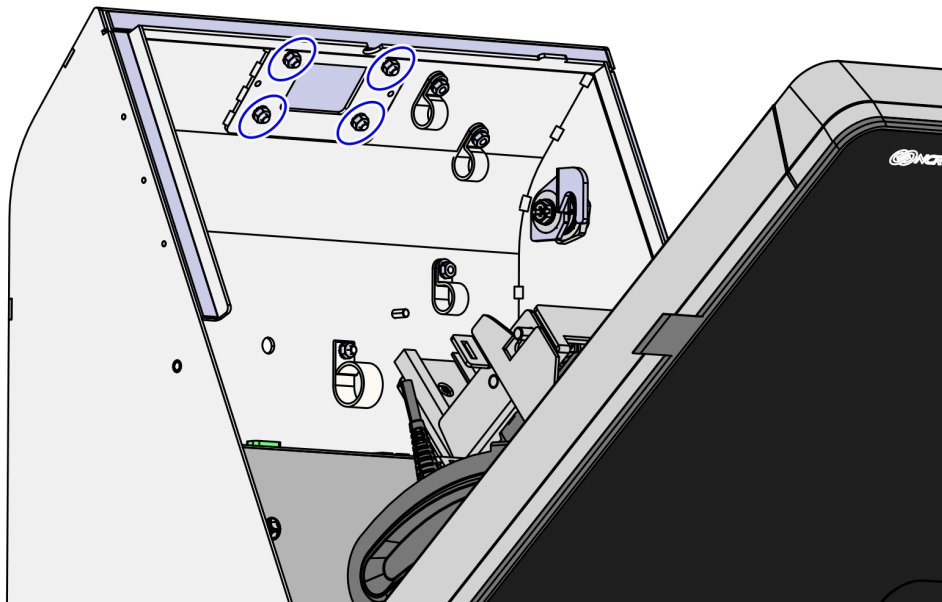
To install the Second Display Assembly on the Tower Cabinet, follow these steps:

1. Install the Second Display Mount on the Second Display unit. For more information, refer to [Installing the Second Display Mount](#) on page 3.
2. Insert the key into the Tower Cabinet keylock, turn the key clockwise, and then carefully open the Terminal Display.



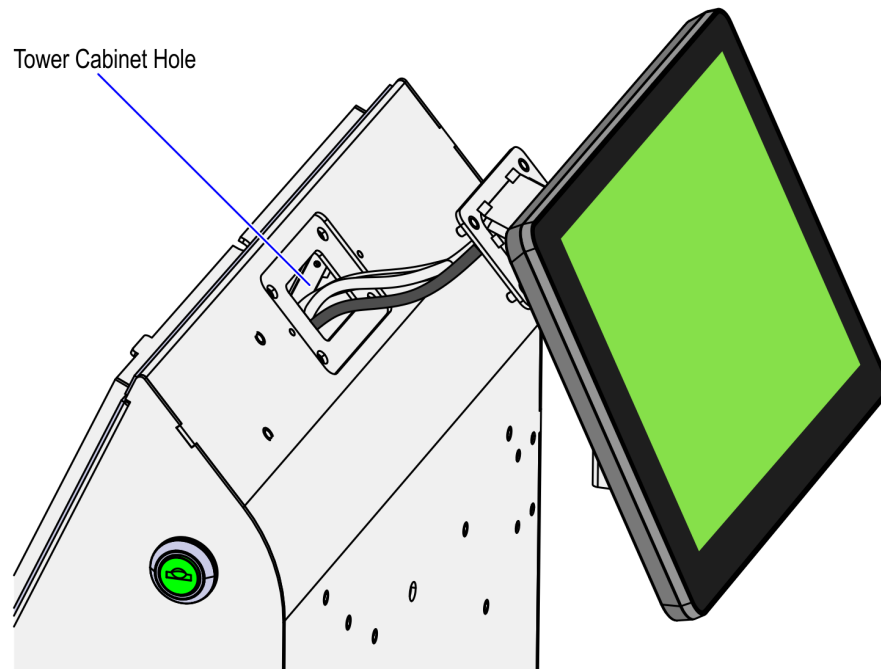
CCP-74467

3. Remove four nuts securing the Second Display Blanking.



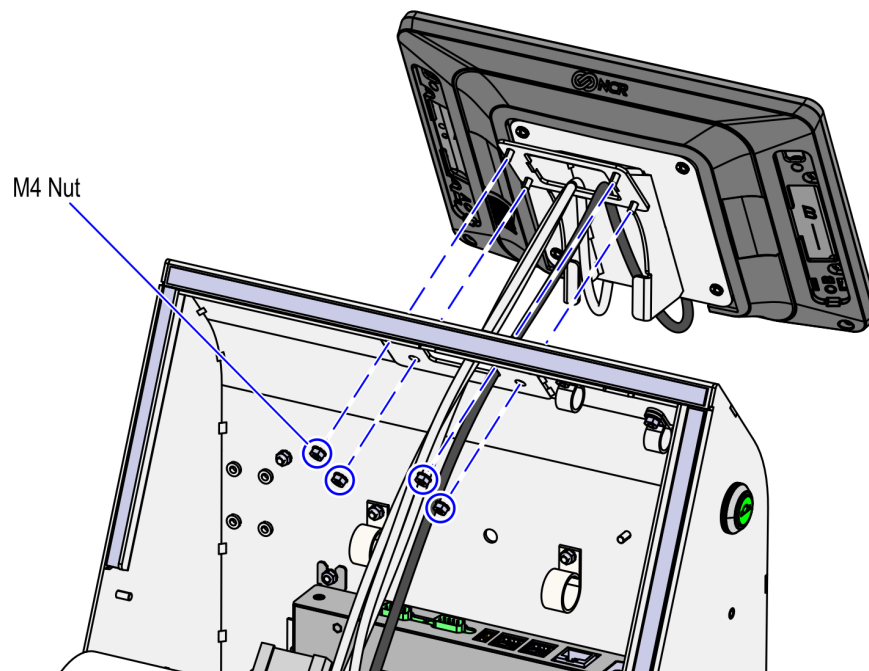
CCP-74468

4. Insert the Second Display cables through the Tower Cabinet hole as shown in the image below.



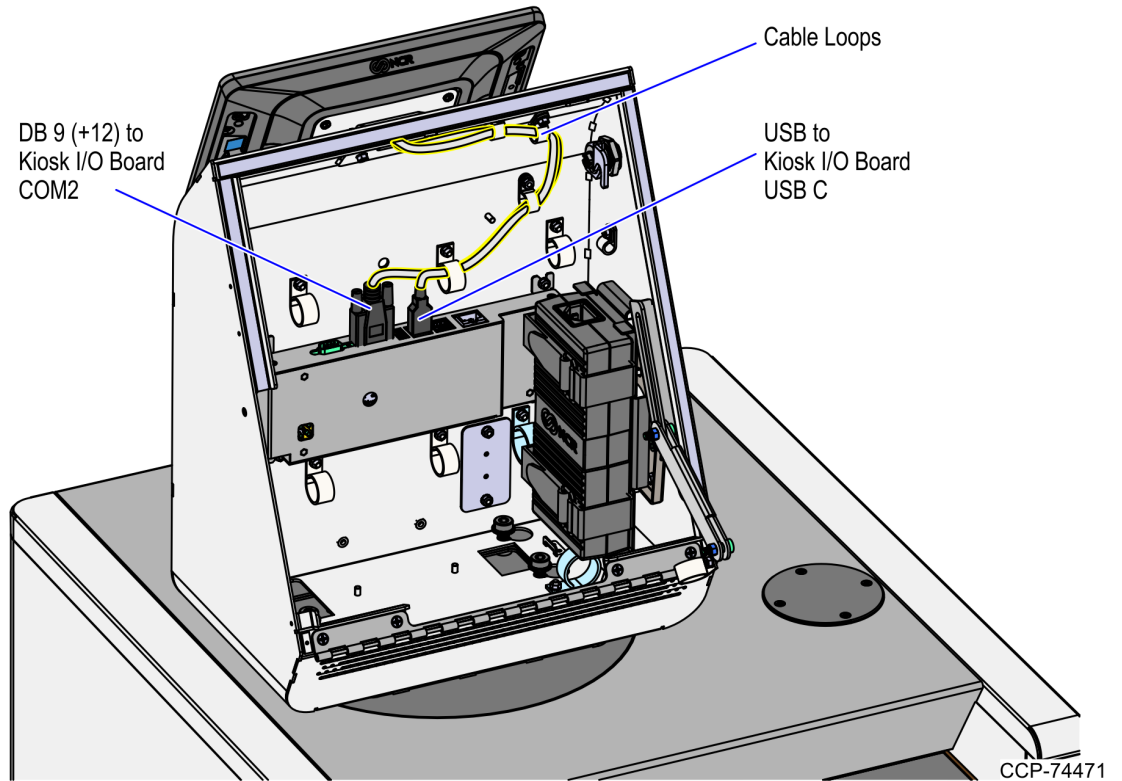
CCP-74469

5. Install and secure the Second Display Assembly on the Tower Cabinet using four M4 nuts.



CCP-74470

6. Route the DB9 / USB Split Cable through cable loops and then connect to the Kiosk I/O Board as shown in the image below.



7. Route the Display Port Cable through cable loops and then connect to the Terminal Display Port. Ensure that cables are secured with cable ties as shown in the image below.

