

Kit Instructions

Cosmetic Door Knob



7362-K151/K152
Issue B



The product described in this document is a licensed product of NCR Corporation.

NCR is a registered trademark of NCR Corporation. NCR FastLane SelfServ™ Checkout is a trademark of NCR Corporation in the United States and/or other countries. Other product names mentioned in this publication may be trademarks or registered trademarks of their respective companies and are hereby acknowledged.

The terms HDMI and HDMI High-Definition Multimedia Interface, and the HDMI Logo are trademarks or registered trademarks of HDMI Licensing LLC in the United States and other countries.

Where creation of derivative works, modifications or copies of this NCR copyrighted documentation is permitted under the terms and conditions of an agreement you have with NCR, NCR's copyright notice must be included.

It is the policy of NCR Corporation (NCR) to improve products as new technology, components, software, and firmware become available. NCR, therefore, reserves the right to change specifications without prior notice.

All features, functions, and operations described herein may not be marketed by NCR in all parts of the world. In some instances, photographs are of equipment prototypes. Software screen images are representative, and in some cases, may not match a customer's installed software exactly. Therefore, before using this document, consult with your NCR representative or NCR office for information that is applicable and current.

To maintain the quality of our publications, we need your comments on the accuracy, clarity, organization, and value of this book. Please use the link below to send your comments.

Email: FD230036@ncr.com

Copyright © 2018—2019

By NCR Corporation

Global Headquarters

864 Spring St. NW

Atlanta, GA 30308

United States

All Rights Reserved

Revision Record

Issue	Date	Remarks
A	Aug 2018	First Issue
B	Aug 2019	Added to IP Kit Repository site with HTML version.

Cosmetic Door Knob

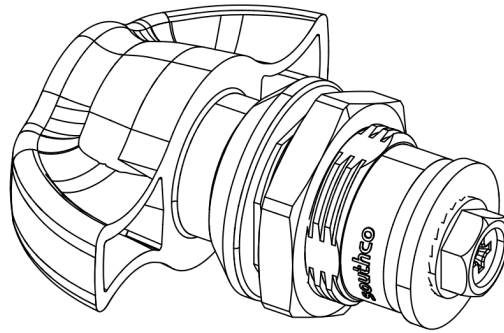
This publication provides procedures for installing a Cosmetic Door Knob in an NCR FastLane SelfServ™ Cash Tender Module (7362) unit.

Kit Contents

Depending on the type of Cosmetic Door Knob, refer to the following sections for information about kit contents:

- [*7362-K151 Cosmetic Door Knob \(No Lock\)*](#) on the next page.
- [*7362-K152 Cosmetic Door Knob \(With Lock\)*](#) on page 3.

7362-K151 Cosmetic Door Knob (No Lock)



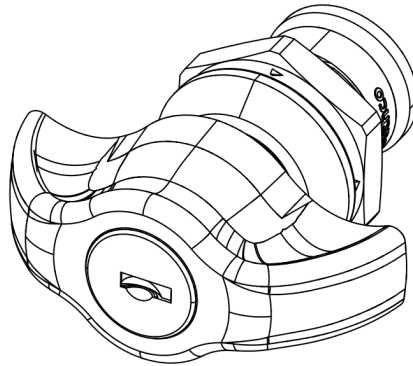
Wing Knob CTM Non Locking

CCP-77206

Part Number	Description
497-0522142	7362-K151 Kit - Cosmetic Door Knob No Lock
006-8627083	Wing Knob CTM Non Locking
* 497-0423108	Instructions Kit (Reference Sheet)

* Items marked with an asterisk are not called out on the image.

7362-K152 Cosmetic Door Knob (With Lock)



Wing Knob CTM Locking

CCP-77217

Part Number	Description
497-0523338	7362-K152 Kit - Cosmetic Door Knob With Lock
006-8627084	Wing Knob CTM Locking with 2 keys
* 497-0423108	Instructions Kit (Reference Sheet)

* Items marked with an asterisk are not called out on the image.

Required Tools

The following tools are required for installing the Cosmetic Door Knob.

- Phillips Screw Driver #2
- 27 mm Socket Head Driver



Note: Use a magnetized screwdriver to easily handle the screws.

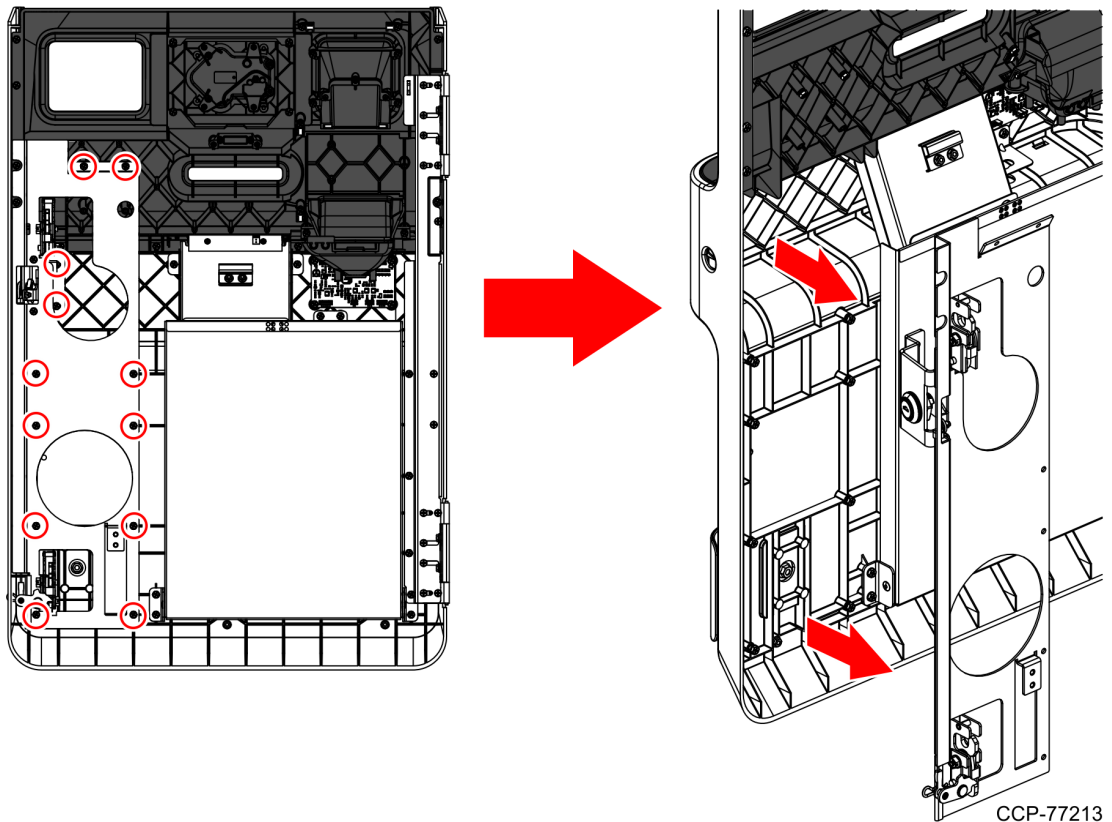
Installation Procedures

To install the Cosmetic Door Knob, follow these steps:

1. Unlock and then open the NCR FastLane SelfServ™ Cash Tender Module (7362) Cosmetic Door using a key.
2. Remove the twelve (12) screws securing the door brace to the Cosmetic Door.



Note: Ensure to set aside the removed screws. These will be reused when installing the door brace.



3. Remove the existing lock mechanism. For more information, refer to [Removing Existing Lock Mechanism](#) on the next page.
4. Install the new Cosmetic Door Knob. For more information, refer to [Installing Cosmetic Door Knob](#) on page 8.

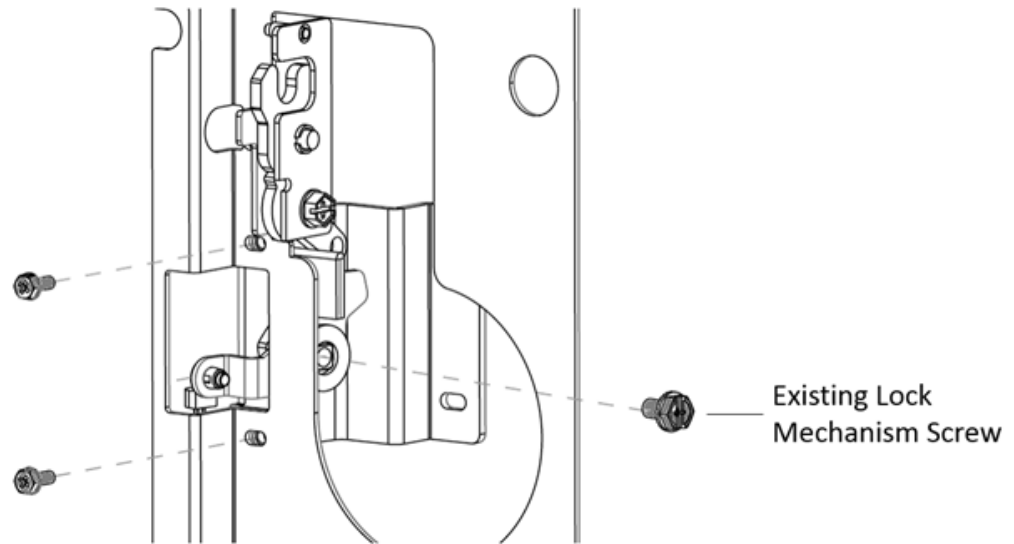
Removing Existing Lock Mechanism

To remove the existing lock mechanism, follow these steps:

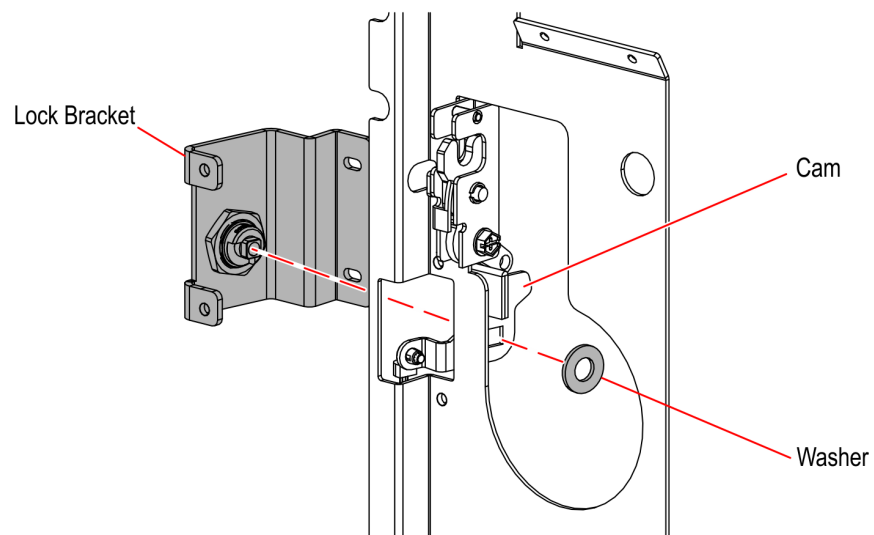


Note: Ensure to set aside the removed screws. These will be reused when installing the Cosmetic Door.

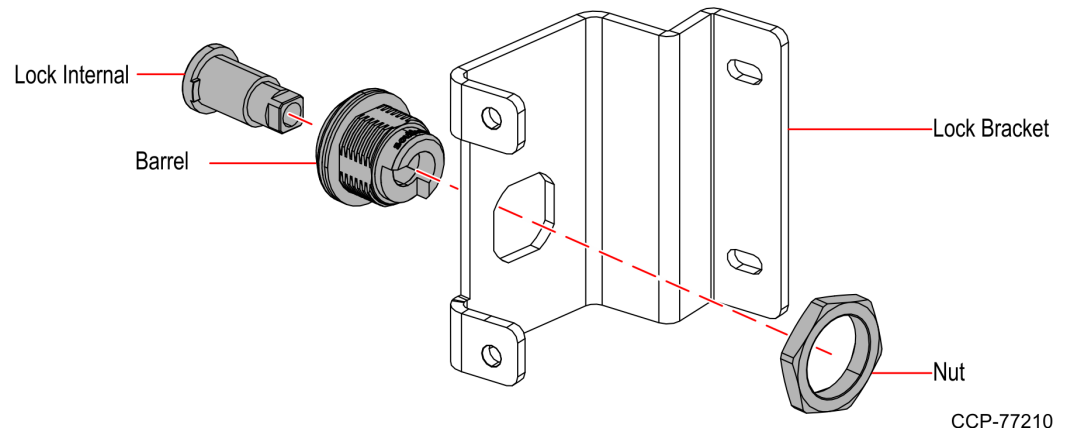
1. Remove the lock mechanism screw and the two (2) screws securing the lock bracket to the door brace.



2. Remove the washer securing lock bracket to the Cam.



3. Remove the existing lock mechanism from the lock bracket by doing the following:
 - a. Remove the nut securing the barrel to the lock bracket.
 - b. Remove and dispose the existing lock internal, barrel and nut.

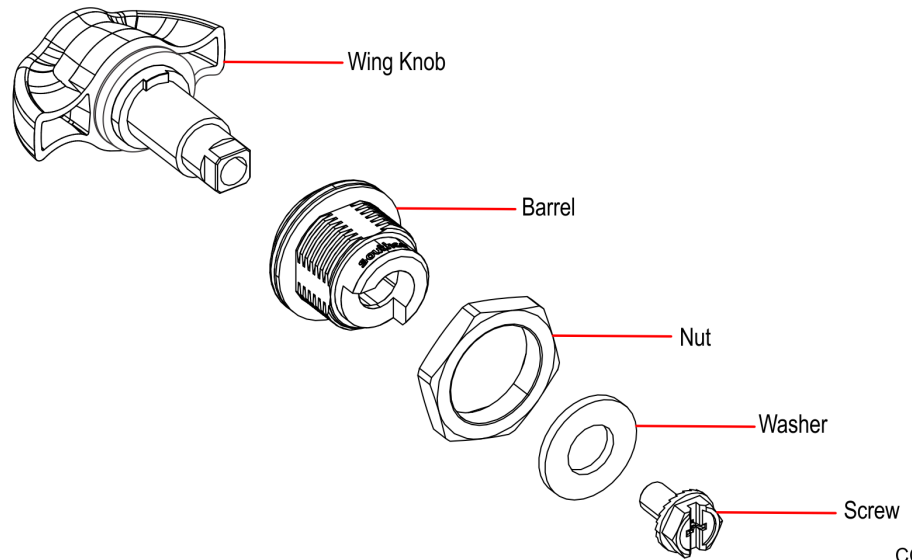


CCP-77210

Installing Cosmetic Door Knob

To install the Cosmetic Door Knob, follow these steps:

1. Disassemble the Cosmetic Door Knob kit by doing the following:
 - a. Remove the screw, washer and nut.
 - b. Pull out the wing knob from the barrel.

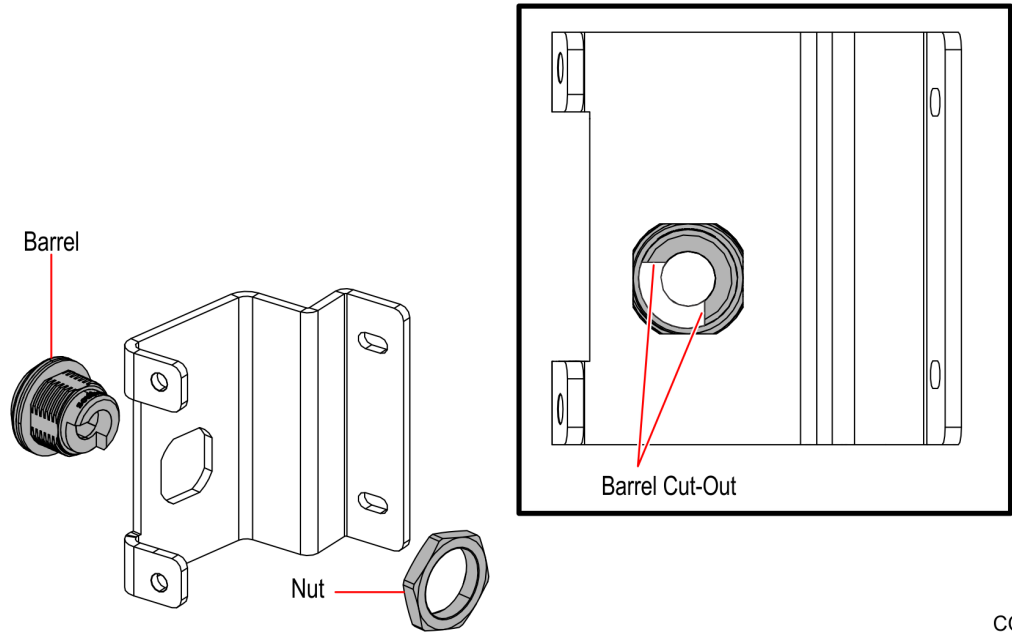


CCP-77211

2. Secure the barrel to the lock bracket using the nut.

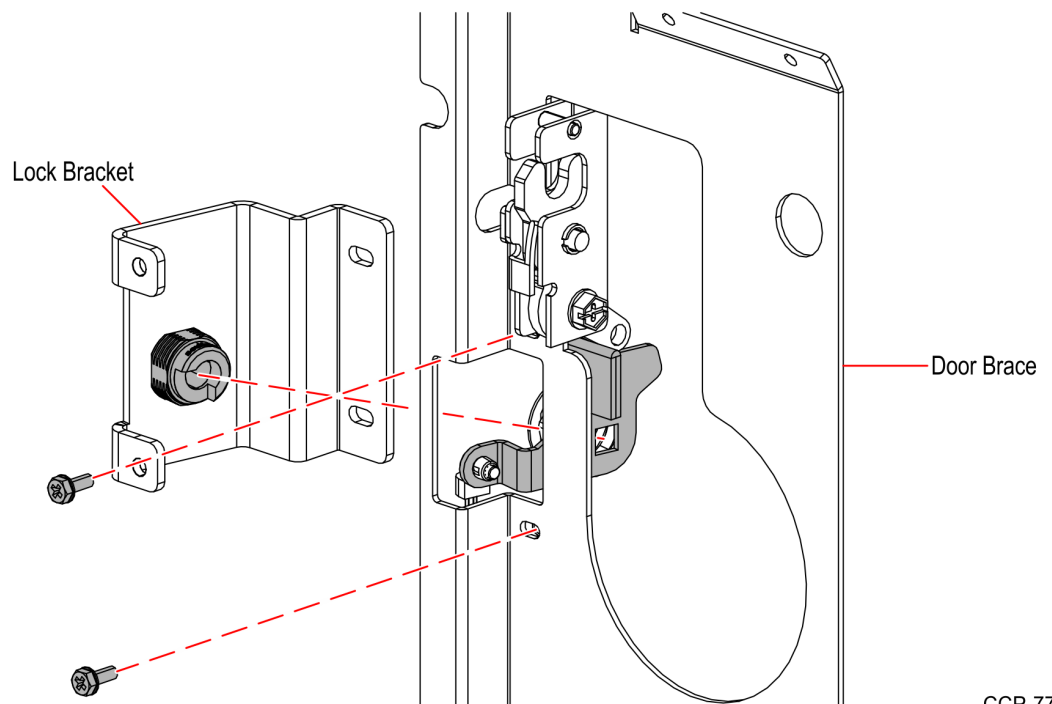


Note: To avoid stripping the threads, **do not overtighten** the nut. Ensure that the barrel is on its proper orientation, as shown in the image below.



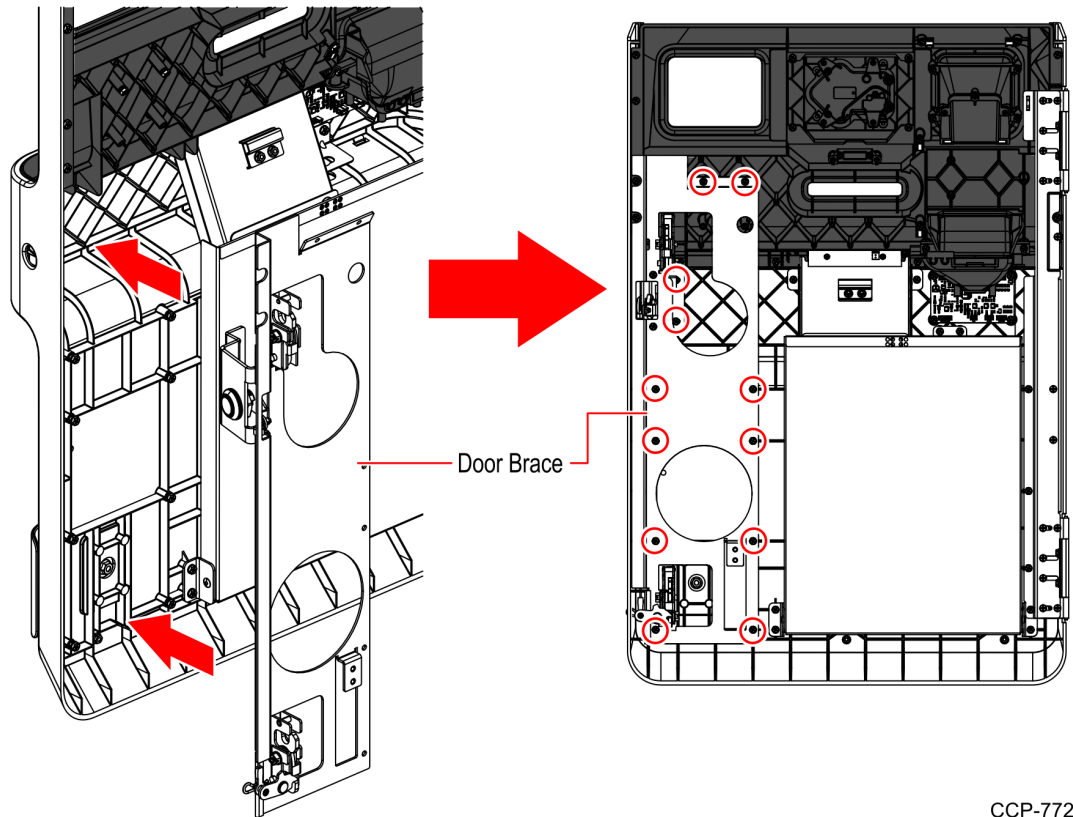
CCP-77212

3. Install the lock bracket to the door brace using two (2) screws.



CCP-77234

4. Secure the door brace to the Cosmetic Door using twelve (12) screws, as shown in the image below.

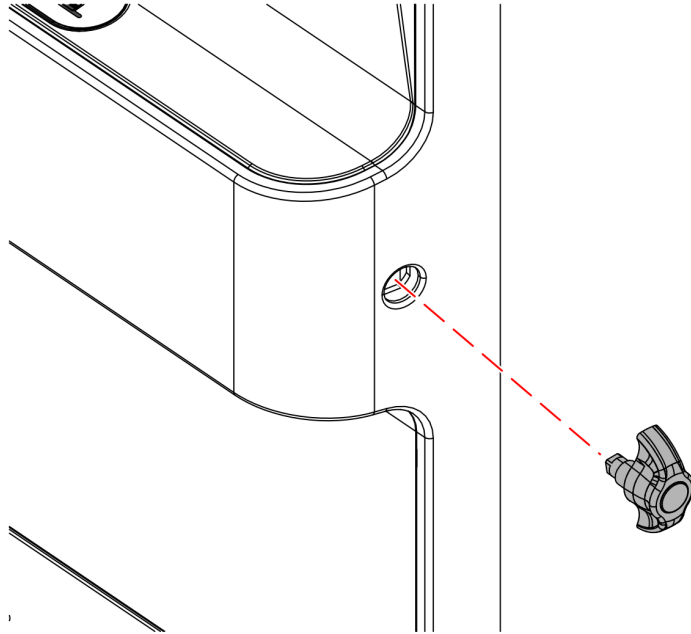


CCP-77207

5. Align and insert the wing knob into the slot of the Cosmetic Door in a vertical position, as shown in the image below.



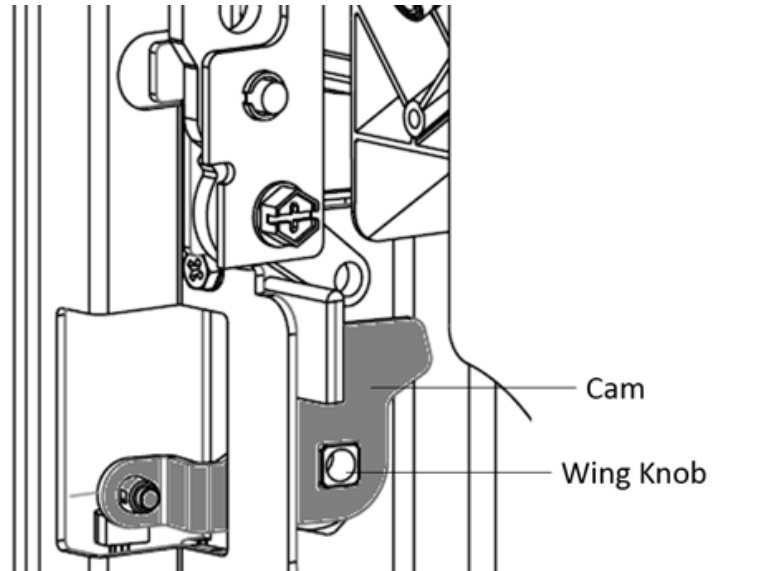
Note: For the purpose of illustration only, the image below shows a Cosmetic Door Knob without lock.



CCP-77214

6. Ensure that the wing knob is on its proper orientation by turning it to the left. If unable to turn the wing knob, do the following:
 - a. Remove the wing knob.
 - b. Rotate the wing knob by 180 degrees.
 - c. Re-insert the wing knob into the slot of the Cosmetic Door.

7. Secure the wing knob in place by doing the following:
 - a. At the back of the Cosmetic Door, align the wing knob to the slot of the Cam.



- b. Secure the wing knob to the Cam using a washer and a screw, as shown in the image below.



Note: To avoid stripping the threads, **do not overtighten** the screw.

