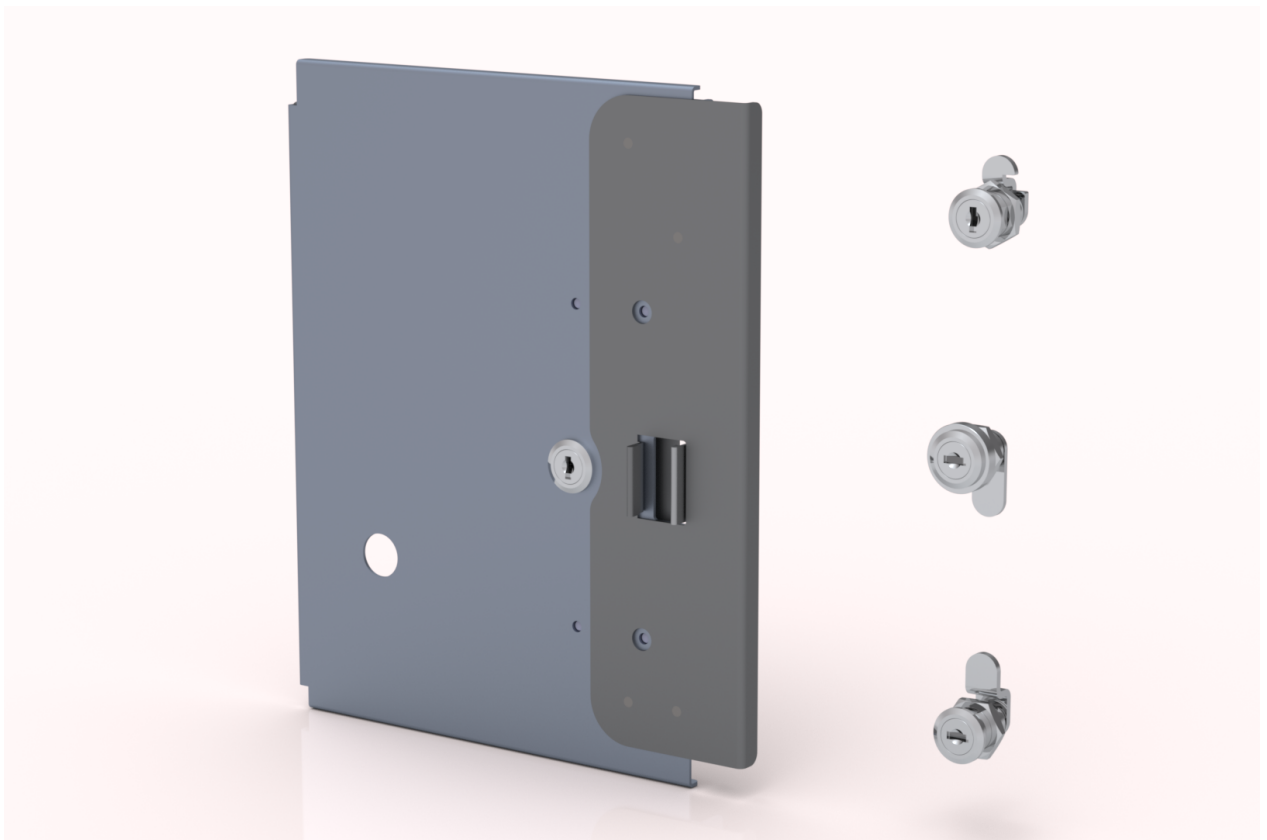


Kit Instructions

GSR50 Note Recycler Locks



7362-K094
Issue C



The product described in this document is a licensed product of NCR Corporation.

NCR is a registered trademark of NCR Corporation. NCR FastLane SelfServ™ (7362) Cash Tender Module is a trademark of NCR Corporation in the United States and/or other countries. Other product names mentioned in this publication may be trademarks or registered trademarks of their respective companies and are hereby acknowledged.

Where creation of derivative works, modifications or copies of this NCR copyrighted documentation is permitted under the terms and conditions of an agreement you have with NCR, NCR's copyright notice must be included.

It is the policy of NCR Corporation (NCR) to improve products as new technology, components, software, and firmware become available. NCR, therefore, reserves the right to change specifications without prior notice.

All features, functions, and operations described herein may not be marketed by NCR in all parts of the world. In some instances, photographs are of equipment prototypes. Therefore, before using this document, consult with your NCR representative or NCR office for information that is applicable and current.

Copyright © 2018-2023

By NCR Corporation

Global Headquarters

864 Spring St. NW

Atlanta, GA 30308

United States

All Rights Reserved

Revision Record

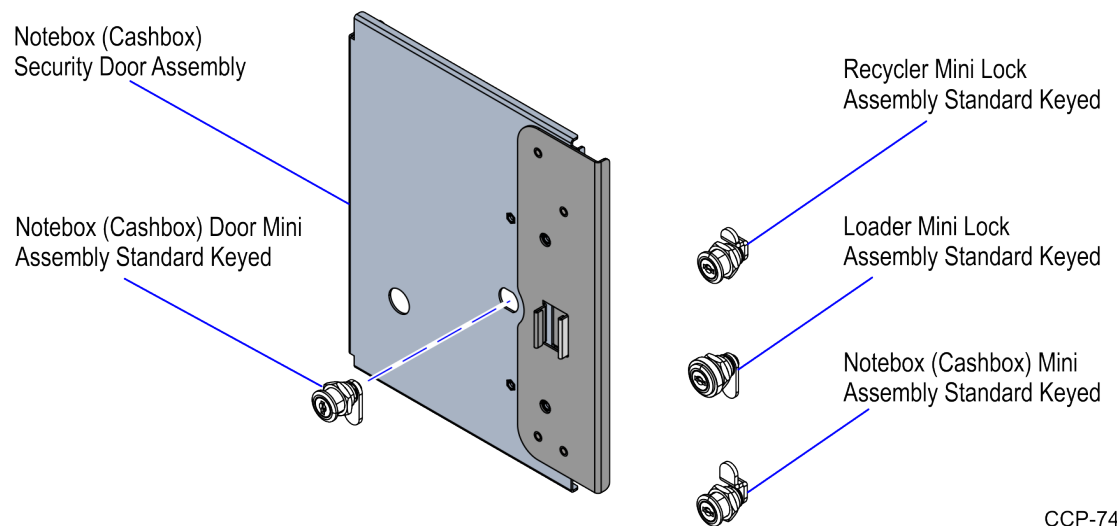
Issue	Date	Remarks
A	Oct 2018	First issue.
B	Apr 2020	Updated Kit Contents.
C	May 2023	<ul style="list-style-type: none">• Modified Installing GSR50 Loader Cassette Lock on page 11.• Added the following sections:<ul style="list-style-type: none">• Removing GSR50 Recycler Stacker Lock on page 3.• Removing GSR50 Loader Cassette Lock on page 8.• Removing GSR50 Notebox (Cashbox) Lock on page 15.• Removing GSR50 Notebox (Cashbox) Security Door on page 19.

GSR50 Note Recycler Locks

This publication provides procedures for installing locks on the GSR50 Note Recycler modules.

Kit Contents

The GSR50 Note Recycler Locks Installation Kit contains the following:



Part Number	Description
497-0527919	7362-K094 GSR50 Note Recycler Locks
497-0524869	Notebox (Cashbox) Security Door Assembly
006-8627781	Loader Mini Lock Assembly Standard Keyed
006-8627782	Recycler Mini Lock Assembly Standard Keyed (3 pcs)
006-8627784	Notebox (Cashbox) Mini Lock Assembly Standard Keyed
006-8627786	Notebox (Cashbox) Door Mini Lock Assembly Standard Keyed
* 497-0423108	Instructions-Kit (Reference Sheet)

* Items marked with an asterisk are not called out on the image.

Installation Procedure

Installing the locks on the GSR50 Note Recycler modules involves the following procedures:



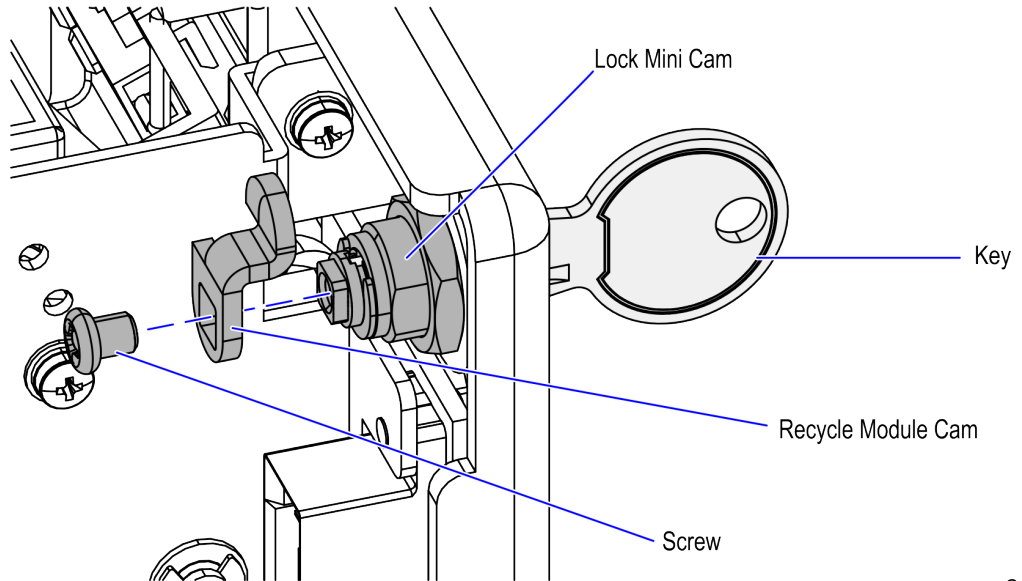
Note: It is highly recommended to use screw and nut drivers with torque limiter.

- [Removing GSR50 Recycler Stacker Lock](#) on the facing page.
- [Installing GSR50 Recycler Stacker Lock](#) on page 5
- [Removing GSR50 Loader Cassette Lock](#) on page 8.
- [Installing GSR50 Loader Cassette Lock](#) on page 11.
- [Removing GSR50 Notebox \(Cashbox\) Lock](#) on page 15.
- [Installing GSR50 Notebox \(Cashbox\) Lock](#) on page 17.
- [Removing GSR50 Notebox \(Cashbox\) Security Door](#) on page 19.
- [Installing GSR50 Notebox \(Cashbox\) Security Door](#) on page 22.

Removing GSR50 Recycler Stacker Lock

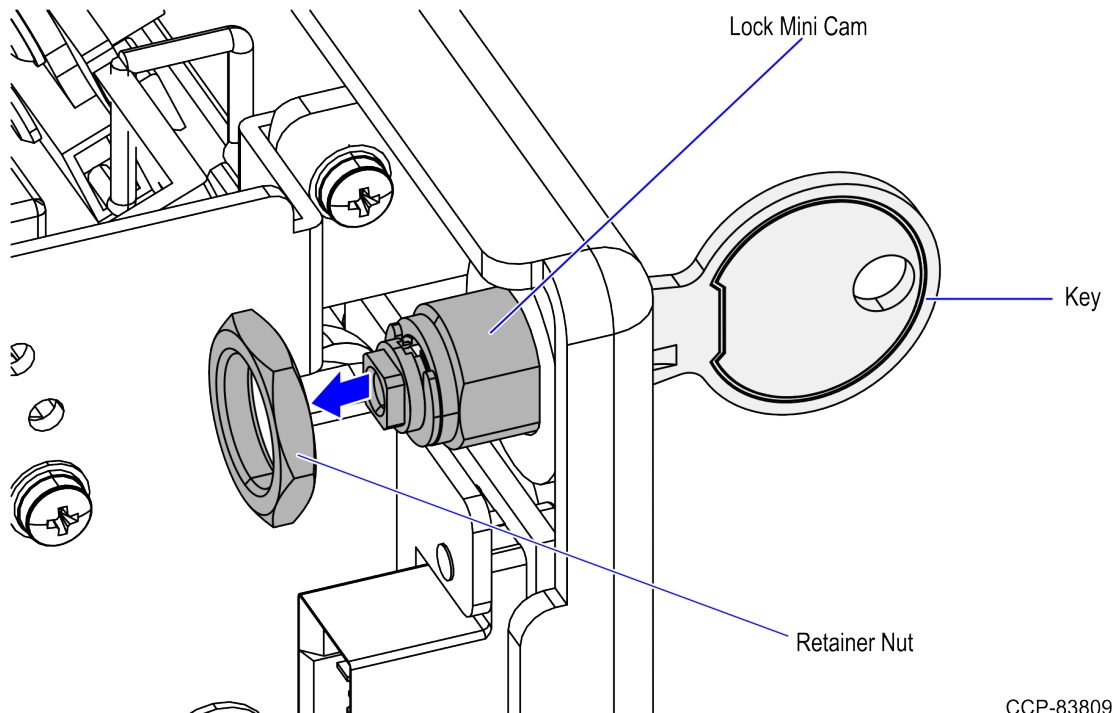
To remove the GSR50 Recycler Stacker lock, follow these steps:

1. Loosen and remove the screw to detach the Recycler Module Cam from the lock assembly.



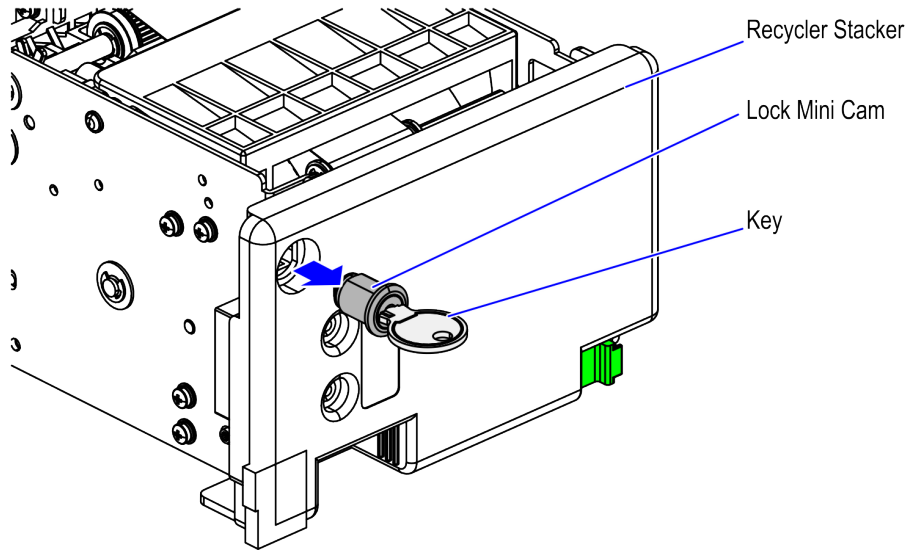
CCP-83807

2. Loosen and remove the retainer nut from the Lock Mini Cam.



CCP-83809

3. Pull out the Lock Mini Cam and Key from the Recycler Frame.

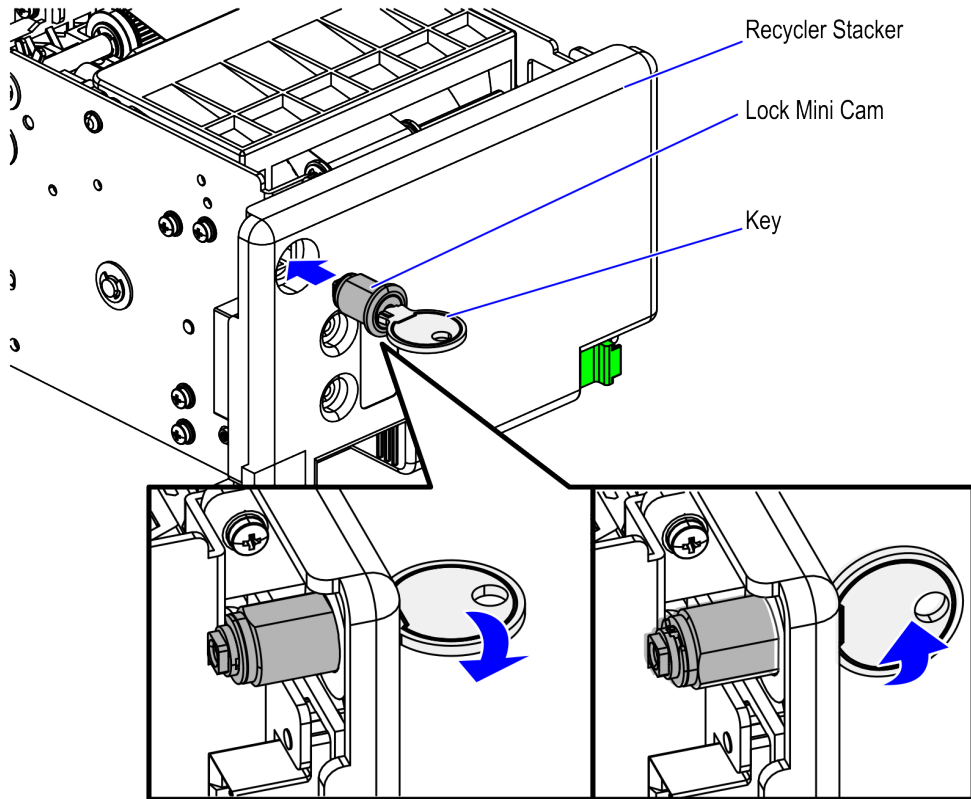


CCP-83808

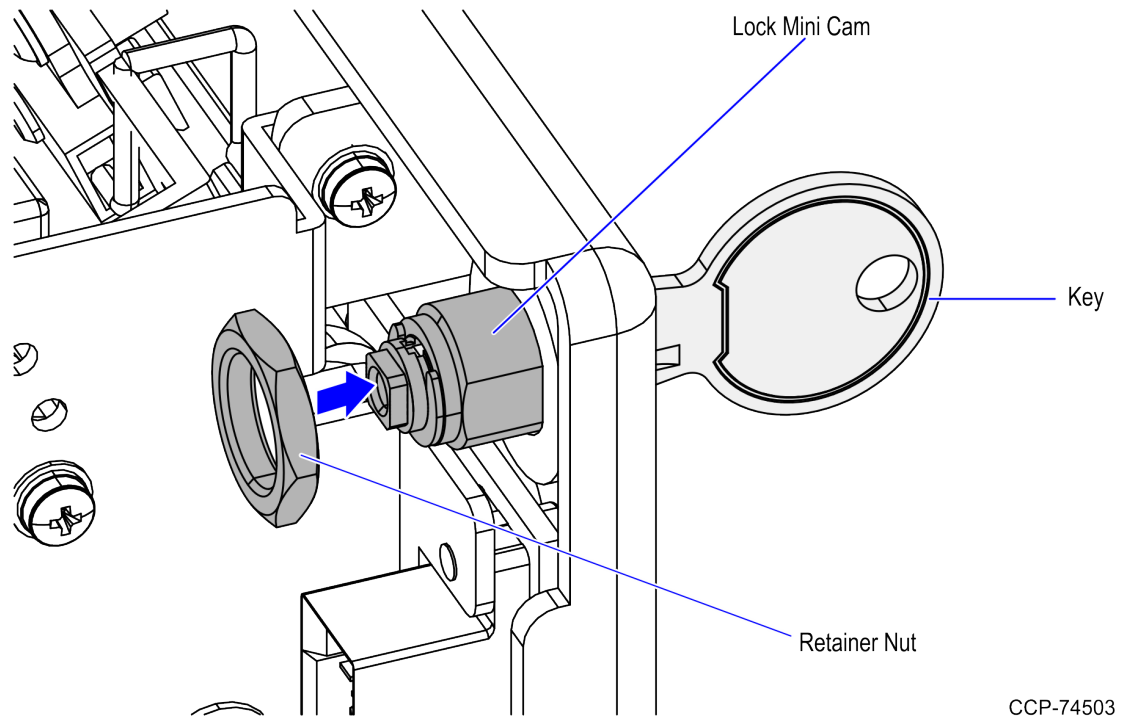
Installing GSR50 Recycler Stacker Lock

To install the GSR50 Recycler Stacker lock, follow these steps:

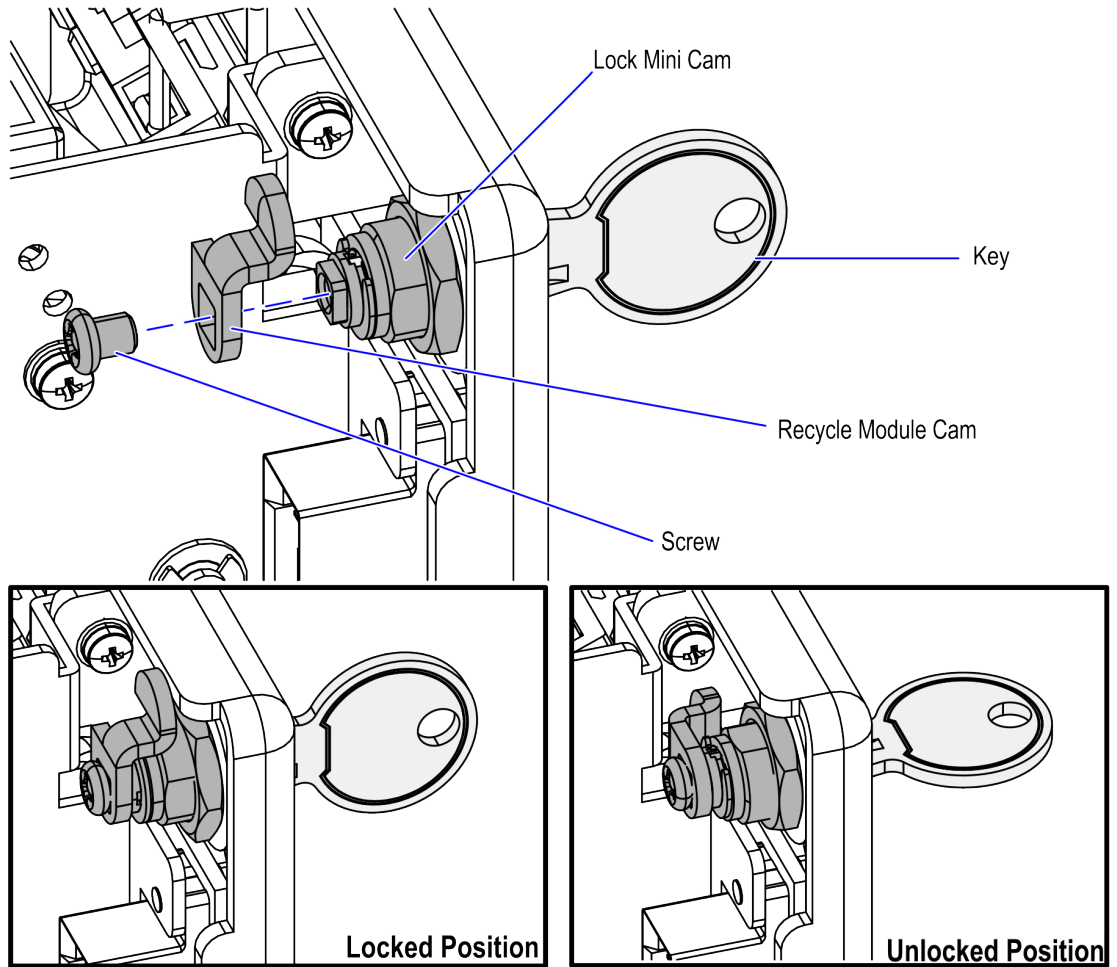
1. Remove the existing GSR50 Recycler Stacker Lock, if necessary. For more information, refer to [Removing GSR50 Recycler Stacker Lock](#) on page 3.
2. Insert the Lock Mini Cam to the Recycler frame using a key in a horizontal position as shown in the image below. Ensure that the key can rotate to 1/4 turn counter clockwise as shown in the image below.



- Secure the Lock Mini Cam using a retainer nut and torque the nut to 4Nm or 35in/lbs.



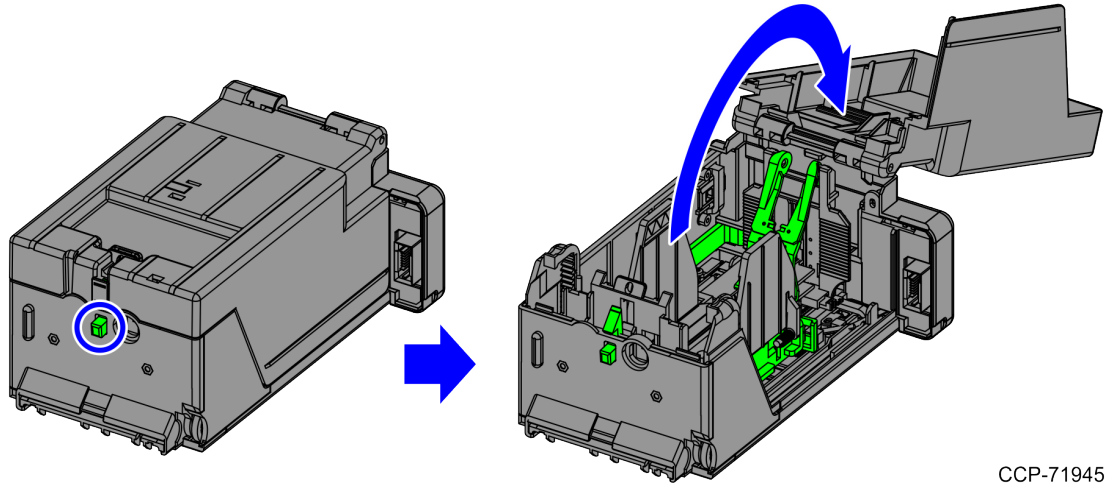
4. Attach the Recycler Module Cam in a vertical position to the Lock Mini Cam using a screw and torque the screw to 4Nm or 35 in/lbs. Note the orientation of the cam in relation to the key position as shown in the image below.



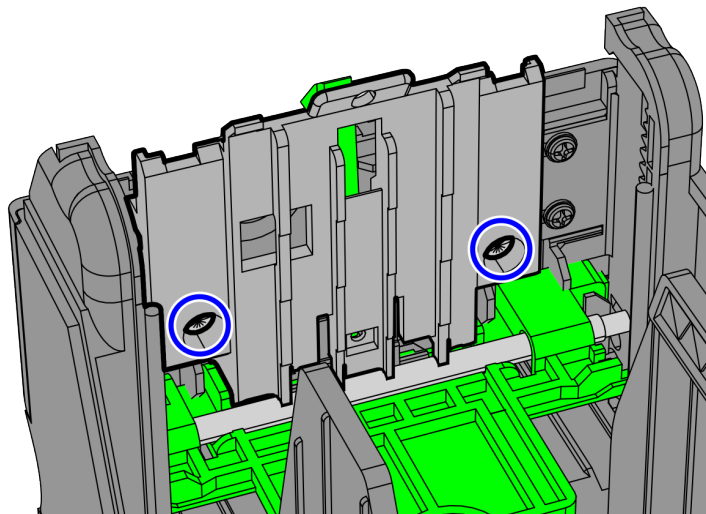
Removing GSR50 Loader Cassette Lock

To remove the GSR50 Loader Cassette lock, follow these steps:

1. Open the Loader Cassette by pressing the green button on the back of the Loader Cassette and then lift the lid.

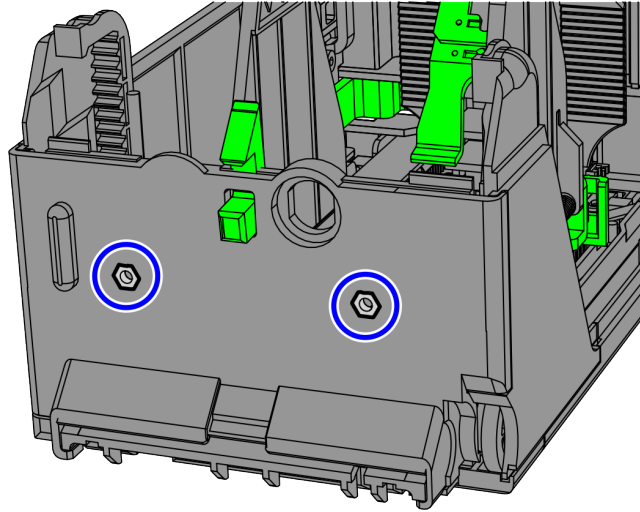


2. Remove two (2) screws to detach the bill guide from the Loader Cassette, as shown in the image below.



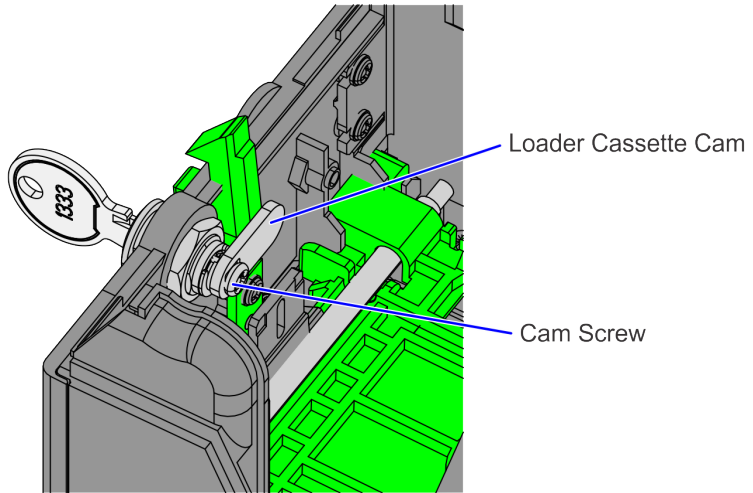


Note: The two (2) hex nuts may fall out of the cassette. Ensure not to lose these nuts.



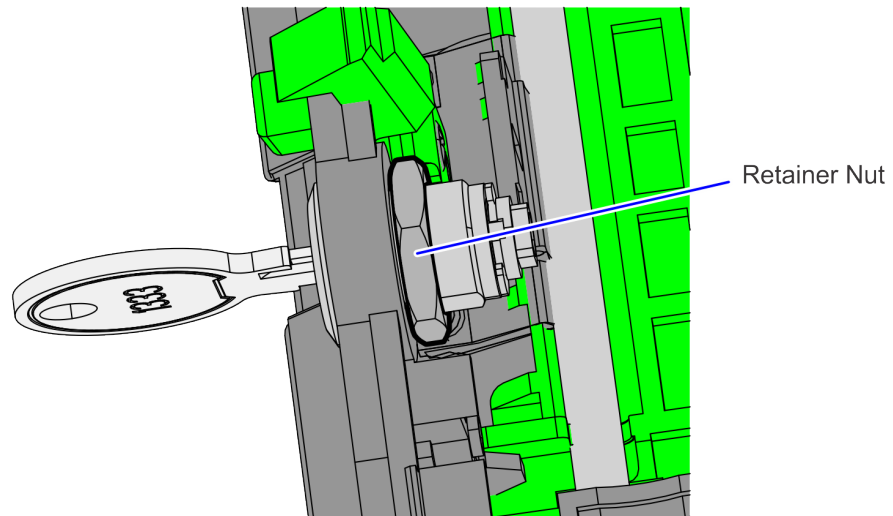
CCP-82360

3. Loosen and remove the cam screw to detach the Loader Cassette Cam from the Lock.



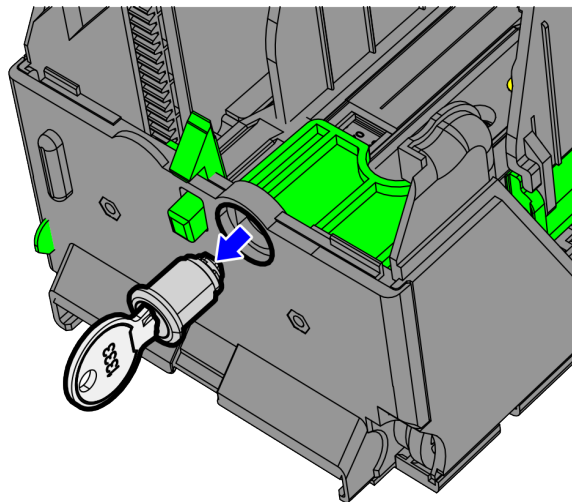
CCP-82364

- Loosen and remove the retainer nut from the Lock, as shown in the image below.



CCP-82362

- Remove the Lock from slot of the Loader Cassette.

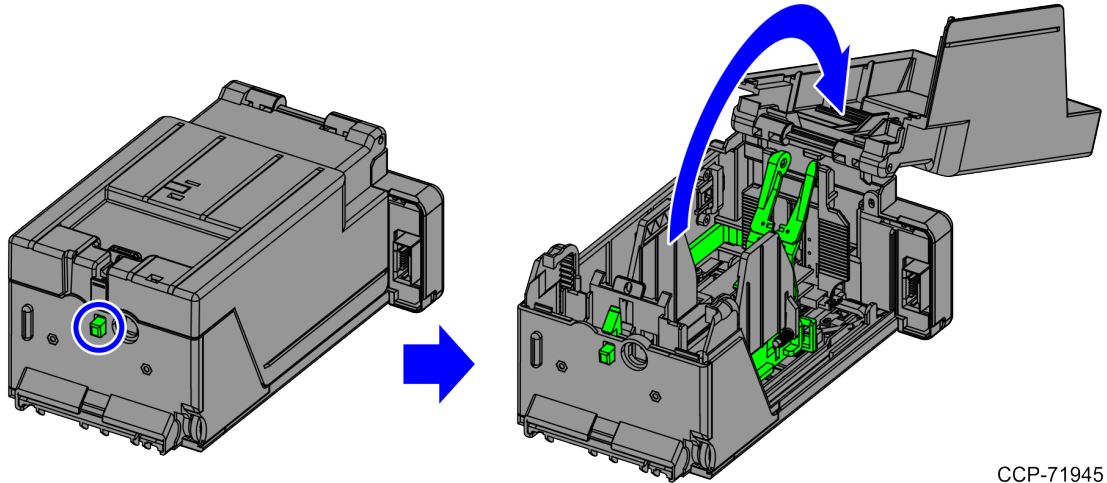


CCP-83806

Installing GSR50 Loader Cassette Lock

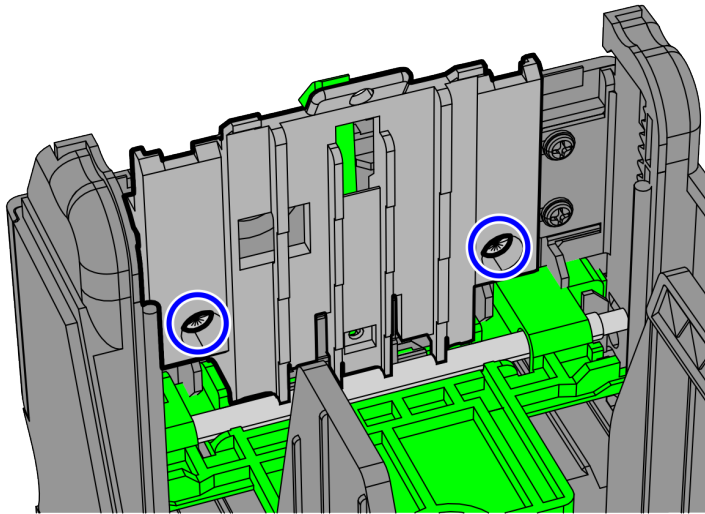
To install the GSR50 Loader Cassette lock, follow these steps:

1. Open the Loader Cassette by pressing the green button on the back of the Loader Cassette and then lift the lid.



CCP-71945

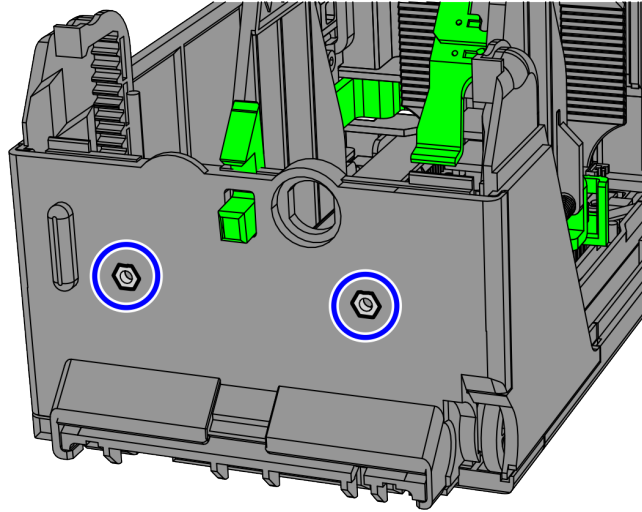
2. Remove two (2) screws to detach the bill guide from the Loader Cassette, as shown in the image below.



CCP-82359



Note: The two (2) hex nuts may fall out of the cassette. Ensure not to lose these nuts.

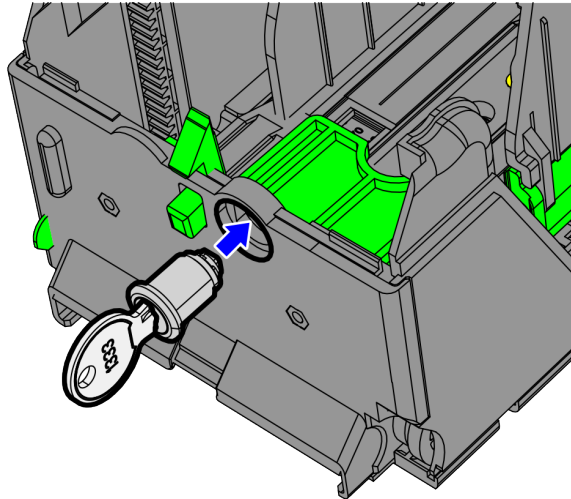


CCP-82360

3. Insert the lock into the cassette lock slot.



Note: Ensure correct orientation of the key as shown in the image below.

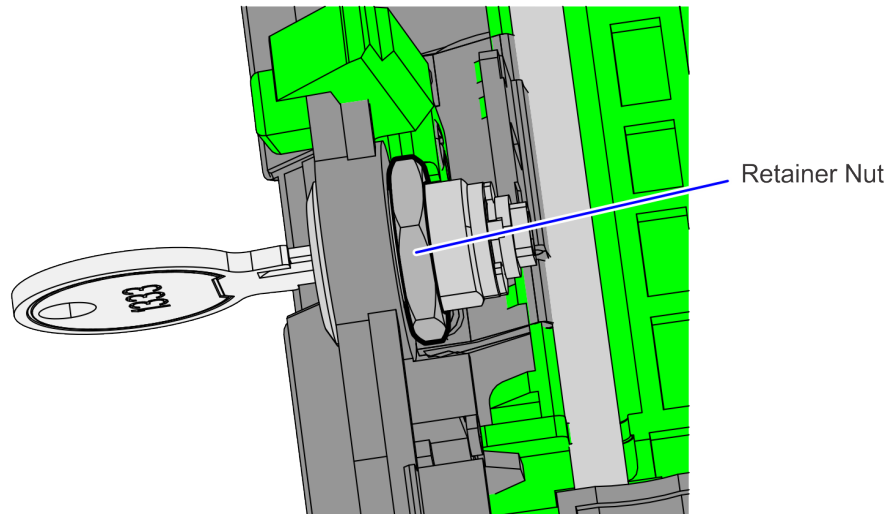


CCP-82361

- Secure the lock by attaching a nut, as shown in the image below.



Note: Use a 15 mm socket to torque the nut to 3 Nm.

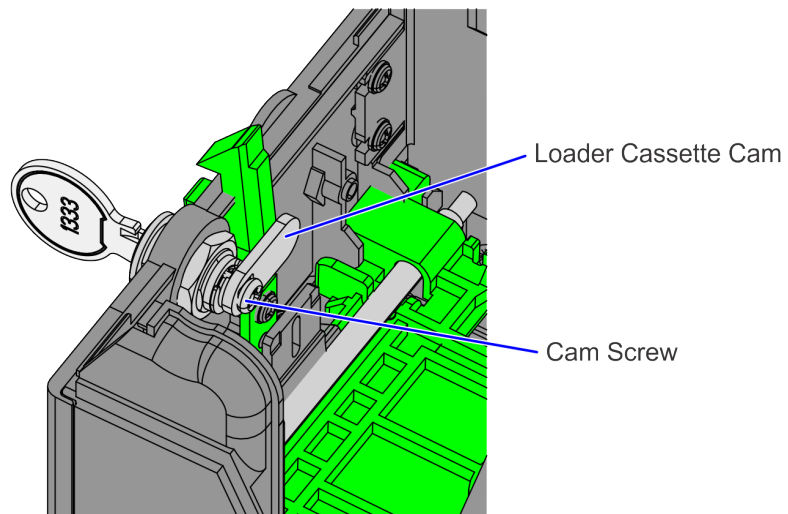


CCP-82362

- Attach the Loader Cassette Cam in a horizontal position to the Lock using a cam screw, and then torque the screw to 2 Nm.

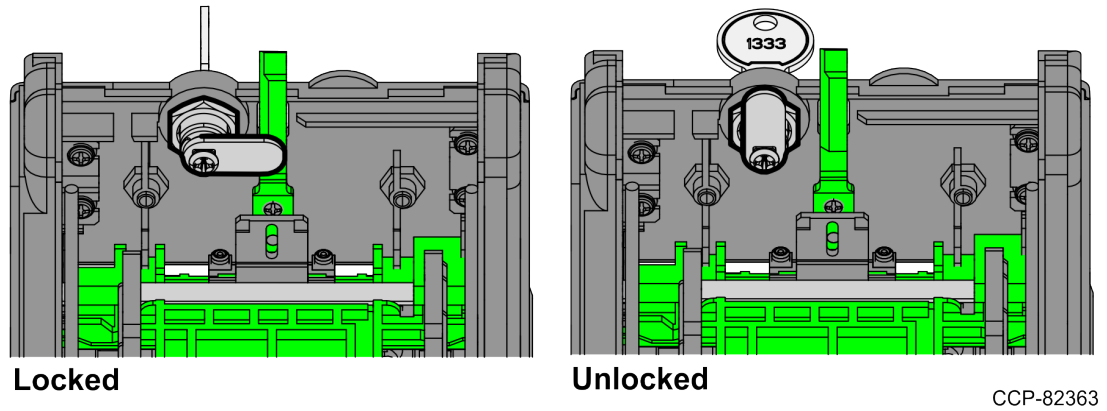


Note: Ensure correct orientation of the key and the Loader Cassette cam. The Loader Cassette cam must be in horizontal position blocking the latch when the key is in vertical or locked position.

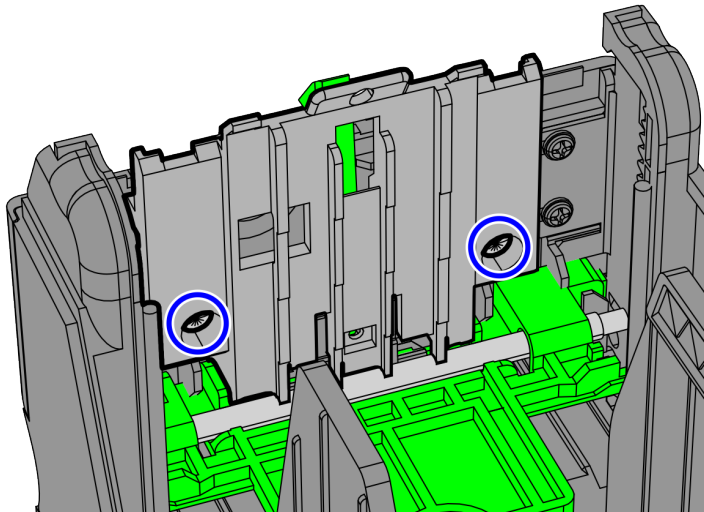


CCP-82364

6. Verify the locked and unlocked positions of the key and cam.



7. Attach the bill guide to the Loader Cassette using two (2) screws, as shown in the image below.



8. Close the Loader Cassette by pushing down the lid until it snaps in place.

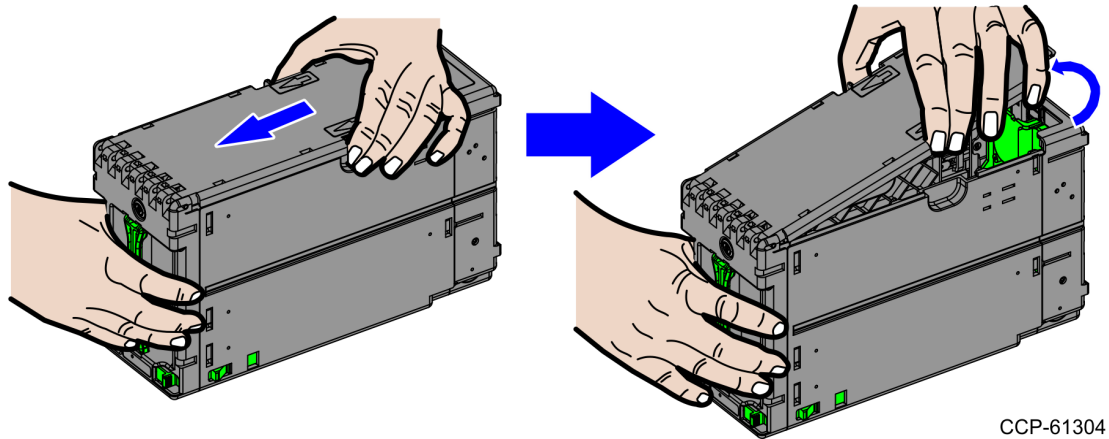
Removing GSR50 Notebox (Cashbox) Lock

To remove the GSR50 Notebox (Cashbox) Lock and Security Door, follow these steps:

1. Open the Notebox by sliding the cover and then lifting it, as shown in the image below.

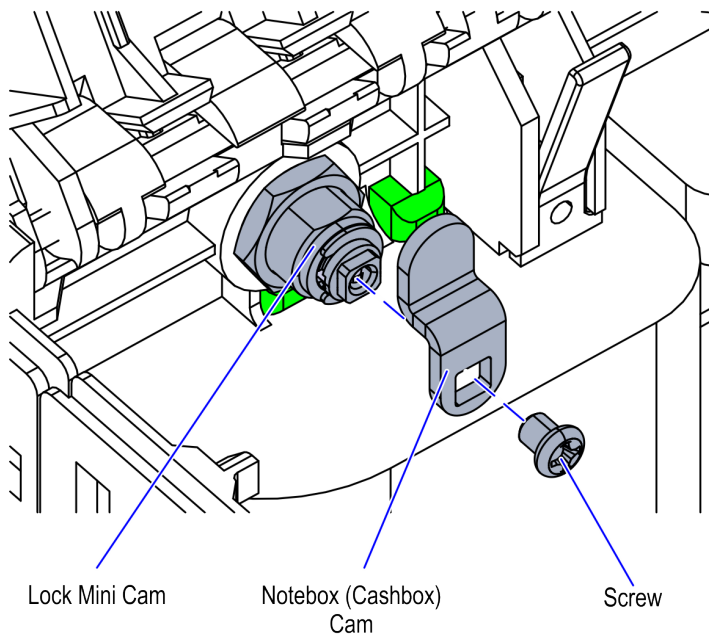


Note: Do not let go of the cover. If you slide the cover and then let go, the spring pulls it back in place and you can't lift it.



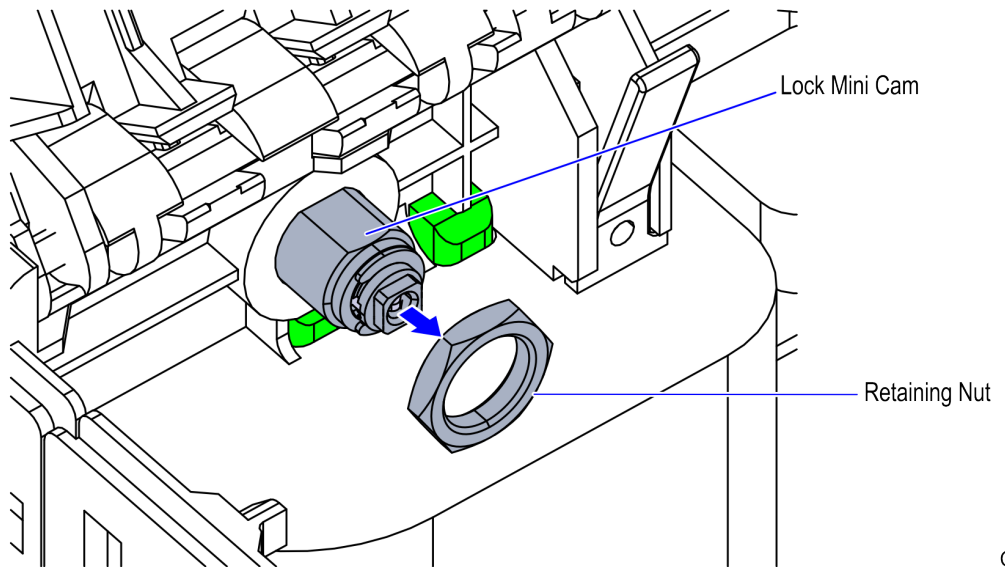
CCP-61304

2. Loosen and remove the screw to detach the Notebox (Cashbox) Cam from the Lock Mini Cam, as shown in the image below.



CCP-83804

3. Loosen and remove the retainer nut to detach the Lock Mini Cam from the lock hole of the Notebox (Cashbox).

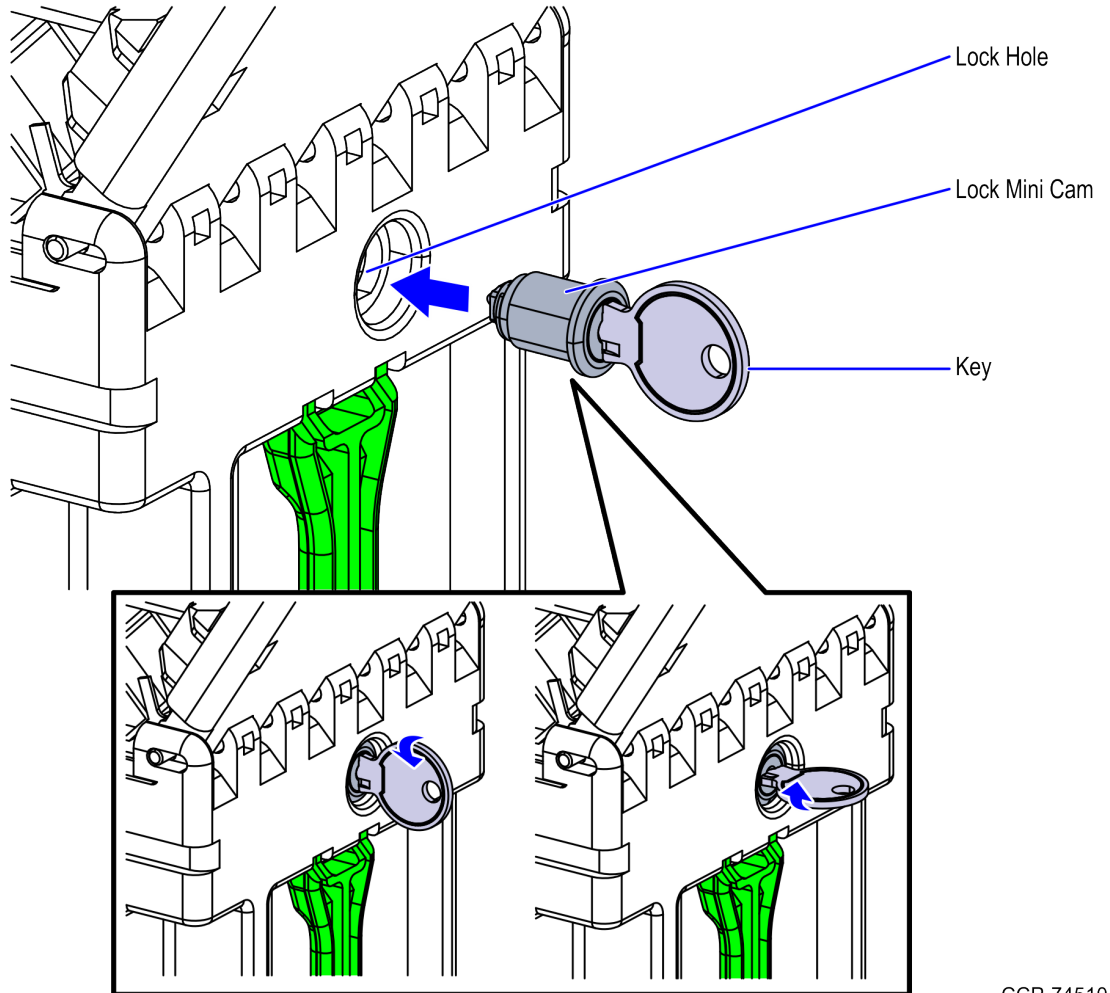


CCP-83805

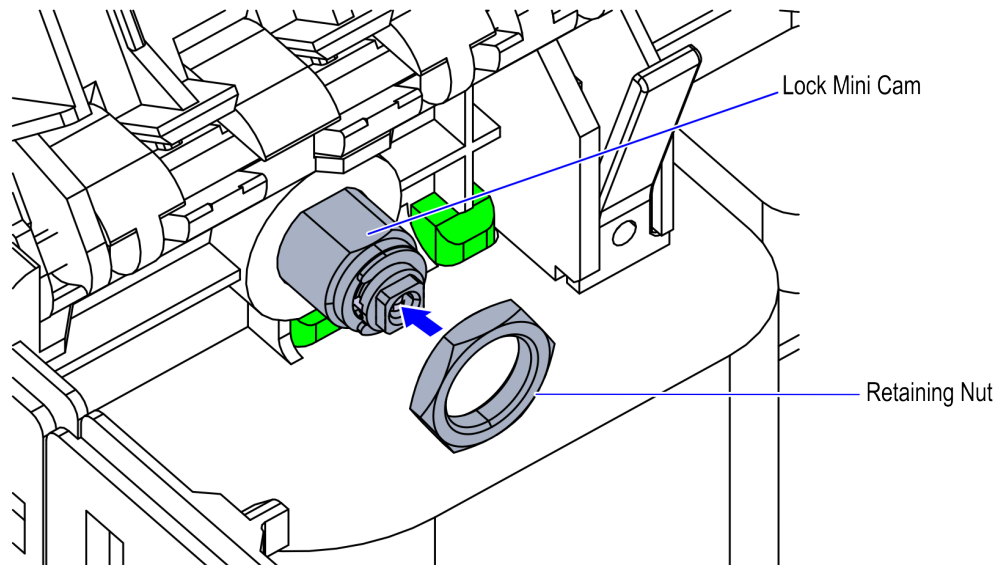
Installing GSR50 Notebox (Cashbox) Lock

To install the GSR50 Notebox (Cashbox) Lock and Security Door, follow these steps:

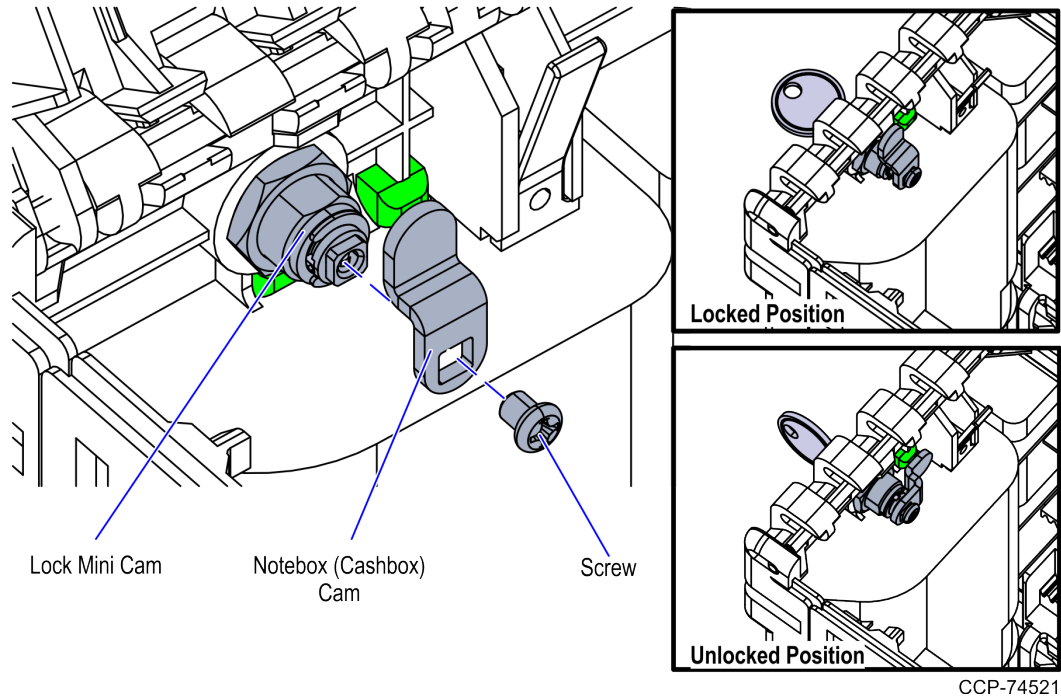
1. Remove the existing GSR50 Notebox (Cashbox) Lock, if necessary. For more information, refer to [Removing GSR50 Notebox \(Cashbox\) Lock](#) on page 15.
2. Insert the Lock Mini Cam into the lock hole of the Notebox (Cashbox) using a key. Make sure that the key can rotate to 1/4 turn counter clockwise as shown in the image below.



- Secure the Lock Mini Cam using a retainer nut and torque the nut to 4Nm or 35 in/lbs.



- Attach the Notebox (Cashbox) Cam to the Lock Mini Cam using a screw. Torque the screw to 4Nm or 35 in/lbs. Note the orientation of the cam in relation to the key position as shown in the image below.

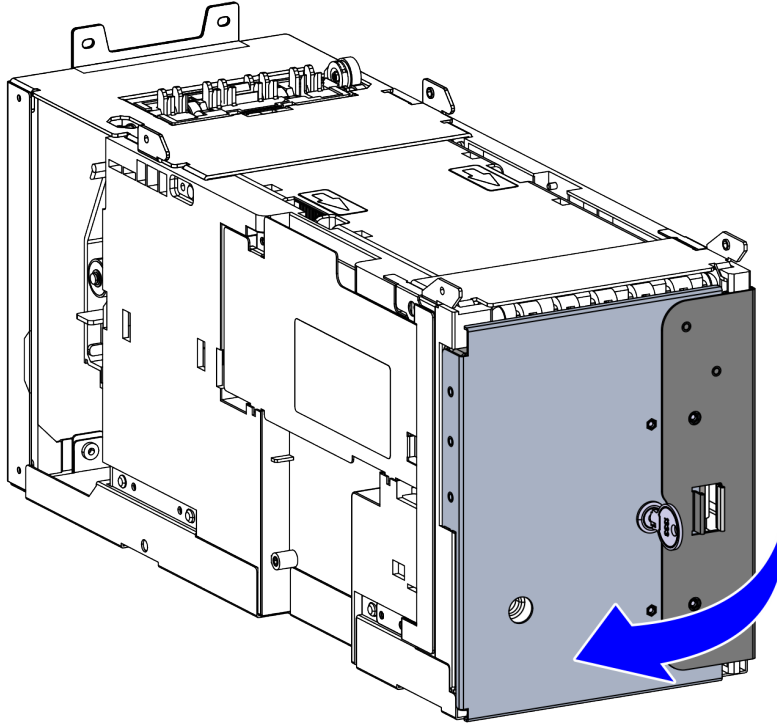


- Close the Notebox cover.

Removing GSR50 Notebox (Cashbox) Security Door

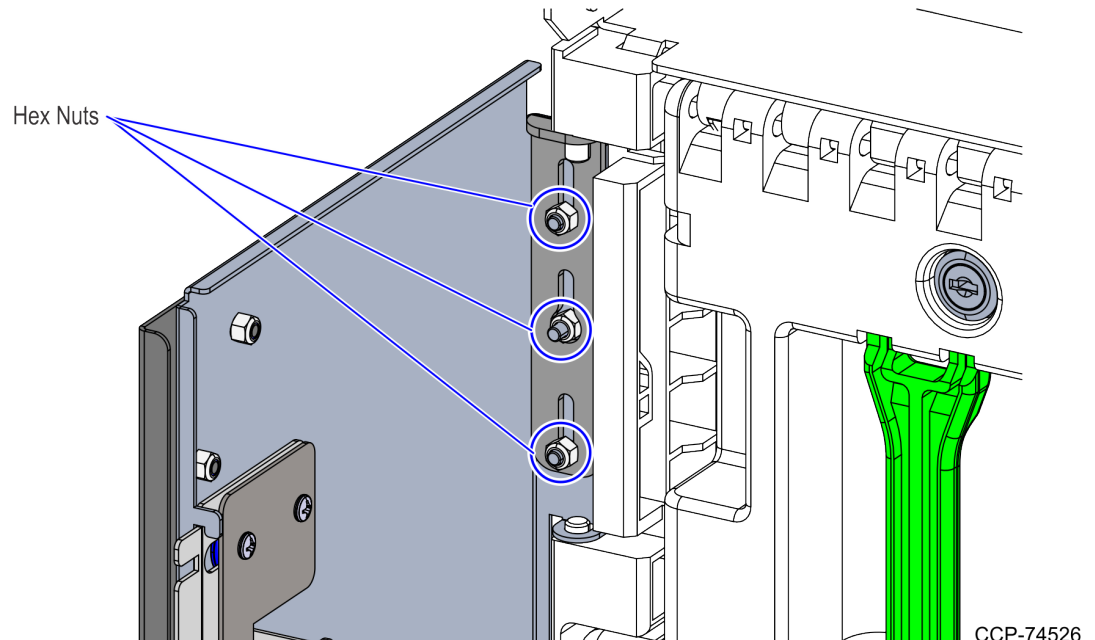
To remove the GSR50 Notebox (Cashbox) Security Door, follow these steps:

1. Unlock and open the Notebox (Cashbox) Security Door.



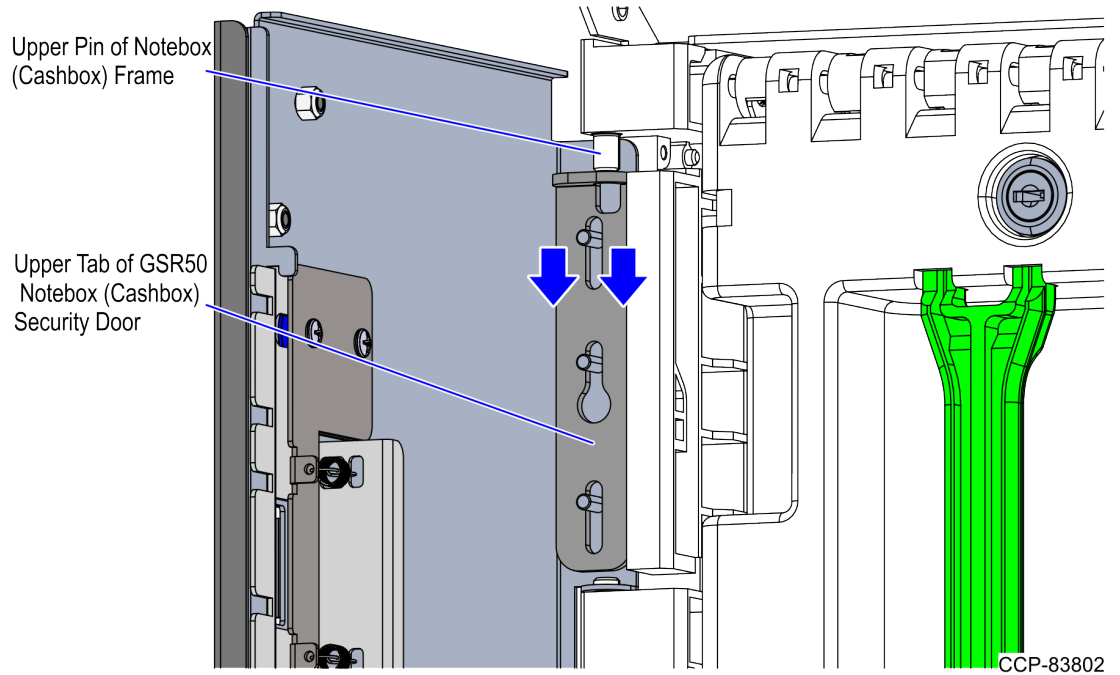
CCP-83800

2. Loosen and remove the three (3) hex nuts from the upper tab of the Security Door, as shown in the image below.

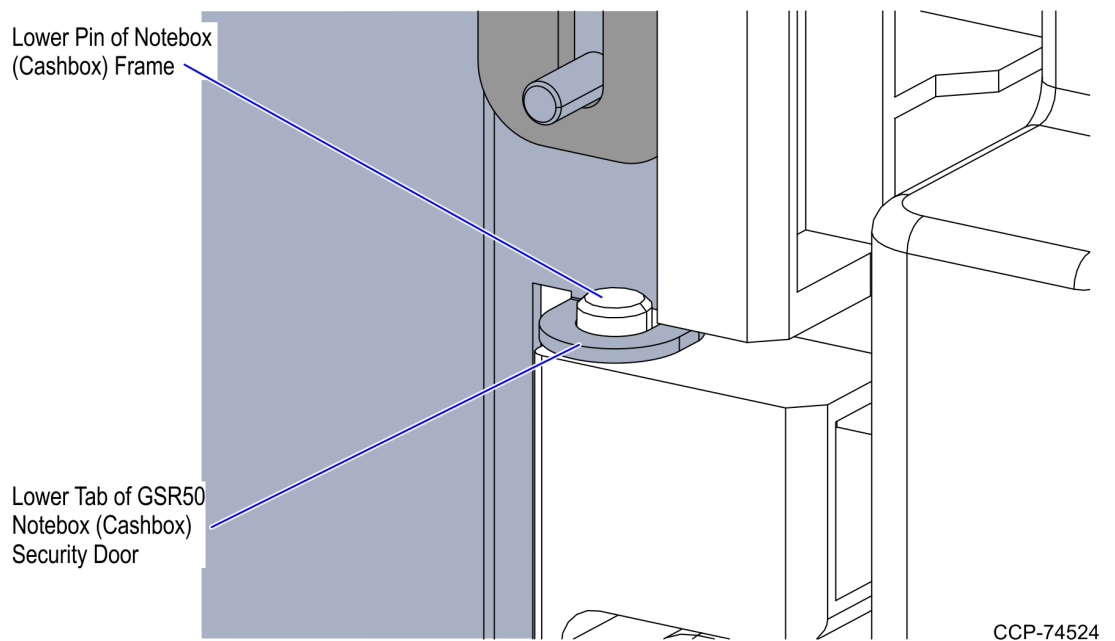


CCP-74526

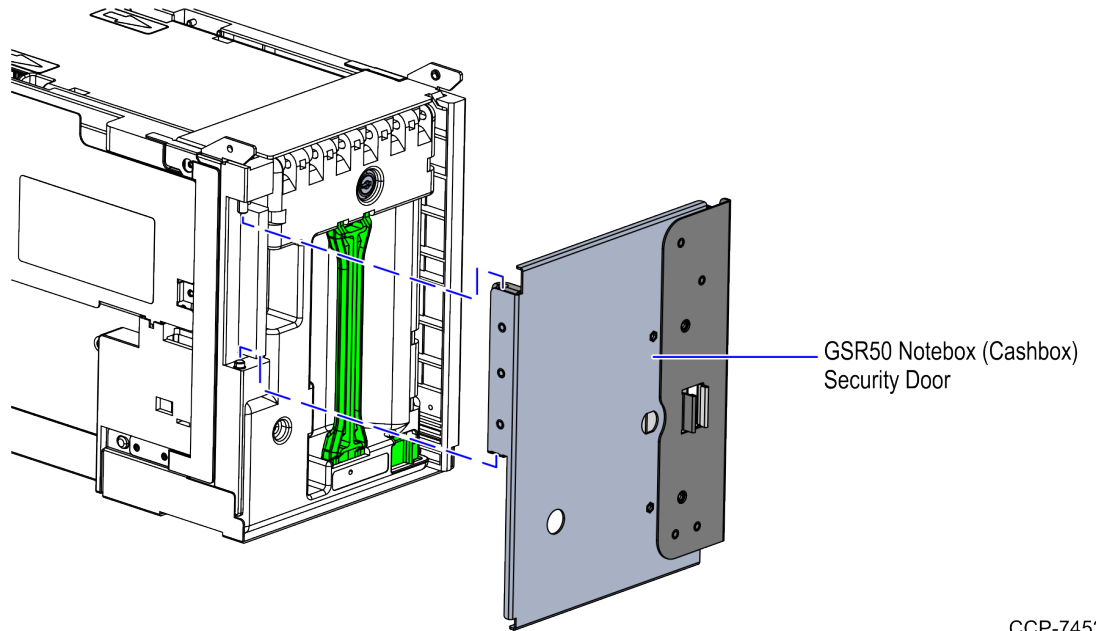
- Slide the upper tab of the Security Door downward to disengage from the upper pin of the Notebox (Cashbox) frame, as shown in the image below.



- Disengage the lower tab of the Security Door from the lower pin of the Notebox (Cashbox) frame, as shown in the image below.



5. Remove the Security Door from the front of the Notebox (Cashbox) frame as shown in the image below.

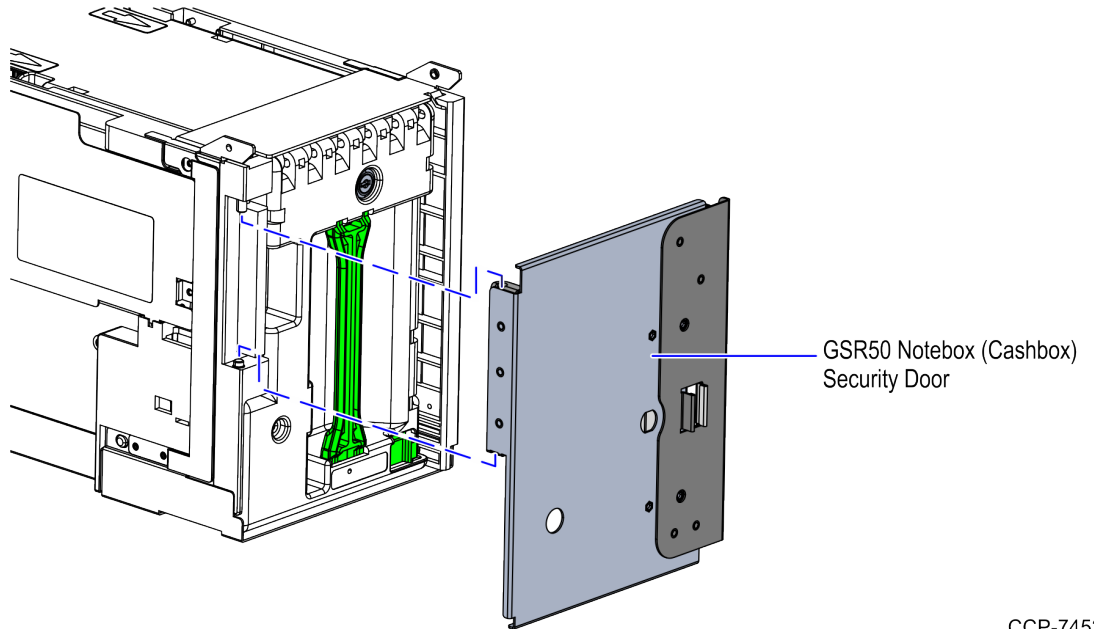


CCP-74523

Installing GSR50 Notebox (Cashbox) Security Door

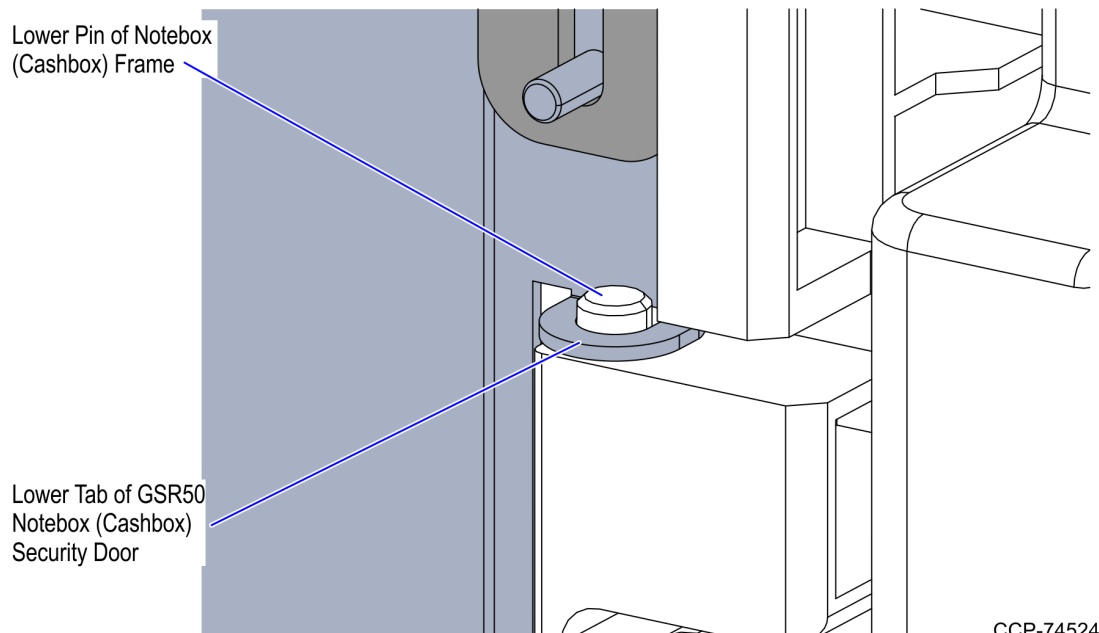
To install the GSR50 Notebox (Cashbox) Security Door, follow these steps:

1. Install the GSR50 Notebox (Cashbox) Security Door Lock. For more information, refer to [Installing GSR50 Notebox \(Cashbox\) Lock](#) on page 17.



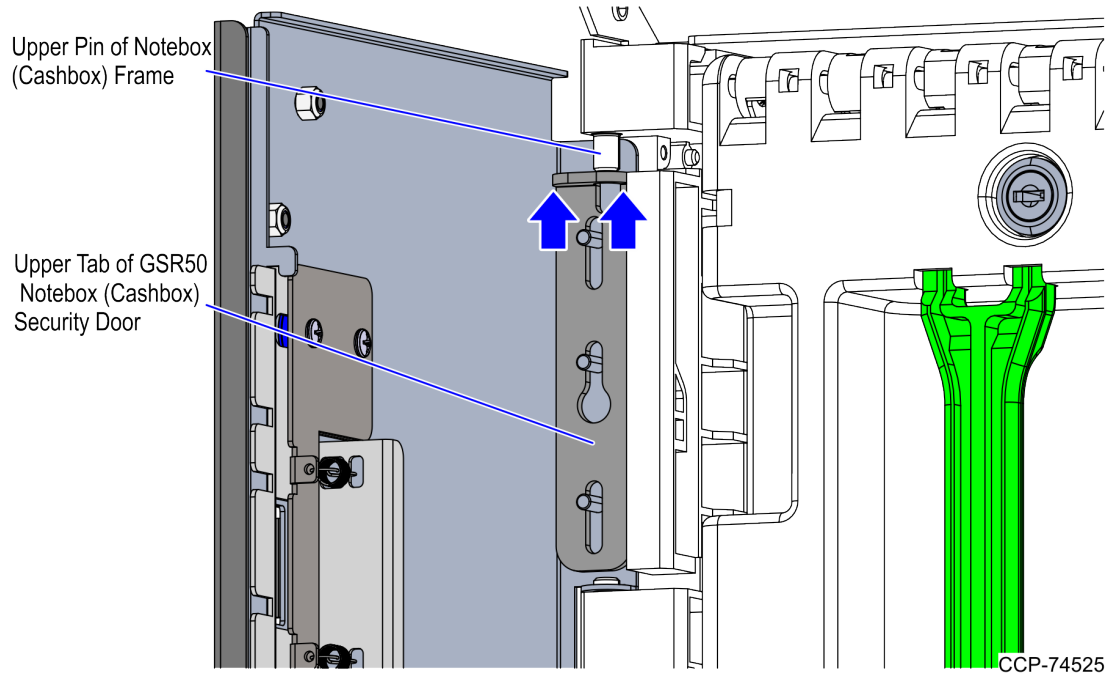
CCP-74523

2. Place the lower tab of the GSR50 Notebox (Cashbox) Security Door over the lower pin of Notebox (Cashbox) frame.

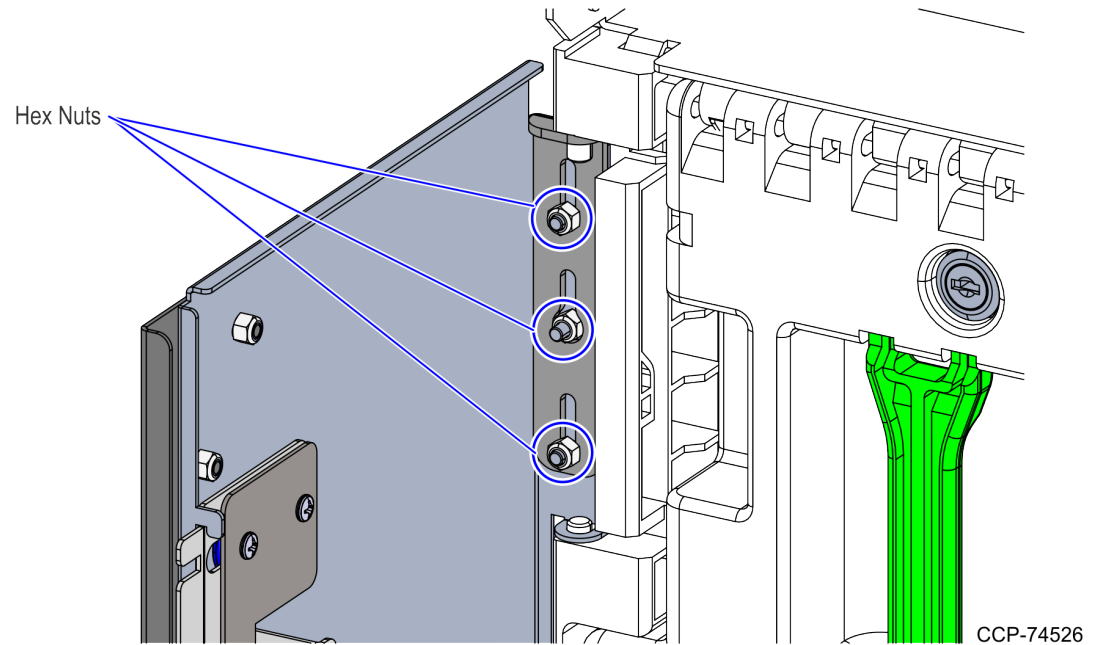


CCP-74524

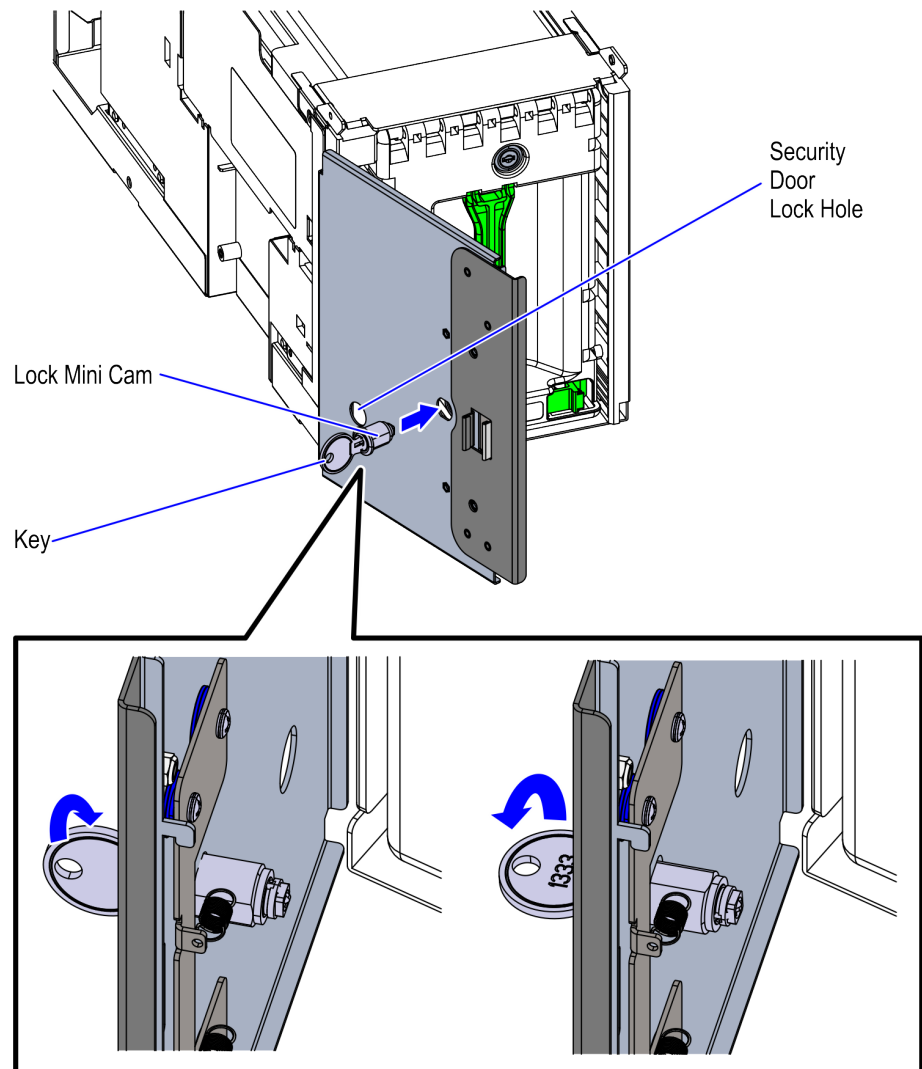
3. Slide the upper tab of the Security Door upward to capture the upper pin of the Notebox (Cashbox) frame.



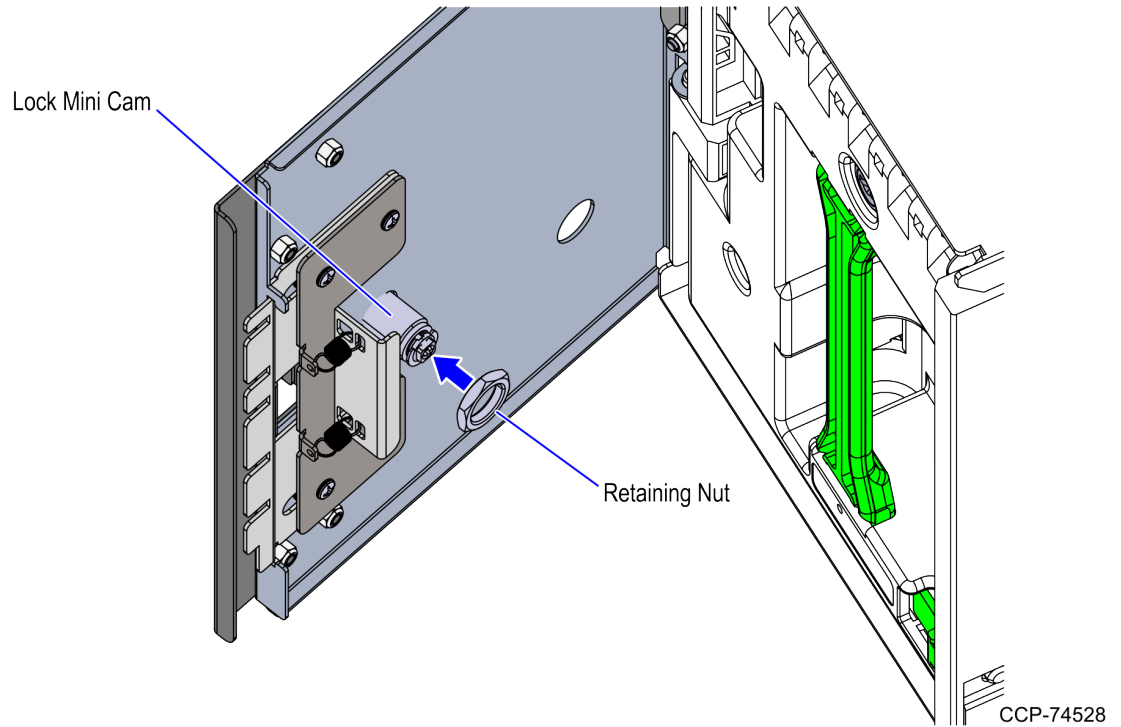
- Secure the upper tab of the Security Door using hex nuts and torque the nuts to 20in/lbs.



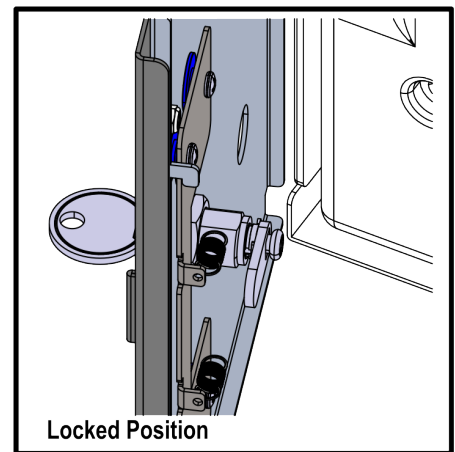
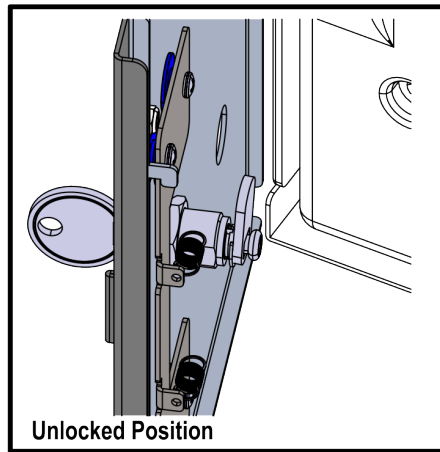
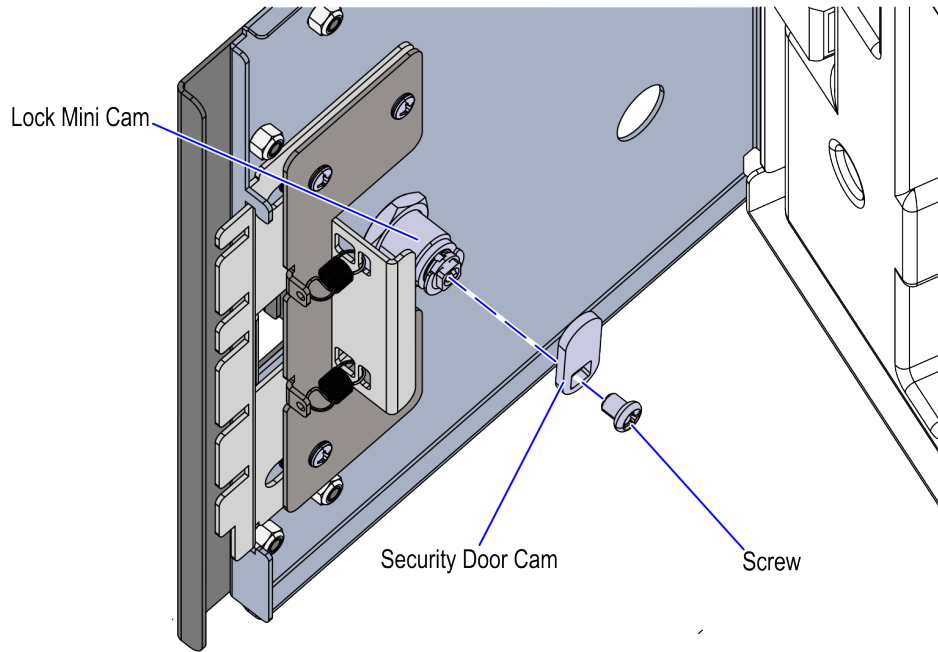
5. Install the Lock Mini Cam to the Security Door lock hole using a key in a vertical position as shown in the image below. Make sure that the key can rotate to 1/4 turn counter clockwise as shown in the image below.



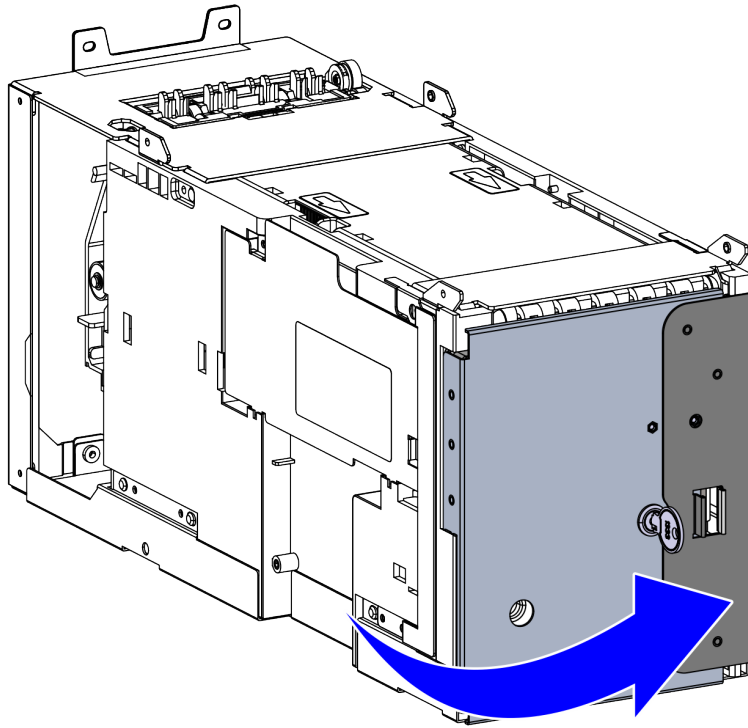
- Secure the Lock Mini Cam to the Security Door using a retainer nut and torque the nut to 4Nm or 35in/lbs.



7. Attach the Security Door Cam to the Lock Mini Cam using a screw and torque the screw to 4Nm or 35in/lbs. The key should be in the vertical position when the cam is installed and can rotate to 1/4 turn clockwise as shown in the image below.



8. Close the Notebox (Cashbox) Security Door.



CCP-74530

9. Do any of the following, if necessary:
 - [Installing GSR50 Recycler Stacker Lock](#) on page 5
 - [Installing GSR50 Loader Cassette Lock](#) on page 11.