

Kit Instructions

R6 CTM Custom Top Cover

7362-K087
Issue A



The product described in this document is a licensed product of NCR Corporation.

NCR is a registered trademark of NCR Corporation. NCR FastLane SelfServ™ Cash Tender Module (7362) is a trademark of NCR Corporation in the United States and/or other countries. Other product names mentioned in this publication may be trademarks or registered trademarks of their respective companies and are hereby acknowledged.

The terms HDMI and HDMI High-Definition Multimedia Interface, and the HDMI Logo are trademarks or registered trademarks of HDMI Licensing LLC in the United States and other countries.

Where creation of derivative works, modifications or copies of this NCR copyrighted documentation is permitted under the terms and conditions of an agreement you have with NCR, NCR's copyright notice must be included.

It is the policy of NCR Corporation (NCR) to improve products as new technology, components, software, and firmware become available. NCR, therefore, reserves the right to change specifications without prior notice.

All features, functions, and operations described herein may not be marketed by NCR in all parts of the world. In some instances, photographs are of equipment prototypes. Therefore, before using this document, consult with your NCR representative or NCR office for information that is applicable and current.

To maintain the quality of our publications, we need your comments on the accuracy, clarity, organization, and value of this book. Please use the link below to send your comments.

EMail: FD230036@ncr.com

Copyright © 2018
By NCR Corporation
Duluth, GA U.S.A.
All Rights Reserved

Revision Record

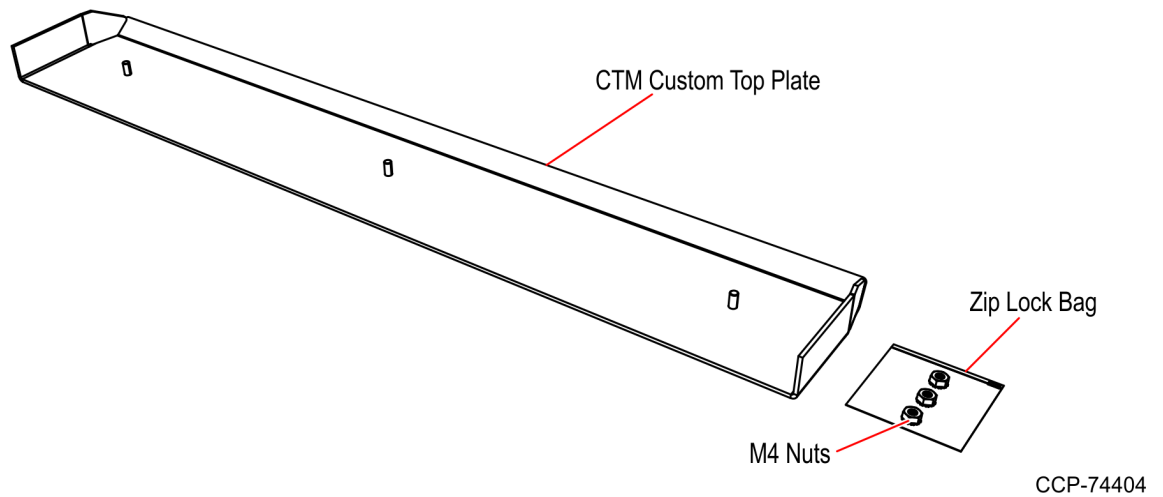
Issue	Date	Remarks
A	May 2018	First issue.

R6 CTM Custom Top Cover

This publication provides procedures for replacing the top cover with an R6 CTM Custom Top Cover on the NCR FastLane SelfServ™ Cash Tender Module (7362) unit.

Kit Contents

The R6 CTM Custom Top Cover Installation Kit contains the following:



Part Number	Description
497-0522013	7362-K087 R6 CTM Custom Top Cover
497-0521731	CTM Custom Top Cover
006-8611847	M4 Nut
006-8623359	Zip Lock Bag (2x2)
* 497-0504193	Carton Pack , 546 Series, 25" X 8 1/2" x 6", Corrugated with Convuluted Foam
* 497-0423108	Instructions-Kit (Reference Sheet)

* Items marked with an asterisk are not called out on the image.

Installation Procedure

Installing the R6 CTM Custom Top Cover on the NCR FastLane SelfServ™ Cash Tender Module (7362) unit requires an M4 Nut Driver with torque limiter and involves the following procedures:

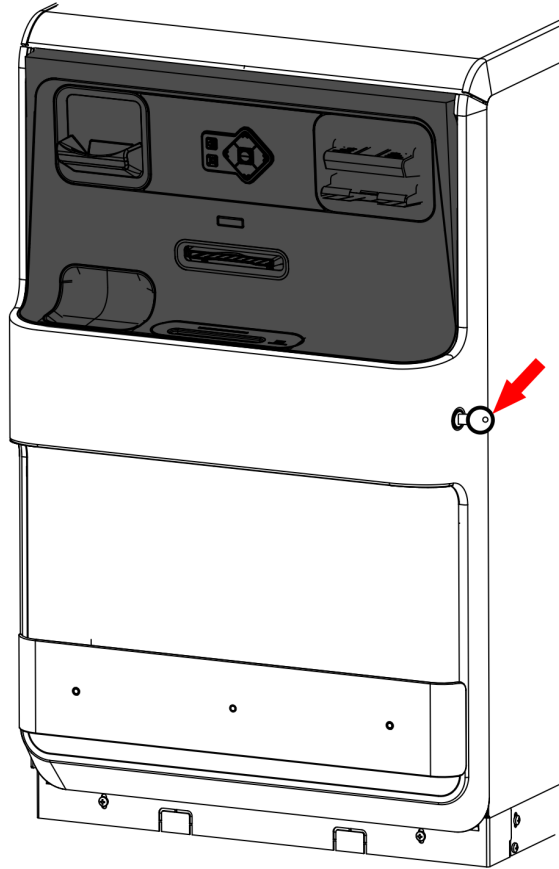
- A. [*Removing the Top Cover*](#) on the facing page.
- B. [*Installing R6 CTM Custom Top Cover*](#) on page 6.

▣ **Note:** Use magnetic screwdrivers to easily handle screws.

Removing the Top Cover

To remove the top cover, follow these steps:

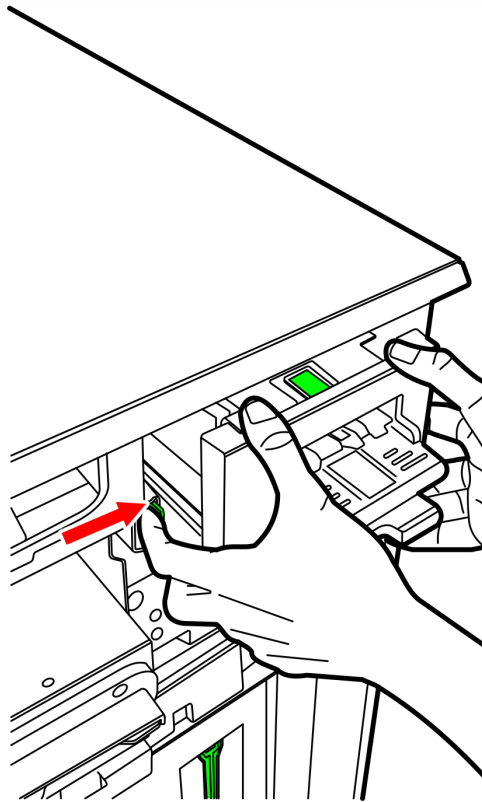
1. Using the door key, unlock and then open the NCR FastLane SelfServ™ Cash Tender Module (7362) External Door.



CCP-70906

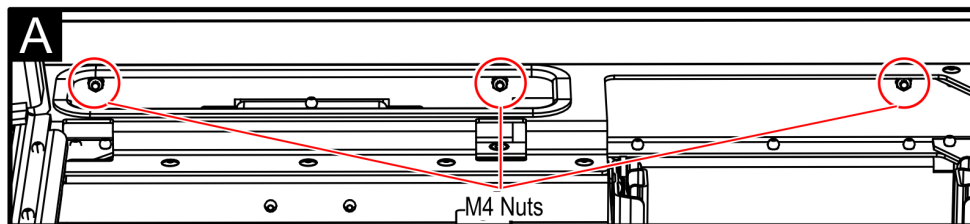
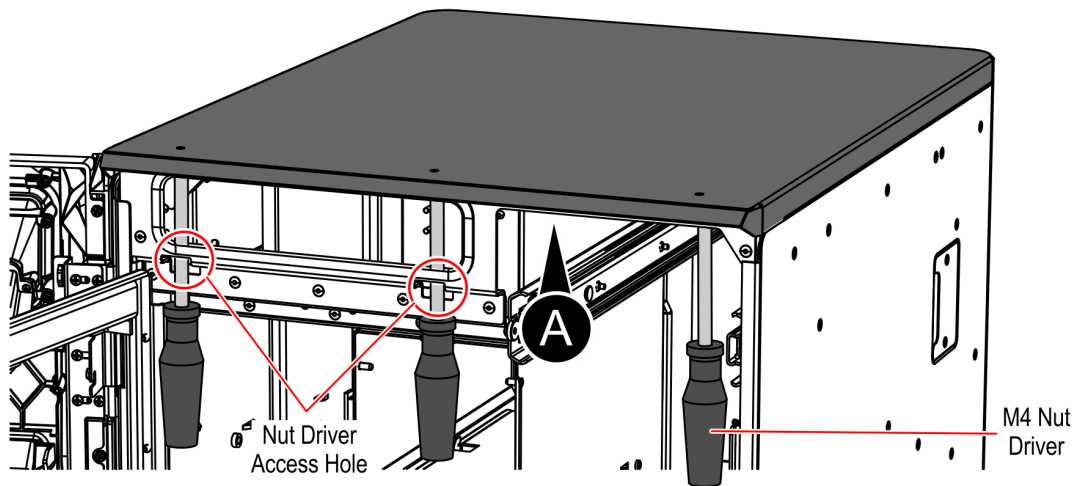
2. Depending on the type of security lock, unlock and then open the NCR FastLane SelfServ™ Cash Tender Module (7362) Security Door.

3. Push the green latch toward the Top (Main) Module, and then rack out the Note Recycler out of the cabinet.



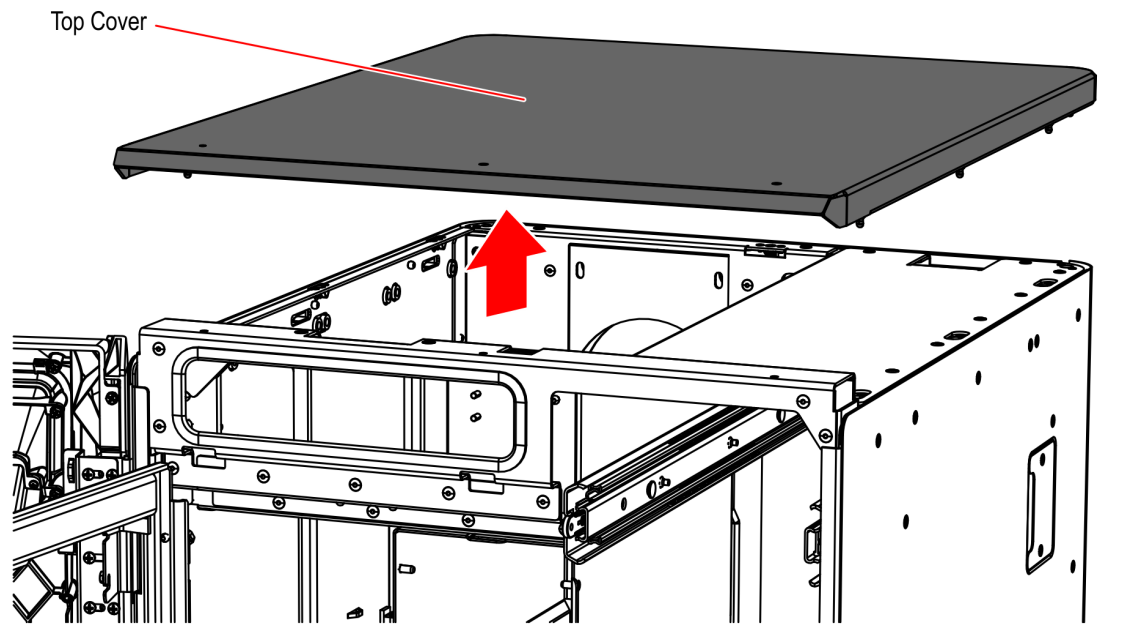
CCP-74405

4. Remove three M4 Nuts securing the top cover to the main assembly. Use an M4 Nut Driver as shown in the image below.



CCP-74406

5. Lift up the Top Cover from the main module.



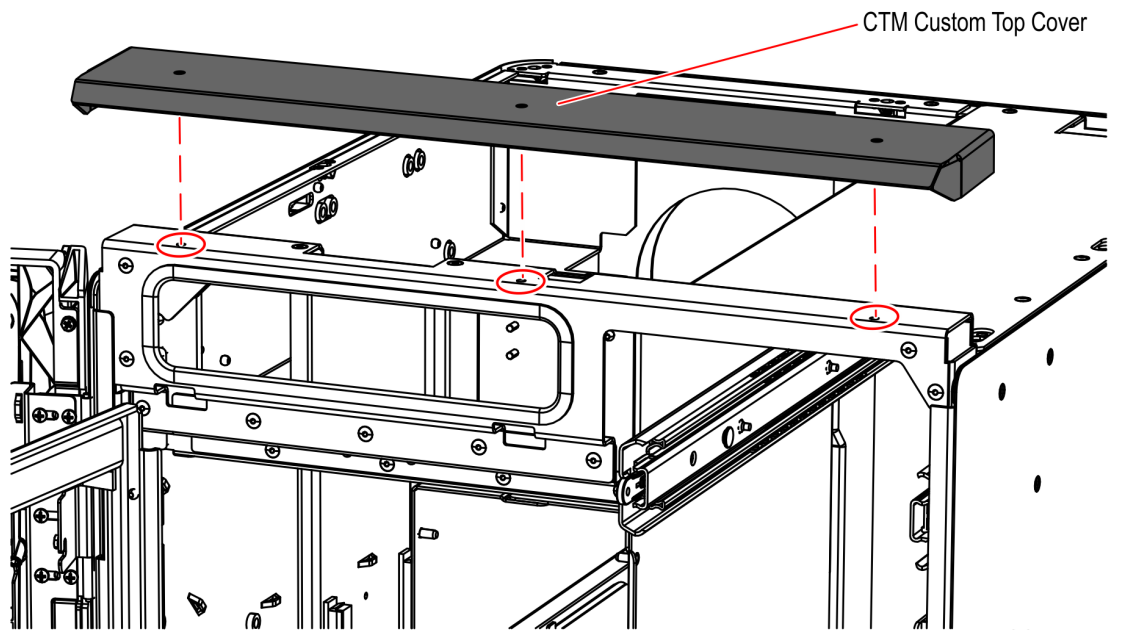
CCP-74407

6. Install the R6 CTM Custom Top Plate. For more information refer to [Installing R6 CTM Custom Top Cover](#) on the next page.

Installing R6 CTM Custom Top Cover

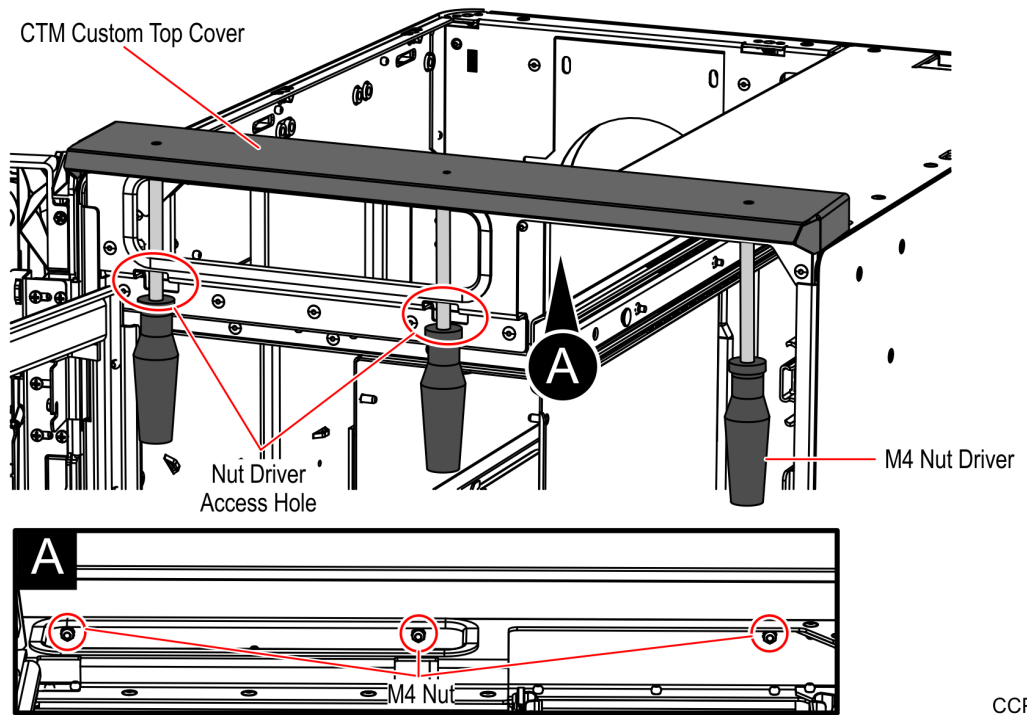
To install the R6 CTM Custom Top Cover, follow these steps:

1. Remove the Top Cover from the main unit. For more information refer to [Removing the Top Cover](#) on page 3.
2. Align the CTM Custom Top Cover with the holes on the main module as shown in the image below.



CCP-74408

3. Secure the CTM Custom Top Cover with three M4 nuts using an M4 Nut Driver as shown in the image below.



CCP-74409