

# Kit Instructions

CR5000 Coin Recycler Type C Hopper



7360-K999  
Issue A



The product described in this document is a licensed product of NCR Corporation.

NCR is a registered trademark of NCR Corporation. NCR FastLane SelfServ™ Checkout is a trademark of NCR Corporation in the United States and/or other countries. Other product names mentioned in this publication may be trademarks or registered trademarks of their respective companies and are hereby acknowledged.

The terms HDMI and HDMI High-Definition Multimedia Interface, and the HDMI Logo are trademarks or registered trademarks of HDMI Licensing LLC in the United States and other countries.

Where creation of derivative works, modifications or copies of this NCR copyrighted documentation is permitted under the terms and conditions of an agreement you have with NCR, NCR's copyright notice must be included.

It is the policy of NCR Corporation (NCR) to improve products as new technology, components, software, and firmware become available. NCR, therefore, reserves the right to change specifications without prior notice.

All features, functions, and operations described herein may not be marketed by NCR in all parts of the world. In some instances, photographs are of equipment prototypes. Software screen images are representative, and in some cases, may not match a customer's installed software exactly. Therefore, before using this document, consult with your NCR representative or NCR office for information that is applicable and current.

Copyright © 2021  
By NCR Corporation  
864 Spring St. NW  
Atlanta, GA 30308  
United States  
All Rights Reserved

---

## Revision Record

Issue	Date	Remarks
A	Nov 2021	First issue.

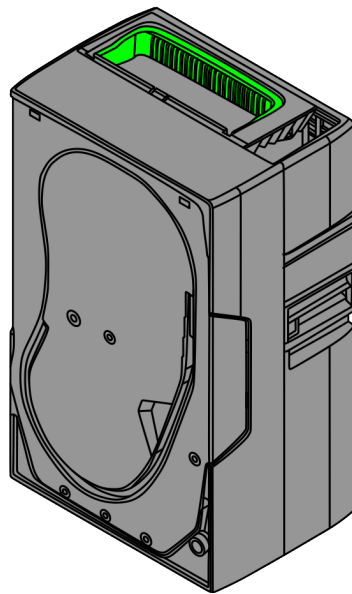
---

# CR5000 Coin Recycler Type C Hopper

---

The CR5000 Coin Recycler Type C Hopper Kit supports the Euro 7360 (R6-C) Preferred Offer that requires converting units from Euro currency to Czech support. The conversion involves removing existing Type B Hoppers from Hopper 3 and Hopper 4 and installing Type C Hoppers. This publication provides procedures for replacing a Type B Hopper with a Type C Hopper in an NCR FastLane SelfServ™ Checkout (7360).

## Kit Contents



CR5000 Hopper  
Type C

CCP-81073

Part Number	Description
497-0510940	7360-K999 CR5000 Coin Recycler Type C Hopper
497-0524535	Crane XChange Hopper Type C
* 497-0423108	Instructions - Kit (Reference Sheet)

\* Items marked with an asterisk are not called out on the image.

## Installation Procedures

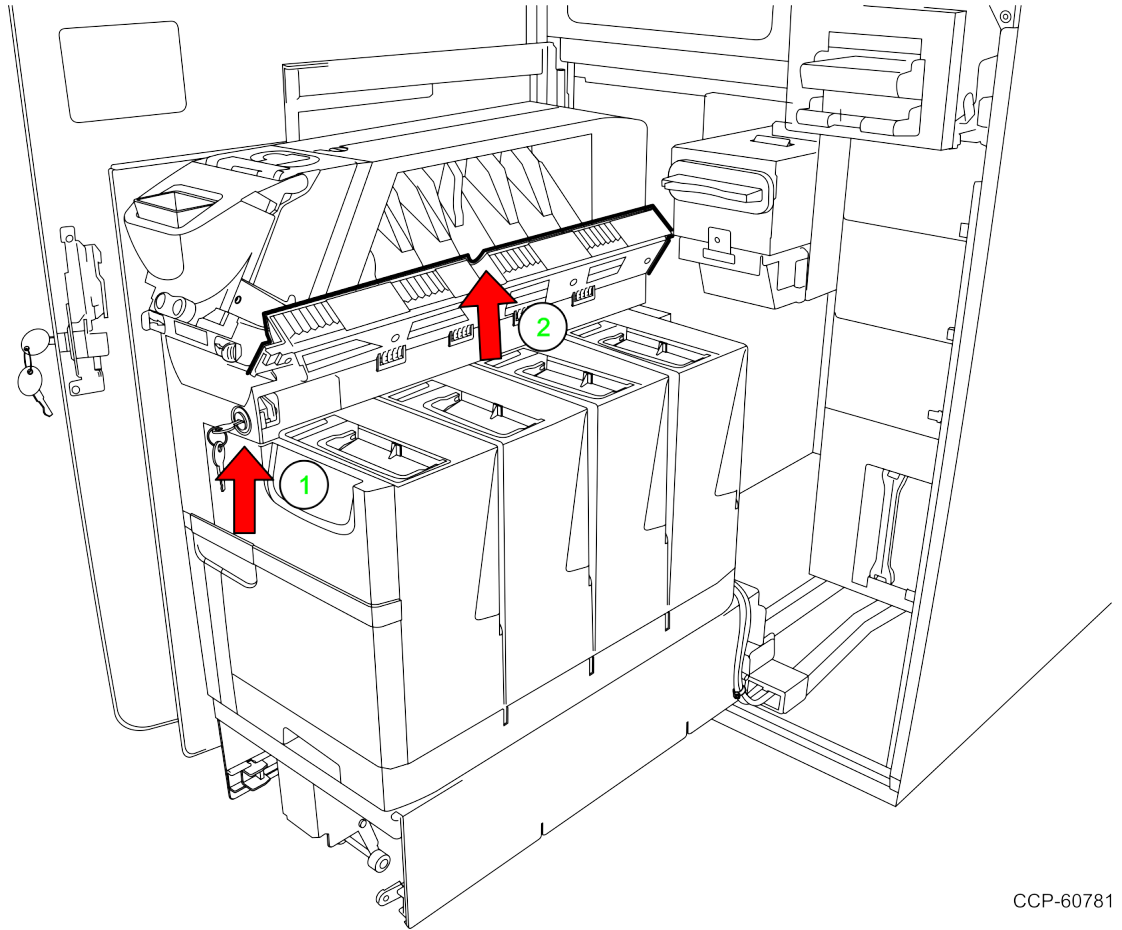
To convert units from Euro currency to Czech support, replace the existing Type B Hoppers from Hopper 3 and Hopper 4 with Type C Hoppers by doing the following procedures:

- [\*Removing the Hoppers\*](#) on the facing page.
- [\*Installing the Hoppers\*](#) on page 5.

## Removing the Hoppers

To remove an existing Hopper, follow these steps:

1. Access the CR5000 Coin Recycler (cpi™).
2. Unlock the Coin Recycler and then raise the locking bar.

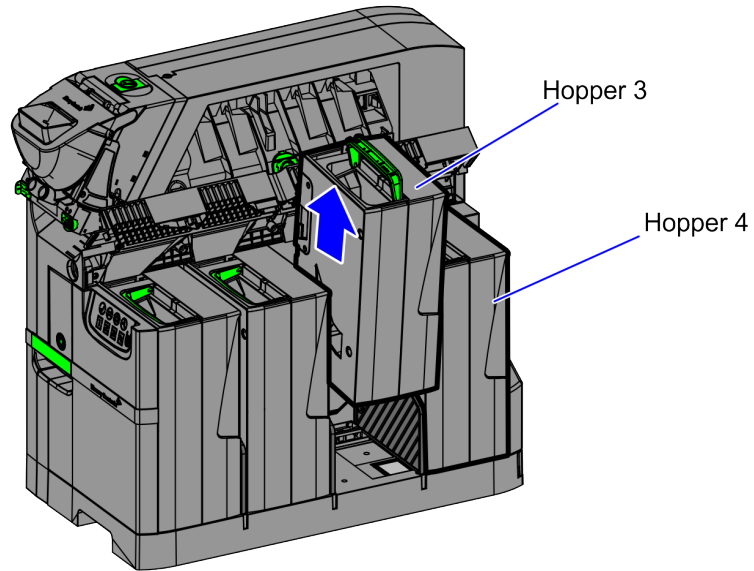


CCP-60781



**Note:** When the Locking bar is lifted to access the hoppers, the power is automatically turned off to these modules.

3. Remove a hopper by tilting it and then lifting it up and out using the green handle as shown below.



CCP-81071

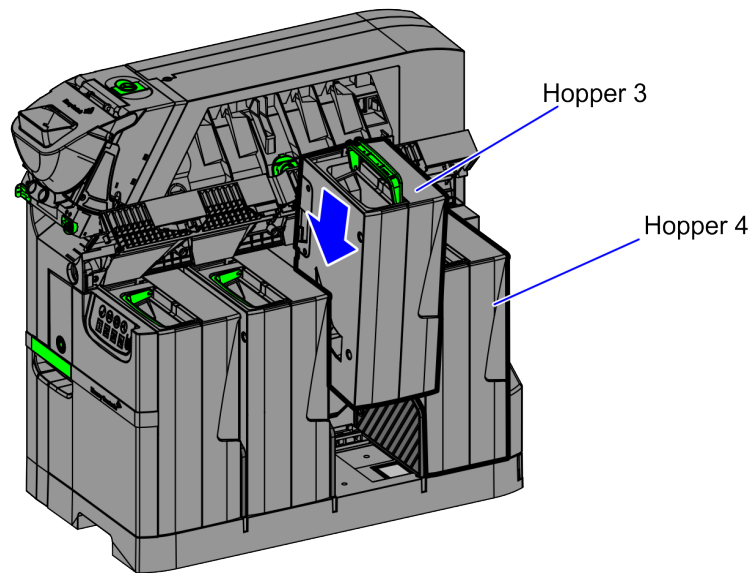
## Installing the Hoppers

To install a new Hopper, follow these steps:

1. Remove existing hoppers, if necessary. For more information, refer to [Removing the Hoppers](#) on page 3.
2. Install a hopper by tilting it and then sliding it into the corresponding divider as shown below.



**Note:** Ensure that the connector on the hopper is aligned and plugged with the connector on the chassis.



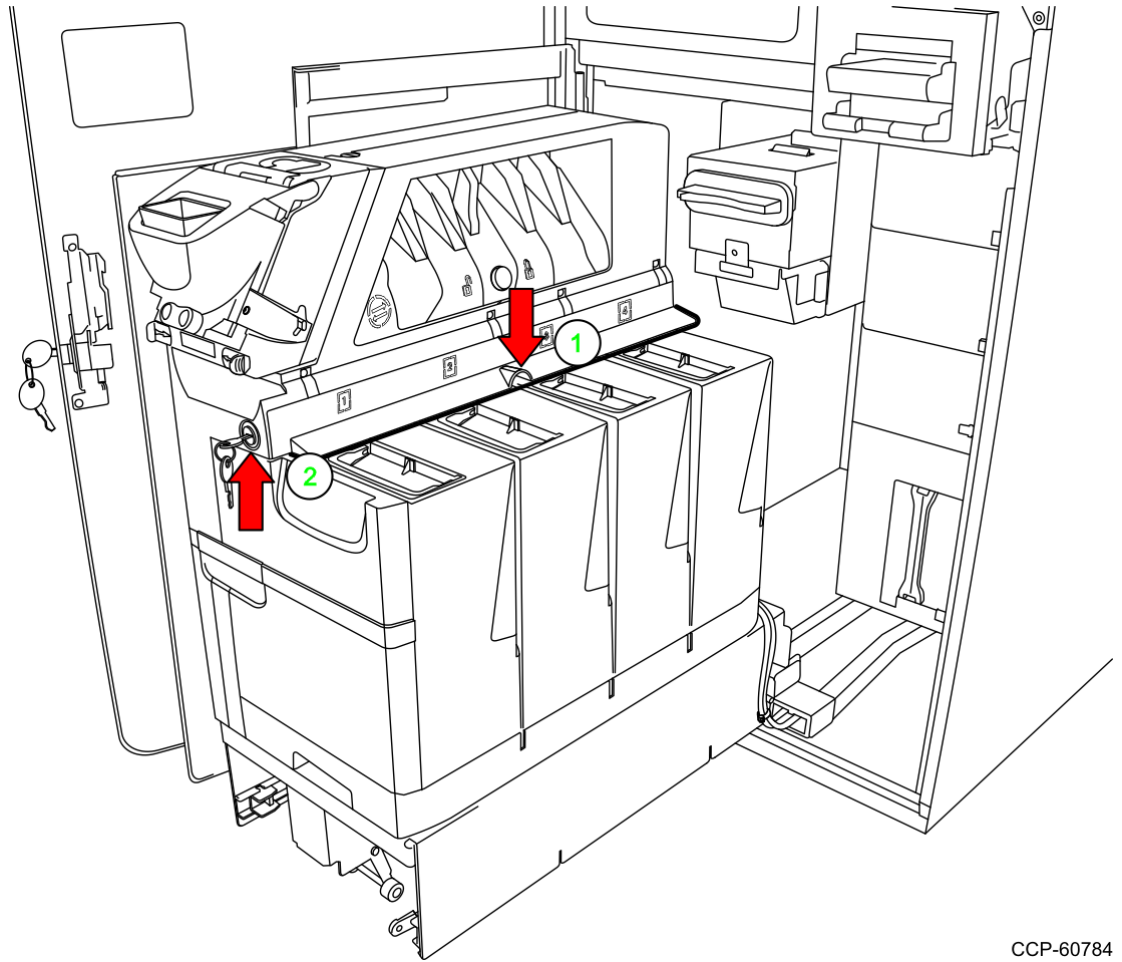
CCP-81072



**Note:** When the Locking bar is lifted to access the hoppers, the power is automatically turned off to these modules.

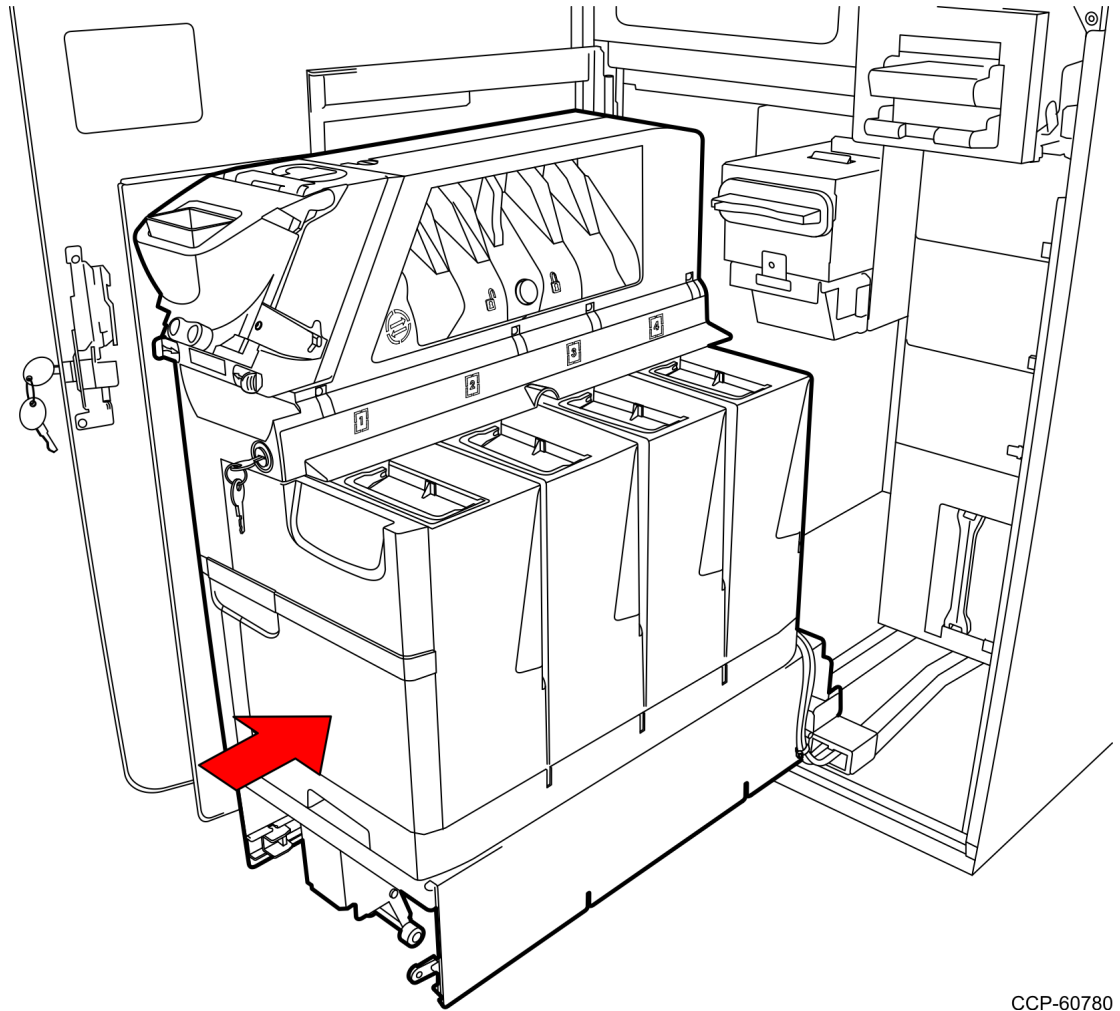


3. Lower the locking bar and then turn the key to secure the locking bar in place and lock the hoppers.



CCP-60784

4. Push Coin Recycler back into the cabinet.



CCP-60780

5. Turn on the 7360 (R6-C) unit. The ADD/CADD window is displayed, showing available devices.



**Note:** The NCR FastLane SelfServ(TM) Checkout application automatically runs and installs all available devices. If the new or replaced device is not listed in the ADD/CADD window, an error message is displayed. Follow the instruction on how to fix the error and then, restart the 7360 (R6-C) system.



**Note:** If the 7360 (R6-C) unit is on, restart the system.

