

Kit Instructions

CR5000 Coin Recycler Type B Hopper



7360-K998
Issue B



The product described in this document is a licensed product of NCR Corporation.

NCR is a registered trademark of NCR Corporation. NCR FastLane SelfServ™ Checkout is a trademark of NCR Corporation in the United States and/or other countries. Other product names mentioned in this publication may be trademarks or registered trademarks of their respective companies and are hereby acknowledged.

The terms HDMI and HDMI High-Definition Multimedia Interface, and the HDMI Logo are trademarks or registered trademarks of HDMI Licensing LLC in the United States and other countries.

Where creation of derivative works, modifications or copies of this NCR copyrighted documentation is permitted under the terms and conditions of an agreement you have with NCR, NCR's copyright notice must be included.

It is the policy of NCR Corporation (NCR) to improve products as new technology, components, software, and firmware become available. NCR, therefore, reserves the right to change specifications without prior notice.

All features, functions, and operations described herein may not be marketed by NCR in all parts of the world. In some instances, photographs are of equipment prototypes. Software screen images are representative, and in some cases, may not match a customer's installed software exactly. Therefore, before using this document, consult with your NCR representative or NCR office for information that is applicable and current.

To maintain the quality of our publications, we need your comments on the accuracy, clarity, organization, and value of this book. Please use the link below to send your comments.

Email: FD230036@ncr.com

Copyright © 2020
By NCR Corporation
864 Spring St. NW
Atlanta, GA 30308
United States
All Rights Reserved

Revision Record

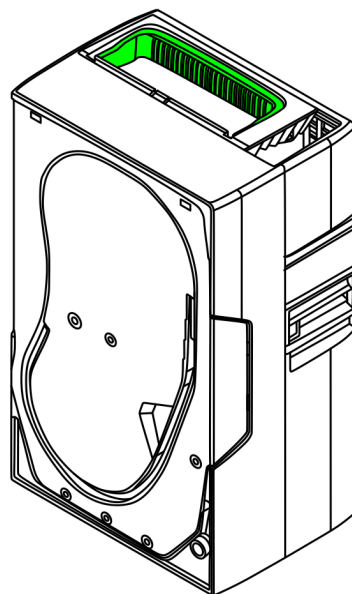
Issue	Date	Remarks
A	Jan 2020	First Issue
B	Apr 2020	Updated Kit Contents.

7360-K998 CR5000 Coin Recycler Type B Hopper

The CR5000 Coin Recycler Type B Hopper Kit supports the Euro SelfServ Checkout Preferred Offer that requires converting a Non-Rounding System to a Rounding System. The conversion involves configuring the system with four (4) Type B Hoppers. This publication provides procedures for replacing a Type A Hopper with a Type B Hopper in either of the following units:

- NCR FastLane SelfServ™ Checkout (7360)
- NCR FastLane SelfServ™ Checkout Cash Tender Module (CTM) (7362)

Kit Contents



Crane XChange
Hopper Type B

CCP-78043

Part Number	Description
497-05257576	7360-K998 CR5000 Coin Recycler Type B Hopper
497-0524533	Crane XChange Hopper Type B
* 497-0423108	Instructions - Kit (Reference Sheet)

* Items marked with an asterisk are not called out on the image.

Installation Procedures

Installing the CR5000 Coin Recycler Type B Hopper involves the following procedures:

- [Removing Hoppers](#) on the facing page.
- [Installing Hoppers](#) on page 5.

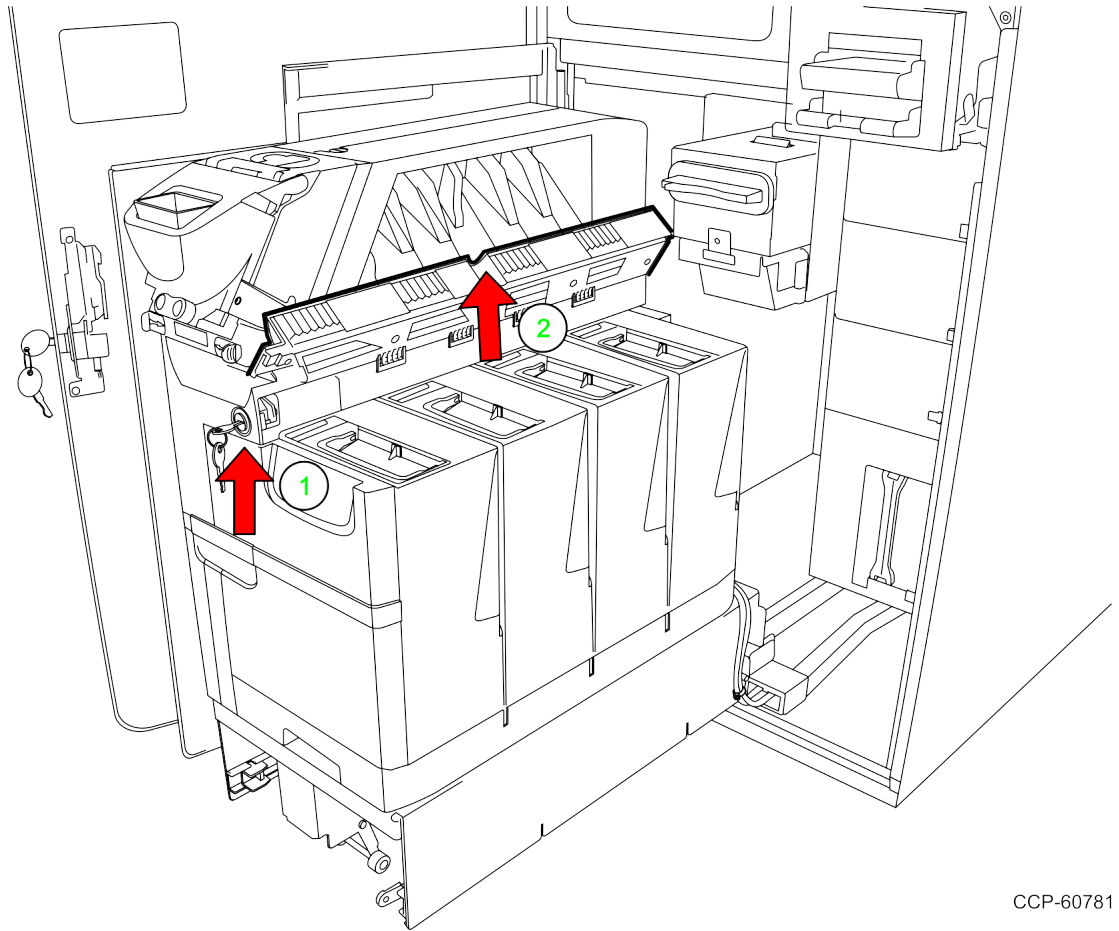
Removing Hoppers

To remove an existing Hopper, follow these steps:



Note: To convert a Non-Rounding System to a Rounding System, replace the existing Type A Hoppers with four (4) Type B Hoppers.

1. Access the CR5000 Coin Recycler.
2. Unlock the Coin Recycler and then raise the locking bar.

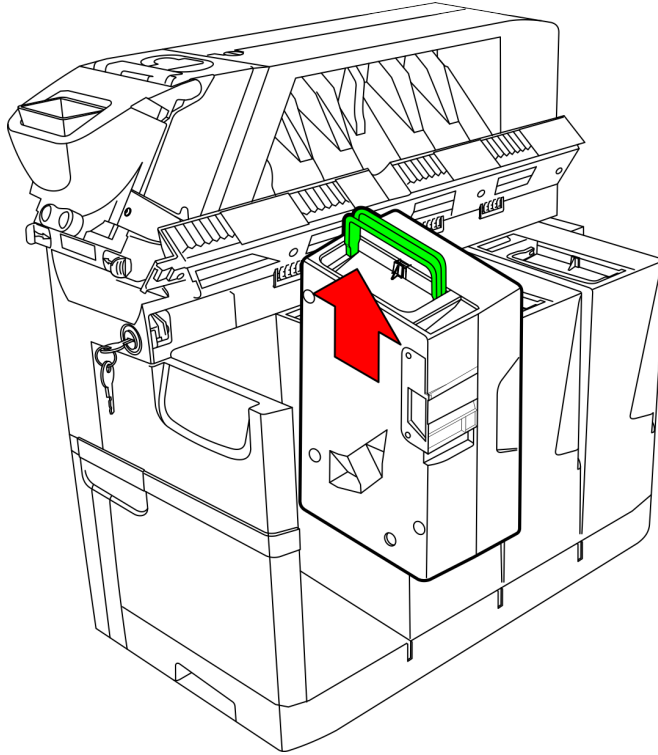


CCP-60781



Note: When the Locking bar is lifted to access the hoppers, the power is automatically turned off to these modules.

3. Remove a hopper by tilting it and then lifting it up and out using the green handle as shown below.



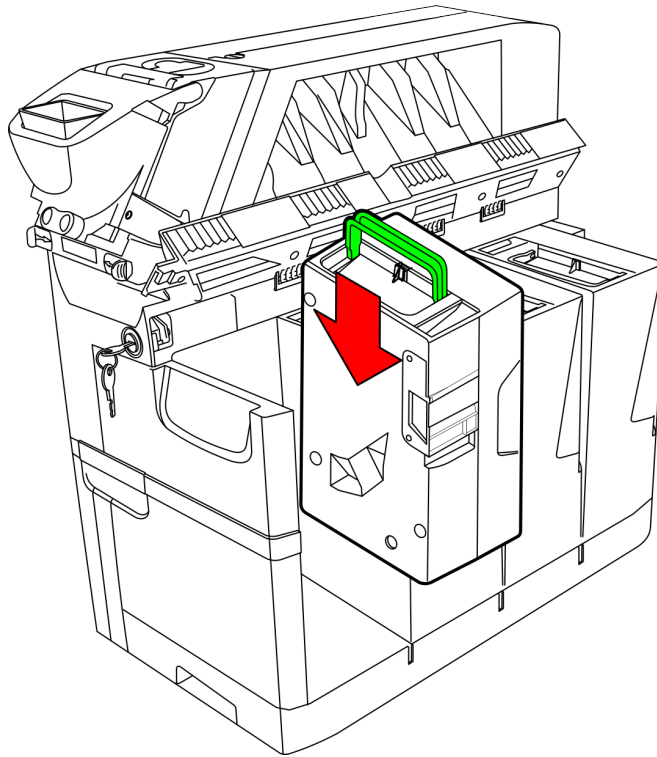
Installing Hoppers

To insert a new Hopper, follow these steps:

1. When necessary, remove existing hoppers. For more information, refer to [Removing Hoppers](#) on page 3.
2. Install a hopper by tilting it and then sliding it into the corresponding divider as shown below.



Note: Ensure that the connector on the hopper is aligned and plugged with the connector on the chassis.

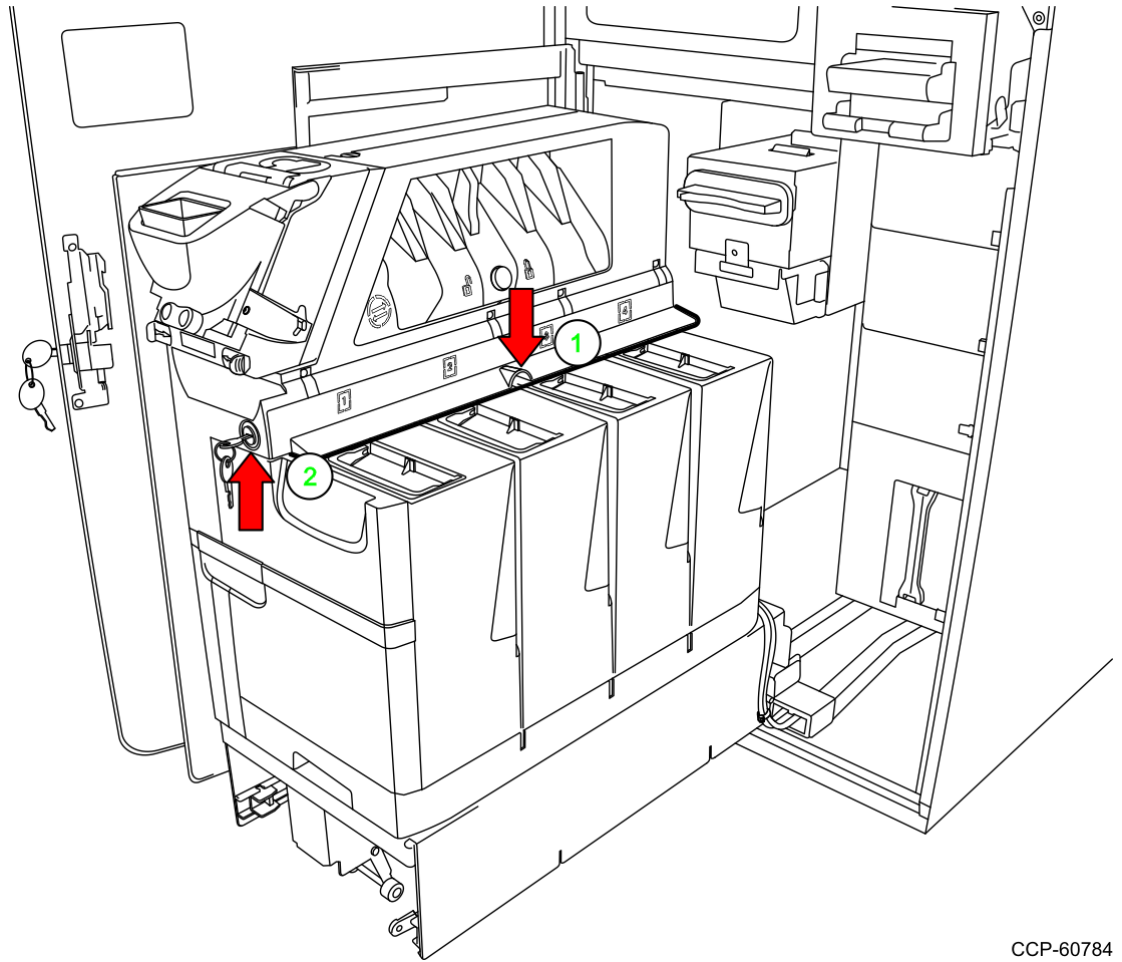


CCP-60953



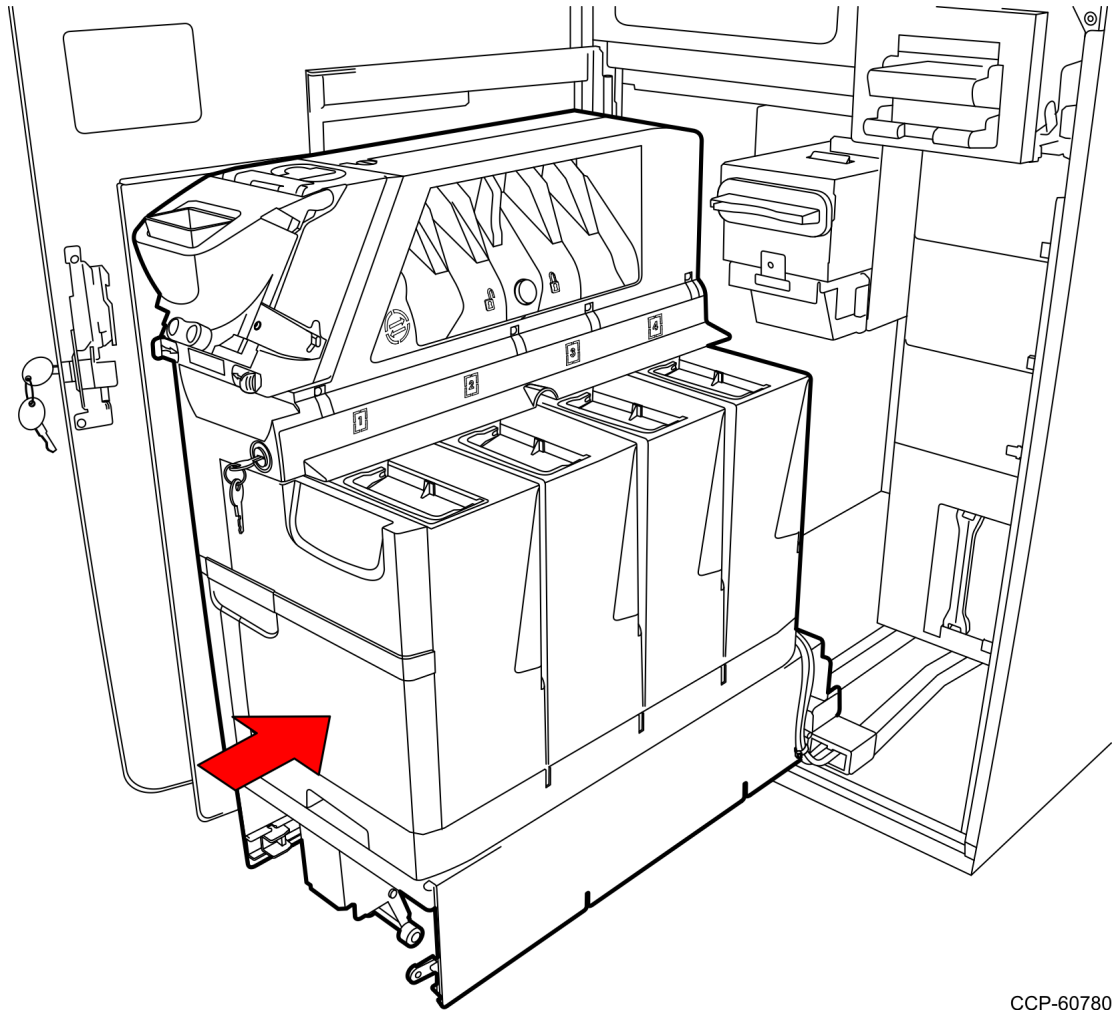
Note: When the Locking bar is lifted to access the hoppers, the power is automatically turned off to these modules.

3. Lower the locking bar and then turn the key to secure the locking bar in place and lock the hoppers.



CCP-60784

4. Push Coin Recycler back into the cabinet.



CCP-60780

5. Turn on the R6 unit. The ADD/CADD window is displayed, showing available devices.



Note: The R6 application automatically runs and installs all available devices. If the new or replaced device is not listed in the ADD/CADD window, an error message is displayed. Follow the instructions on how to fix the error and then, restart the R6 system.



Note: If the R6 unit is on, restart the system.