

# Kit Instructions

Bulk Access Safe Door

7360-K994  
Issue A



---

The product described in this document is a licensed product of NCR Corporation.

NCR is a registered trademark of NCR Corporation. NCR FastLane SelfServ™ Checkout is a trademark of NCR Corporation in the United States and/or other countries. Other product names mentioned in this publication may be trademarks or registered trademarks of their respective companies and are hereby acknowledged.

The terms HDMI and HDMI High-Definition Multimedia Interface, and the HDMI Logo are trademarks or registered trademarks of HDMI Licensing LLC in the United States and other countries.

Where creation of derivative works, modifications or copies of this NCR copyrighted documentation is permitted under the terms and conditions of an agreement you have with NCR, NCR's copyright notice must be included.

It is the policy of NCR Corporation (NCR) to improve products as new technology, components, software, and firmware become available. NCR, therefore, reserves the right to change specifications without prior notice.

All features, functions, and operations described herein may not be marketed by NCR in all parts of the world. In some instances, photographs are of equipment prototypes. Therefore, before using this document, consult with your NCR representative or NCR office for information that is applicable and current.

To maintain the quality of our publications, we need your comments on the accuracy, clarity, organization, and value of this book. Please use the link below to send your comments.

*EMail:* [FD230036@ncr.com](mailto:FD230036@ncr.com)

Copyright © 2017  
By NCR Corporation  
Duluth, GA U.S.A.  
All Rights Reserved

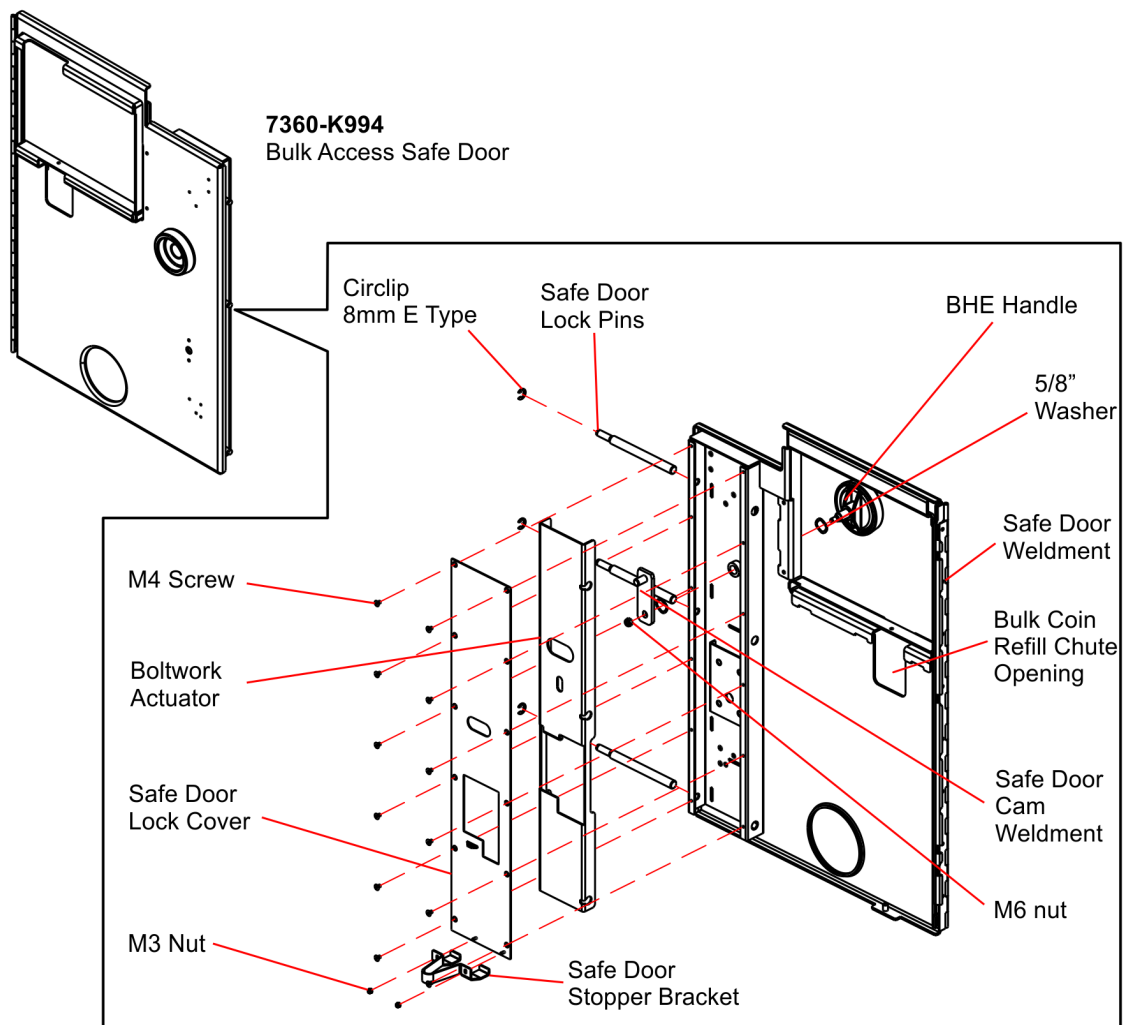
### Revision Record

Issue	Date	Remarks
A	Dec 2017	First release.

# Bulk Access Safe Door

This kit provides the components to replace the internal security door with a Bulk Access Safe Door, which provides an opening for the Bulk Refill Chute of the CR5000 Coin Recycler for the NCR FastLane SelfServ™ Checkout (7360).

## Kit Contents



CCP-73041

## Installation Procedures

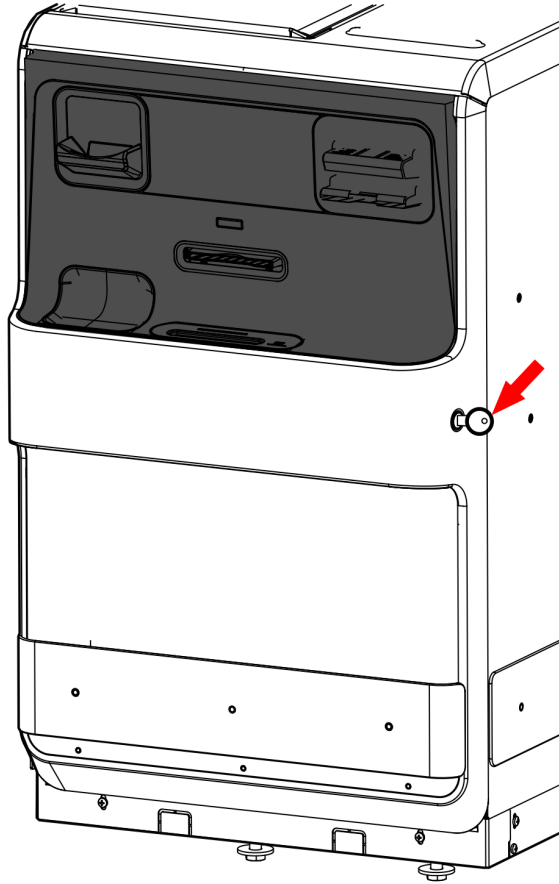
To replace the internal security door with the Bulk Access Safe Door, follow these procedures:

- A. [Removing Internal Security Door](#) on the facing page.
- B. [Installing Bulk Access Safe Door](#) on page 11.

# Removing Internal Security Door

To remove the internal security door, follow these steps:

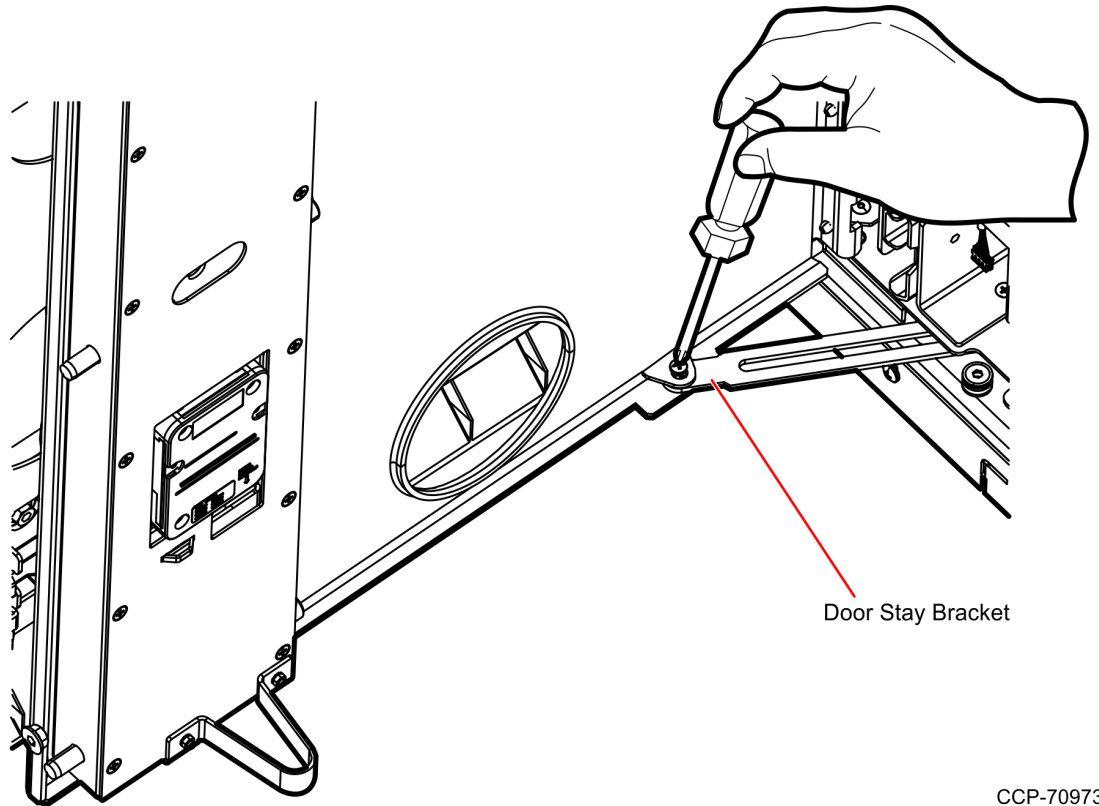
1. Unlock and then open the NCR FastLane SelfServ™ Checkout (7360) External Door, using a key.



CCP-61338

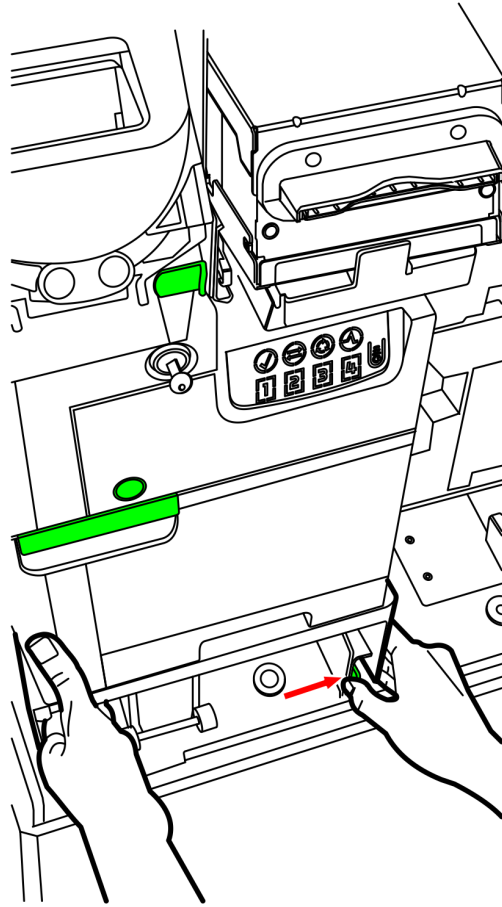
2. Depending on the type of security lock, unlock and then open the NCR FastLane SelfServ™ Checkout (7360) internal security door.

3. Remove the screw from the Door Stay bracket as shown in the image below.



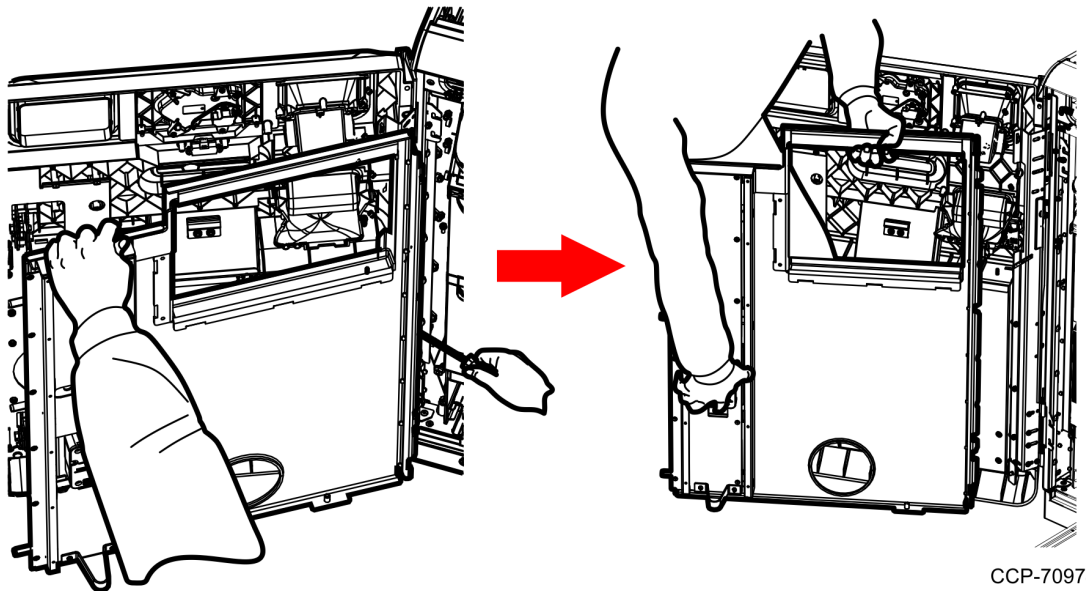
CCP-70973

4. Rack out the CR5000 Coin Recycler by pushing the green latch to the right and then pulling it out from the cabinet as shown below.



CCP-67018

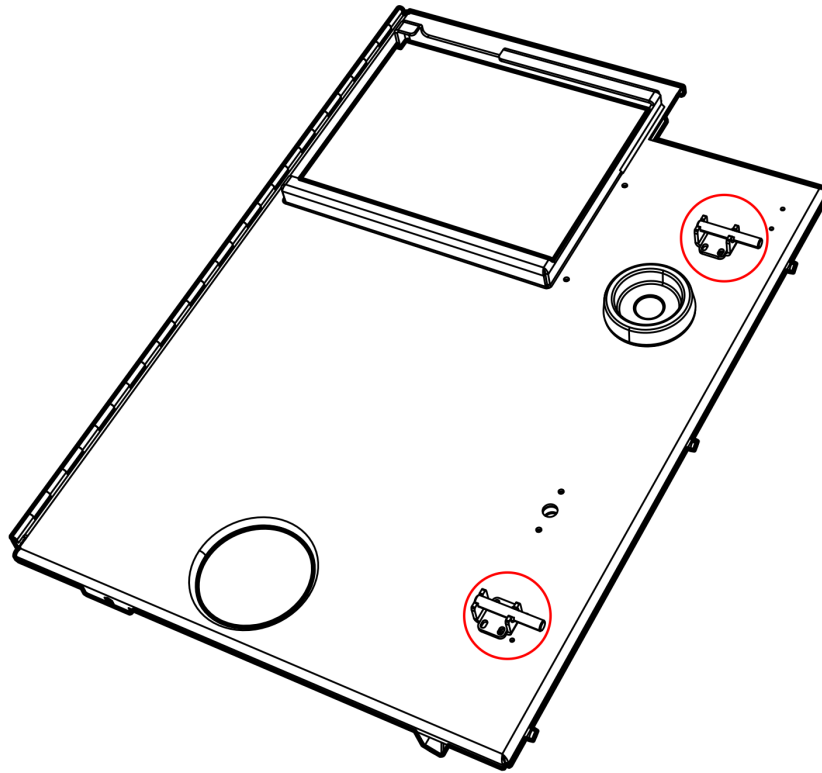
5. Remove screws securing the internal security door and then detach it from the cabinet as shown in the image below.



CCP-70974



6. From the detached internal security door, do the following:
  - a. Remove two door lock brackets as shown in the image below.



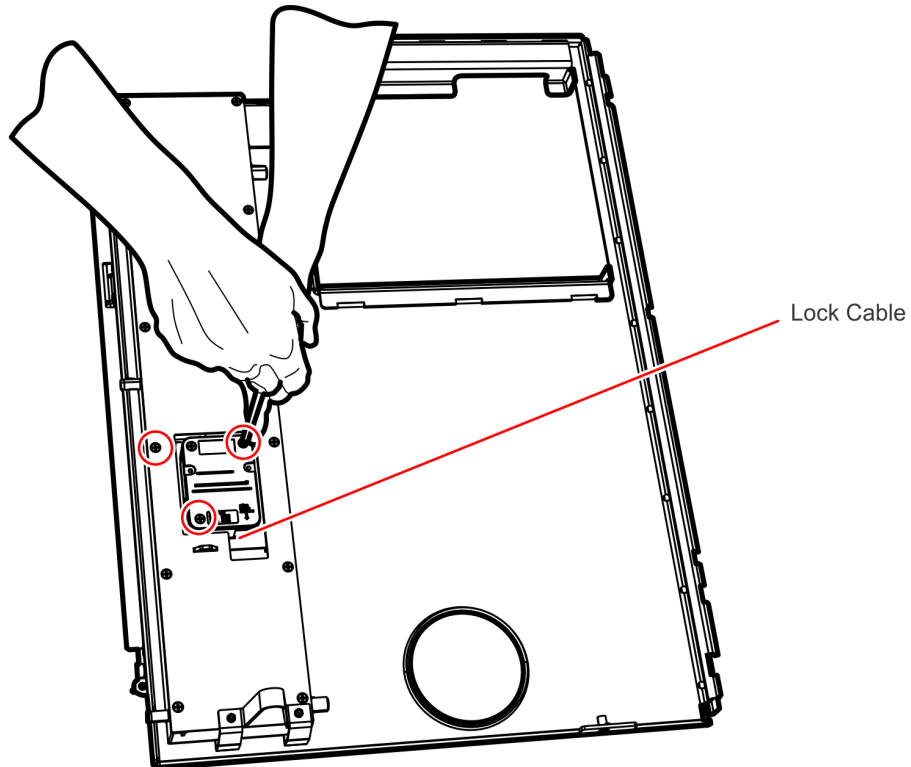
CCP-70980

- b. Depending on the type of security lock, follow these steps.
      - Remove the electronic combination lock from the detached internal security door. For more information, refer to [Removing Electronic Combination Lock](#) on the facing page.
      - Remove the key lock from the detached internal security door. For more information, refer to [Removing Key Lock](#) on page 9.
  7. Install the Bulk Access Safe Door. For more information, refer to [Installing Bulk Access Safe Door](#) on page 11.

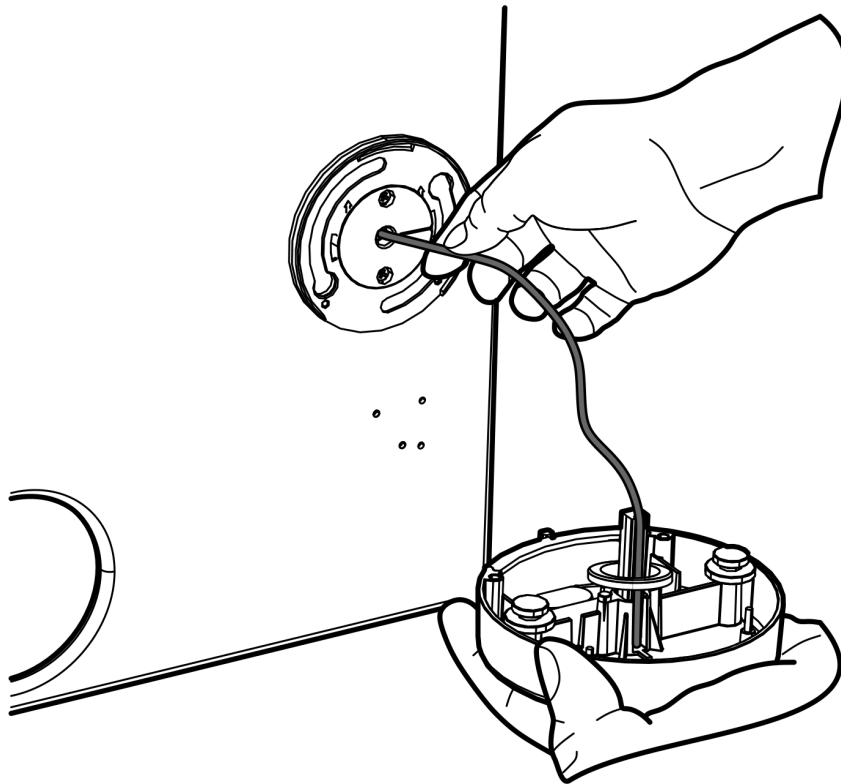
## Removing Electronic Combination Lock

To remove the electronic combination lock from the detached internal security door, follow these steps:

1. Remove three screws securing the internal security lock to the door and then disconnect the cable from the security lock.

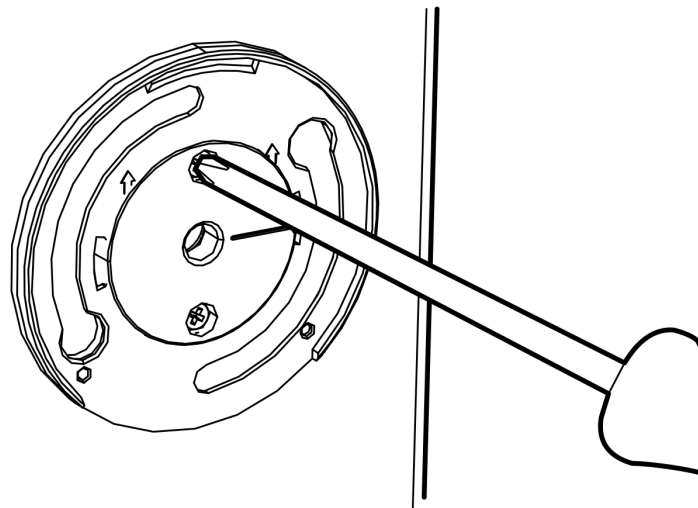


2. From the front of the door, hold the lock keypad and then pull out the cable.



CCP-70977

3. Remove two screws securing the security door lock plastic bracket.



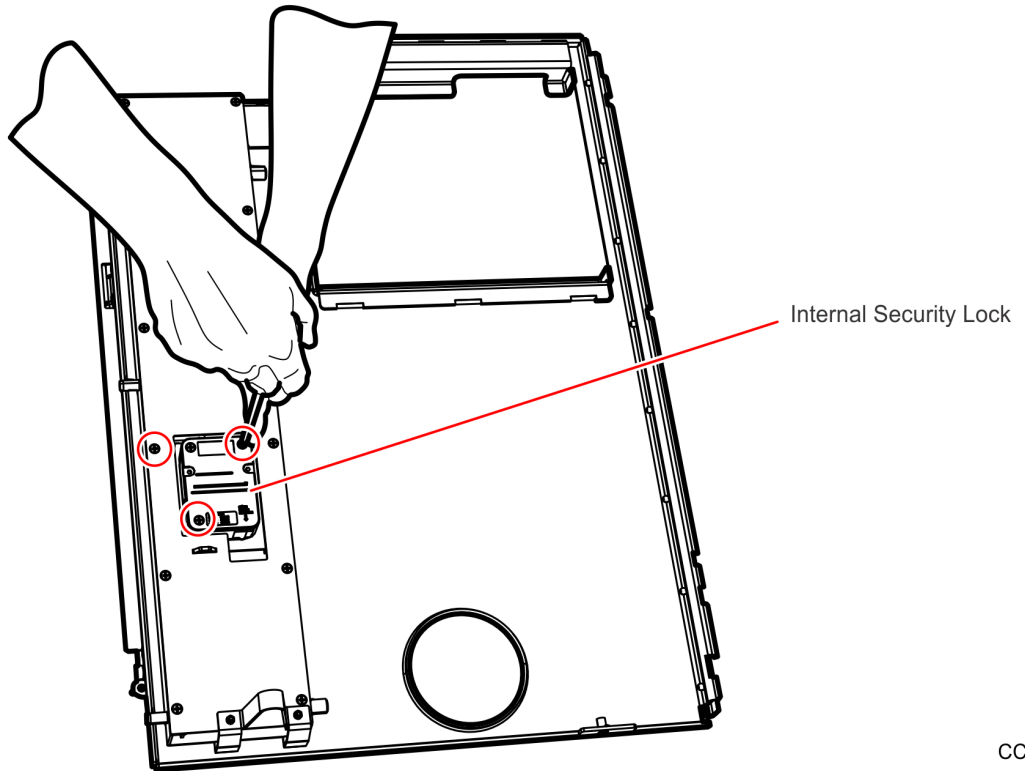
CCP-70978

4. Install the Bulk Access Safe Door. For more information, refer to [Installing Bulk Access Safe Door](#) on page 11.

## Removing Key Lock

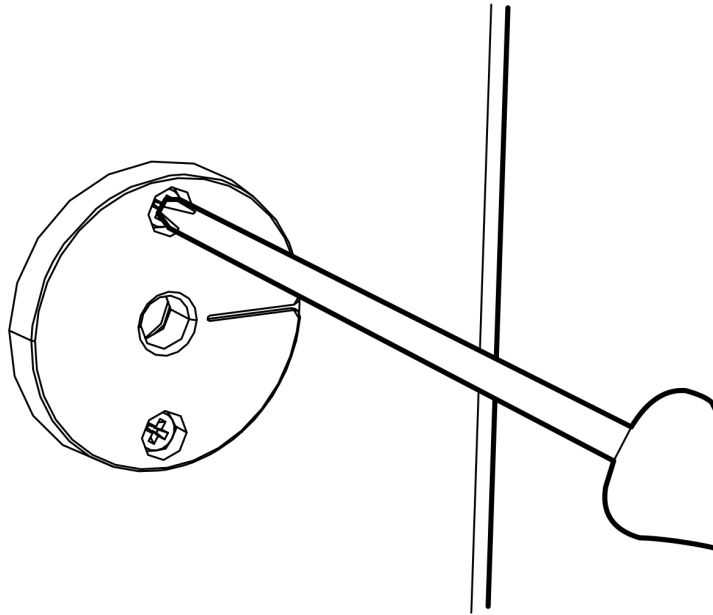
To remove the key lock from the detached internal security door, follow these steps:

1. Remove three screws securing the internal security lock to the door.



CCP-73045

2. From the front of the door, remove two screws securing the key lock.



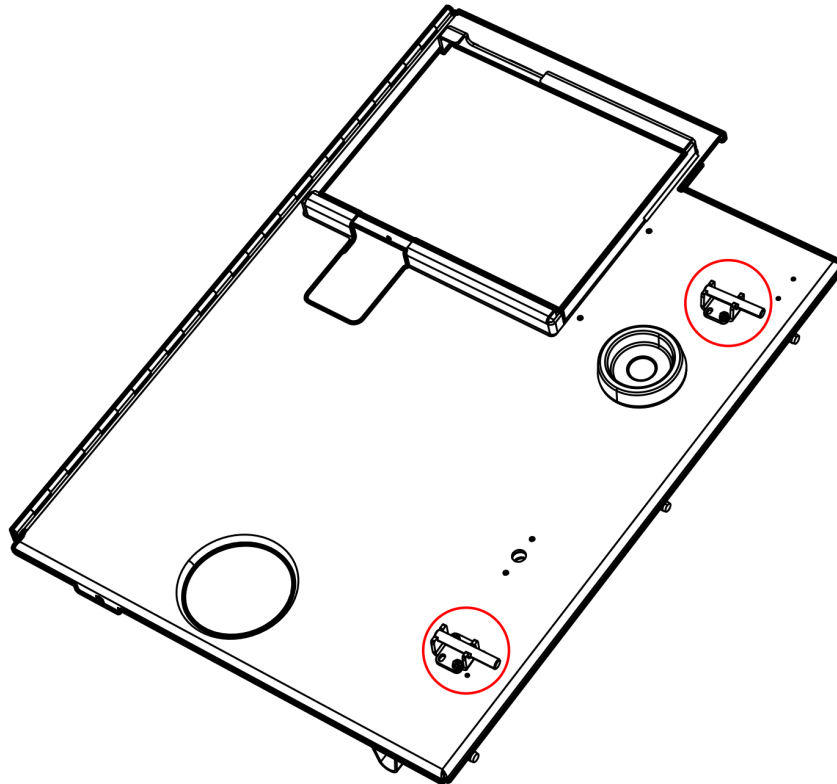
CCP-73044

3. Install the Bulk Access Safe Door. For more information, refer to [Installing Bulk Access Safe Door](#) on the facing page.

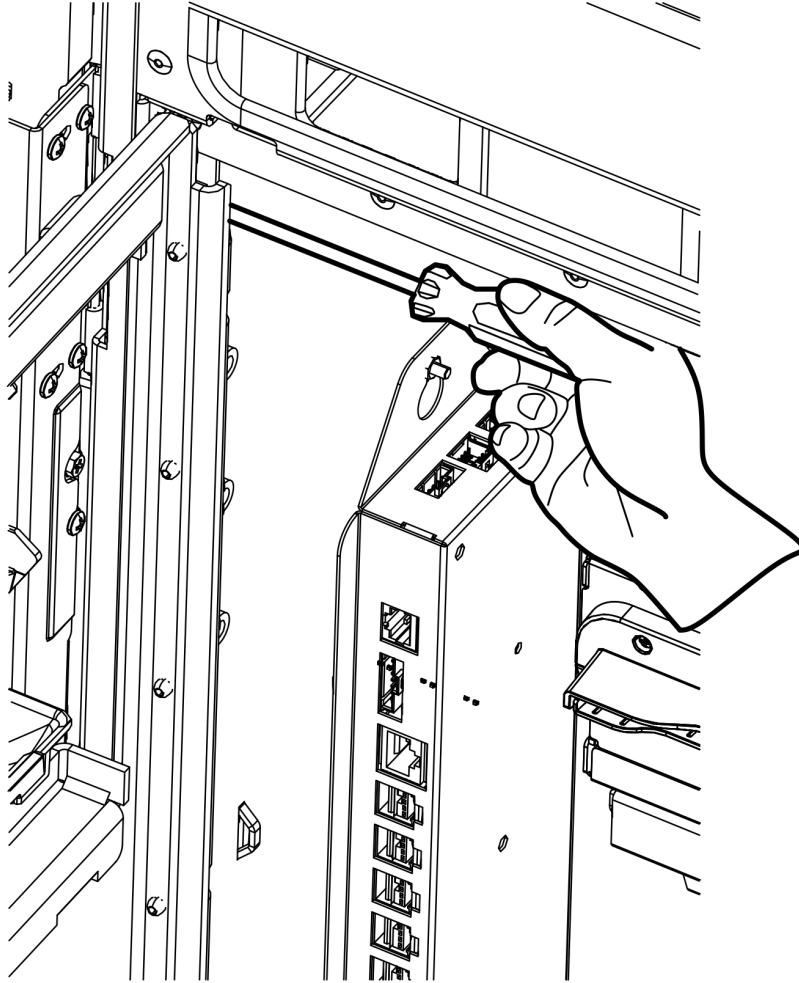
# Installing Bulk Access Safe Door

To install the Bulk Access Safe Door, follow these steps:

1. Remove the existing internal security door. For more information refer to [Removing Internal Security Door](#) on page 3.
2. Depending on the type of security lock, follow these steps.
  - Install the electronic combination lock on the Bulk Access Safe Door. For more information, refer to [Installing Electronic Combination Lock](#) on page 16.
  - Install the key lock on the Bulk Access Safe Door. For more information, refer to [Installing Key Lock](#) on page 18.
3. Install two door lock brackets on the Bulk Access Safe Door as shown in the image below.

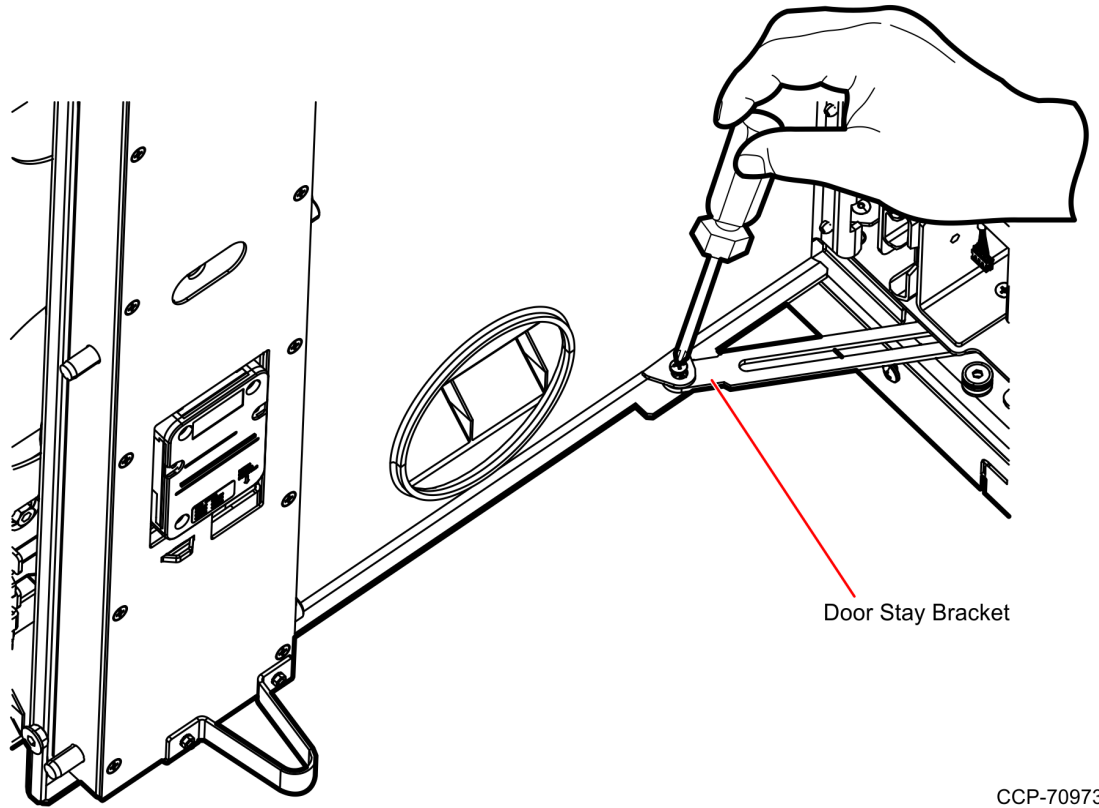


4. Install the Bulk Access Safe Door to the core cabinet using eight screws.



CCP-70992

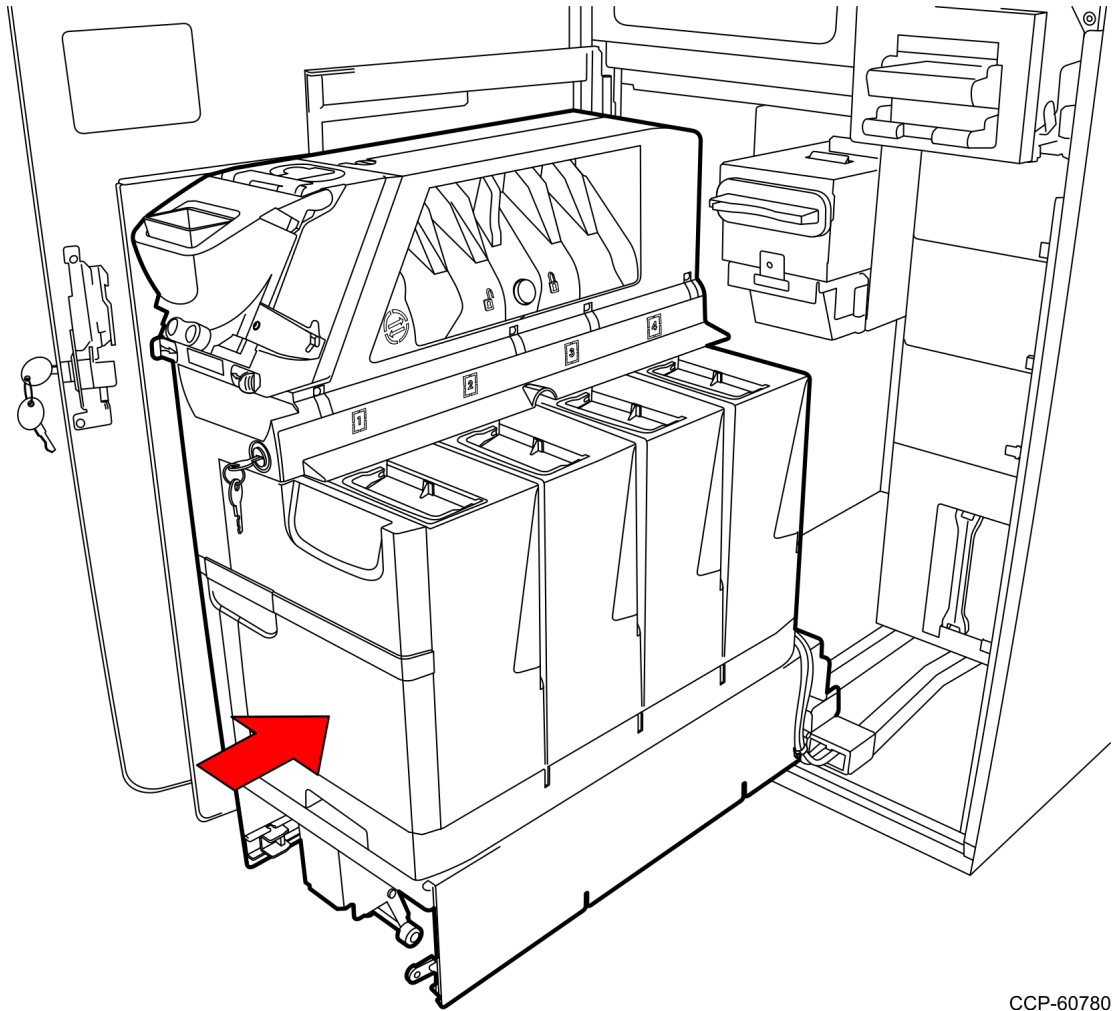
5. Using a screw, secure the Door Stay Bracket as shown in the image below.



CCP-70973



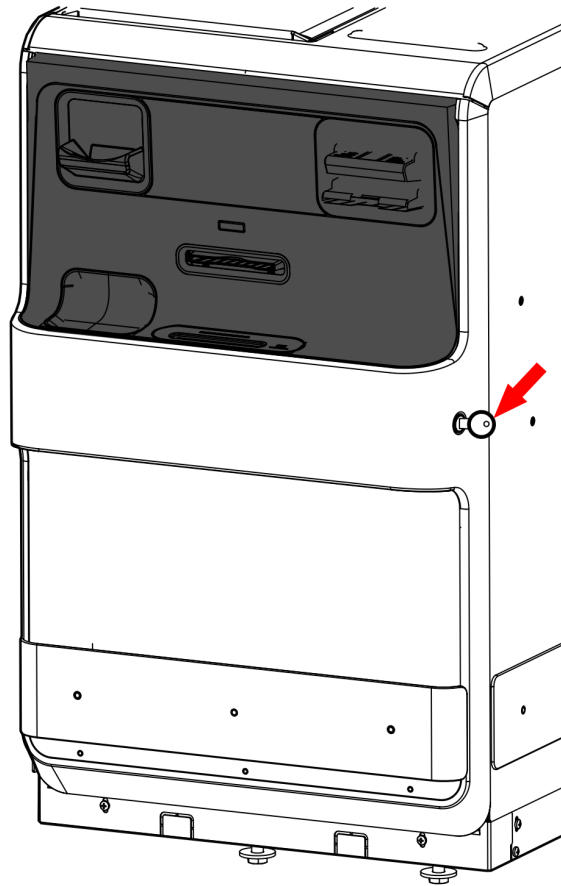
6. Push the CR5000 Coin Recycler back into the main unit.



CCP-60780

7. Depending on the type of security lock, close and lock the Bulk Access Safe Door.

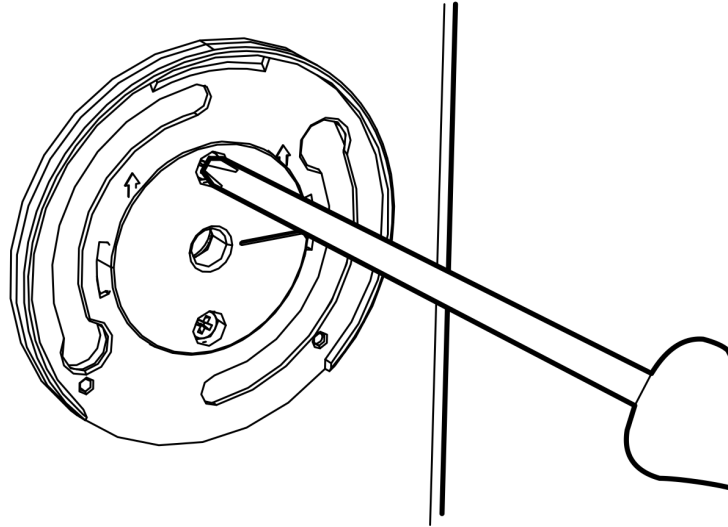
8. Close and lock the NCR FastLane SelfServ™ Checkout (7360) External Door using a key.



## Installing Electronic Combination Lock

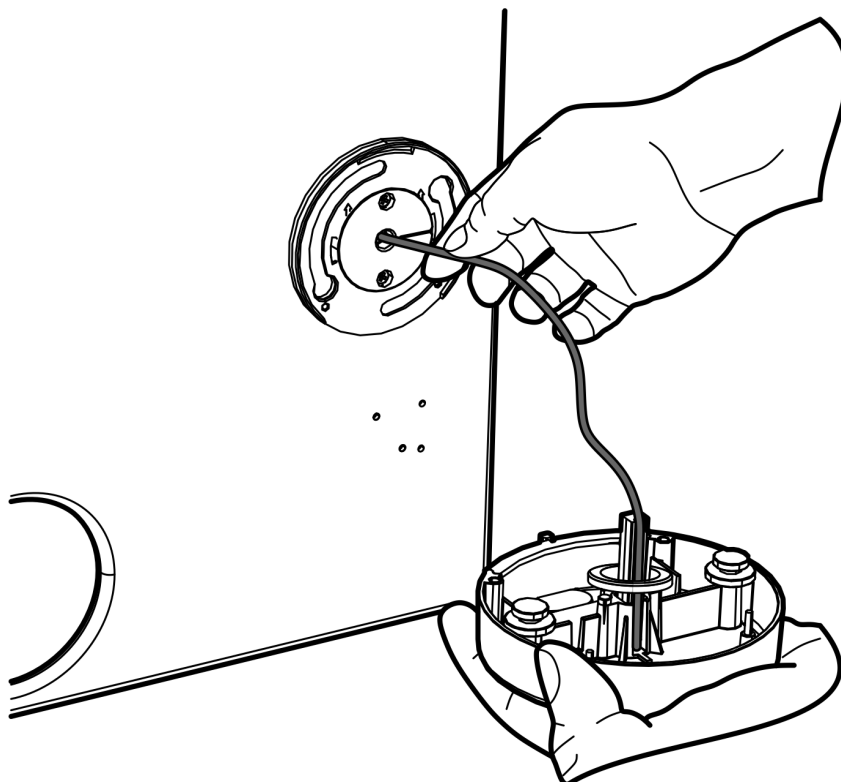
To install the electronic combination lock on the Bulk Access Safe Door, follow these steps:

1. On the front of the Bulk Access Safe Door, install the internal security door lock plastic bracket and secure it with two screws..



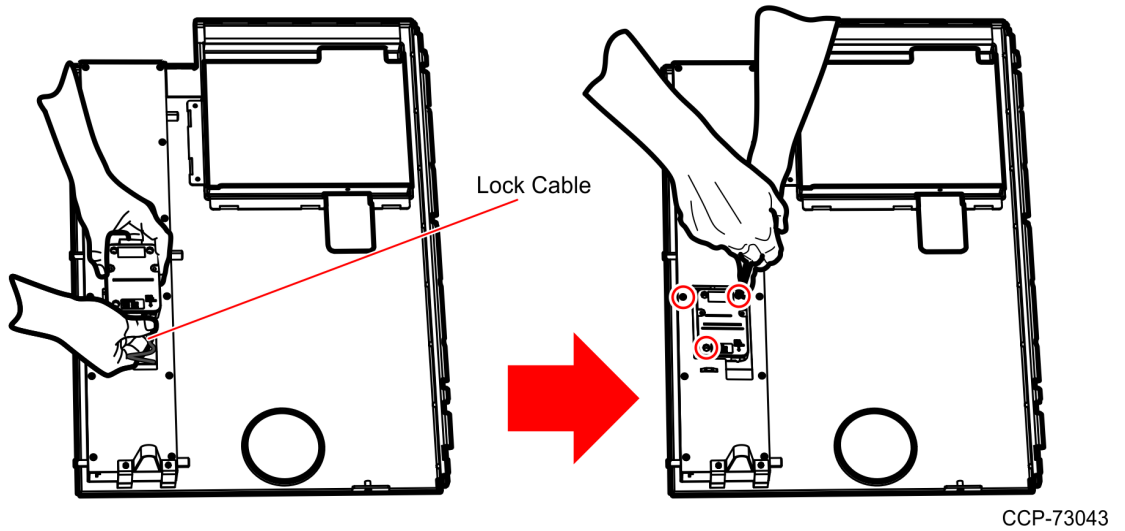
CCP-70978

2. Insert the lock cable and then install the lock keypad on the plastic bracket as shown in the image below.



CCP-70977

3. Connect the lock cable and then install the security lock on the Bulk Access Safe Door.

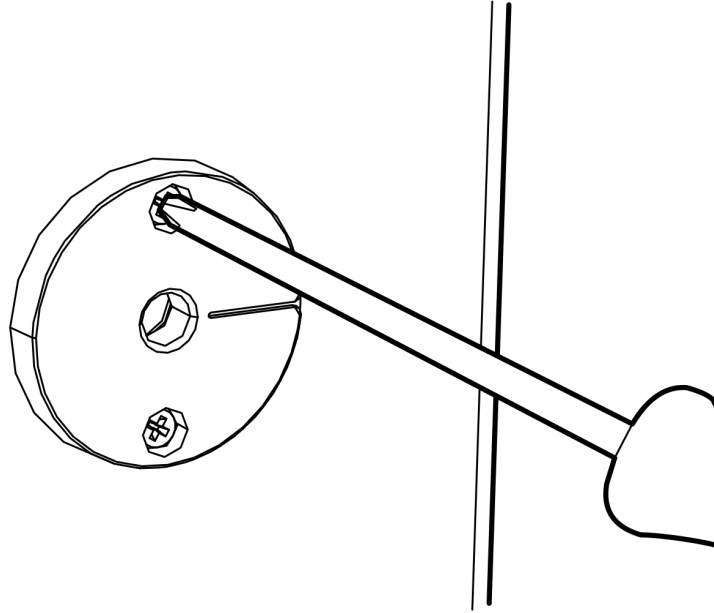


4. Install two door lock brackets on the Bulk Access Safe Door. For more information, refer to [Installing Bulk Access Safe Door](#) on page 11.

## Installing Key Lock

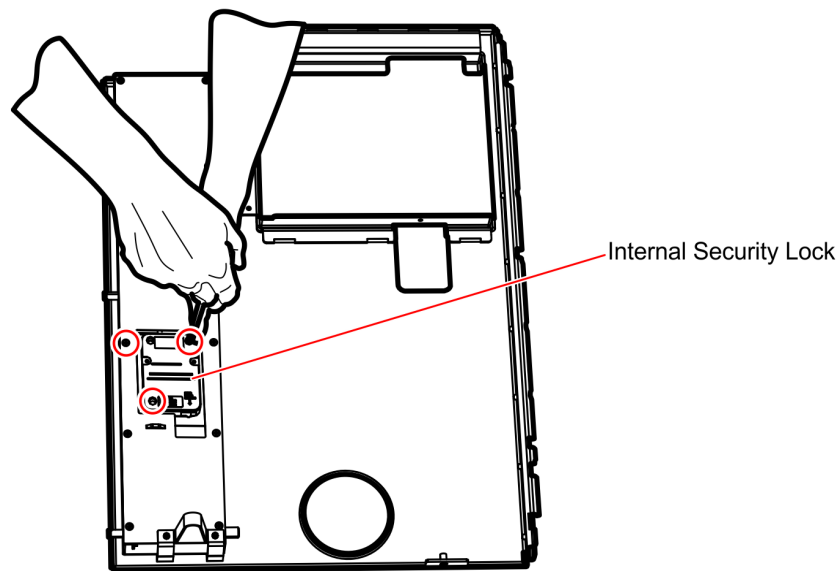
To install the key lock on the Bulk Access Safe Door, follow these steps:

1. On the front of the Bulk Access Safe Door, install two screws securing the key lock.



CCP-73044

2. Install the security lock on the Bulk Access Safe Door shown in the image below.



CCP-73046

3. Install two door lock brackets on the Bulk Access Safe Door. For more information, refer to [Installing Bulk Access Safe Door](#) on page 11.