

# Kit Instructions

Custom Bag Rack

7360-K952  
Issue A



---

The product described in this document is a licensed product of NCR Corporation.

NCR is a registered trademark of NCR Corporation. NCR FastLane SelfServ™ Checkout is a trademark of NCR Corporation in the United States and/or other countries. Other product names mentioned in this publication may be trademarks or registered trademarks of their respective companies and are hereby acknowledged.

The terms HDMI and HDMI High-Definition Multimedia Interface, and the HDMI Logo are trademarks or registered trademarks of HDMI Licensing LLC in the United States and other countries.

Where creation of derivative works, modifications or copies of this NCR copyrighted documentation is permitted under the terms and conditions of an agreement you have with NCR, NCR's copyright notice must be included.

It is the policy of NCR Corporation (NCR) to improve products as new technology, components, software, and firmware become available. NCR, therefore, reserves the right to change specifications without prior notice.

All features, functions, and operations described herein may not be marketed by NCR in all parts of the world. In some instances, photographs are of equipment prototypes. Therefore, before using this document, consult with your NCR representative or NCR office for information that is applicable and current.

To maintain the quality of our publications, we need your comments on the accuracy, clarity, organization, and value of this book. Please use the link below to send your comments.

*EMail:* [FD230036@ncr.com](mailto:FD230036@ncr.com)

Copyright © 2018  
By NCR Corporation  
Atlanta, GA U.S.A.  
All Rights Reserved

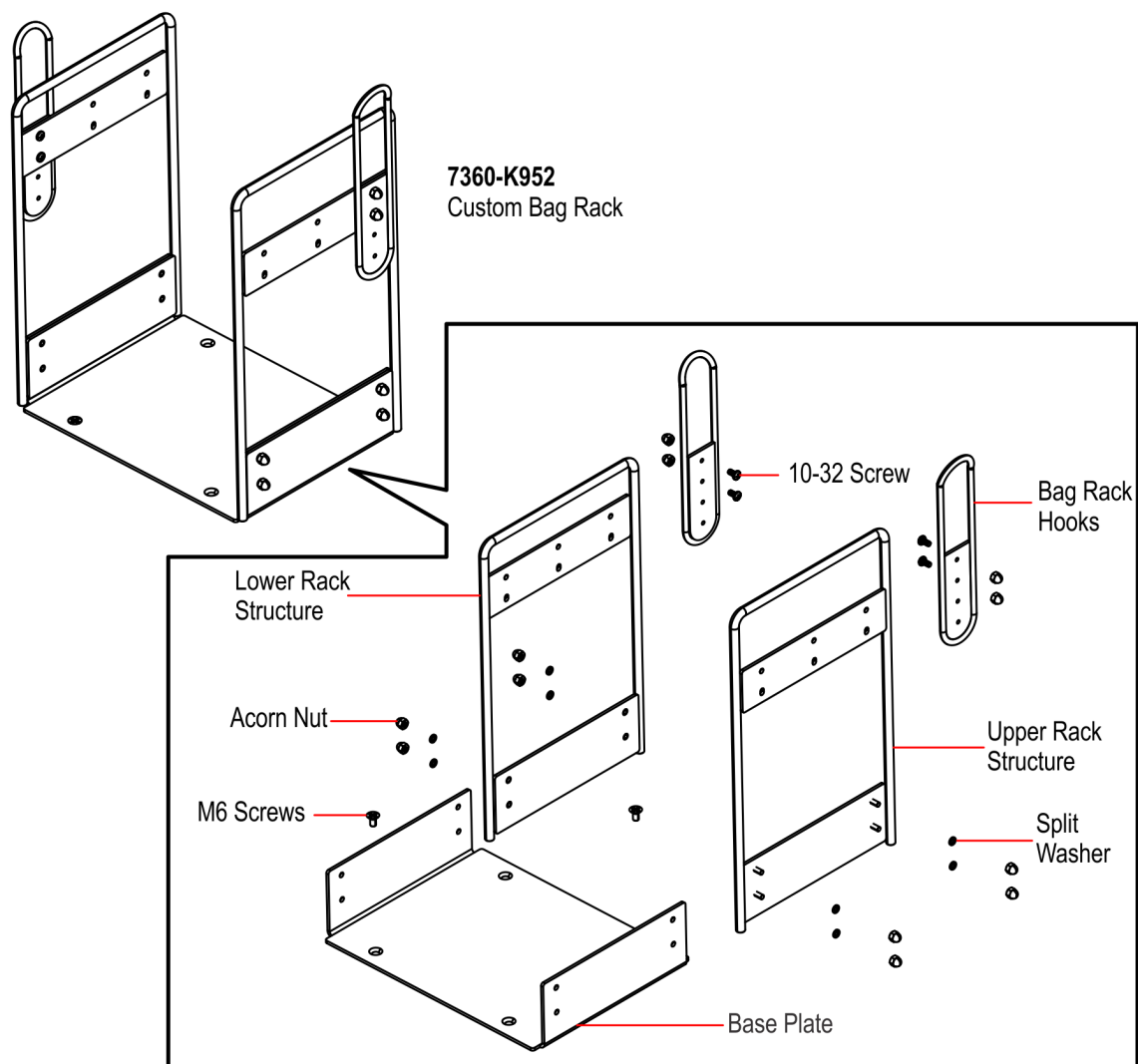
### Revision Record

Issue	Date	Remarks
A	March 2018	First release.

# Custom Bag Rack

This publication provides procedures for installing a Custom Bag Rack on the Scale Tray of an NCR FastLane SelfServ™ Checkout (7360) unit.

## Kit Contents



CCP-73260

## Installation Procedures

Installing the Custom Bag Rack on the NCR FastLane SelfServ™ Checkout (7360) unit involves the following procedures:

- A. [Assembling Custom Bag Rack](#) on the facing page.
- B. [Installing Custom Bag Rack on Scale Tray](#) on page 6.

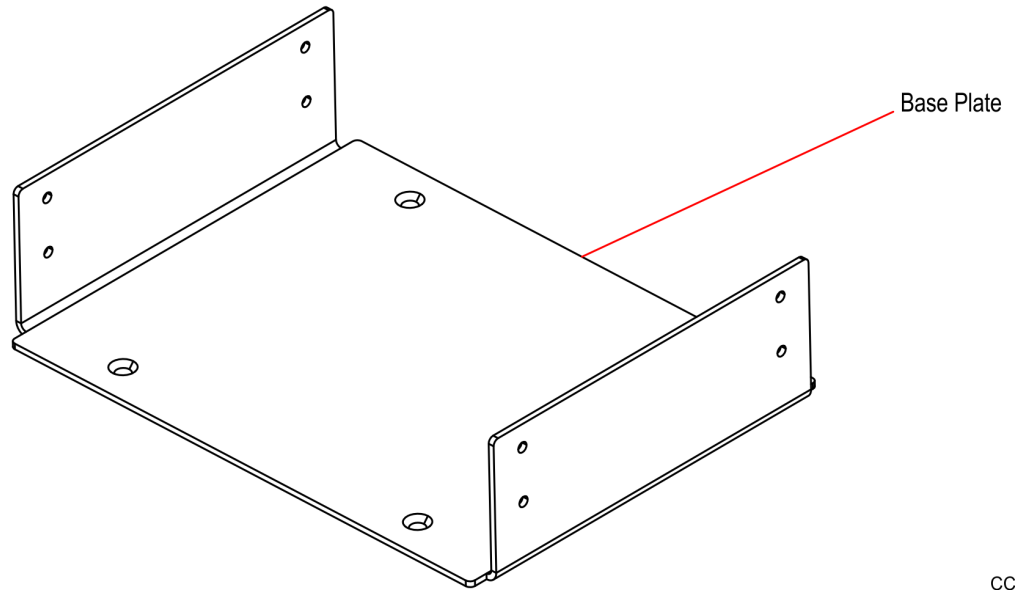


**Note:** It is highly recommended to use screwdrivers with torque limiter that are magnetized in order to handle the screws easily.

# Assembling Custom Bag Rack

To assemble the Custom Bag Rack, follow these steps:

1. Position the Base plate as shown in the image below.

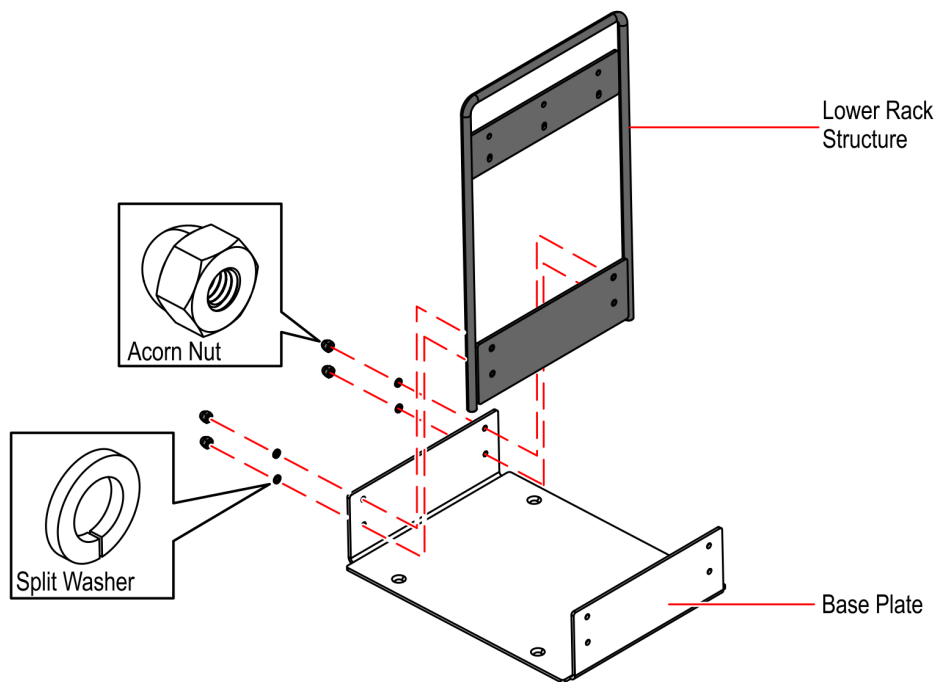


CCP-73261

2. Attach the Lower Rack structure on one side of the Base plate using four Acorn nuts. Each nut has a split washer.



**Note:** Set the nut driver torque limiter to 26 in-lbs.

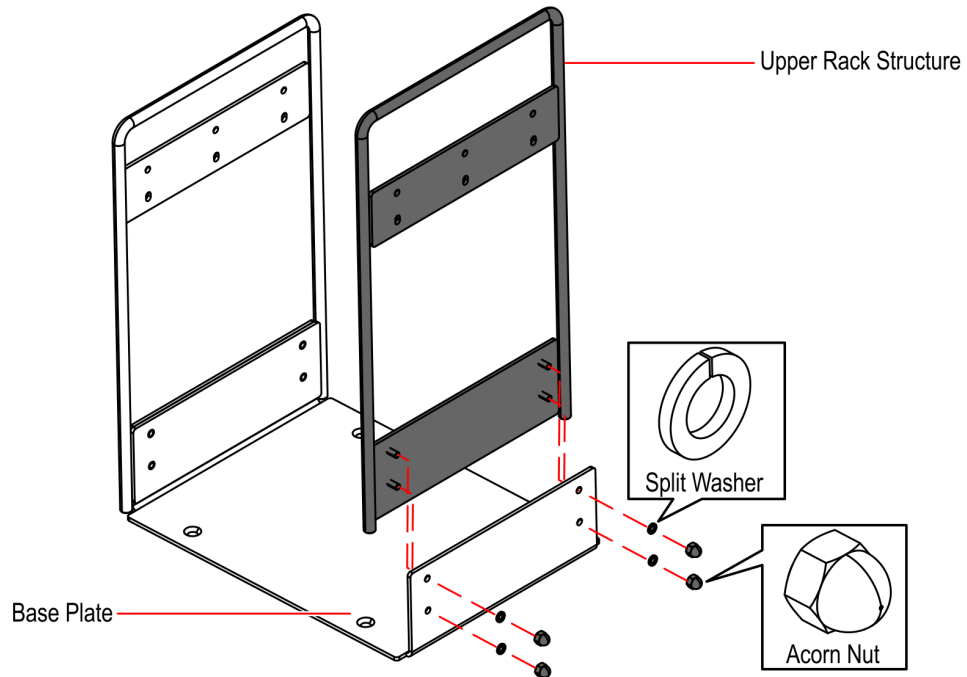


CCP-73262

3. Attach the Upper Rack structure on the other side of the Base plate using 4 Acorn nuts. Each nut has a split washer.



**Note:** Set the nut driver torque limiter to 26 in-lbs.

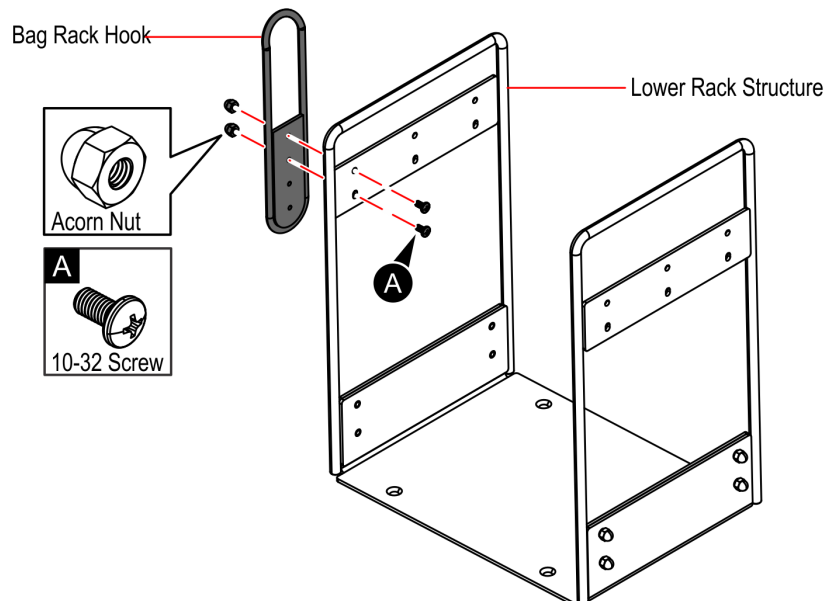


CCP-73263

4. Install two Bag Rack Hooks, by doing the following:
  - a. Determine the position of each Bag Rack Hook according to their usage.
  - b. Attach one Bag Rack Hook to the Lower Rack structure using two 10-32 screws and two Acorn nuts as shown in the image below.



**Note:** Set the screw driver torque limiter to 20 in-lbs.

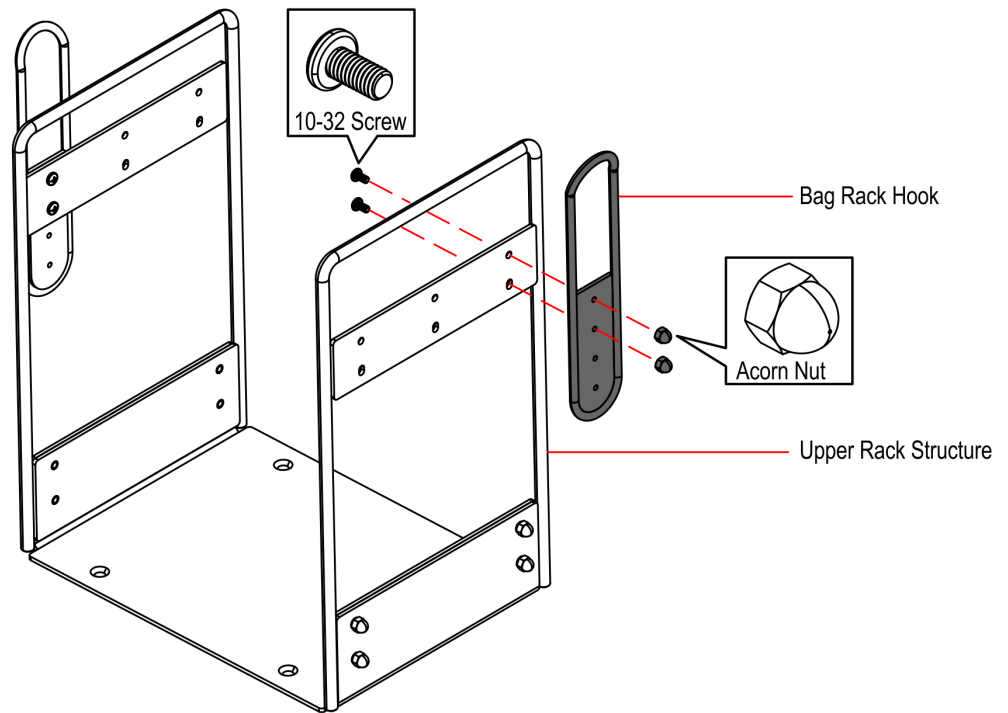


CCP-73264

- c. Attach the other Bag Rack Hook to the Upper Rack structure using two 10-32 screws and two Acorn nuts as shown in the image below.



**Note:** Set the screw driver torque limiter to 20 in-lbs.



CCP-73265

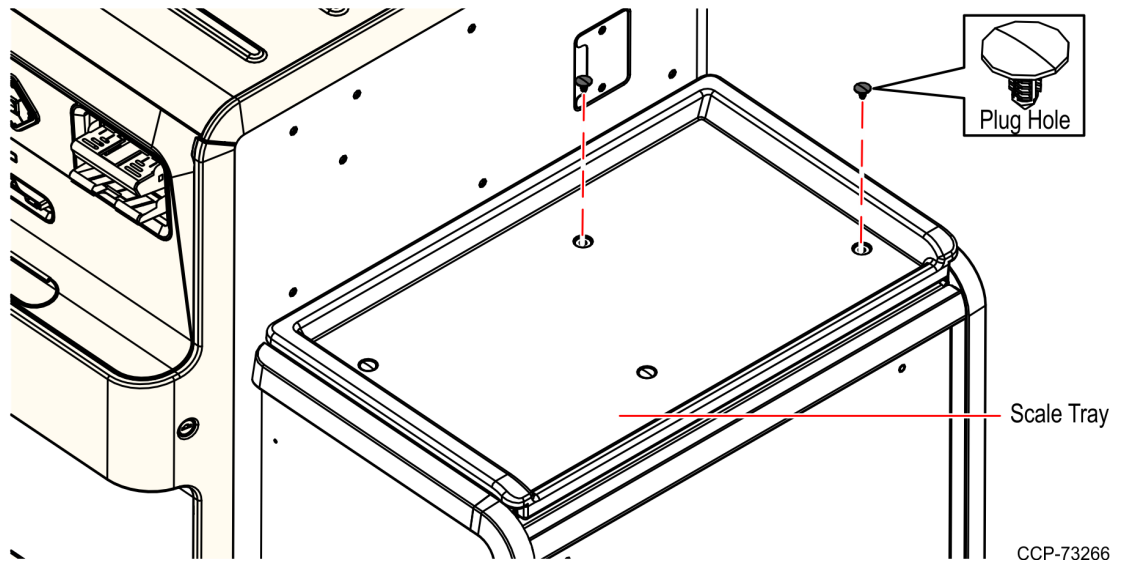
5. Install the Custom Bag Rack on the Scale Tray. For more information refer to [\*Installing Custom Bag Rack on Scale Tray\*](#) on the next page.



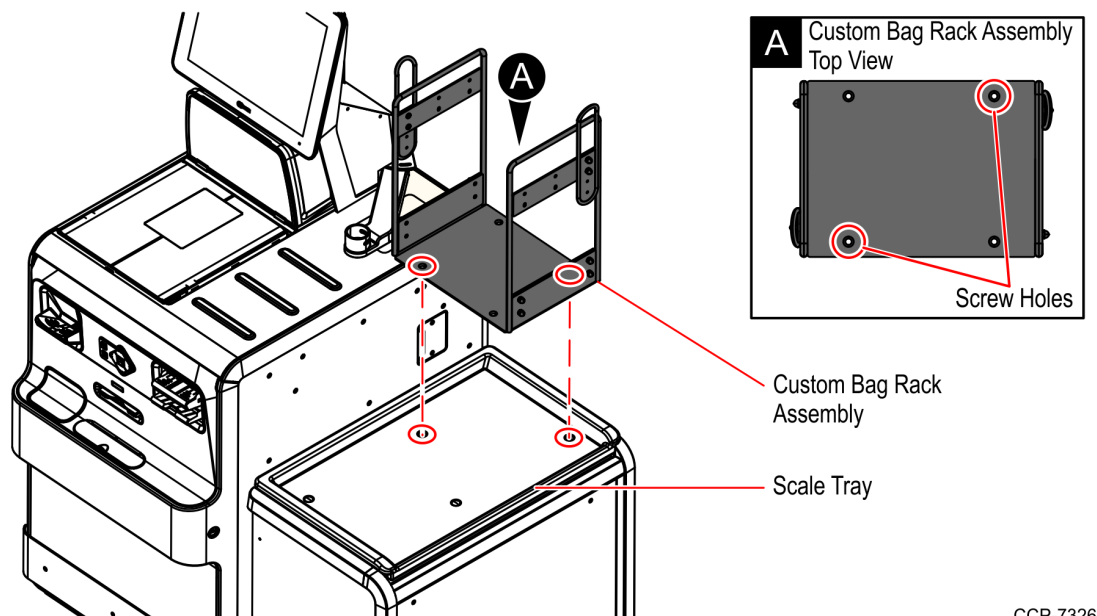
# Installing Custom Bag Rack on Scale Tray

To install the Custom Bag Rack on the Scale Tray, follow these steps:

1. Assemble the Custom Bag Rack. For more information refer to [Assembling Custom Bag Rack](#) on page 3.
2. Remove plug holes from the Scale Tray, if necessary.



3. Align the Custom Bag Rack assembly with the two screw holes on the Scale Tray.



4. Secure the Custom Bag Rack to the Scale Tray using two M6 screws.



**Note:** Set the screw driver torque limiter to 22 in-lbs.

