

Kit Instructions

Internal Key

7360-K930 to K939
Issue B



The product described in this document is a licensed product of NCR Corporation.

NCR is a registered trademark of NCR Corporation. NCR FastLane SelfServ™ Checkout is a trademark of NCR Corporation in the United States and/or other countries. Other product names mentioned in this publication may be trademarks or registered trademarks of their respective companies and are hereby acknowledged.

The terms HDMI and HDMI High-Definition Multimedia Interface, and the HDMI Logo are trademarks or registered trademarks of HDMI Licensing LLC in the United States and other countries.

Where creation of derivative works, modifications or copies of this NCR copyrighted documentation is permitted under the terms and conditions of an agreement you have with NCR, NCR's copyright notice must be included.

It is the policy of NCR Corporation (NCR) to improve products as new technology, components, software, and firmware become available. NCR, therefore, reserves the right to change specifications without prior notice.

All features, functions, and operations described herein may not be marketed by NCR in all parts of the world. In some instances, photographs are of equipment prototypes. Therefore, before using this document, consult with your NCR representative or NCR office for information that is applicable and current.

To maintain the quality of our publications, we need your comments on the accuracy, clarity, organization, and value of this book. Please use the link below to send your comments.

EMail: FD230036@ncr.com

Copyright © 2016-2017

By NCR Corporation

Duluth, GA U.S.A.

All Rights Reserved

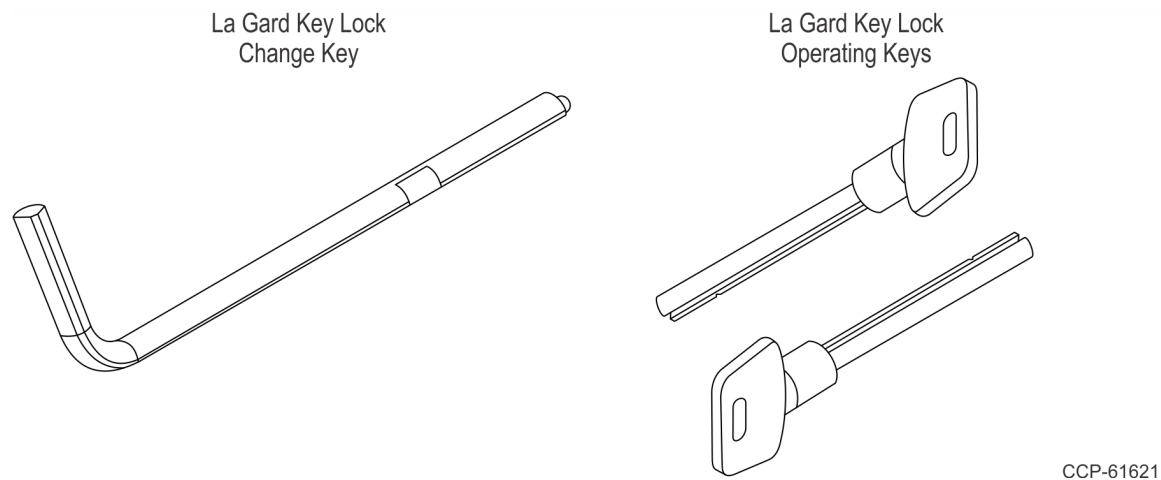
Revision Record

Issue	Date	Remarks
A	Sep 2016	First issue.
B	Jun 2017	Updated IP PDF template.

Internal Key

The kit contains a Change Key and four pairs of Operating Keys for the La Gard Key Lock of the NCR FastLane SelfServ™ Checkout 7360. There are ten different Internal Key Kits.

Kit Contents



CCP-61621

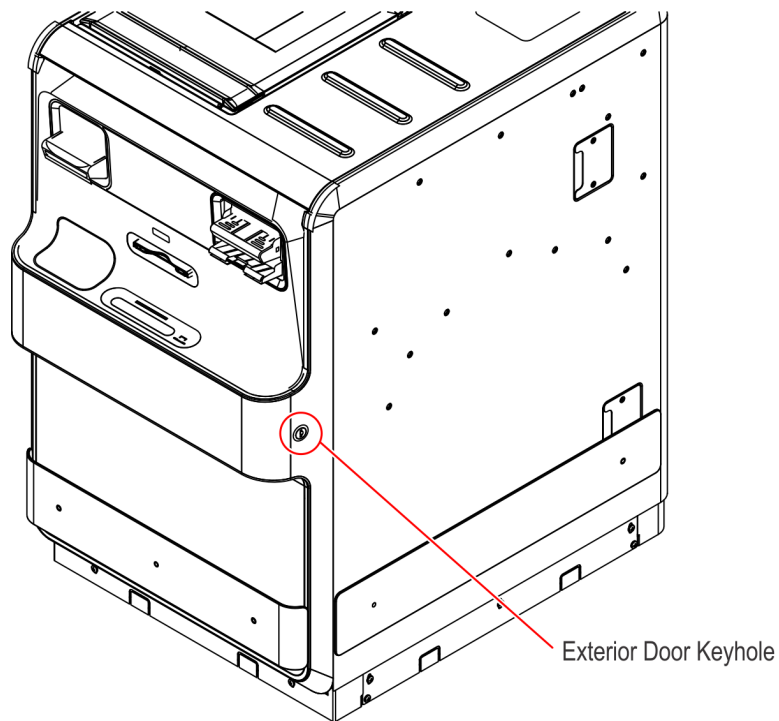
Kit Number	Key Code
7360-K930	17, 5, 9, 12
7360-K931	6, 14, 16, 8
7360-K932	15, 7, 16, 1
7360-K933	11, 17, 15, 3
7360-K934	3, 14, 2, 5
7360-K935	4, 10, 8, 5
7360-K936	15, 13, 3, 5
7360-K937	13, 4, 8, 2
7360-K938	2, 6, 15, 5
7360-K939	11, 9, 7, 4



Note: The key code is necessary in order to receive a replacement or additional Operating Keys.

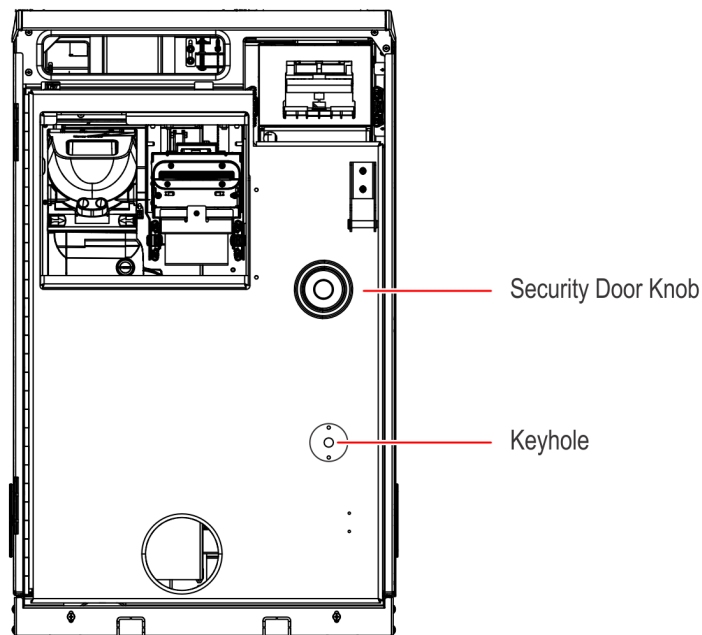
Changing Keys

1. Open the NCR FastLane SelfServ™ Checkout 7360 exterior door using a key.



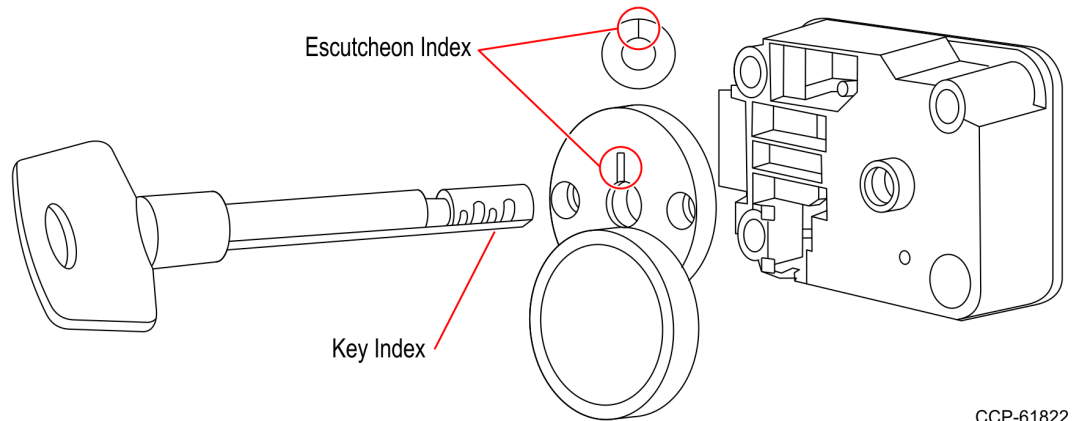
CCP-61628

2. On the Security Door, insert the Setup Key or the current Operating Key through the keyhole.



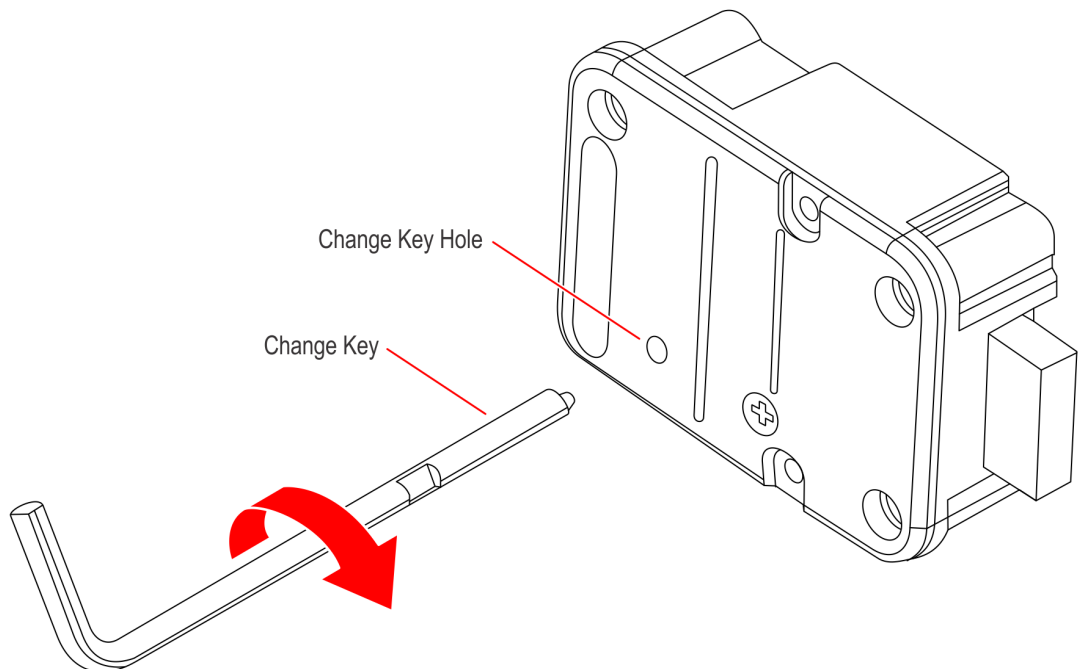
CCP-61629

3. Turn the Setup Key or the current Operating Key clockwise until the Key Index is aligned with the Escutcheon Index. This is indicated by an audible click and the lock bolt cannot be extracted.



CCP-61822

4. Insert the Change Key into the Change Key Hole on the back of the lock.



CCP-61823

5. Turn the Change Key clockwise until it stops. Leave it in the lock.
6. On the front key hole, turn the Setup Key or the current Operating Key counterclockwise and then remove it.
7. Insert the new Operating Key and then turn it clockwise until it stops and the Key Index aligns with the Escutcheon Index.
8. On the back of the lock, turn the Change Key counterclockwise and then remove it. The Key Lock is now set to the New Operating Key.

9. Test the Key Lock several times with the Security Door open by turning the New Operating Key clockwise until it stops and the bolt is retracted.
10. Close the Security Door.
11. Turn the New Operating Key counterclockwise and then remove it.