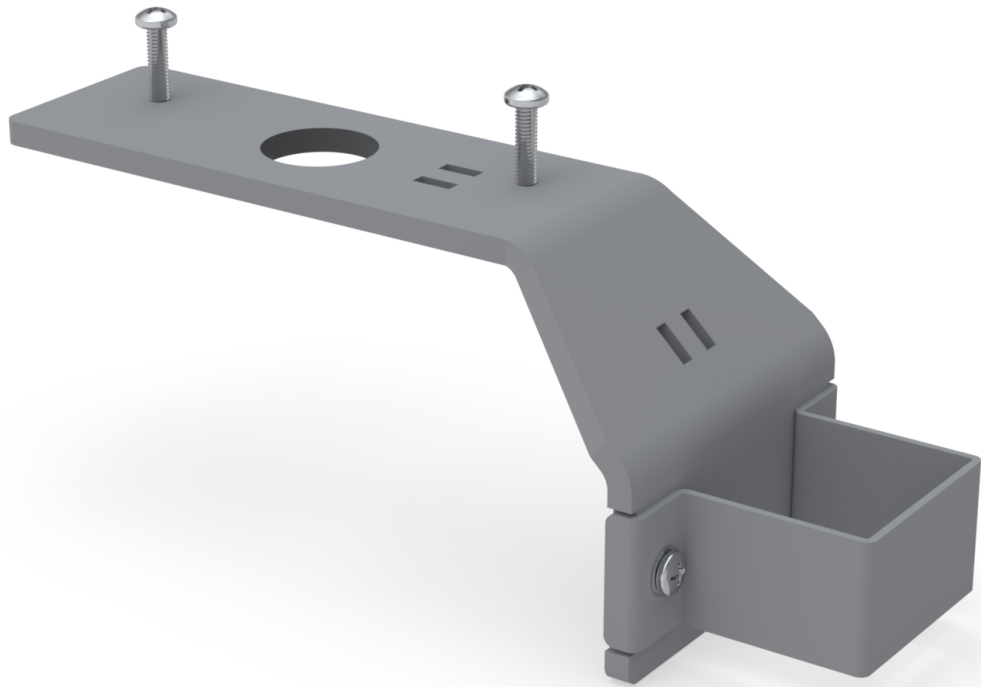


Kit Instructions

Remote Scale Display Mount (NCR 7895
Scanner/Scale)



7360-K912
Issue A



The product described in this document is a licensed product of NCR Corporation.

NCR is a registered trademark of NCR Corporation. NCR FastLane SelfServ™ Checkout is a trademark of NCR Corporation in the United States and/or other countries. Other product names mentioned in this publication may be trademarks or registered trademarks of their respective companies and are hereby acknowledged.

The terms HDMI and HDMI High-Definition Multimedia Interface, and the HDMI Logo are trademarks or registered trademarks of HDMI Licensing LLC in the United States and other countries.

Where creation of derivative works, modifications or copies of this NCR copyrighted documentation is permitted under the terms and conditions of an agreement you have with NCR, NCR's copyright notice must be included.

It is the policy of NCR Corporation (NCR) to improve products as new technology, components, software, and firmware become available. NCR, therefore, reserves the right to change specifications without prior notice.

All features, functions, and operations described herein may not be marketed by NCR in all parts of the world. In some instances, photographs are of equipment prototypes. Software screen images are representative, and in some cases, may not match a customer's installed software exactly. Therefore, before using this document, consult with your NCR representative or NCR office for information that is applicable and current.

To maintain the quality of our publications, we need your comments on the accuracy, clarity, organization, and value of this book. Please use the link below to send your comments.

Email: FD230036@ncr.com

Copyright © 2021
By NCR Corporation
864 Spring St. NW
Atlanta, GA 30308
United States
All Rights Reserved

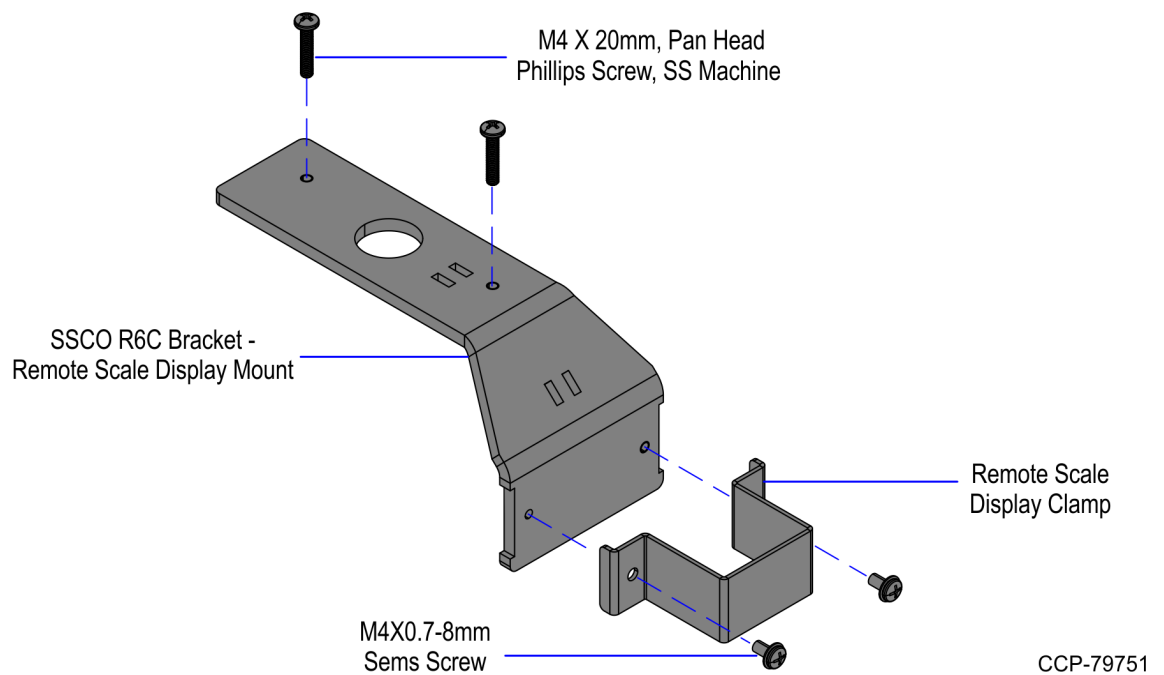
Revision Record

Issue	Date	Remarks
A	July 2021	First Issue

Remote Scale Display Mount (NCR 7895 Scanner/Scale)

This publication provides procedure for installing a Remote Scale Display Mount (NCR 7895 Scanner/Scale) to the NCR FastLane SelfServ™ Checkout (7360).

Kit Contents

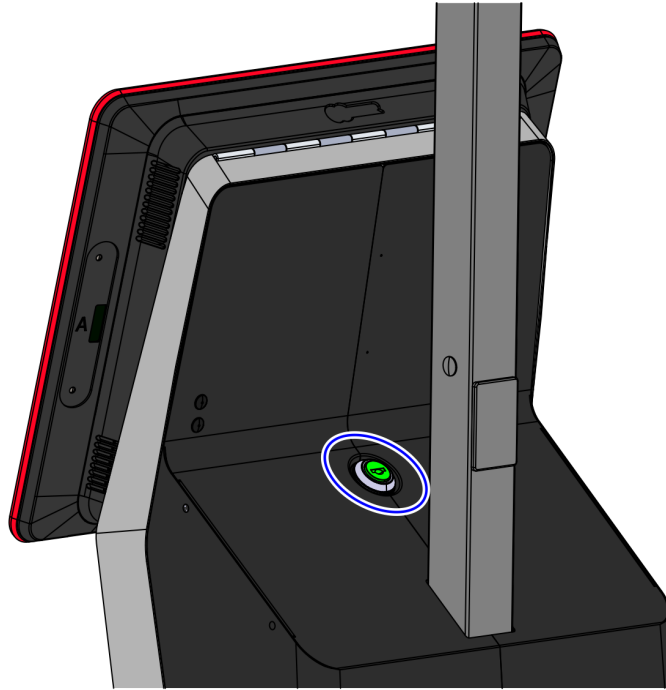


Part Number	Description
497-0529311	SSCO R6C Remote Scale Display Mount (7895 Scanner)
497-0529312	SSCO R6LN+ Remote Scale Display Mount
497-0512016	Remote Scale Display Clamp
006-8611434	M4x0.7-8mm Sems Screw (2pcs)
006-8622923	M4x20mm SS Machine Panhead Phillips Screw (2pcs)
006-8625083	Black Nylon Releasable Cable Tie (5pcs)
007-9714414	5.50LG Plain Tie Strap

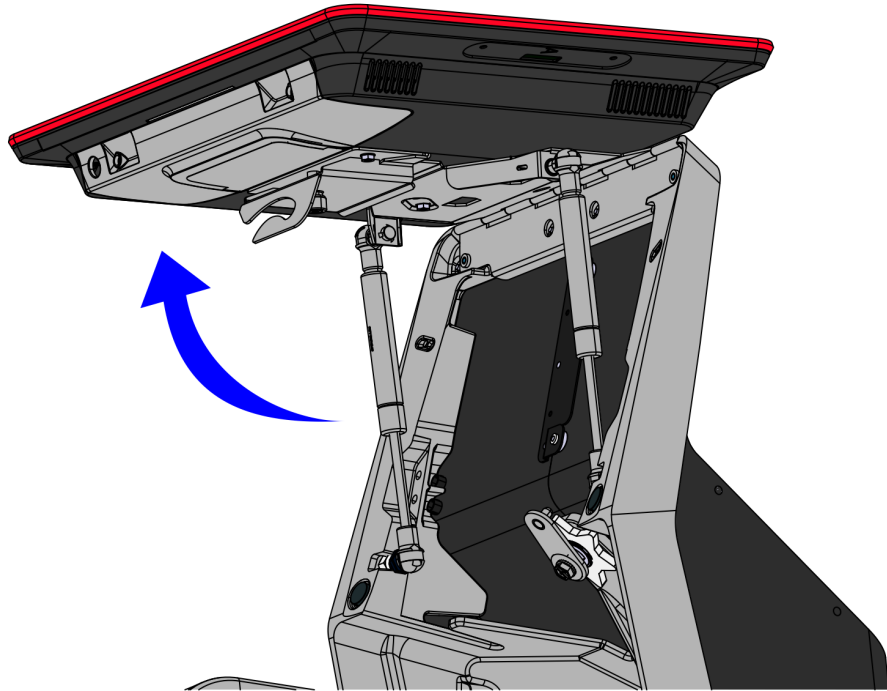
Installation Procedure

To install the Remote Scale Display Mount (NCR 7895 Scanner/Scale), follow these steps:

1. Shut down the NCR FastLane SelfServ™ Checkout software and hardware systems.
2. Unlock the Tower frame from the back panels using a key.

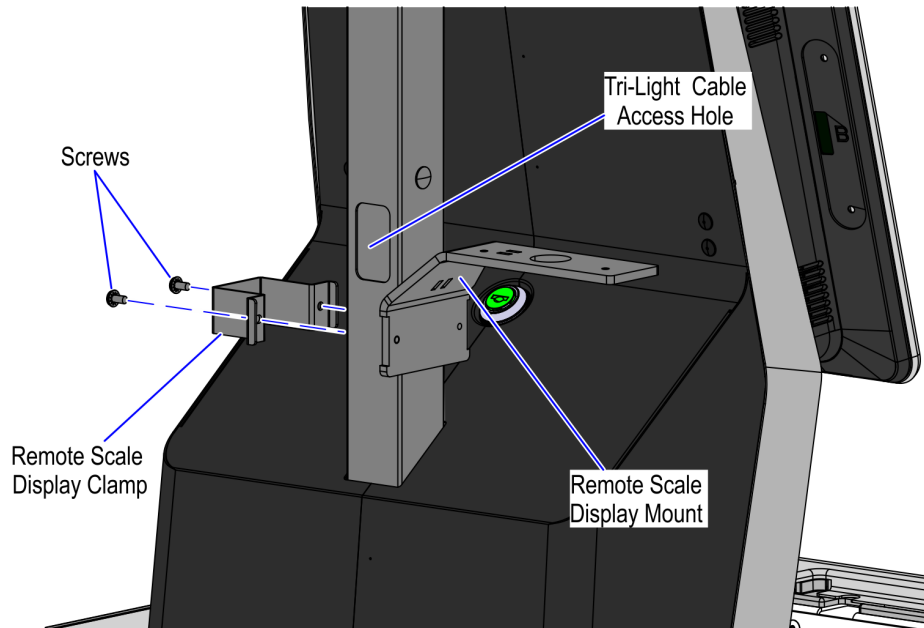


3. Lift the Terminal Display from Tower frame.



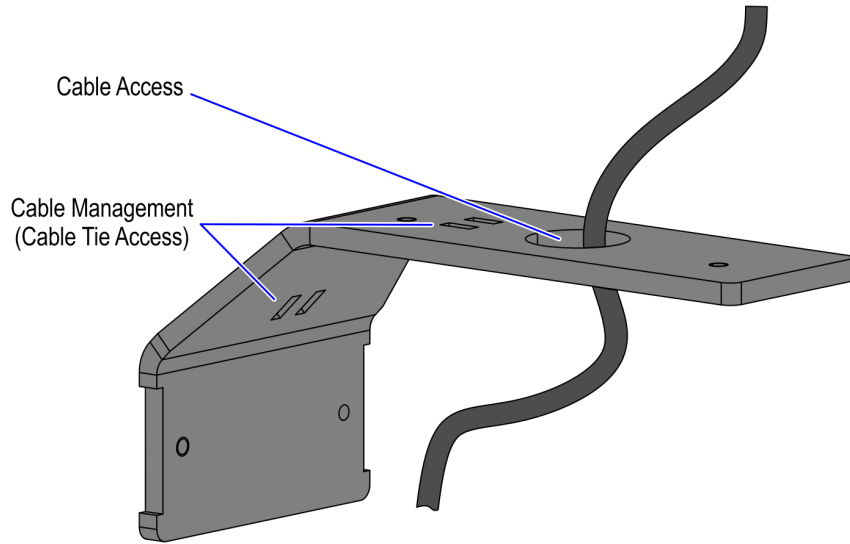
CCP-62073

4. Align the screw holes of the Remote Scale Display Mount with the Remote Scale Display Clamp just below the cable access hole of Tri-Light Pole and secure both parts using two (2) screws, as shown in the image below.



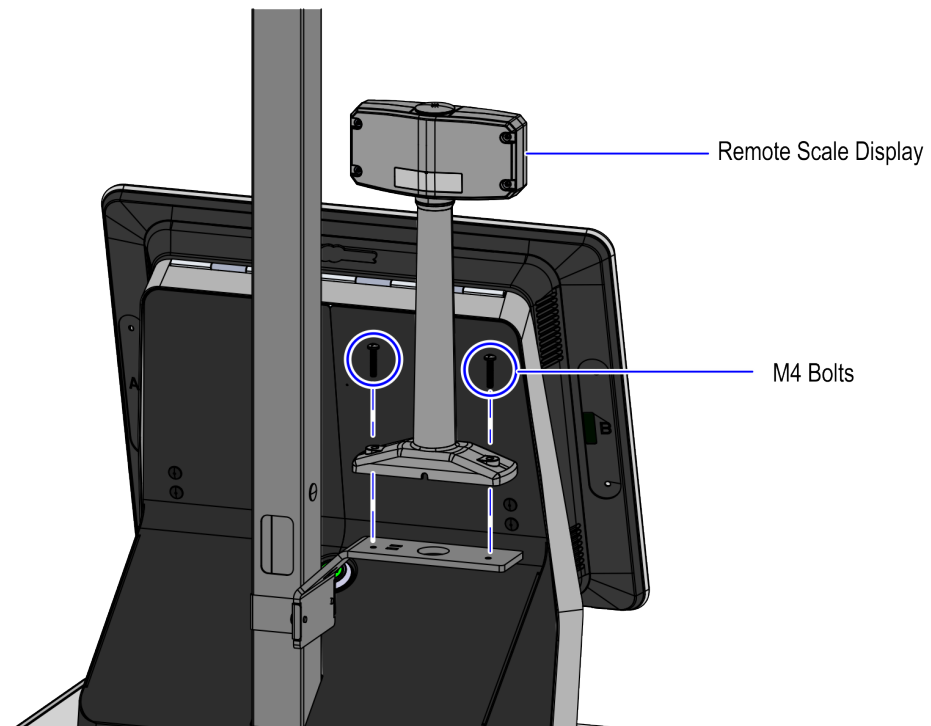
CCP-79760

5. Insert the Scanner Display Cable through the cable access hole of the Remote Scale Display Mount and secure it with two (2) cable ties.



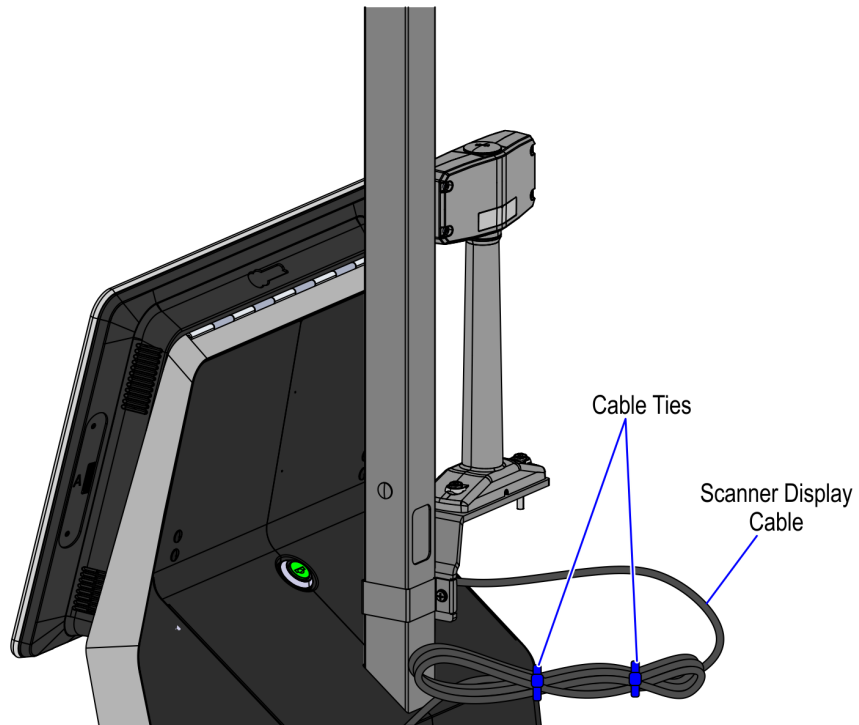
CCP-79761

6. Secure the Remote Scale Display using two (2) M4 bolts and two (2) nuts on the Remote Scale Display Bracket.



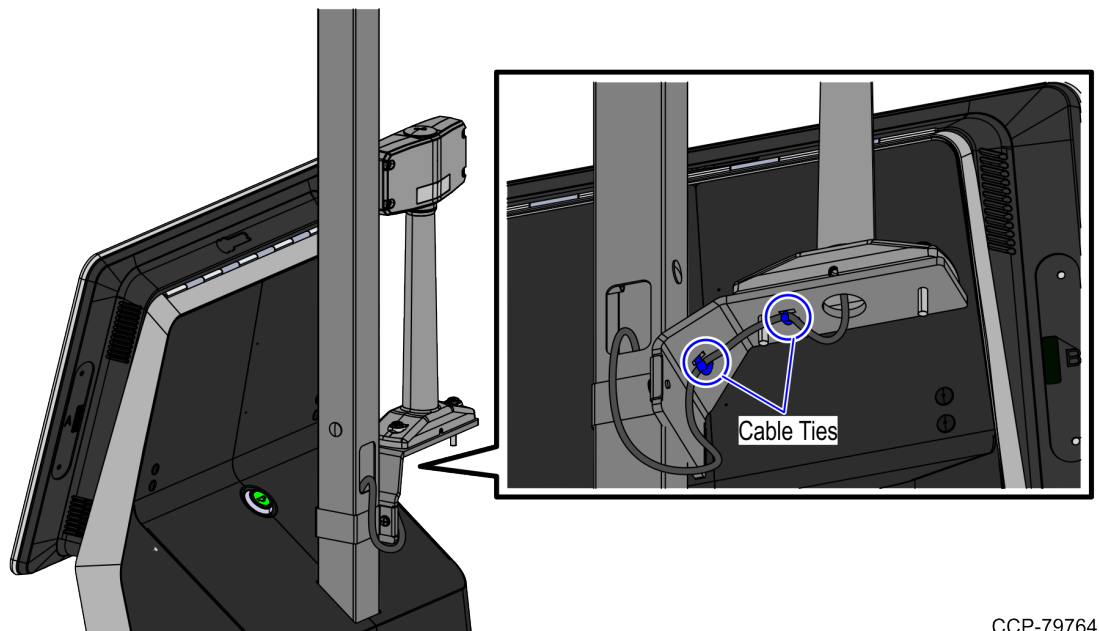
CCP-79762

7. Bundle the excess cable length of the Scanner Display Cable and secure it with two (2) cable ties.



CCP-79763

8. Insert the bundled excess cable into the Tri-Light Pole access hole and secure the extra length under the Remote Scale Display Bracket with two (2) cable ties, as shown in the image below.

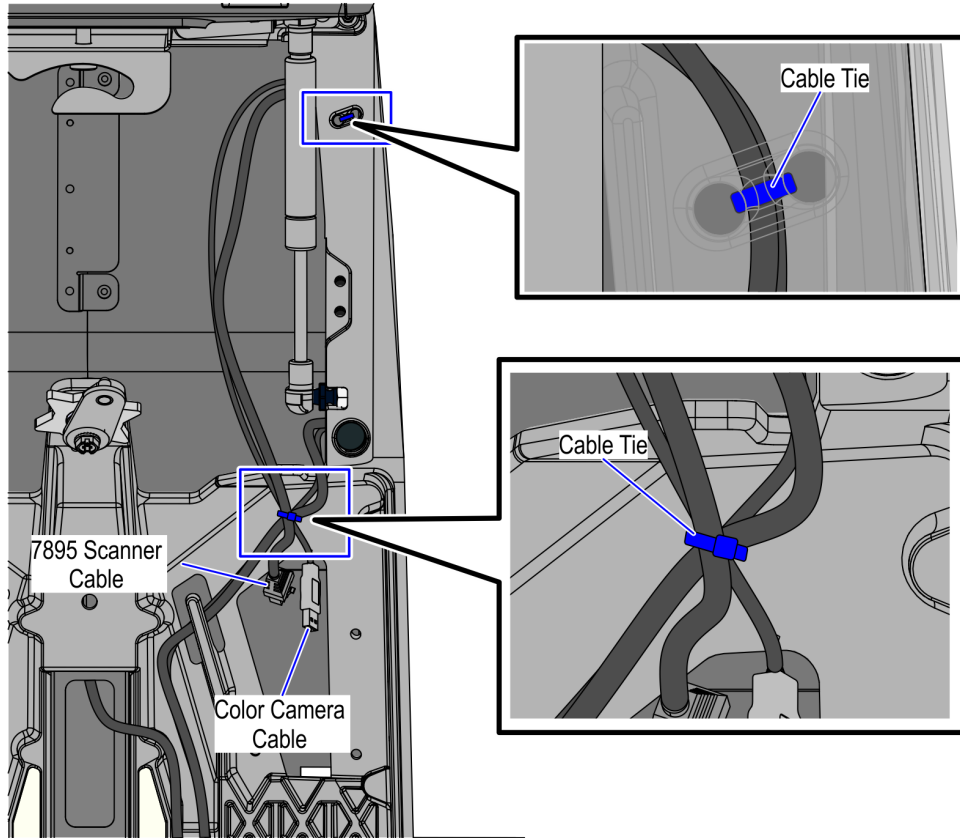


CCP-79764

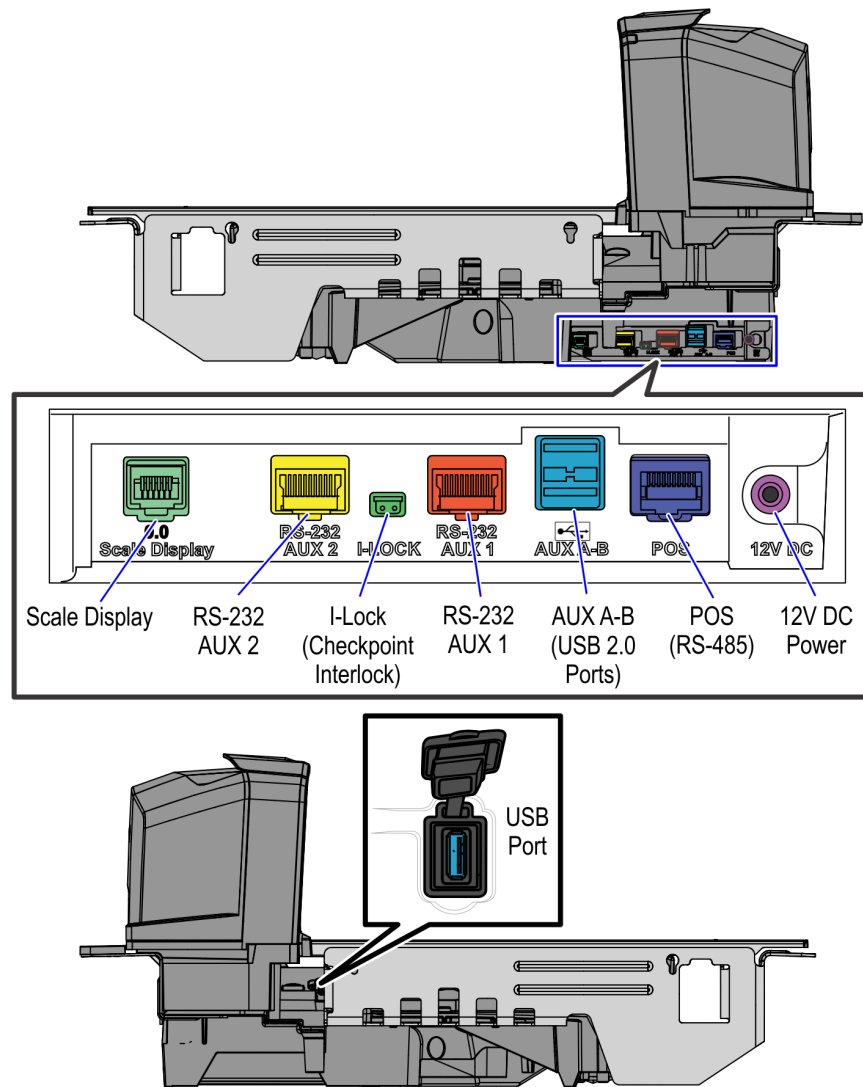
9. Route the 7895 Scanner Cable and the Color Camera Cable on the left side of the Tower Cabinet and secure it with a cable tie, as shown in the image below.



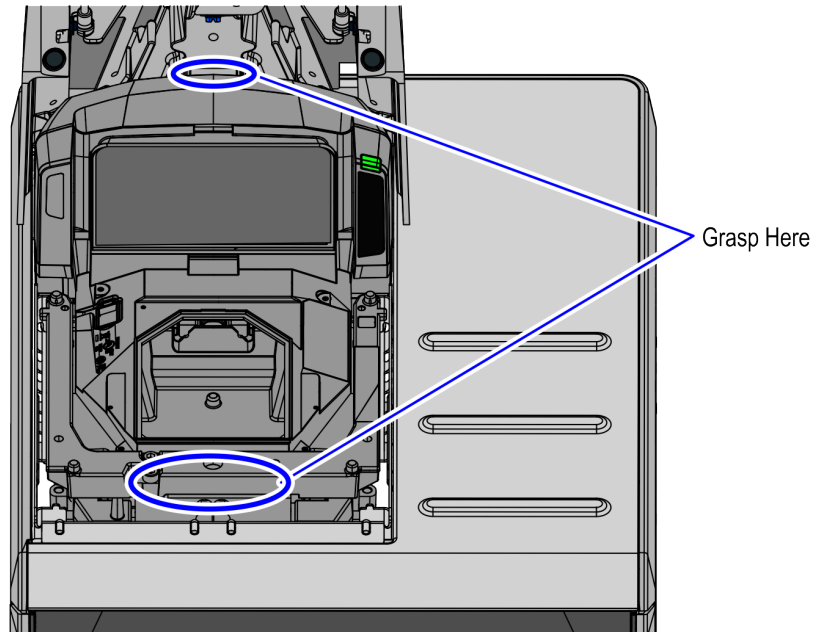
Note: Ensure that there is enough length on the cables to reach the POS panel.



10. Connect the scanner cable to the **USB Client** port on the NCR 7895 Scanner/Scale.

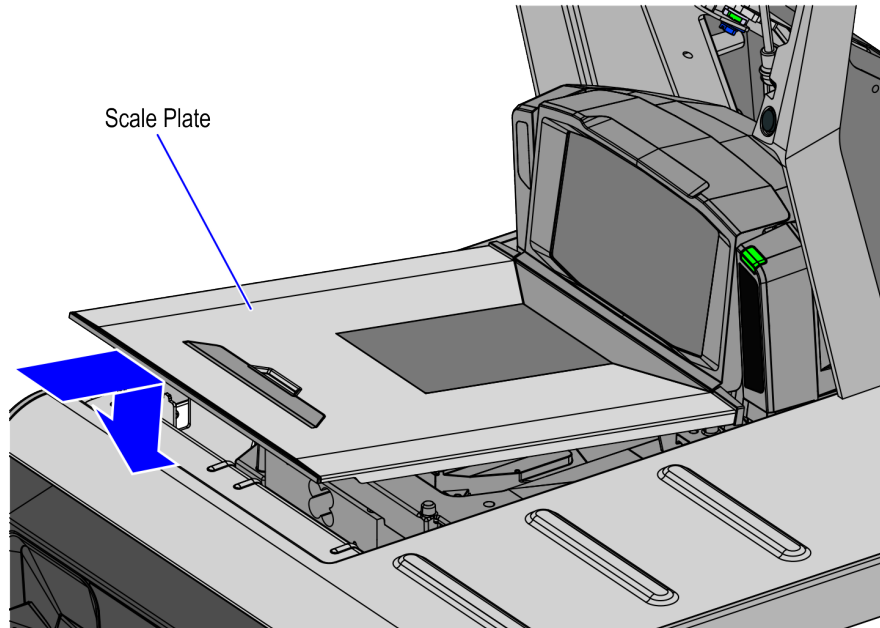


11. Place the Scanner/Scale in the scanner bucket.



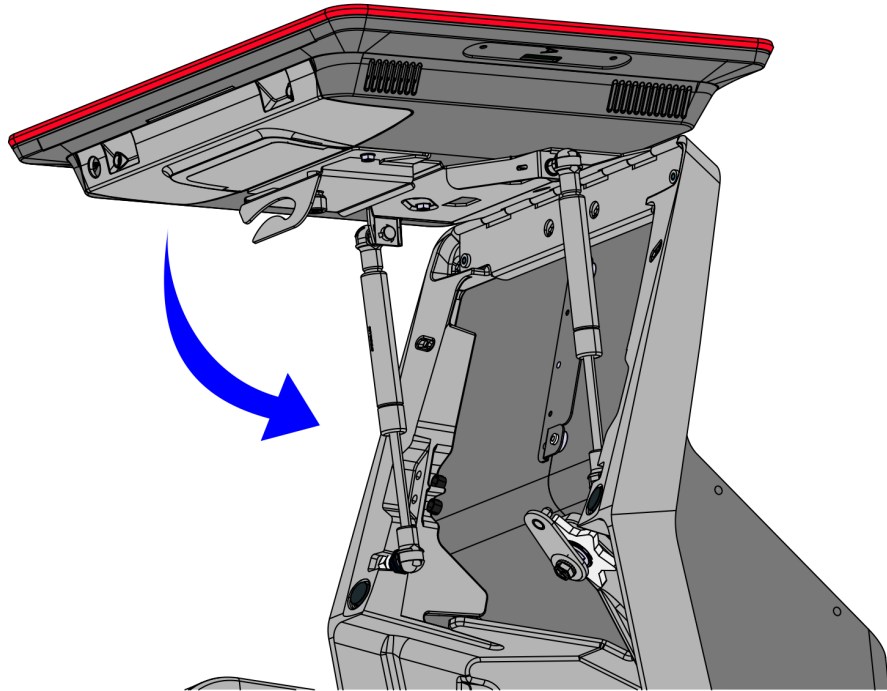
CCP-79769

12. Lower the Top Plate as shown below:



CCP-79771

13. Close the Terminal Display and lock the Tower Frame to the back panels.



CCP-78942

14. Ensure that the devices are working properly by powering up the NCR FastLane SelfServ™ Checkout software and hardware systems.