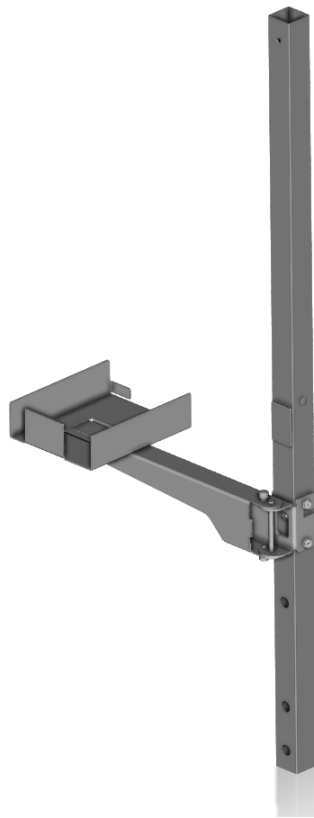


Kit Instructions

Coupon Printer Tray and Pole Mount



7360-K903/K906/K907/K908
Issue A



The product described in this document is a licensed product of NCR Corporation.

NCR is a registered trademark of NCR Corporation. NCR FastLane SelfServ™ Checkout is a trademark of NCR Corporation in the United States and/or other countries. Other product names mentioned in this publication may be trademarks or registered trademarks of their respective companies and are hereby acknowledged.

The terms HDMI and HDMI High-Definition Multimedia Interface, and the HDMI Logo are trademarks or registered trademarks of HDMI Licensing LLC in the United States and other countries.

Where creation of derivative works, modifications or copies of this NCR copyrighted documentation is permitted under the terms and conditions of an agreement you have with NCR, NCR's copyright notice must be included.

It is the policy of NCR Corporation (NCR) to improve products as new technology, components, software, and firmware become available. NCR, therefore, reserves the right to change specifications without prior notice.

All features, functions, and operations described herein may not be marketed by NCR in all parts of the world. In some instances, photographs are of equipment prototypes. Software screen images are representative, and in some cases, may not match a customer's installed software exactly. Therefore, before using this document, consult with your NCR representative or NCR office for information that is applicable and current.

To maintain the quality of our publications, we need your comments on the accuracy, clarity, organization, and value of this book. Please use the link below to send your comments.

Email: FD230036@ncr.com

Copyright © 2019
By NCR Corporation
864 Spring St. NW
Atlanta, GA 30308
United States
All Rights Reserved

Revision Record

Issue	Date	Remarks
A	Jul 2019	First Issue

7360-K903/K906/K907/K908 Coupon Printer Tray and Pole Mount

This publication provides instructions for installing the Pole Mount for the Coupon Printer and the corresponding Coupon Printer Tray on NCR FastLane SelfServ™ Checkout (7360) units.

Prerequisite

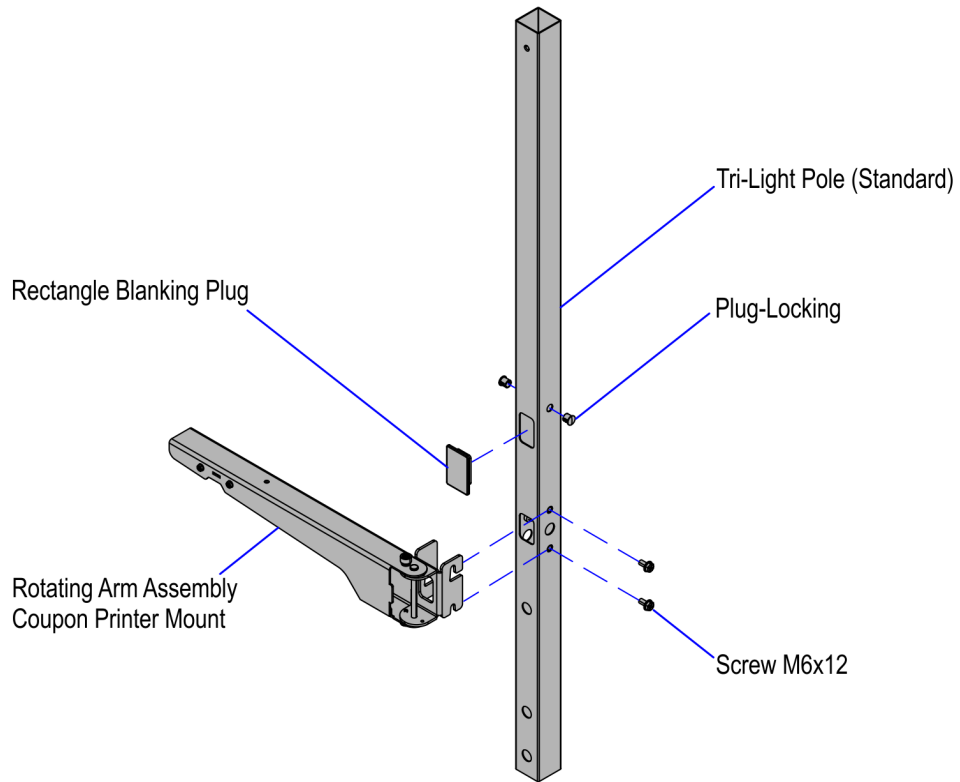
The 7360-K906/K907/K908 Coupon Printer Tray should be ordered together with the 7360-K903 Pole Mount for Coupon Printer Tray.

Kit Contents

Refer to the following sections for information about the contents of each kit:

- [*7360-K903 Pole Mount for Coupon Printer Tray*](#) on the next page.
- [*7360-K906 Coupon Printer Tray \(Epson TM-C700\)*](#) on page 3.
- [*7360-K907 Coupon Printer Tray \(Funai JC2007NU\)*](#) on page 4.
- [*7360-K908 Coupon Printer Tray \(Epson TM-C610\)*](#) on page 5.

7360-K903 Pole Mount for Coupon Printer Tray

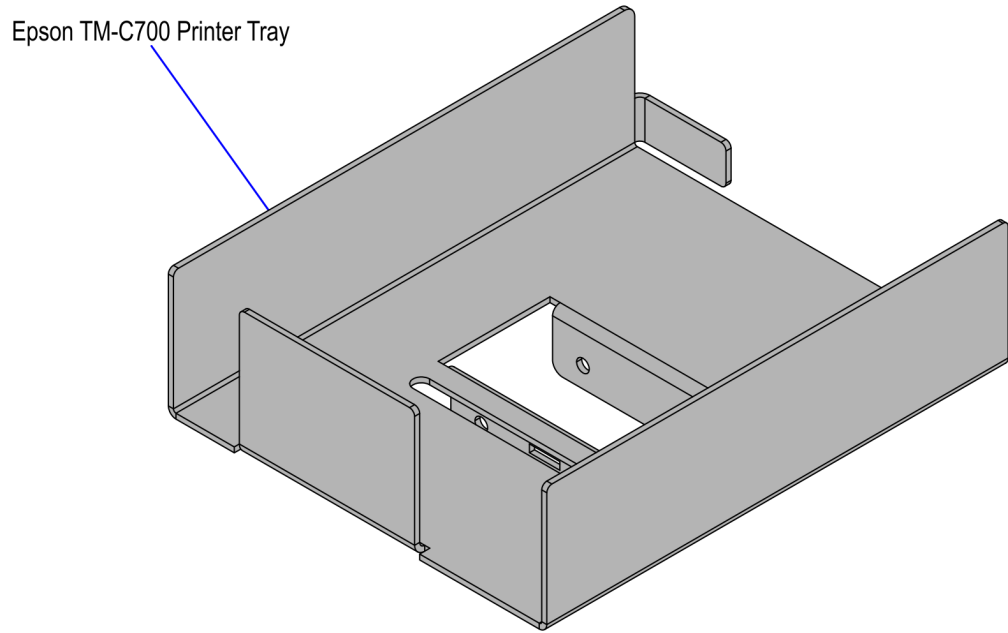


CCP-76852

Part Number	Description
497-0524336	7360-K903 Pole Mount for Coupon Printer Tray
006-8623599	Plug – Locking, Flush, 5.5mm Hole, Dark Grey (2 pcs)
006-8624305	Rectangle Blanking Plug (42 X 24 Mm)
009-0006599	Screw M6 X 12 M/C Combi Pozi (3 pcs)
497-0521118	Tri-Light Pole (Standard) (1 pc)
497-0524286	Rotating Arm Assembly - Coupon Printer Pole Mount (1 pc)
* 497-0423108	Instructions Kit (Reference Sheet)

* Items marked with an asterisk are not called out on the image.

7360-K906 Coupon Printer Tray (Epson TM-C700)

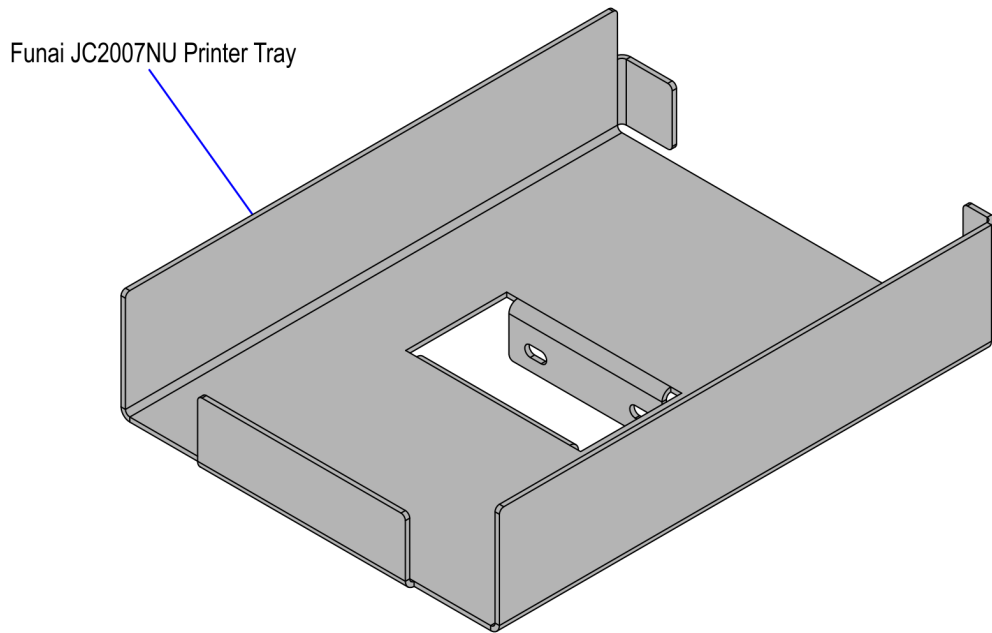


CCP-76849

Part Number	Description
497-0525310	7360-K906 Coupon Printer Tray (Epson TM-C700)
497-0524283	Epson TM-C700 Coupon Printer Tray (1 pc)
* 497-0423108	Instructions Kit (Reference Sheet)

* Items marked with an asterisk are not called out on the image.

7360-K907 Coupon Printer Tray (Funai JC2007NU)

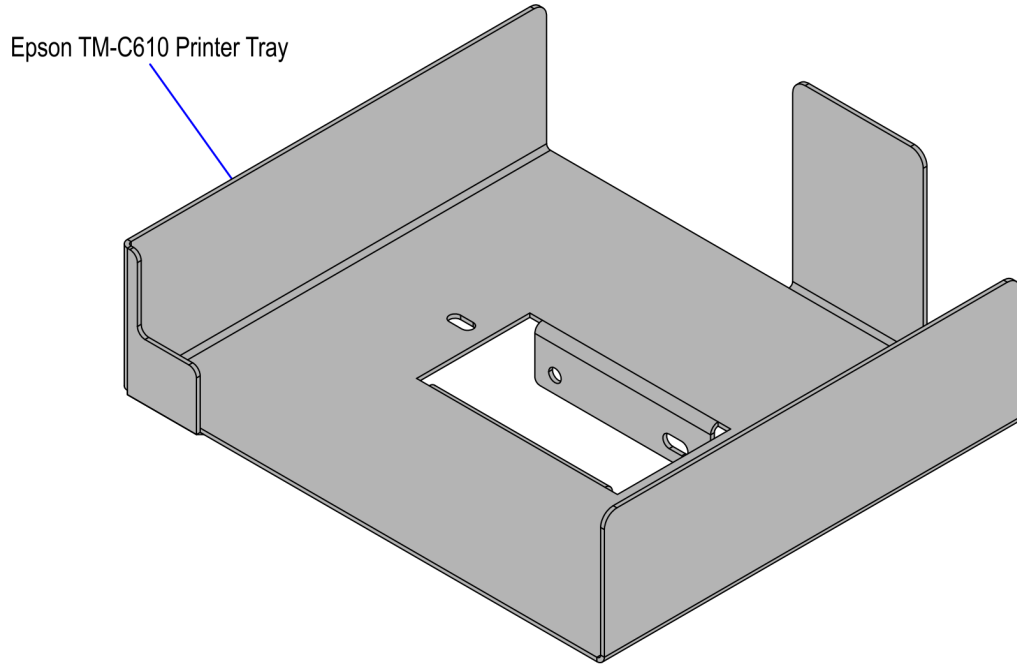


CCP-76850

Part Number	Description
497-0525298	7360-K907 Coupon Printer Tray (Funai JC2007NU)
497-0524284	Funai JC2007NU Coupon Printer Tray (1 pc)
* 497-0423108	Instructions Kit (Reference Sheet)

* Items marked with an asterisk are not called out on the image.

7360-K908 Coupon Printer Tray (Epson TM-C610)



Part Number	Description
497-0525299	7360-K908 Coupon Printer Tray (Epson TM-C610)
497-0525300	Epson TM-C610 Coupon Printer Tray (1 pc)
* 497-0423108	Instructions Kit (Reference Sheet)

* Items marked with an asterisk are not called out on the image.

Installation Procedures

Installing the Pole Mount for the Coupon Printer and its corresponding Coupon Printer Tray involves the following procedures:

1. [Removing Existing Tri-Light/Lane Light Pole](#) on the facing page.



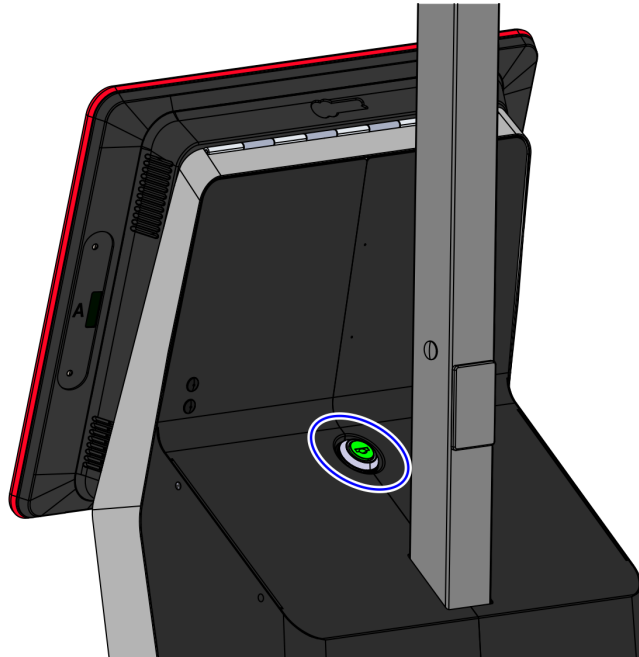
Note: To remove the Tri-Light/Lane Light assembly, refer to the *NCR FastLane SelfServ™ Checkout (7360) Hardware Service Guide (B005-0000-2378)*.

2. [Installing Coupon Printer Pole Mount Assembly](#) on page 11.
3. [Installing Coupon Printer Tray](#) on page 16.
4. [Routing Coupon Printer Cables](#) on page 17.

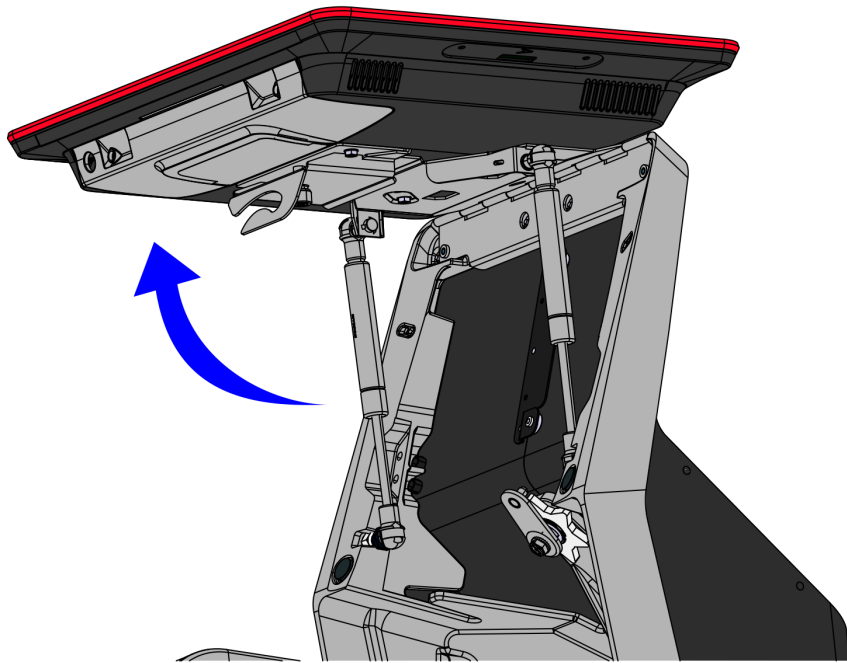
Removing Existing Tri-Light/Lane Light Pole

To remove the Tri-Light/Lane Light pole, follow these steps:

1. Do the following:
 - Remove the Tri-Light/Lane Light assembly from the Tri-Light/Lane Light pole. For more information, refer to the *NCR FastLane SelfServ™ Checkout (7360) Hardware Service Guide (B005-0000-2378)*.
 - If the unit is configured with a Secondary Display, remove the Display. For information about how to remove the Display, refer to the *NCR FastLane SelfServ™ Checkout (7360) Hardware Service Guide (B005-0000-2378)*.
2. Insert key in lock on the back of the Tower frame and then turn counter-clockwise to unlock the terminal.

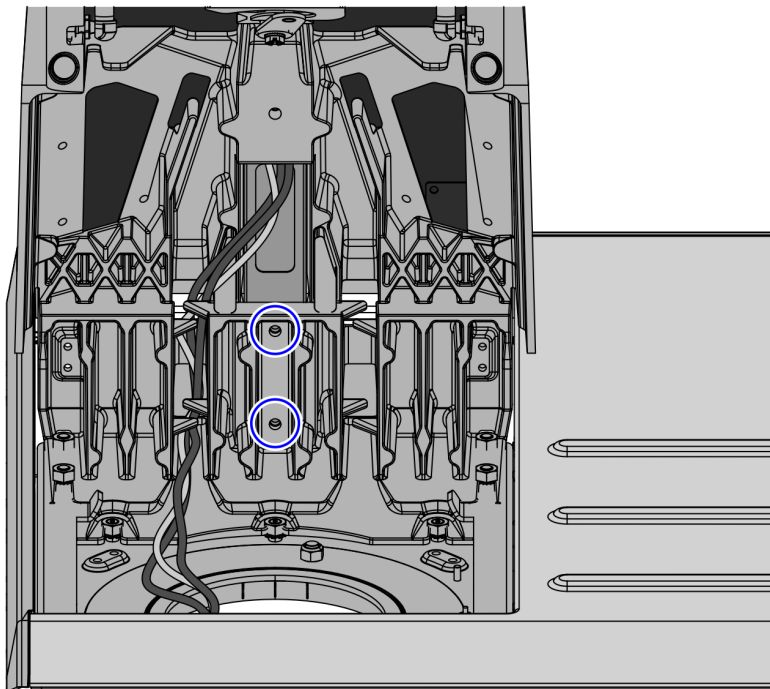


3. Lift up the Terminal Display.



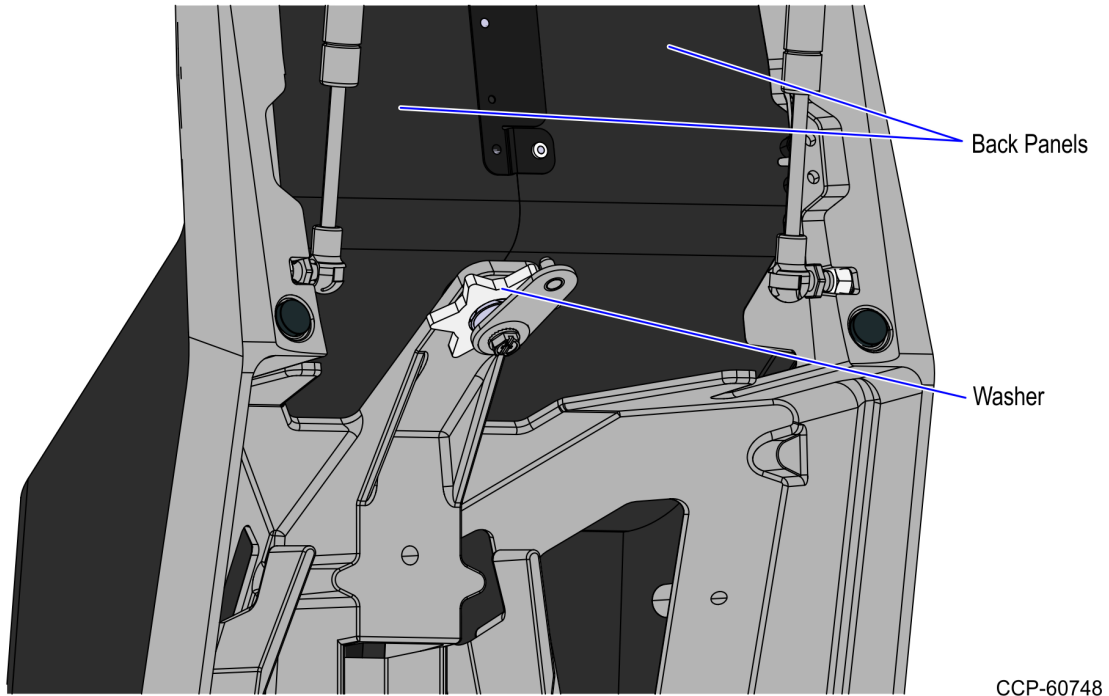
CCP-62073

4. Remove two (2) screws that are securing the pole to the Tower frame.

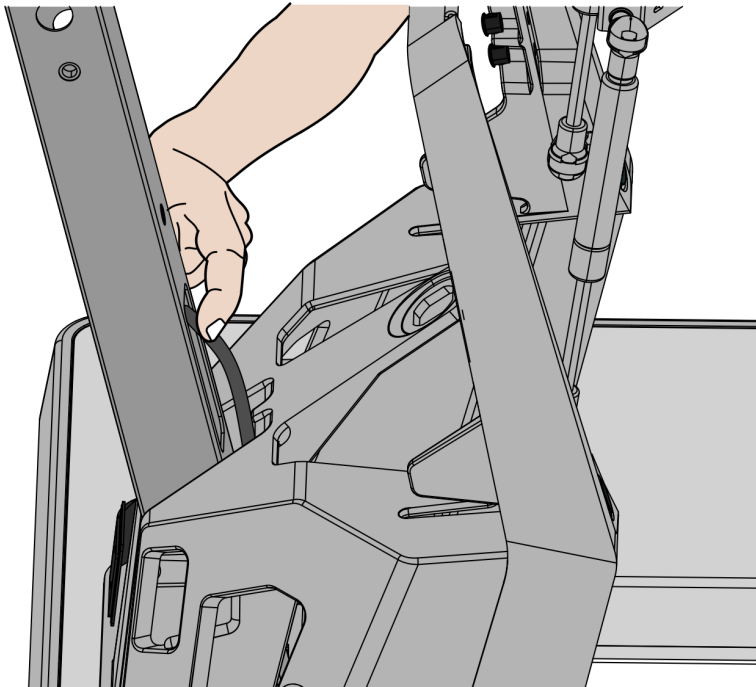


CCP-61150

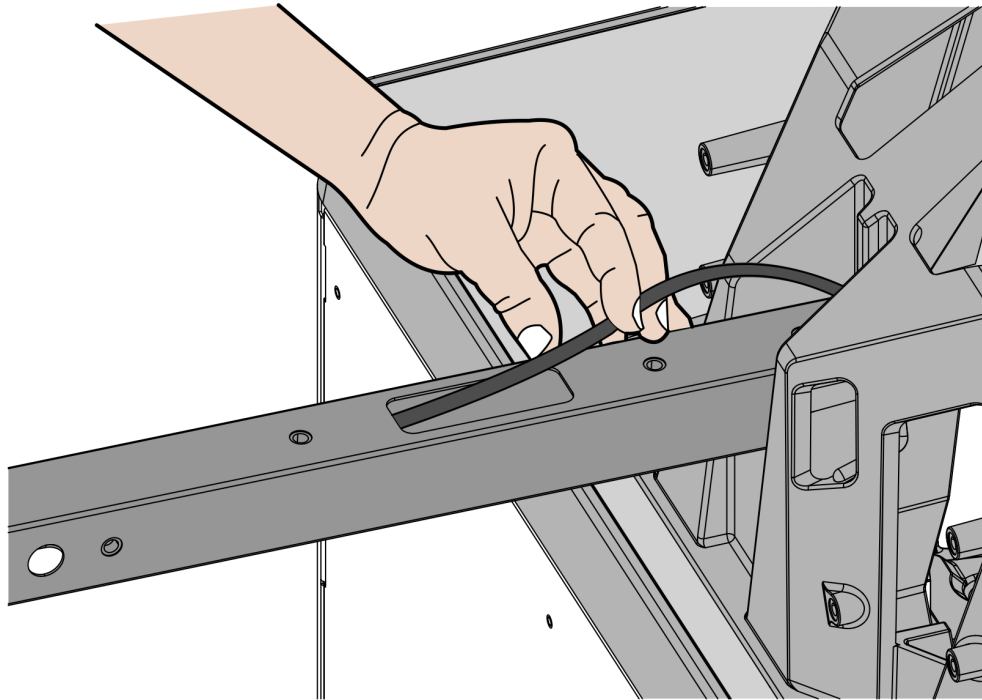
5. Loosen the star-shaped washer around the keylock assembly and then remove the two back panels from the Tower frame assembly.



6. Lift the Tri-Light/Lane Light pole out of the unit.



7. Pull out the Tri-Light/Lane Light cable through the opening on the side of Tri-Light/Lane Light pole, as shown in the image below.



CCP-60749

8. Install the Coupon Printer Pole Mount assembly. For more information, refer to [*Installing Coupon Printer Pole Mount Assembly*](#) on the facing page.

Installing Coupon Printer Pole Mount Assembly

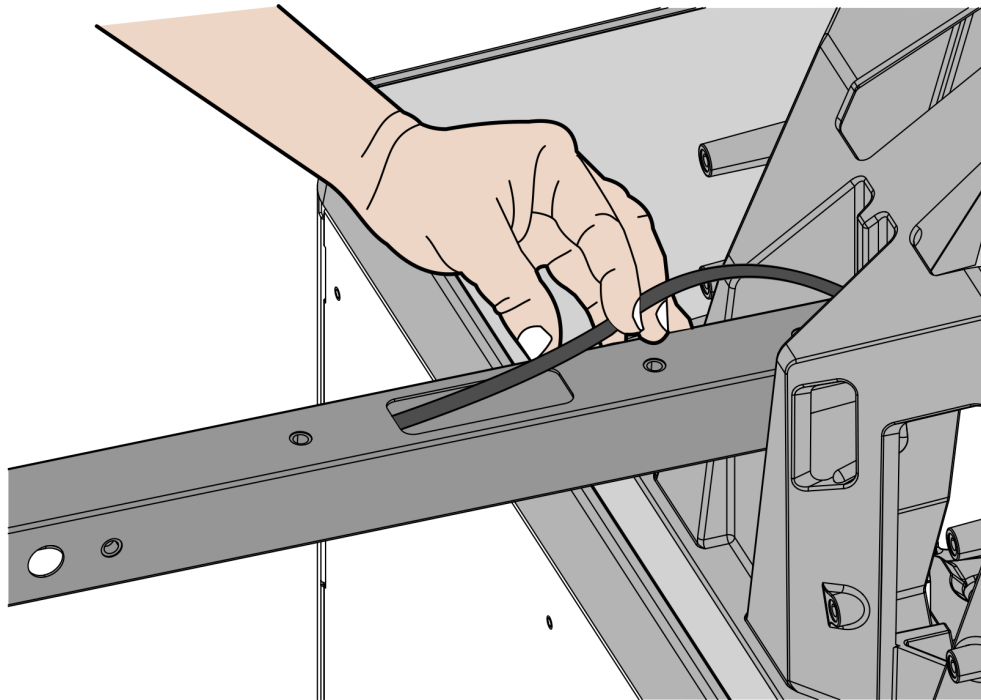
Installing the Pole Mount for the Coupon Printer and its corresponding Coupon Printer Tray involves the following procedures:

- A. [Installing Tri-Light/Lane Light Pole](#) below.
- B. [Installing Rotating Arm Assembly](#) on page 14.

Installing Tri-Light/Lane Light Pole

To install the Tri-Light/Lane Light Pole that is compatible with the Rotating Arm assembly for the Coupon Printer Tray, follow these steps:

1. Remove the existing Tri-Light/Lane Light pole, if necessary. For more information, refer to [Removing Existing Tri-Light/Lane Light Pole](#) on page 7.
2. Insert the Tri-Light/Lane Light cable through the opening on the side of Tri-Light/Lane Light pole and route it out the top of the pole.

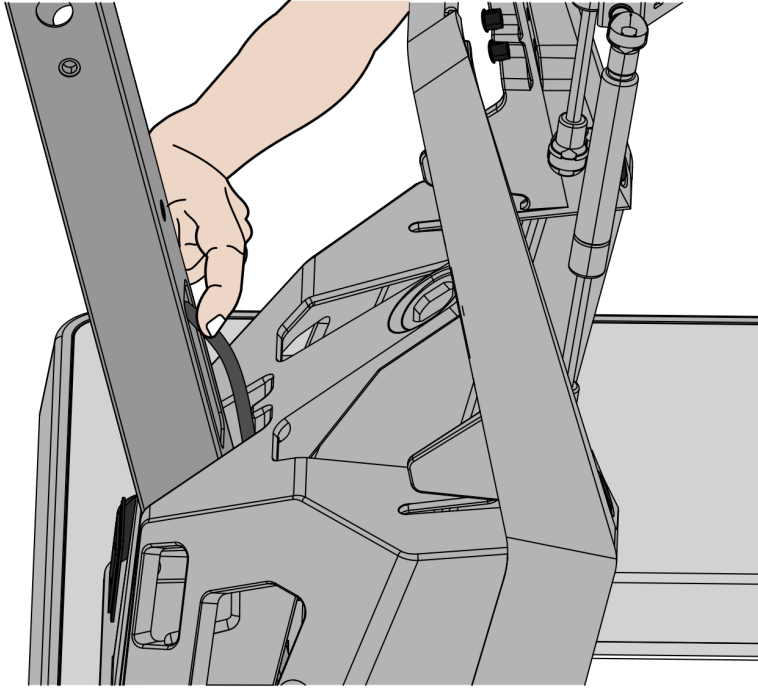


CCP-60749



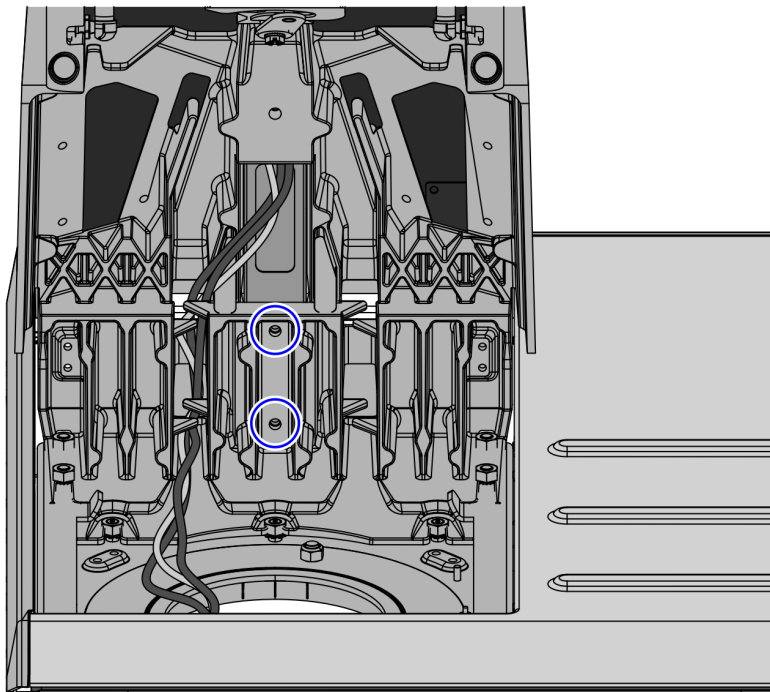
Note: If installing a Secondary Display, route the display cables out of the smaller hole on the back of the pole. For information about how to install the Display, refer to the NCR FastLane SelfServ™ Checkout (7360) Hardware Service Guide (B005-0000-2378).

3. Insert the Tri-Light/Lane Light pole into the Tower frame. Ensure that the cables are aligned with the grooves in the pole duct, as shown in the image below.



CCP-60750

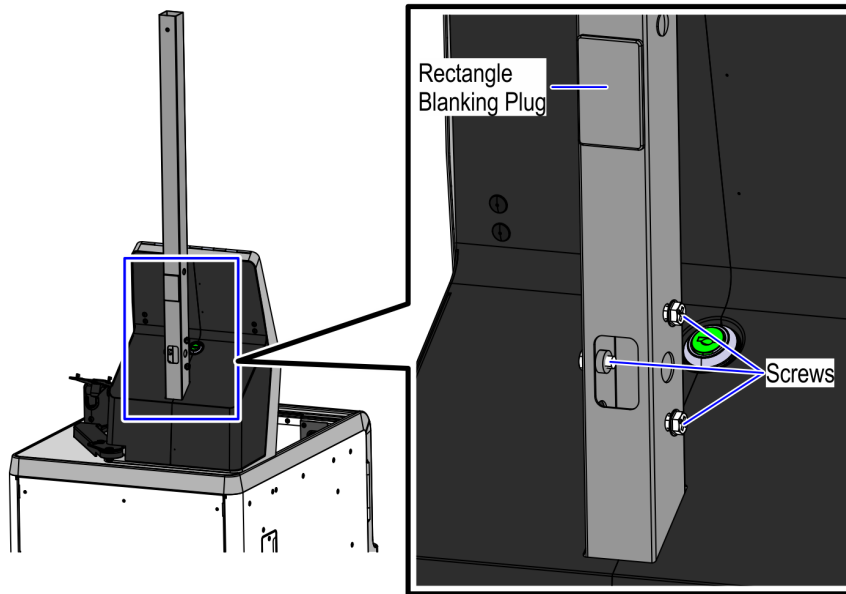
4. Secure the Tri-Light/Lane Light pole to the Tower frame using two (2) screws.



CCP-61150

5. Do the following:

- If a Secondary Display is not installed, attach the Rectangle Blanking Plug to the corresponding hole on the Tri-Light/Lane Light pole.
- Insert, but do not tighten, three (3) screws into the sides of the Tri-Light/Lane Light pole as alignment guides, as shown in the image below.



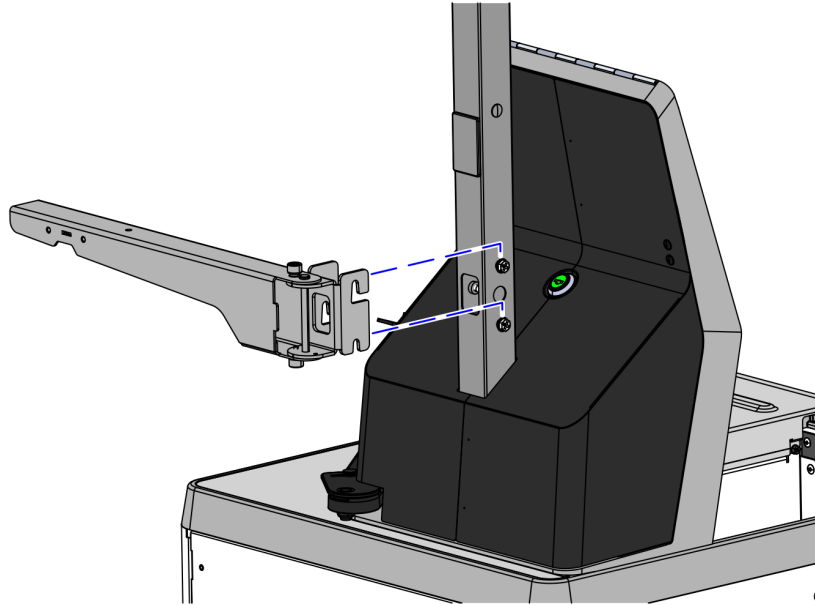
CCP-76853

6. Install the Rotating Arm assembly on the pole. For more information, refer to [Installing Rotating Arm Assembly](#) on the next page.

Installing Rotating Arm Assembly

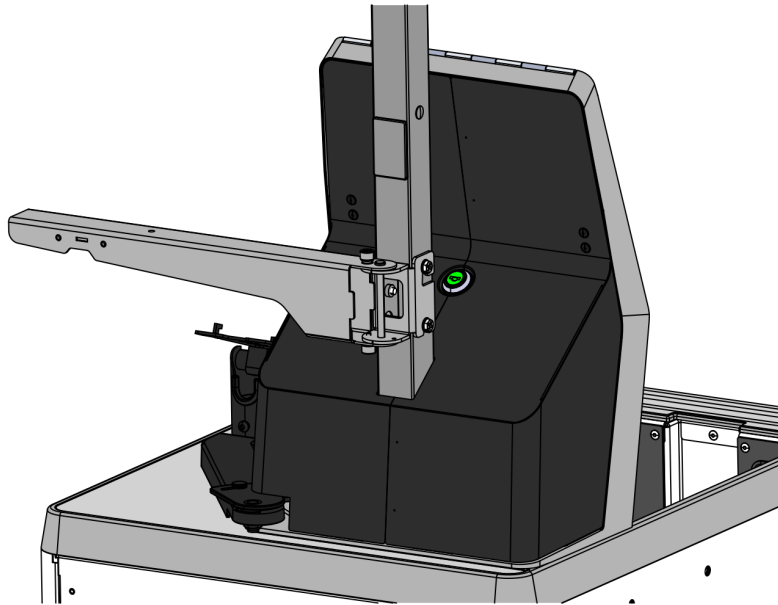
To install the Rotating Arm assembly to the Tri-Light/Lane Light pole, follow these steps:

1. Install the Tri-Light/Lane Light pole on the SelfServ Checkout unit. For more information, refer to [Installing Tri-Light/Lane Light Pole](#) on page 11.
2. Align the Rotating Arm assembly over the alignment guides and then slide the assembly down onto the screws.



CCP-76854

3. Tighten all screws to secure the Arm to the Tri-Light/Lane Light pole.



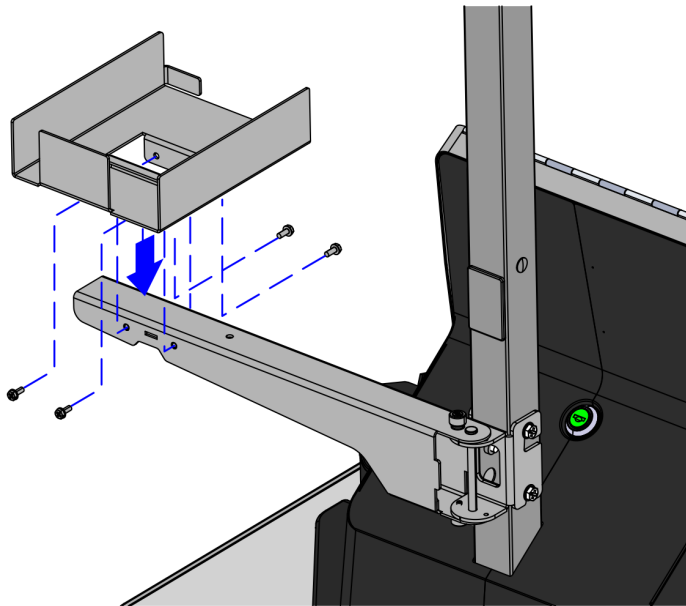
CCP-76855

4. Install the Coupon Printer Tray on the Rotating Arm assembly. For more information, refer to [Installing Coupon Printer Tray](#) on the next page.

Installing Coupon Printer Tray

To install the Coupon Printer Tray, follow these steps:

1. Install Coupon Printer Pole Mount Assembly on the SelfServ Checkout unit. For more information, refer to [Installing Coupon Printer Pole Mount Assembly](#) on page 11.
2. Align the Coupon Printer Tray over the corresponding screw holes on the Rotating Arm assembly and then secure using two (2) screws on each side.



Routing Coupon Printer Cables

The Coupon Printer Cables are routed from bottom to top. To route the cables, follow these steps:

1. Install the Coupon Printer on the Coupon Printer Pole Mount assembly. For more information, refer to [Installing Coupon Printer Pole Mount Assembly](#) on page 11.
2. Remove the Scanner/Scale. For more information, refer to the *NCR FastLane SelfServ™ Checkout (7360) Hardware Service Guide (B005-0000-2378)*.
3. Depending on the unit configuration, refer to the following:

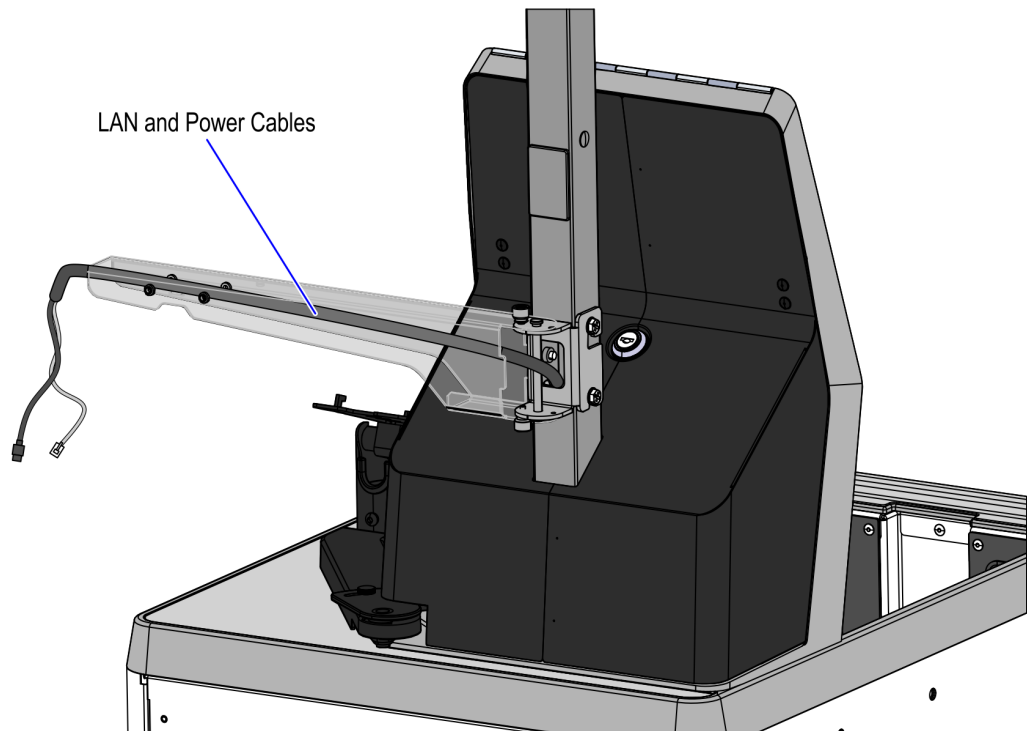


Note: The Coupon Printer power supply is placed inside the Bagwell for units with Bagwells. For No-Bag units, the Coupon Printer power supply is placed outside the Core Cabinet.

- [No-Bag Unit](#) on the next page.
 - [Standard Unit](#) on page 20.
 - [Convertible Unit](#) on page 22.
4. From the pole duct, route the cables through the Rotating Arm assembly, as shown in the image below.



Note: Secure the cables to a rectangular slot on the arm using a cable tie.



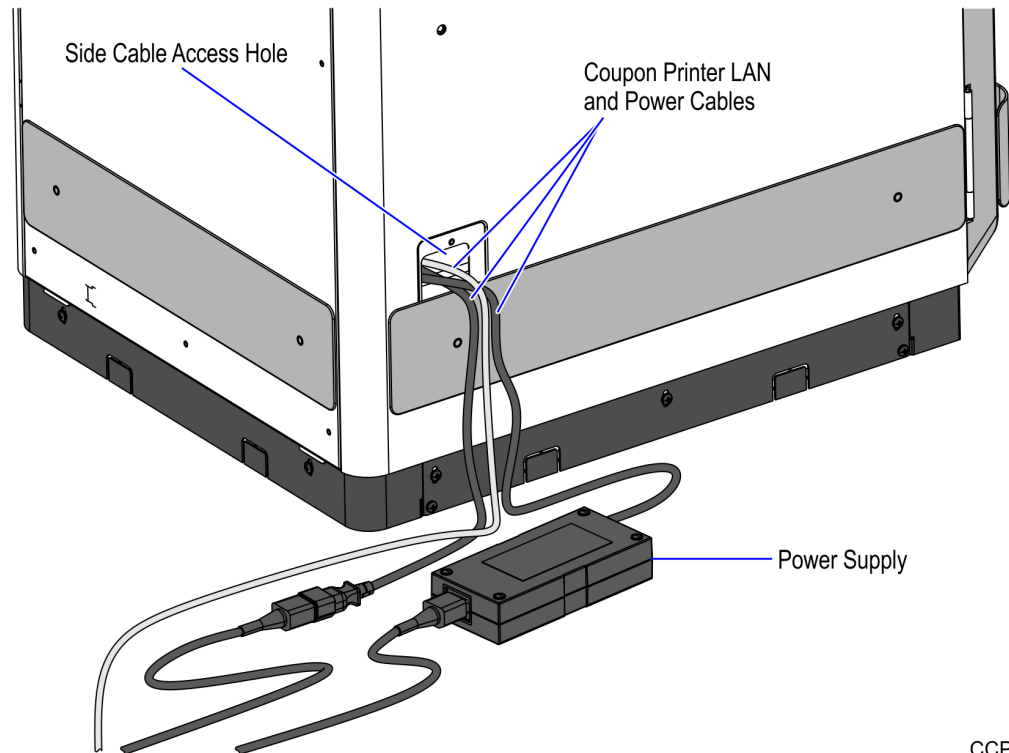
No-Bag Unit

To route the Coupon Printer LAN and Power cables in a No-Bag unit, follow these steps:



Note: For No-Bag units, the Coupon Printer Power Supply is left outside the unit.

1. From the side cable access hole, route the Coupon Printer LAN and Power cables into the Core Cabinet.

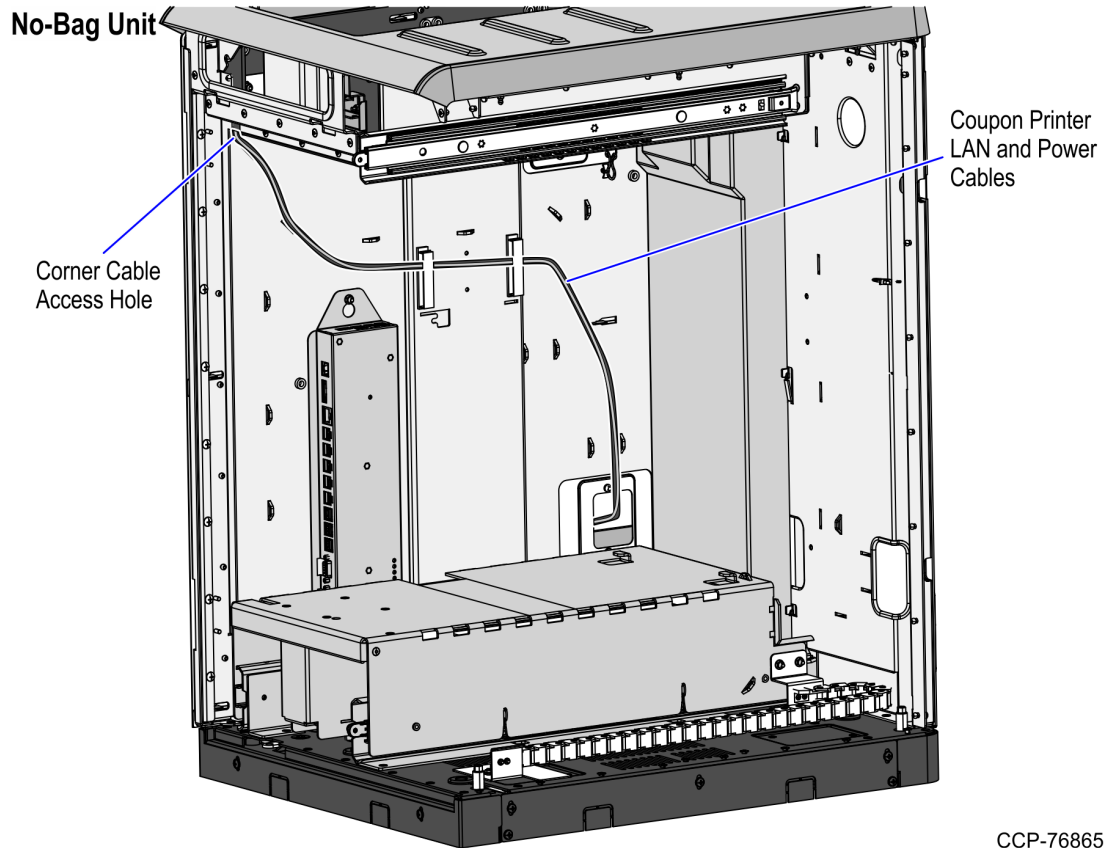


CCP-76860

2. Route the cables along the side wall up through the corner cable access hole along the floor of the Scanner/Scale bucket and into the pole duct.



Note: Use cable ties to secure the cables on corresponding lance bridges.



Standard Unit

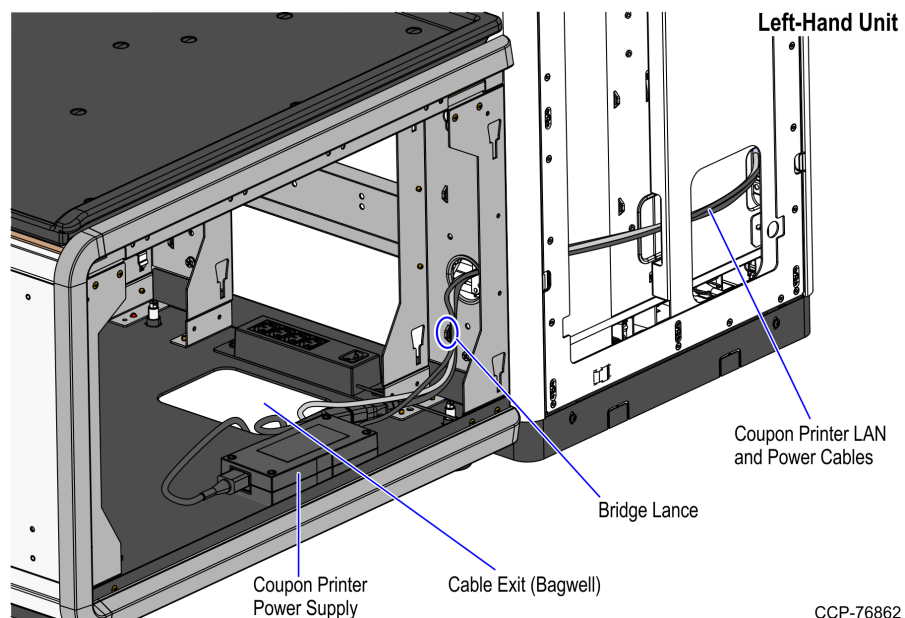
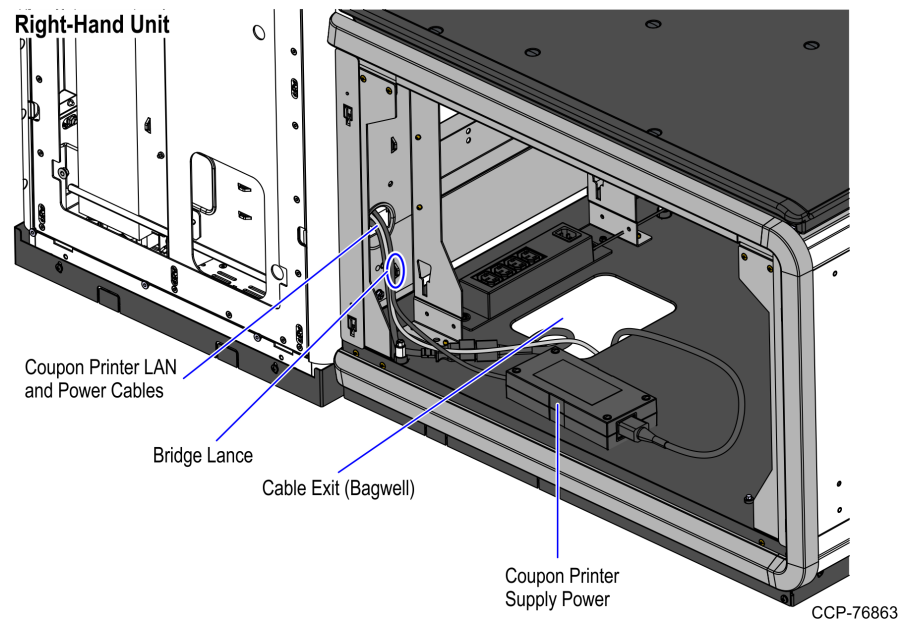
To route the Coupon Printer LAN and Power cables in a Standard unit, follow these steps:



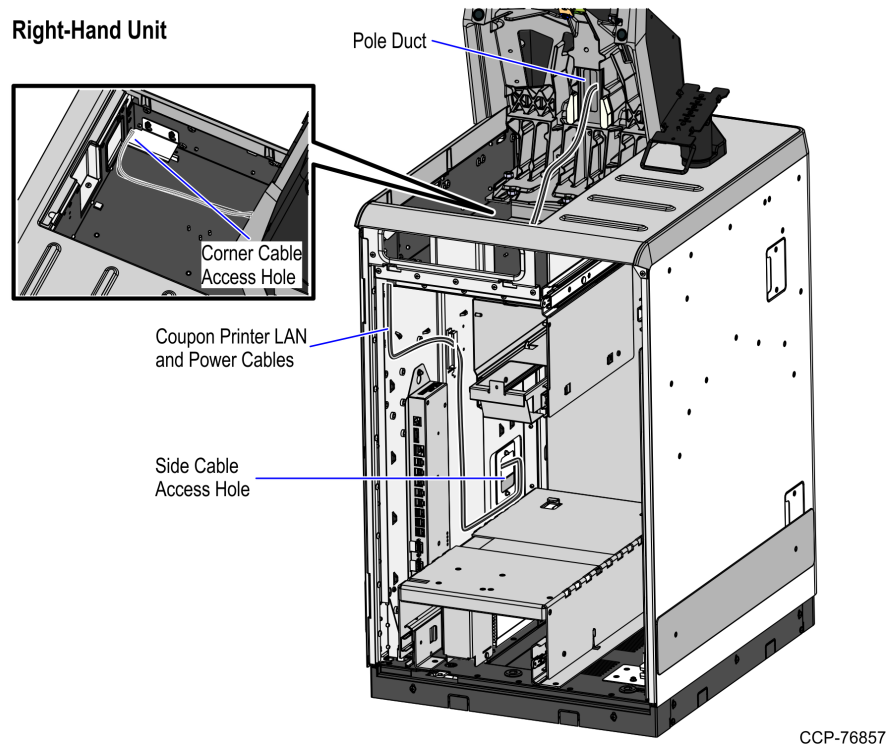
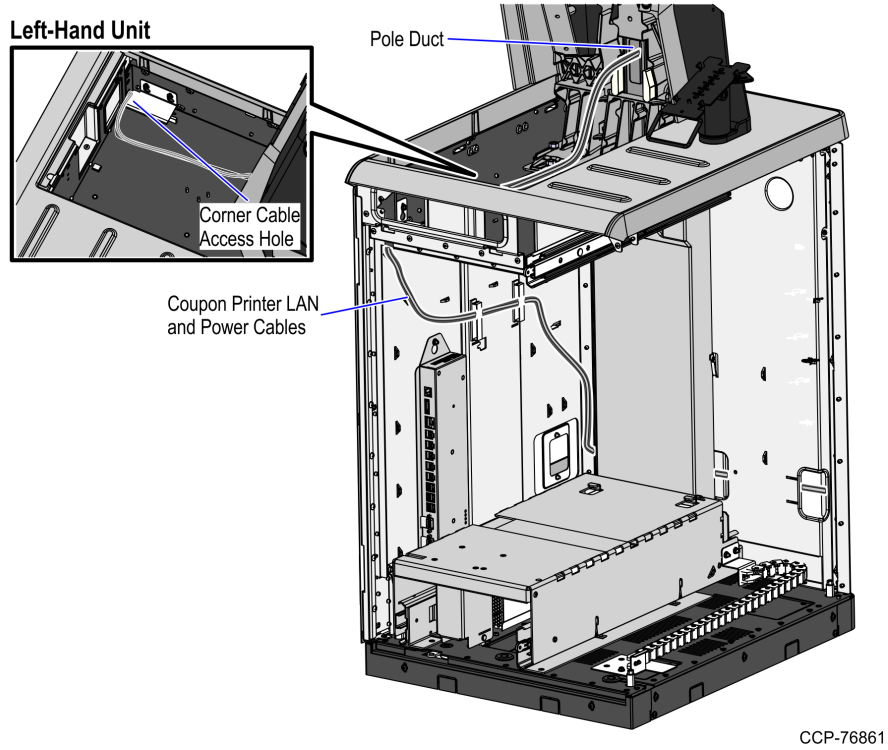
Note: Use cable ties to secure the cables on corresponding lance bridges.

1. From the Bagwell, do the following:

- Route the Coupon Printer Power Supply cable out of the unit through the cable exit at the base of the Bagwell.
- Route the Coupon Printer LAN and Power cables through the side cable access hole. Depending on the orientation of the unit, refer to the images below.



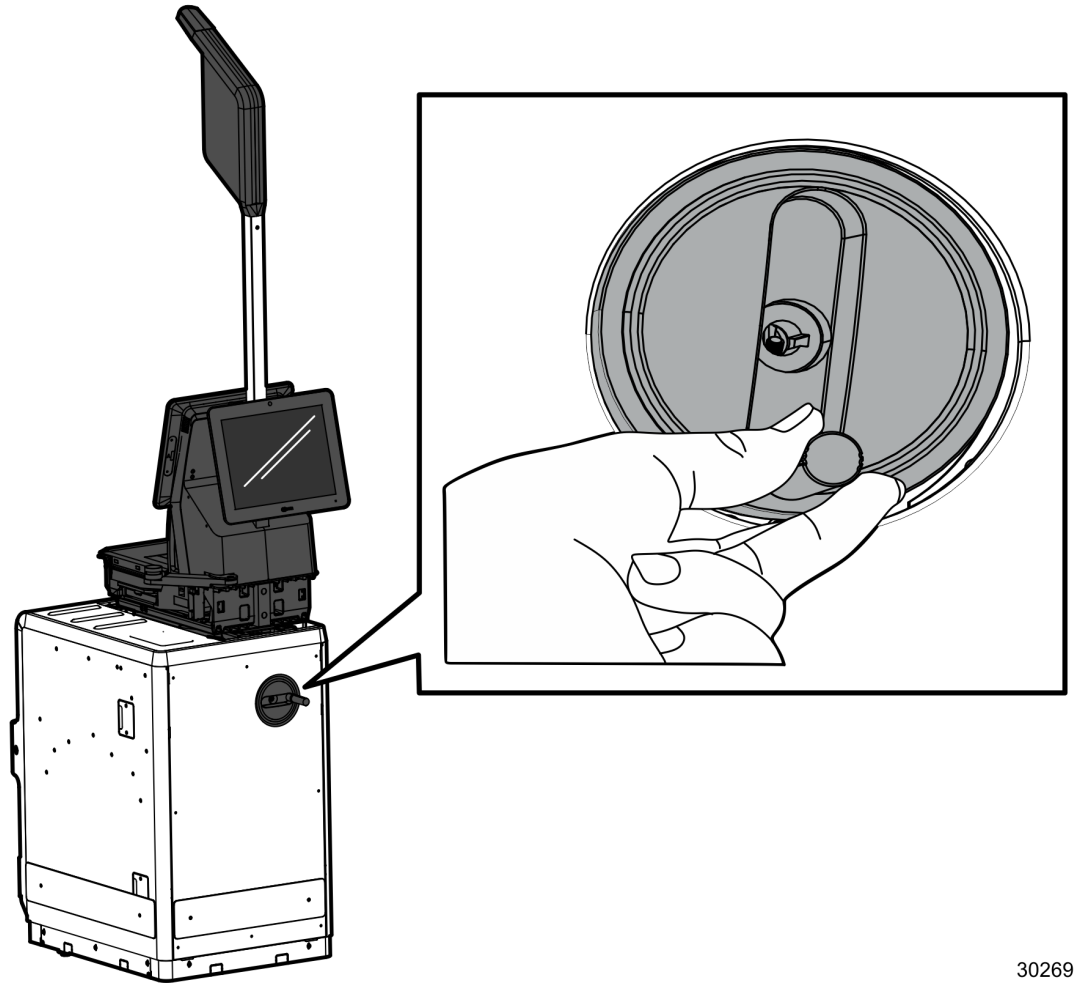
- From the side cable access hole, route the cables along the side wall up through corner cable access hole along the floor of the Scanner/Scale bucket and into the pole duct. Depending on the orientation of the unit, refer to the images below.



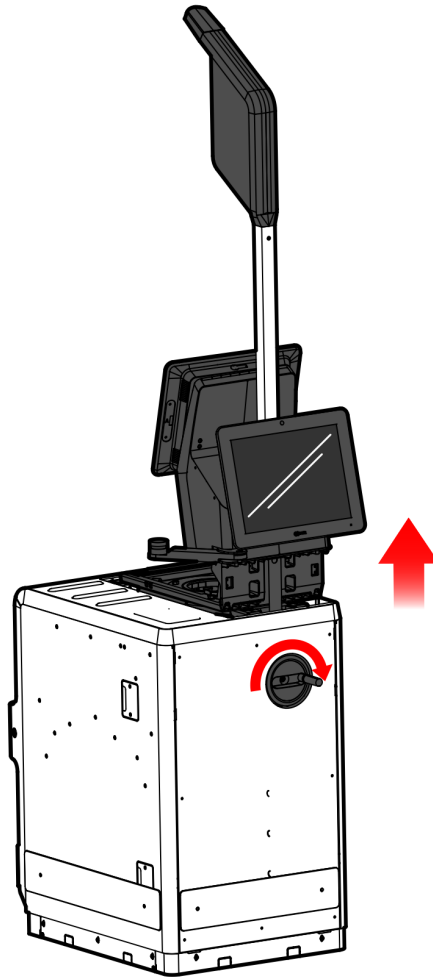
Convertible Unit

To route the Coupon Printer LAN and Power cables in a Convertible unit, follow these steps:

1. From the back panel of the NCR FastLane SelfServ™ Checkout (7360) unit, lift and then pull the Conversion Handle.



2. Rotate the Conversion Handle clockwise to raise the Tower assembly. Ensure that the Tower assembly is completely raised.

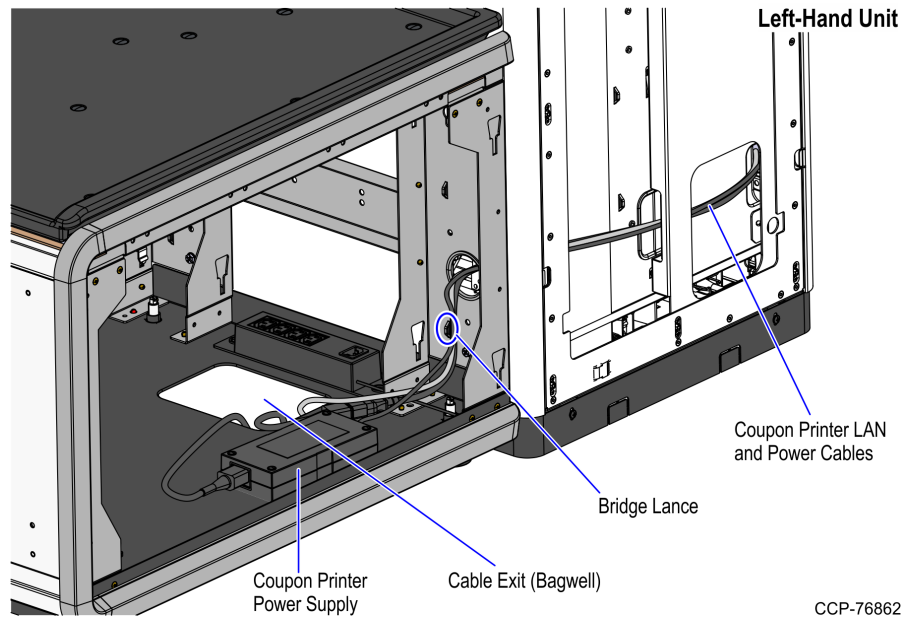
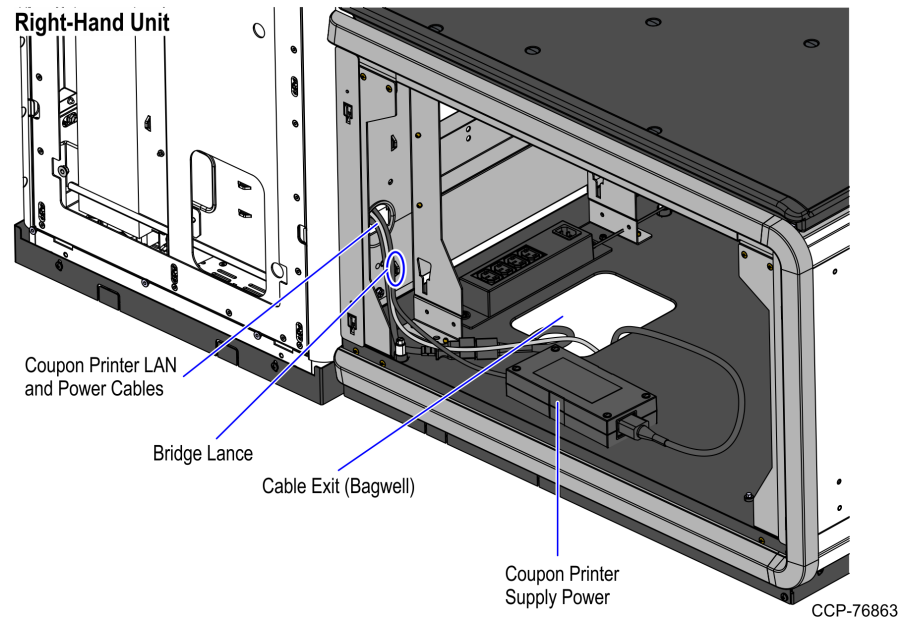


3. From the Bagwell, do the following:



Note: Use cable ties to secure the cables on corresponding lance bridges.

- Route the Coupon Printer Power Supply cable out of the unit through the cable exit at the base of the Bagwell.
- Route the Coupon Printer LAN and Power cables through the side cable access hole. Depending on the orientation of the unit, refer to the images below.



4. From the side cable access hole, route the cables along the side wall up through corner cable access hole along the spiral cable manager and into the pole duct. Depending on the orientation of the unit, refer to the images below:



Note: Use cable ties to secure the cables on corresponding lance bridges.

