

# Kit Instructions

Remote Scale Display Mount

7360-K902  
Issue B



---

The product described in this document is a licensed product of NCR Corporation.

NCR is a registered trademark of NCR Corporation. NCR FastLane SelfServ™ Checkout is a trademark of NCR Corporation in the United States and/or other countries. Other product names mentioned in this publication may be trademarks or registered trademarks of their respective companies and are hereby acknowledged.

The terms HDMI and HDMI High-Definition Multimedia Interface, and the HDMI Logo are trademarks or registered trademarks of HDMI Licensing LLC in the United States and other countries.

Where creation of derivative works, modifications or copies of this NCR copyrighted documentation is permitted under the terms and conditions of an agreement you have with NCR, NCR's copyright notice must be included.

It is the policy of NCR Corporation (NCR) to improve products as new technology, components, software, and firmware become available. NCR, therefore, reserves the right to change specifications without prior notice.

All features, functions, and operations described herein may not be marketed by NCR in all parts of the world. In some instances, photographs are of equipment prototypes. Therefore, before using this document, consult with your NCR representative or NCR office for information that is applicable and current.

To maintain the quality of our publications, we need your comments on the accuracy, clarity, organization, and value of this book. Please use the link below to send your comments.

*EMail:* [FD230036@ncr.com](mailto:FD230036@ncr.com)

Copyright © 2016-2017

By NCR Corporation

Duluth, GA U.S.A.

All Rights Reserved

## Revision Record

Issue	Date	Remarks
A	Sep 2016	First issue.
B	Jun 2017	Updated IP PDF template.

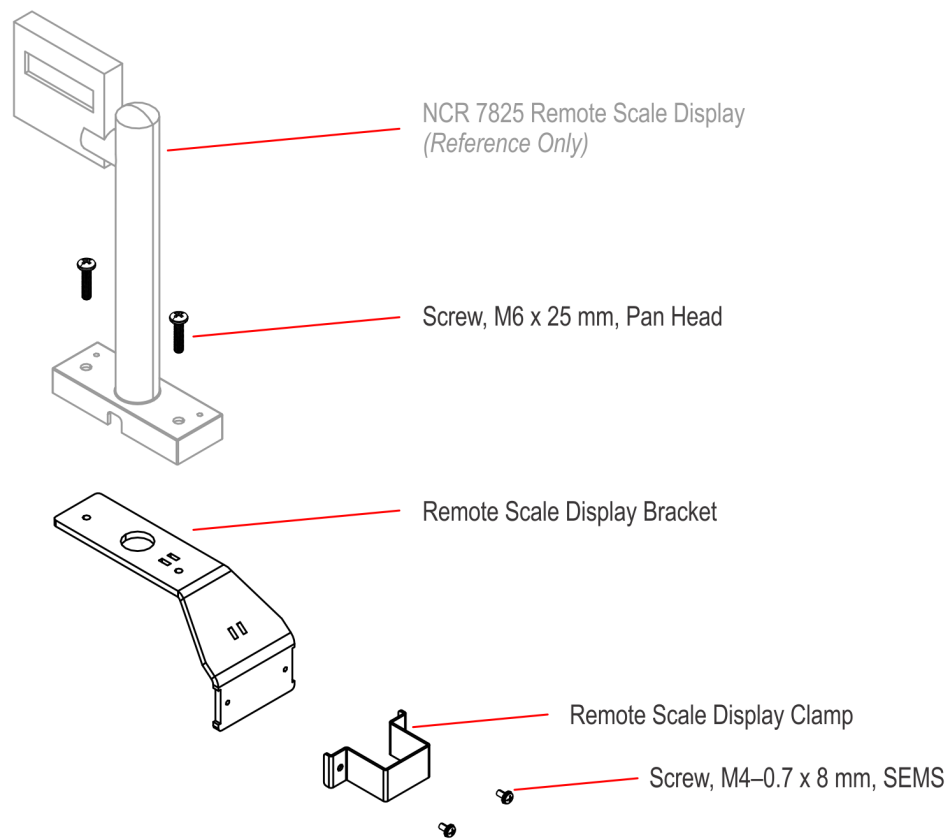
---

# Remote Scale Display Mount

---

This kit contains the components to add a Remote Scale Display Mount to the NCR FastLane SelfServ™ Checkout 7360.

## Kit Contents



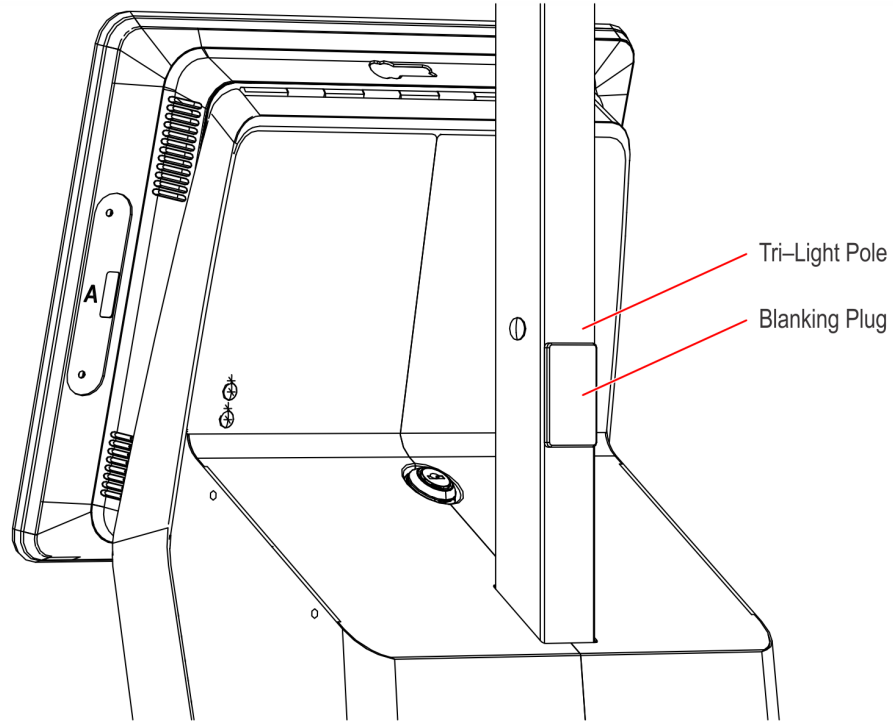
CCP-61641



**Note:** The NCR 7825 Remote Scale Display is not included in the kit.

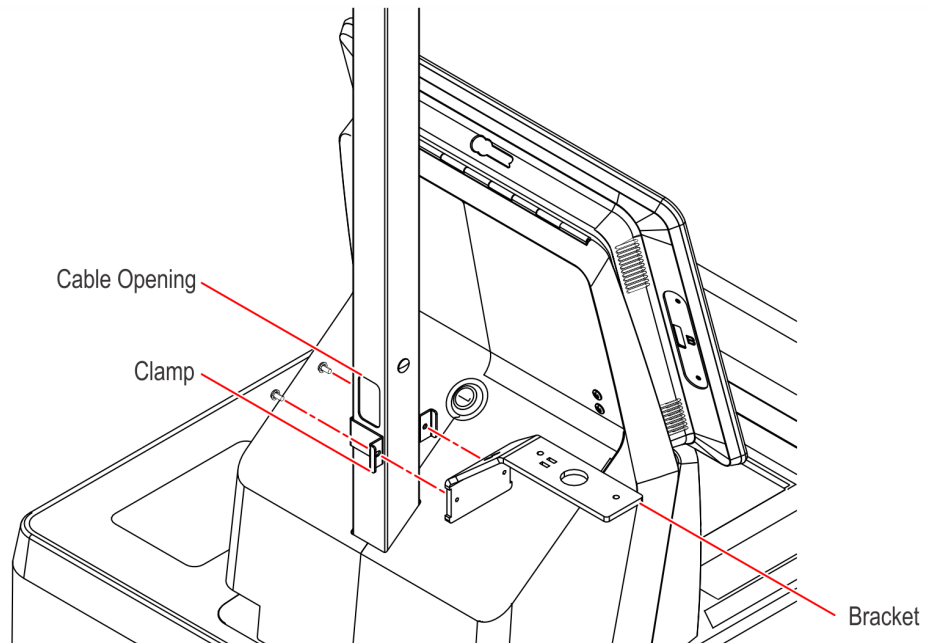
# Installation Procedure

1. If present, remove the Blanking Plug that covers the cable opening on the back of the Tri-Light Pole.



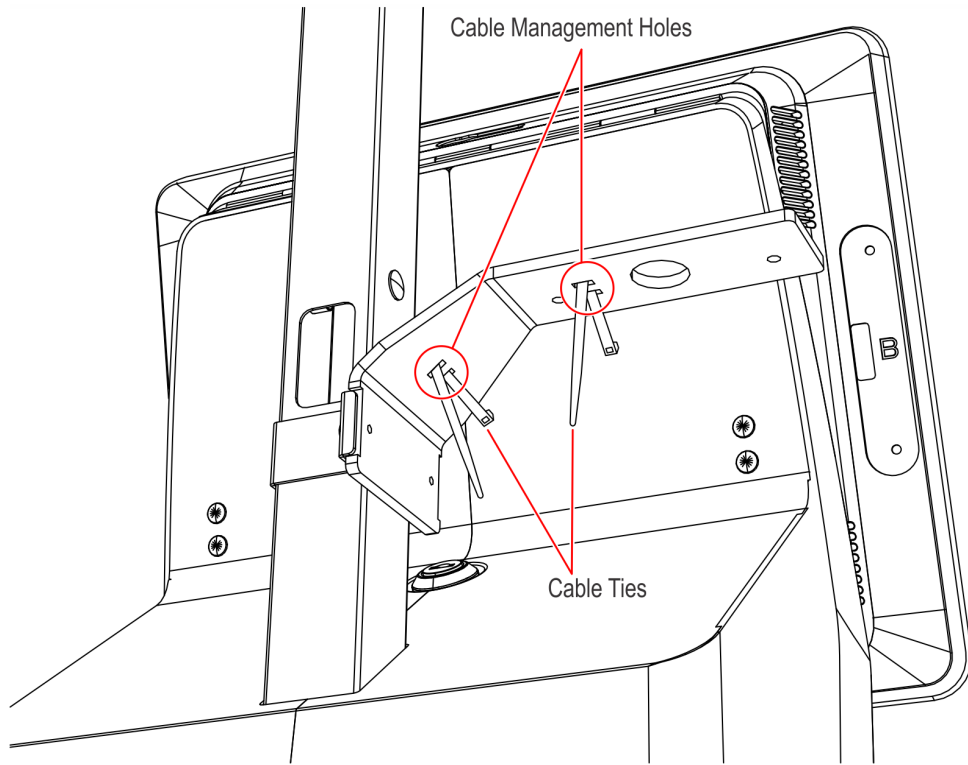
CCP-61634

2. Using two screws, install the Clamp and Bracket below the cable opening on the Tri-Light Pole.



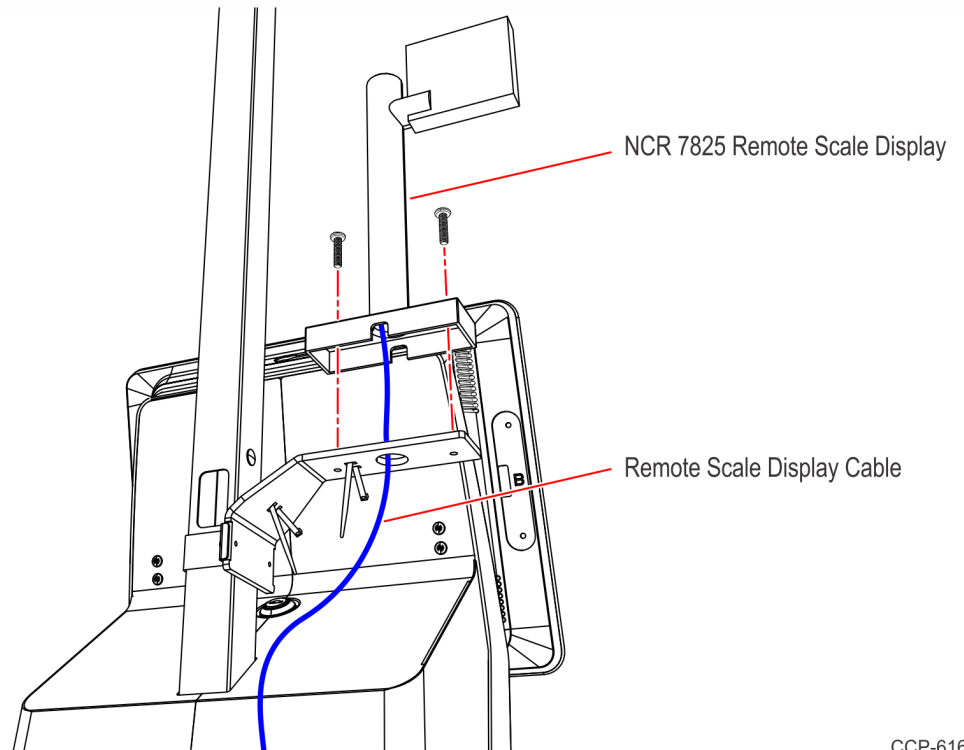
CCP-61635

3. Thread a cable tie into each pair of cable management holes in the Bracket.



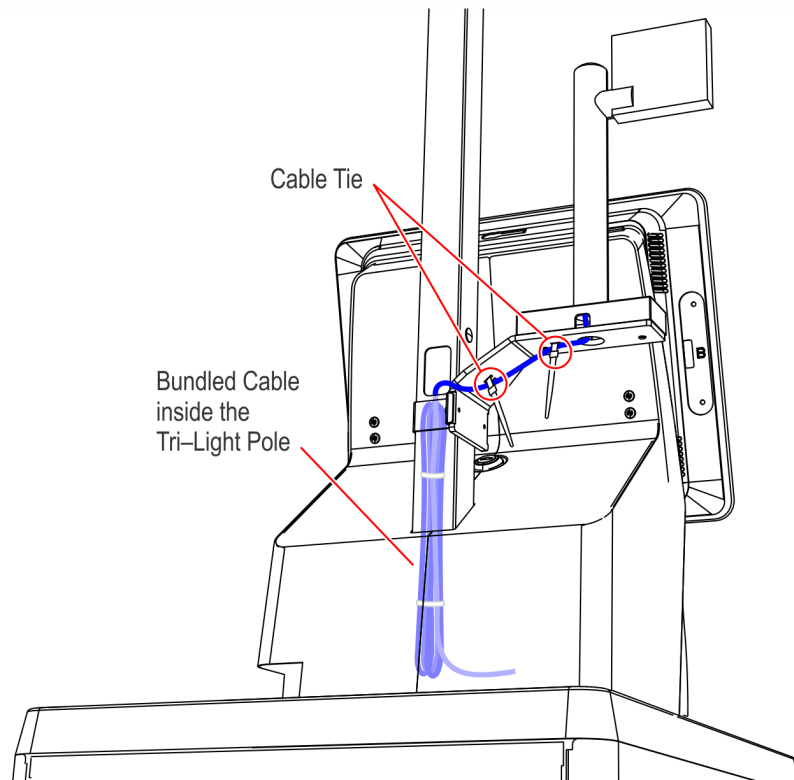
CCP-61636

4. Route the Remote Scale Display Cable through the hole in the Bracket, then install the NCR 7825 Remote Scale Display on the Bracket using two screws.



CCP-61637

## 5. Route the Remote Scale Display Cable.



CCP-61638

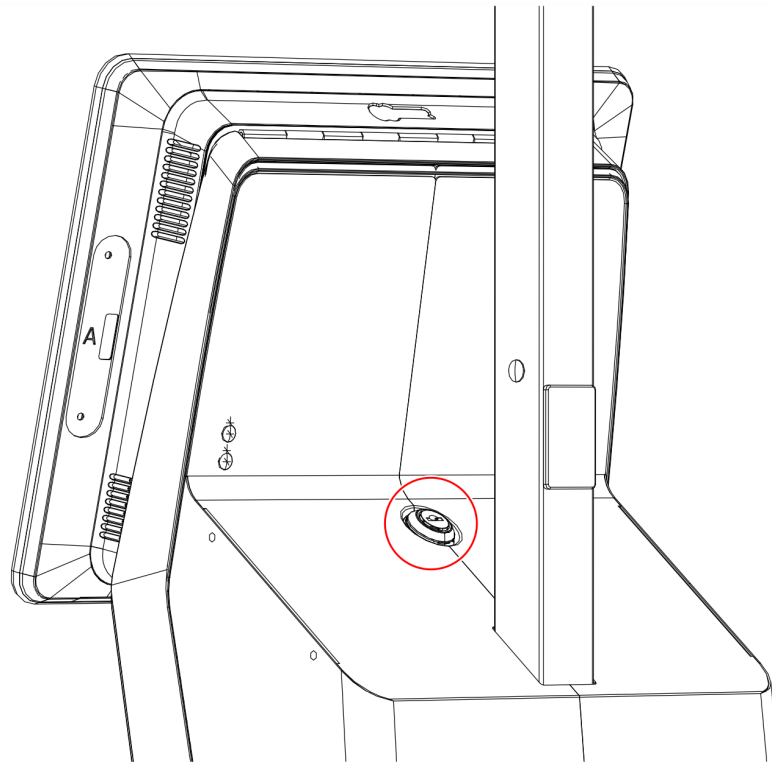
- a. Secure the Cable to the Bracket using the cable ties.
- b. Bundle the Cable and leave about 0.5 m of loose end.



**Note:** The bundle should be approximately equal to the height from the bottom of the tower to the cable opening on the Tri-Light Pole.

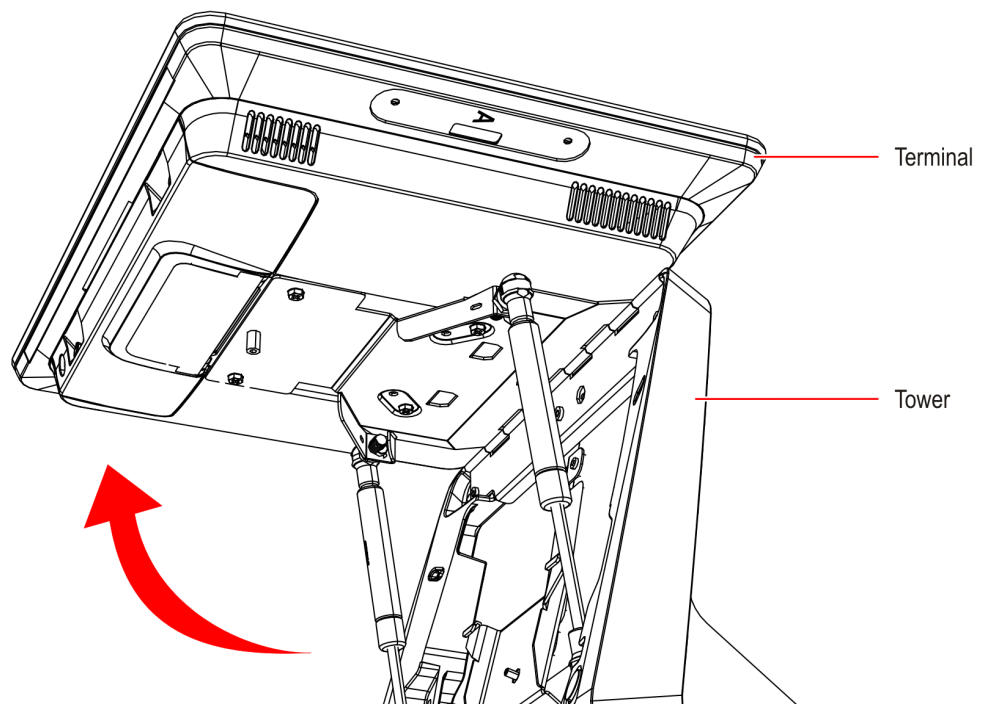
- c. Insert the bundled cable and its loose end down the Tri-Light Pole.

6. Use a key to unlock the tower.



CCP-61622

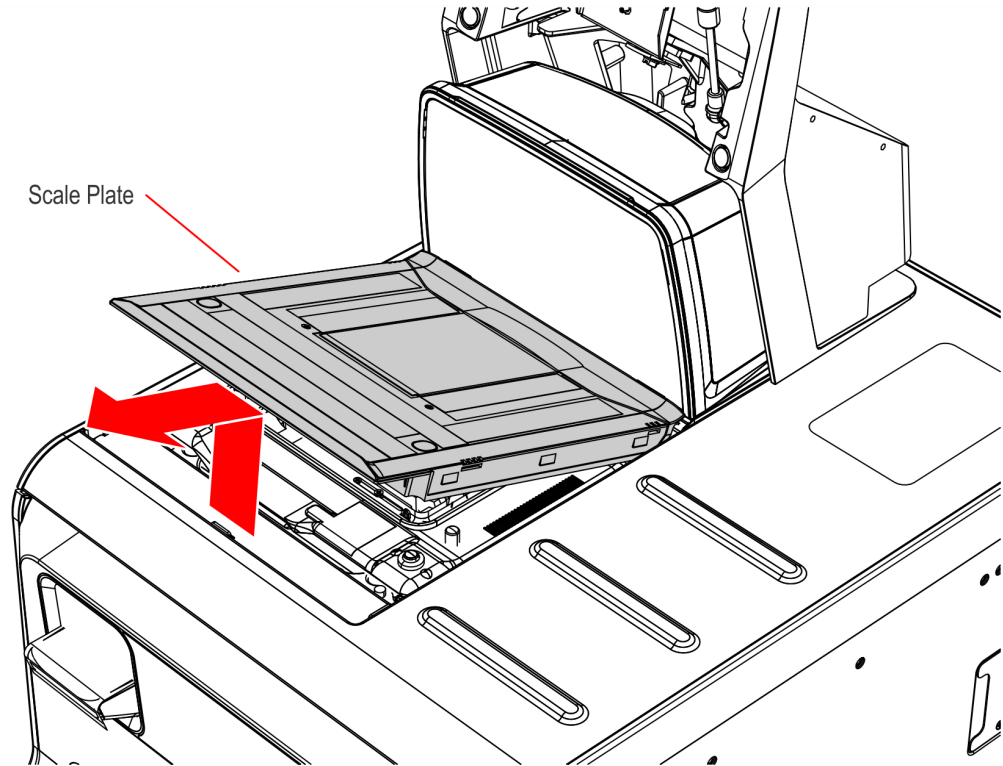
7. Raise the terminal.



CCP-62073

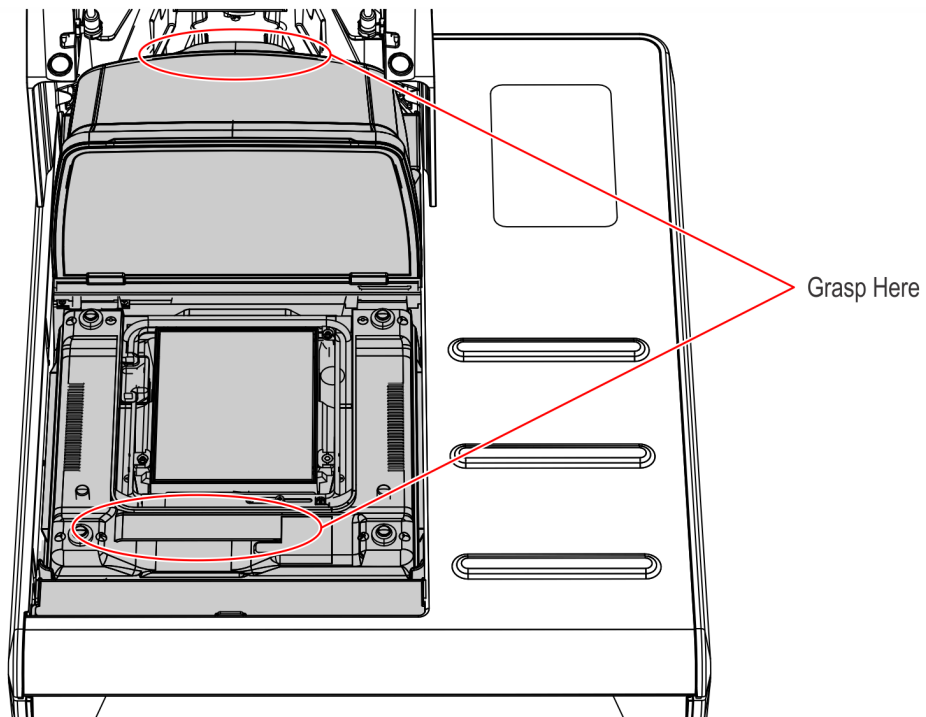


8. Remove the Scanner from the bucket area.
  - a. Lift and remove the Scale Plate from the Scanner.



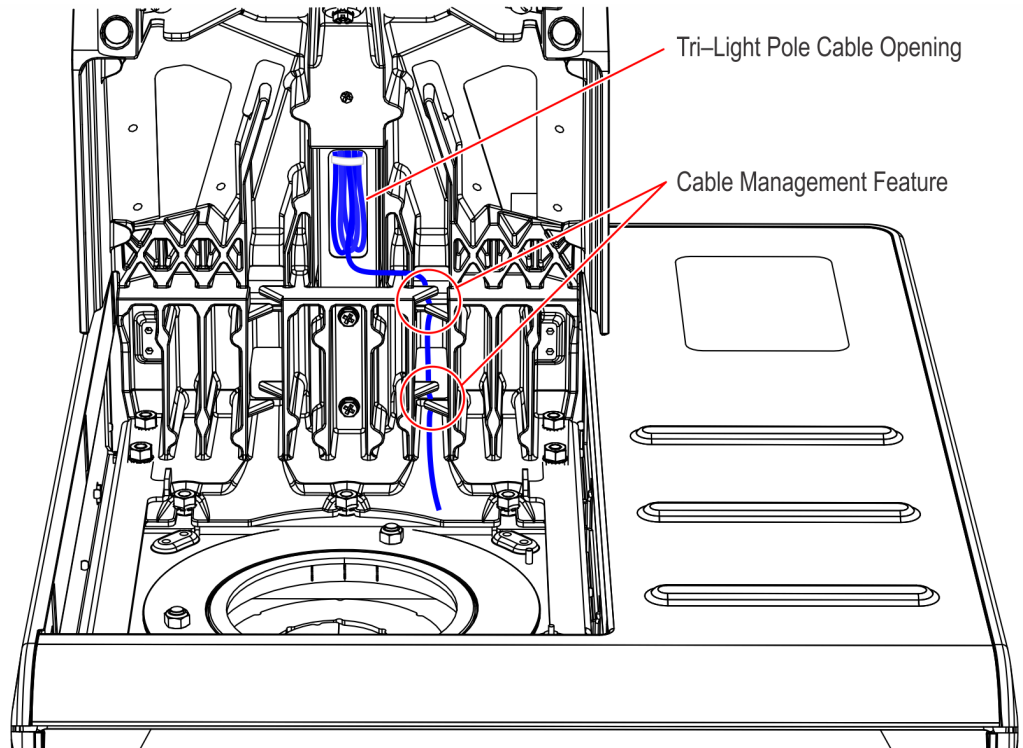
CCP-61624

- b. Grasp the front of the Scanner and lift up, then grasp the back of the Scanner and slide the Scanner out of the bucket area.



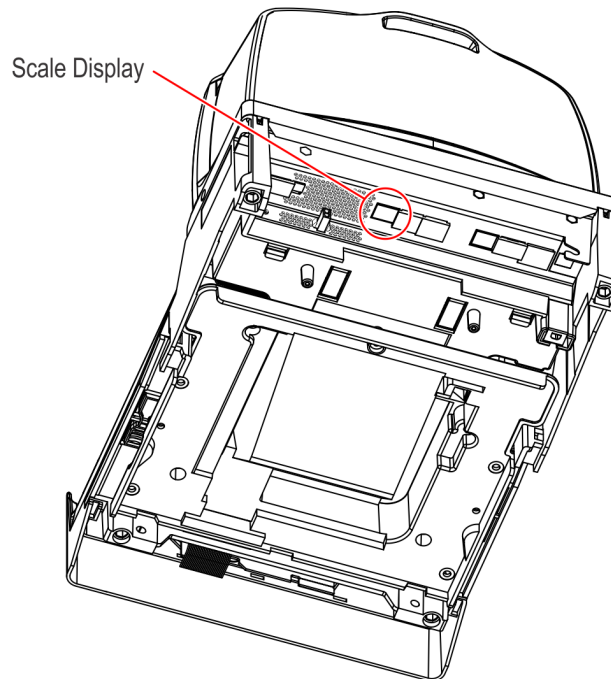
CCP-61625

9. Pull out the loose end of the Remote Scale Display Cable and route as shown.



CCP-61639

10. Connect the Remote Scale Display Cable on the back of the Scanner.



CCP-61640

11. Reinstall the Scanner into the bucket area.

12. Reinstall the Scale Plate.
13. Lower the terminal then lock the tower.