

Kit Instructions

NCR 7895 Scanner/Scale Shroud



7360-K895
Issue B



The product described in this document is a licensed product of NCR Corporation.

NCR is a registered trademark of NCR Corporation. NCR FastLane SelfServ™ Checkout is a trademark of NCR Corporation in the United States and/or other countries. Other product names mentioned in this publication may be trademarks or registered trademarks of their respective companies and are hereby acknowledged.

The terms HDMI and HDMI High-Definition Multimedia Interface, and the HDMI Logo are trademarks or registered trademarks of HDMI Licensing LLC in the United States and other countries.

Where creation of derivative works, modifications or copies of this NCR copyrighted documentation is permitted under the terms and conditions of an agreement you have with NCR, NCR's copyright notice must be included.

It is the policy of NCR Corporation (NCR) to improve products as new technology, components, software, and firmware become available. NCR, therefore, reserves the right to change specifications without prior notice.

All features, functions, and operations described herein may not be marketed by NCR in all parts of the world. In some instances, photographs are of equipment prototypes. Software screen images are representative, and in some cases, may not match a customer's installed software exactly. Therefore, before using this document, consult with your NCR representative or NCR office for information that is applicable and current.

Copyright © 2021-2023

By NCR Corporation

864 Spring St. NW

Atlanta, GA 30308

United States

All Rights Reserved

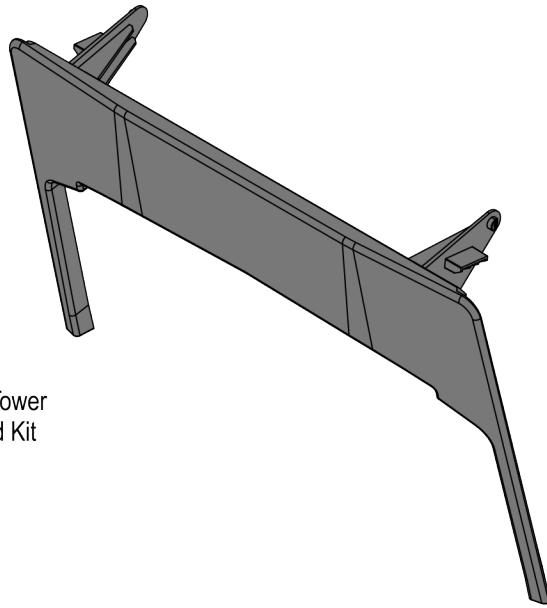
Revision Record

Issue	Date	Remarks
A	July 2021	First Issue
B	Mar 2023	<ul style="list-style-type: none">• Updated Kit Contents• Modified <i>Installation Procedure</i> on page 2.

NCR 7895 Scanner/Scale Shroud

This publication provides procedure for installing an NCR 7895 Scanner/Scale Shroud to the NCR FastLane SelfServ™ Checkout (7360).

Kit Contents



7895 Tower
Shroud Kit

CCP-82379

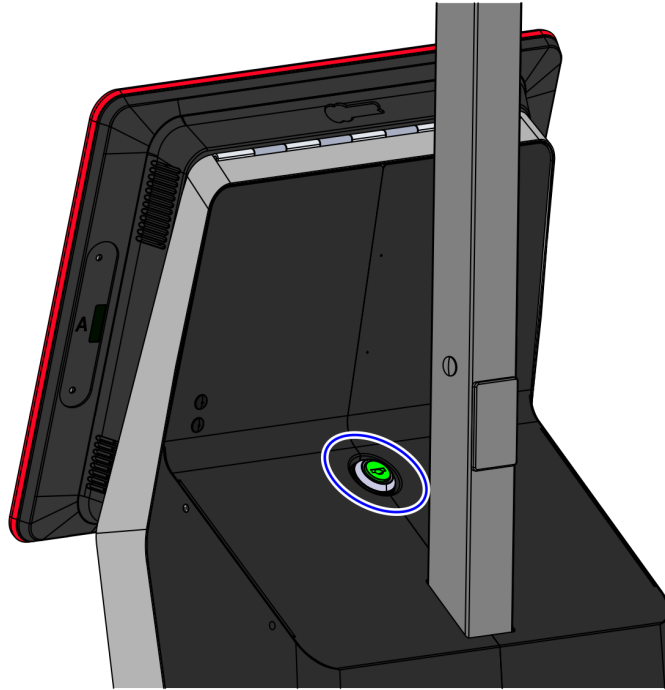
Part Number	Description
497-0529905	7360-K895 7895 Tower Shroud Kit
497-0533484	Shroud, Plastic, R6
* 497-0423108	Instructions Kit (Reference Sheet)

* Items marked with an asterisk are not called out on the image.

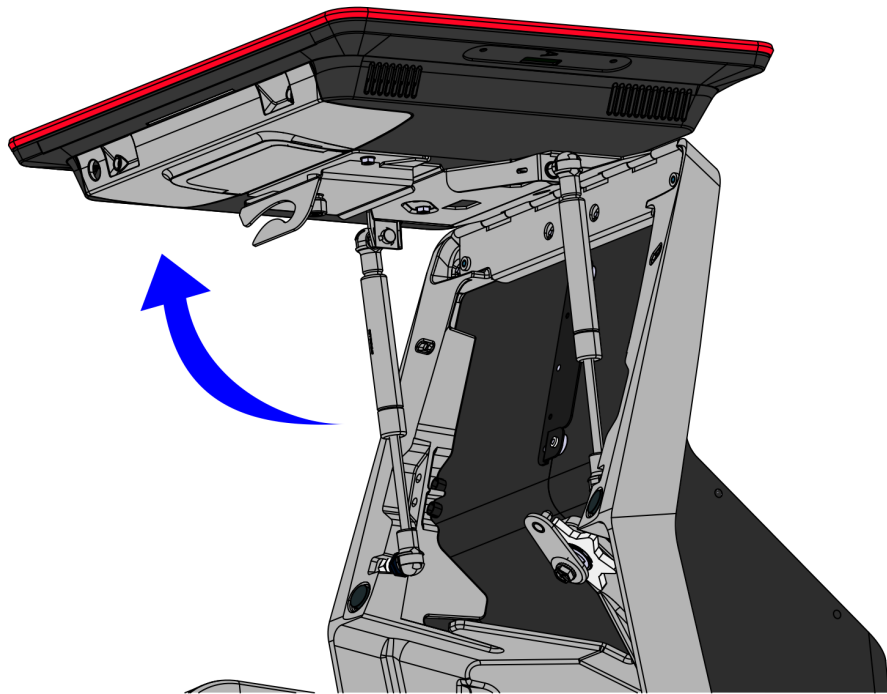
Installation Procedure

To install the NCR 7895 Scanner/Scale Shroud, follow these steps:

1. Shut down the NCR FastLane SelfServ™ Checkout (7360) software and hardware systems.
2. Unlock the Tower frame from the back panels using a key.

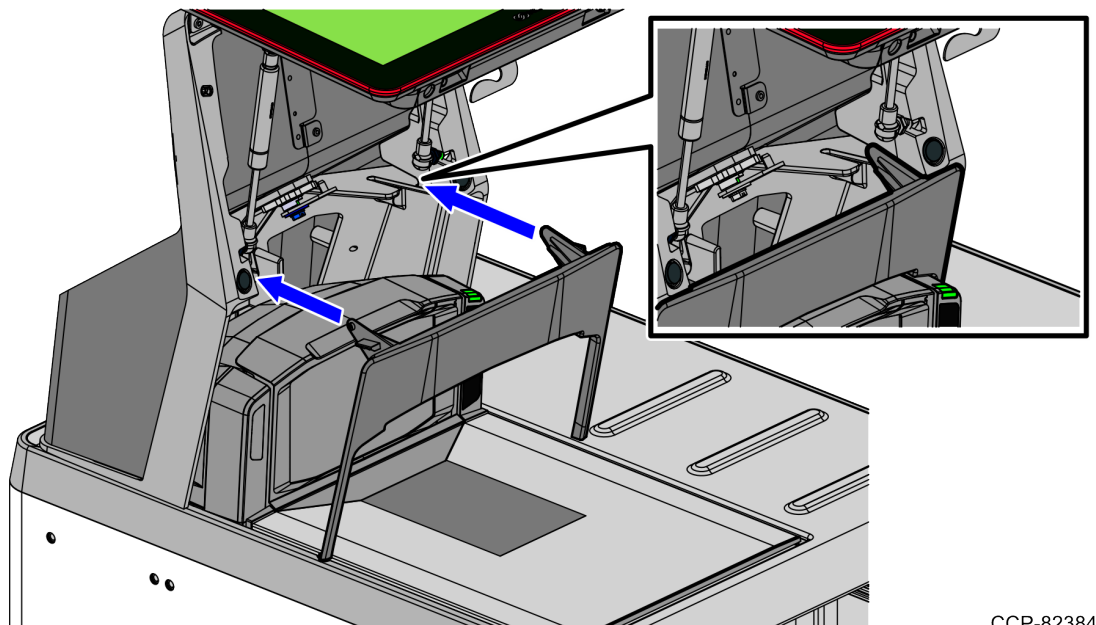


3. Lift the Terminal Display from Tower frame.



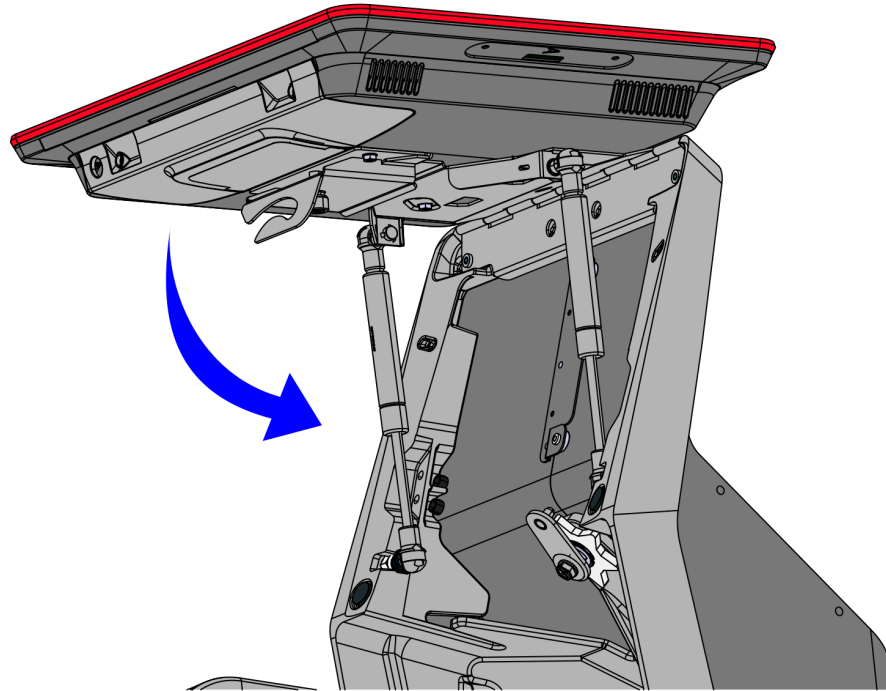
CCP-62073

4. Depending on the Shroud installed in the unit, refer to either of the following options:
 - [Removing the Shroud and Bracket Assembly](#) on page 8.
 - [Removing the R6 Shroud](#) on page 9.
5. Attach the Shroud to the Scanner/Scale by pushing it towards the Scanner/Scale until it locks in place.



CCP-82384

6. Close the Terminal Display and lock the Tower Frame to the back panels.



CCP-78942

7. Ensure that the devices are working properly by powering up the NCR FastLane SelfServ™ Checkout (7360) software and hardware systems.

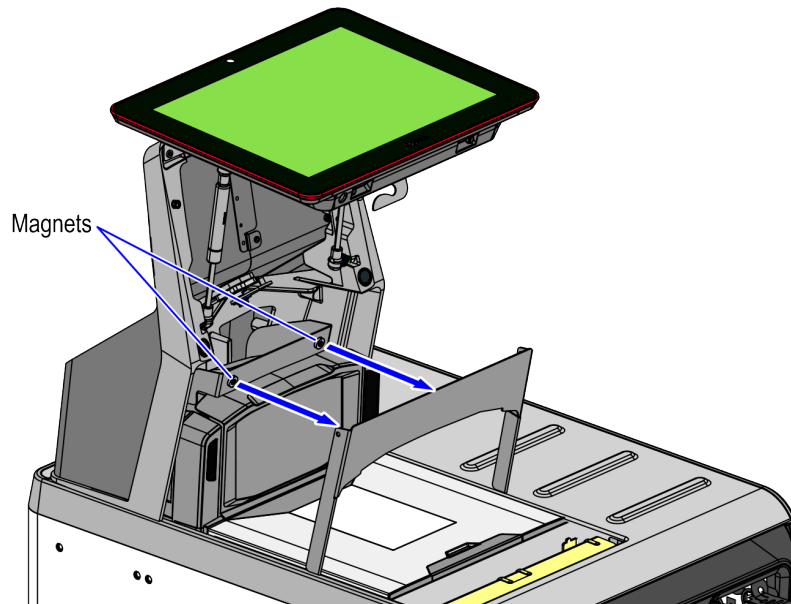
Removing NCR 7895 Scanner/Scale

To remove the NCR 7895 Scanner/Scale, follow these steps:

1. Depending on the type of Shroud installed in the unit, refer to either of the following options to detach the Shroud.

Shroud and Bracket Assembly

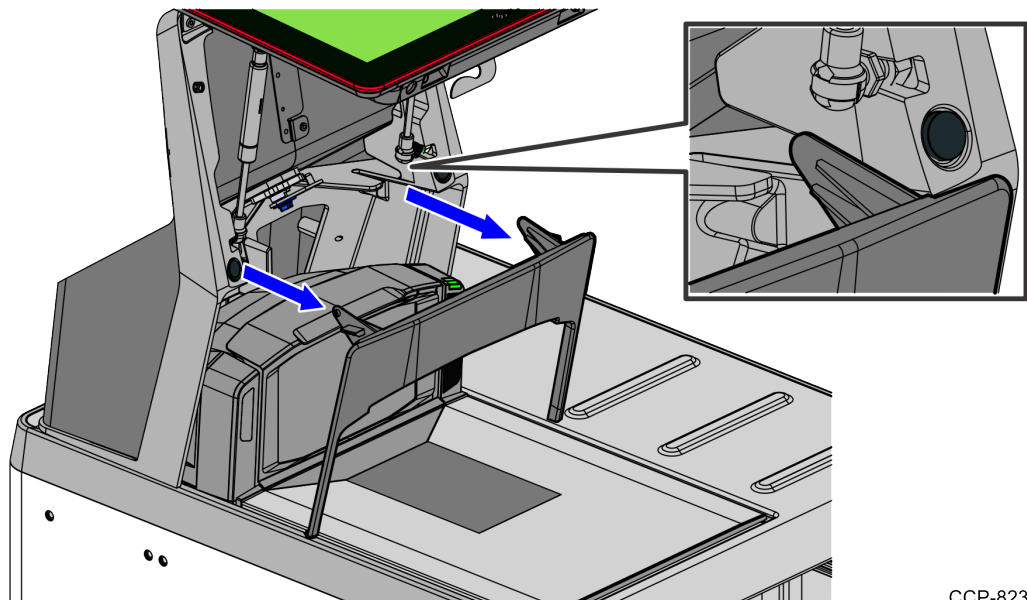
Detach the Shroud by pulling it out from the Scanner/Scale.



CCP-82388

R6 Shroud

Detach the R6 Shroud by pulling it out from the Scanner/Scale.



CCP-82389

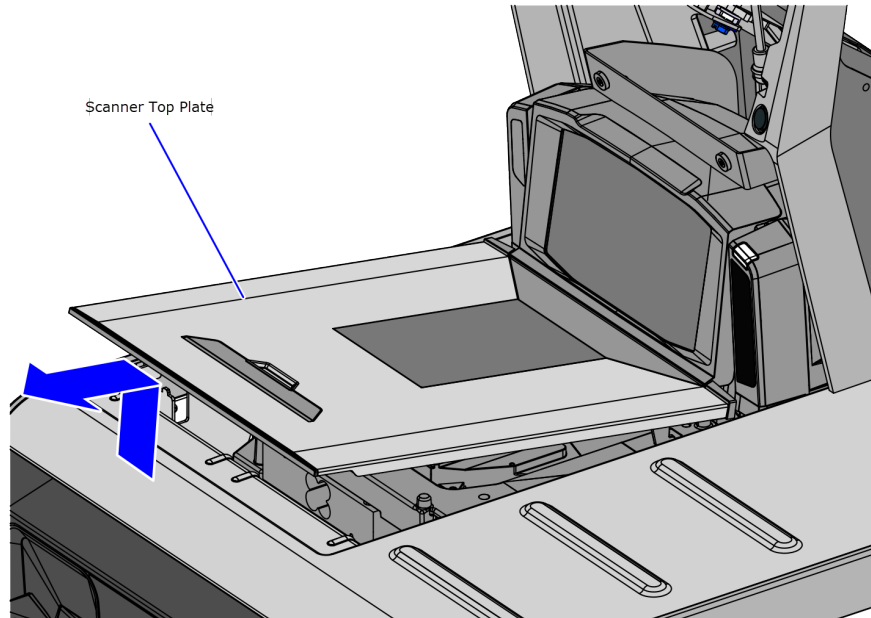


Note: To remove the Shroud Bracket, refer to [Removing the Shroud and Bracket Assembly](#) on page 8 .

2. Remove the Scale Plate from the Scanner/Scale.

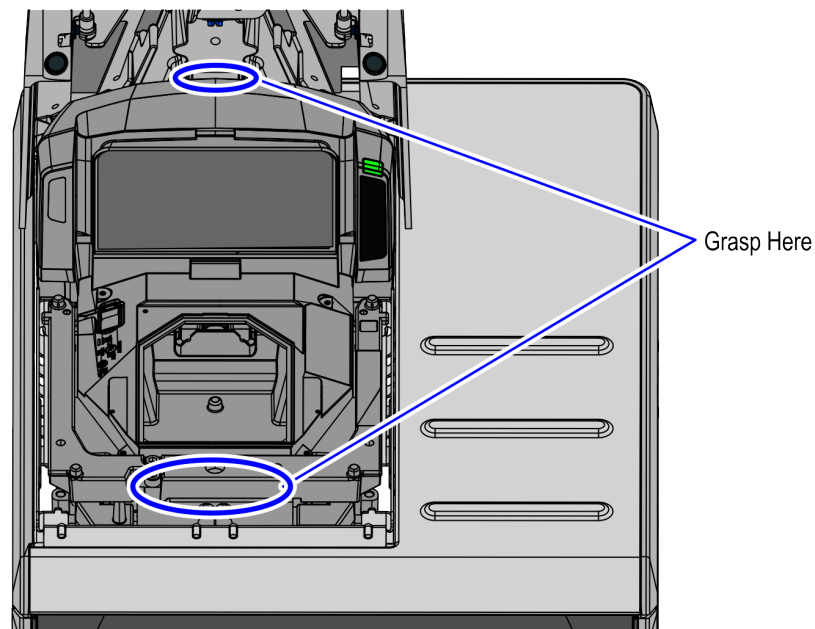


Note: For the purpose of illustration only, it shows images using, the image below shows a unit with a Shroud Bracket.



CCP-79665

3. Remove the Scanner/Scale by doing the following:
 - a. Grasp the front of the Scanner/Scale and lift up.
 - b. Grasp the back of the Scanner/Scale and slide it out of the bucket area.

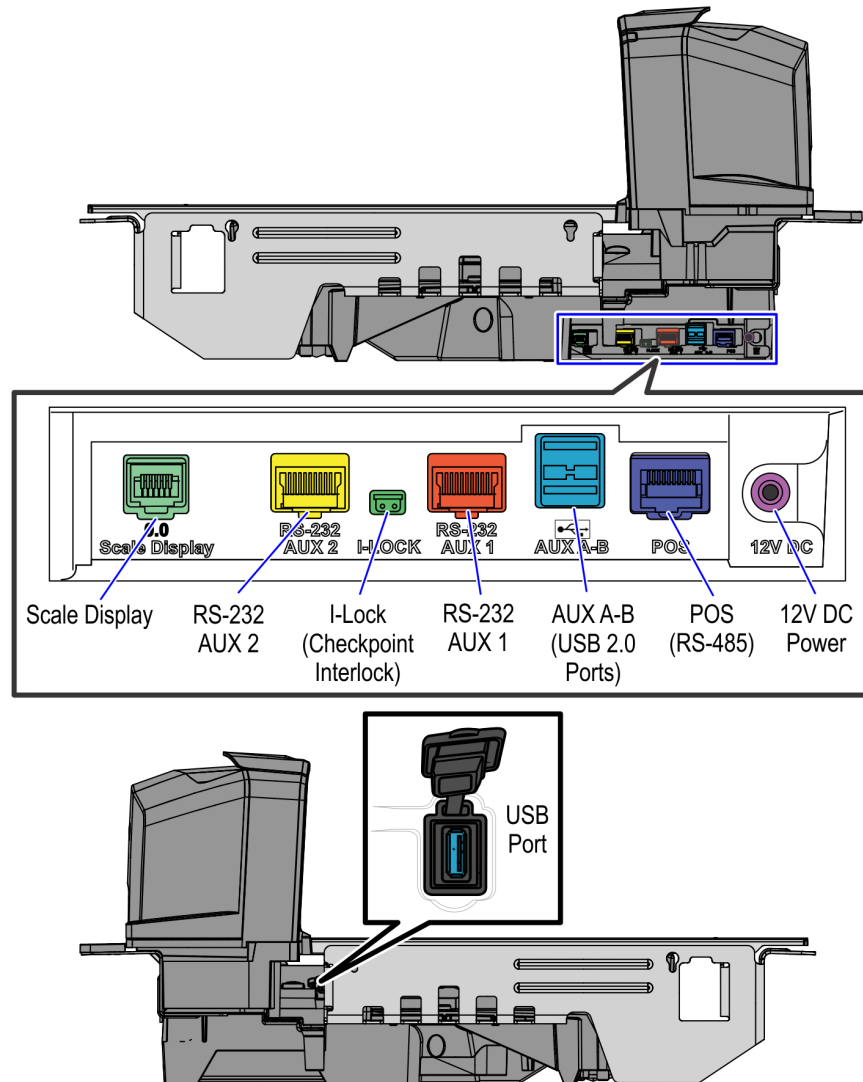


CCP-79769

4. Disconnect the Interface/Power Cable from the USB connector from the Scanner/Scale.



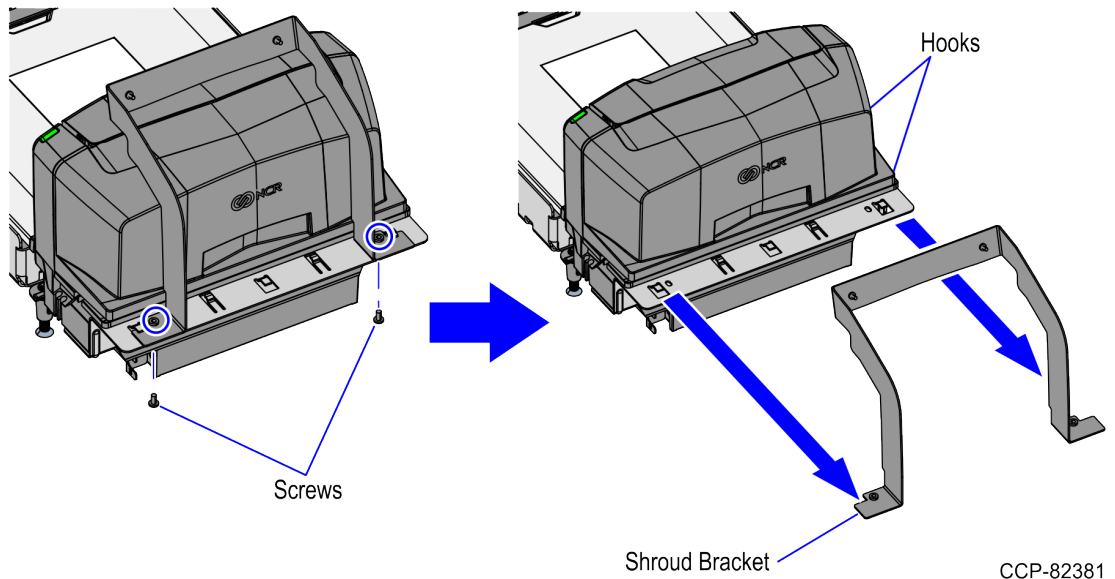
Note: If the Scanner/Scale comes with Sensormatic® features, remove power from the Sensormatic® Controller before removing the Sensormatic® Interface cable and then apply power to the Sensormatic® Controller after reconnecting all Sensormatic® cables.



Removing the Shroud and Bracket Assembly

To remove the shroud and bracket assembly, follow these steps:

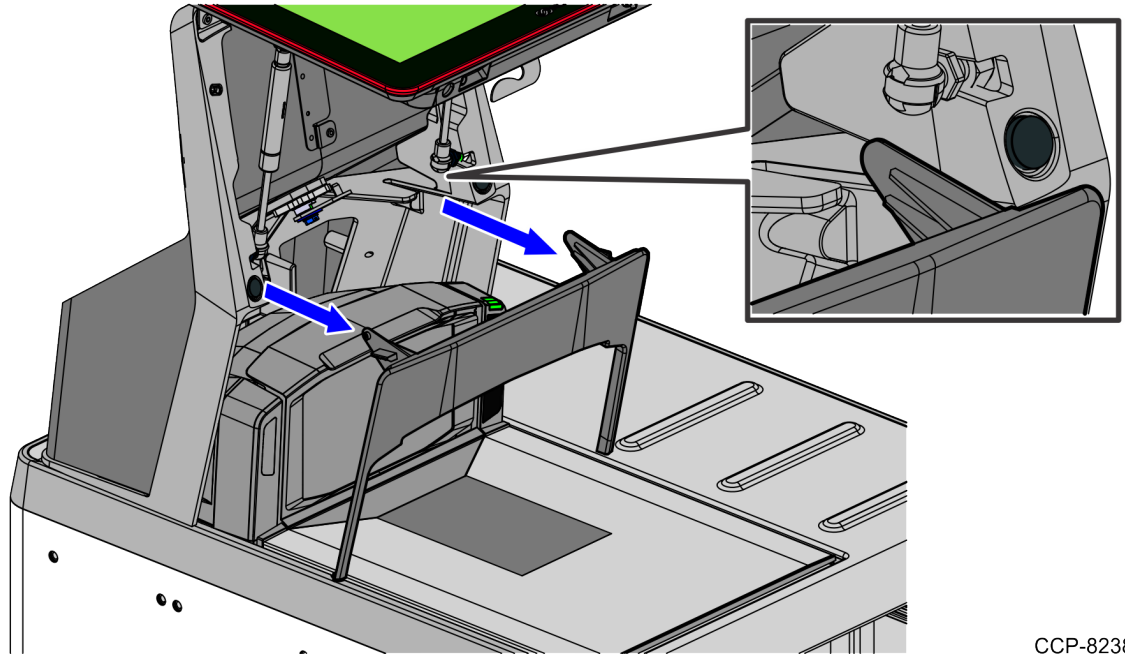
1. Remove the existing Scanner/Scale. For more information, refer to [Removing NCR 7895 Scanner/Scale](#) on page 5.
2. Remove two (2) screws from the back of the ScannerScale to detach the Shroud Bracket.
3. Unhook and slide the Shroud Bracket out from the Scanner/Scale, as shown in the image below.



4. Install the Scanner/Scale. For more information, refer to [Installing NCR 7895 Scanner/Scale](#) on page 10.

Removing the R6 Shroud

To remove the R6 Shroud, detach the R6 Shroud by pulling it out from the Scanner/Scale.

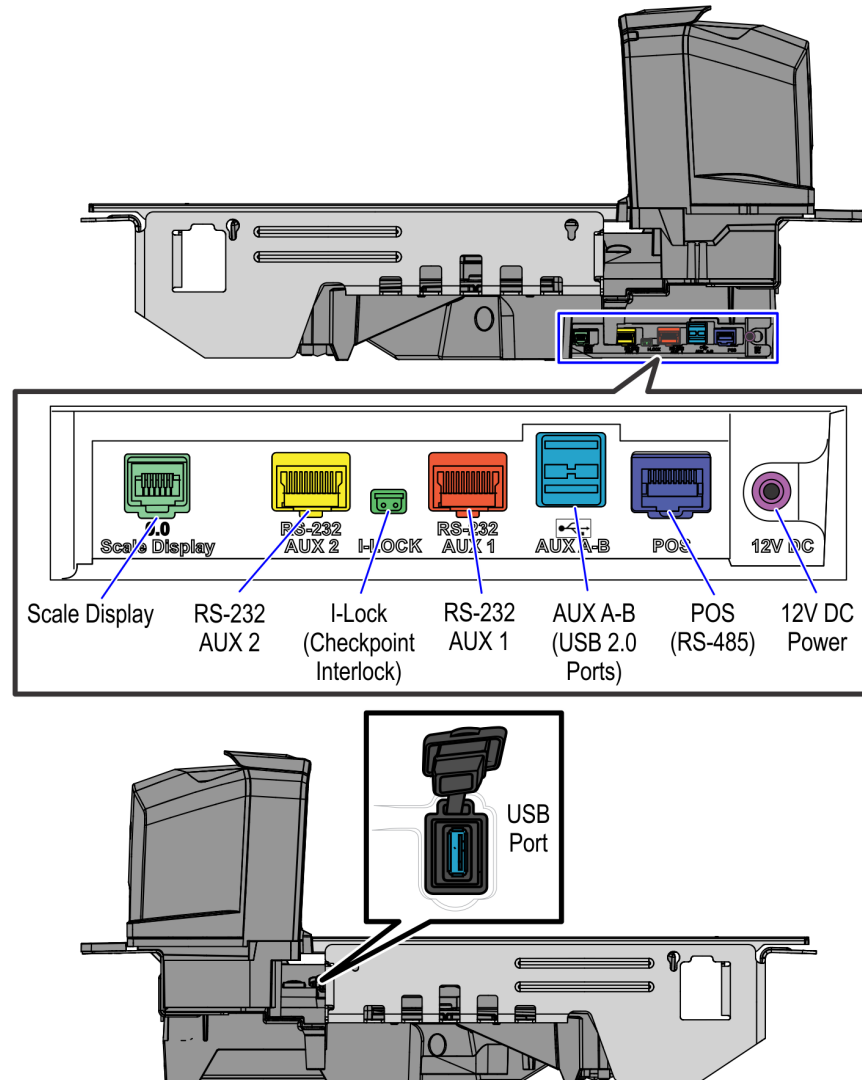


CCP-82389

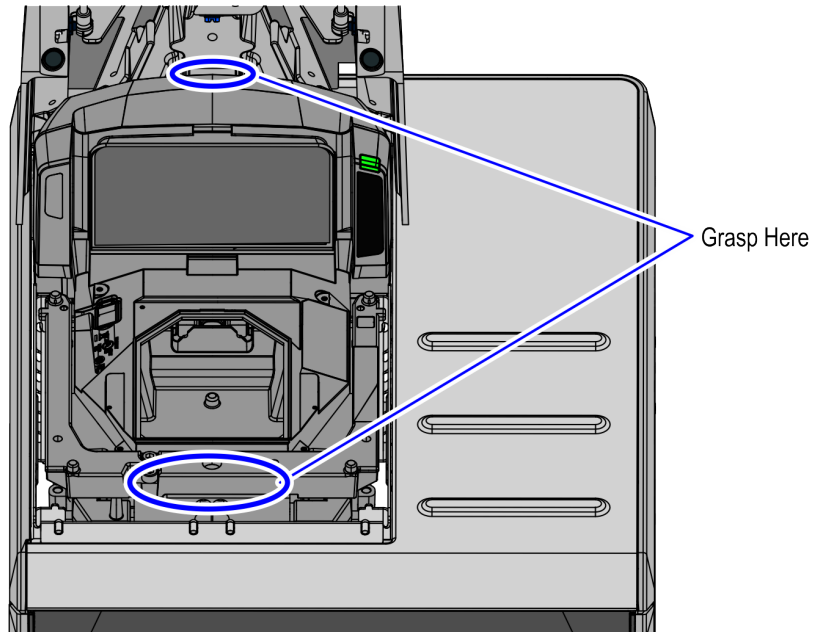
Installing NCR 7895 Scanner/Scale

To install the NCR 7895 Scanner/Scale in a Full Recycling (Fixed) unit, follow these steps:

1. Connect the Interface/Power Cable from the USB connector on the Scanner/Scanner.

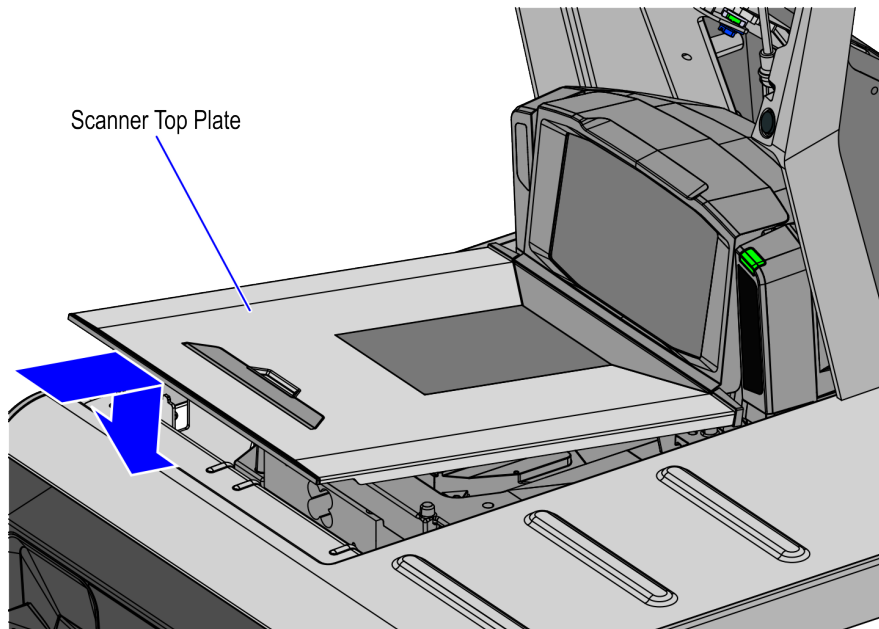


2. Place the Scanner/Scale in the Scanner Bucket.



CCP-79769

3. Place the Scale Plate on the Scanner/Scale, as shown in the image below.



CCP-82382

