

Kit Instructions

7879 Scanner Shroud

7360-K800
Issue B



The product described in this document is a licensed product of NCR Corporation.

NCR is a registered trademark of NCR Corporation. NCR FastLane SelfServ™ Checkout is a trademark of NCR Corporation in the United States and/or other countries. Other product names mentioned in this publication may be trademarks or registered trademarks of their respective companies and are hereby acknowledged.

The terms HDMI and HDMI High-Definition Multimedia Interface, and the HDMI Logo are trademarks or registered trademarks of HDMI Licensing LLC in the United States and other countries.

Where creation of derivative works, modifications or copies of this NCR copyrighted documentation is permitted under the terms and conditions of an agreement you have with NCR, NCR's copyright notice must be included.

It is the policy of NCR Corporation (NCR) to improve products as new technology, components, software, and firmware become available. NCR, therefore, reserves the right to change specifications without prior notice.

All features, functions, and operations described herein may not be marketed by NCR in all parts of the world. In some instances, photographs are of equipment prototypes. Therefore, before using this document, consult with your NCR representative or NCR office for information that is applicable and current.

To maintain the quality of our publications, we need your comments on the accuracy, clarity, organization, and value of this book. Please use the link below to send your comments.

EMail: FD230036@ncr.com

Copyright © 2016-2017

By NCR Corporation

Duluth, GA U.S.A.

All Rights Reserved

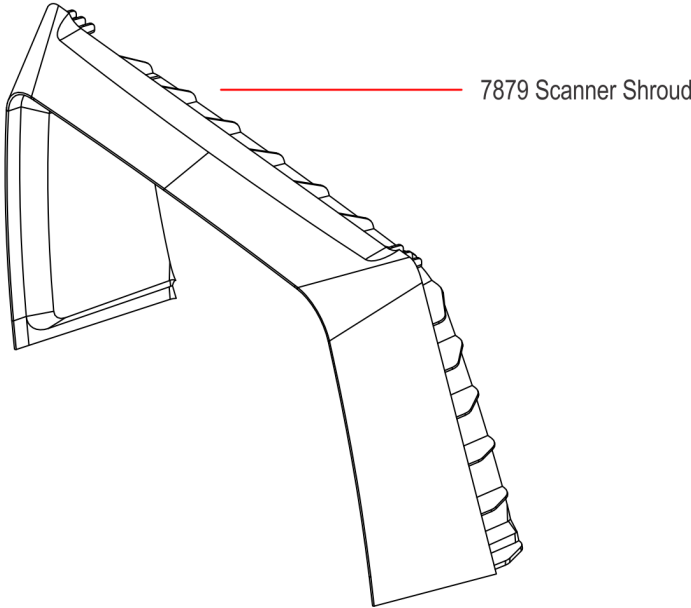
Revision Record

Issue	Date	Remarks
A	Sep 2016	First issue.
B	Jun 2017	Updated IP PDF template.

7879 Scanner Shroud

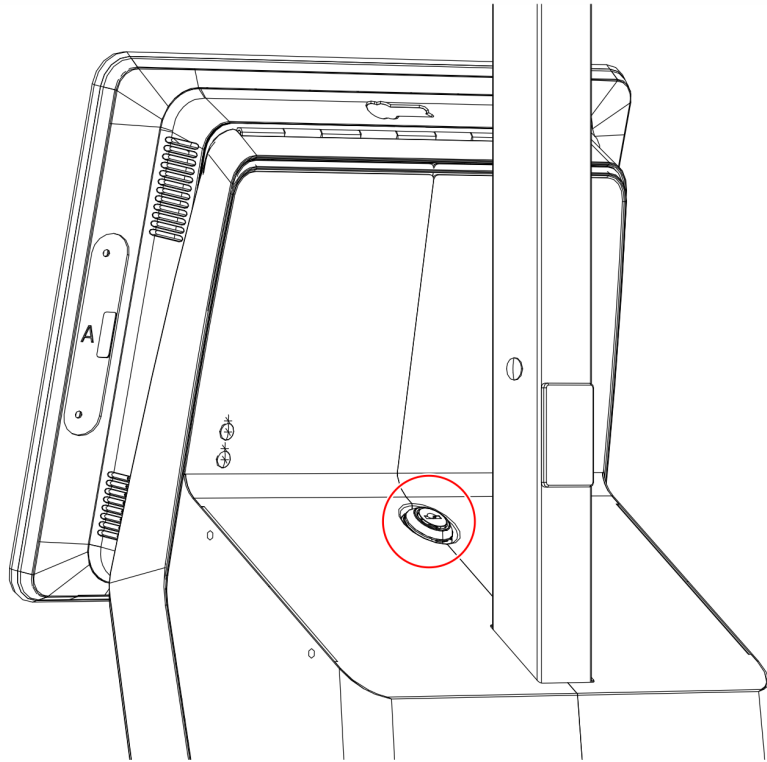
This kit contains a Shroud for the 7879 Scanner of the NCR FastLane SelfServ™ Checkout 7360.

Kit Contents



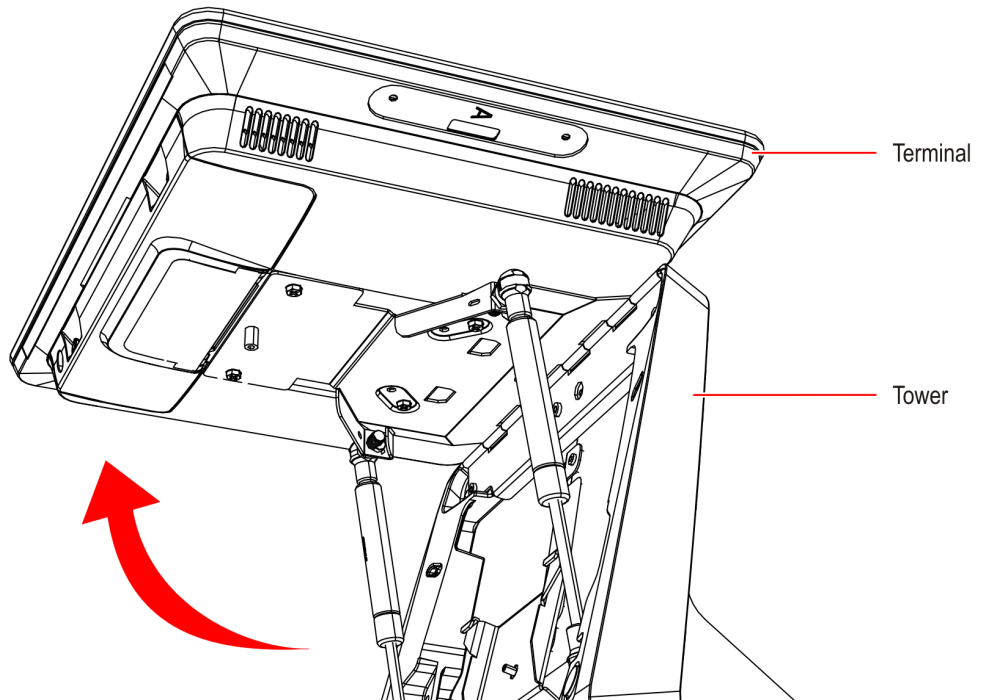
Installation Procedure

1. Use a key to unlock the tower.



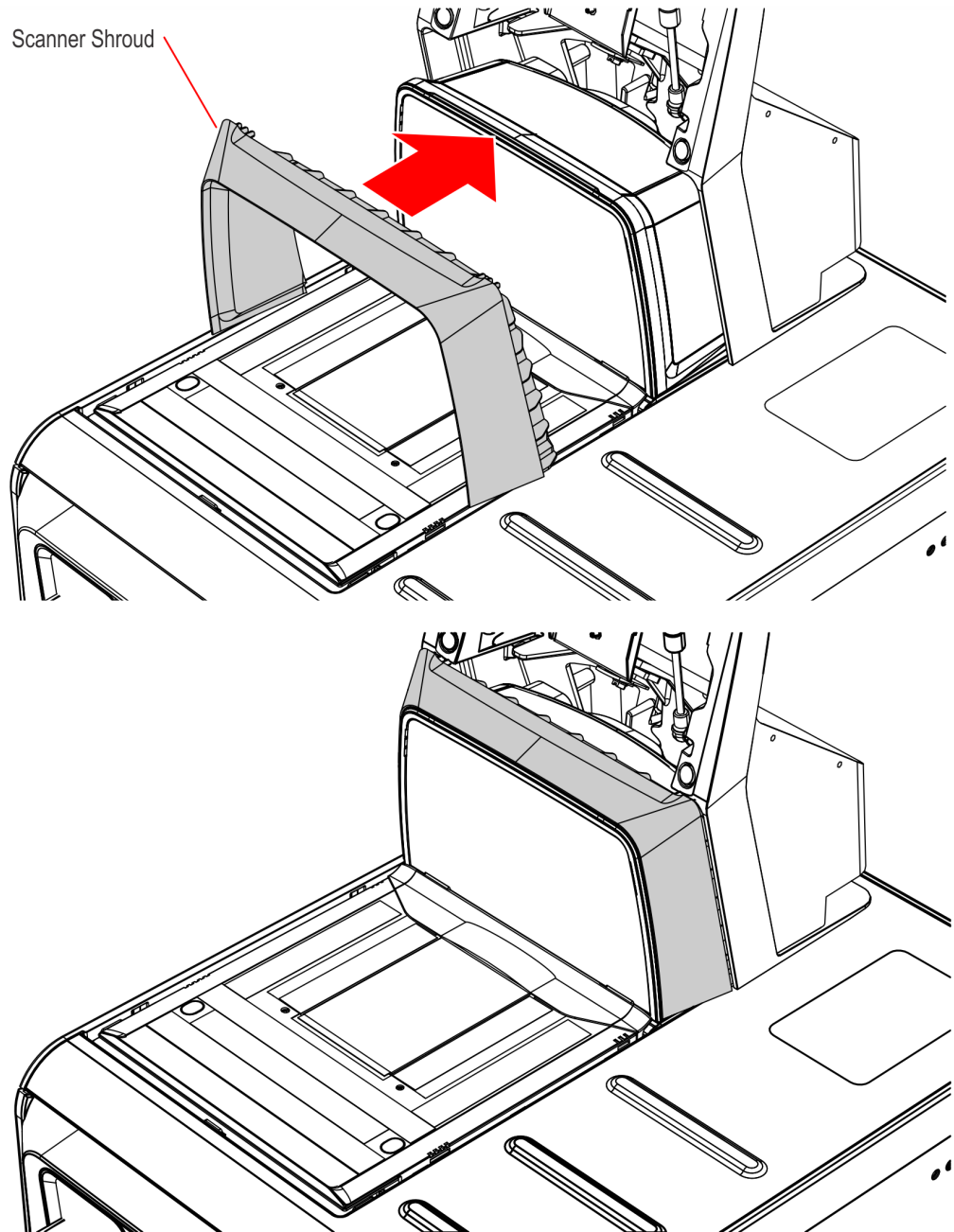
CCP-61622

2. Raise the terminal.



CCP-62073

3. Install the Scanner Shroud on the Scanner. The Shroud is rubber and can flex into place.



CCP-61627

4. Lower the terminal then lock the tower.