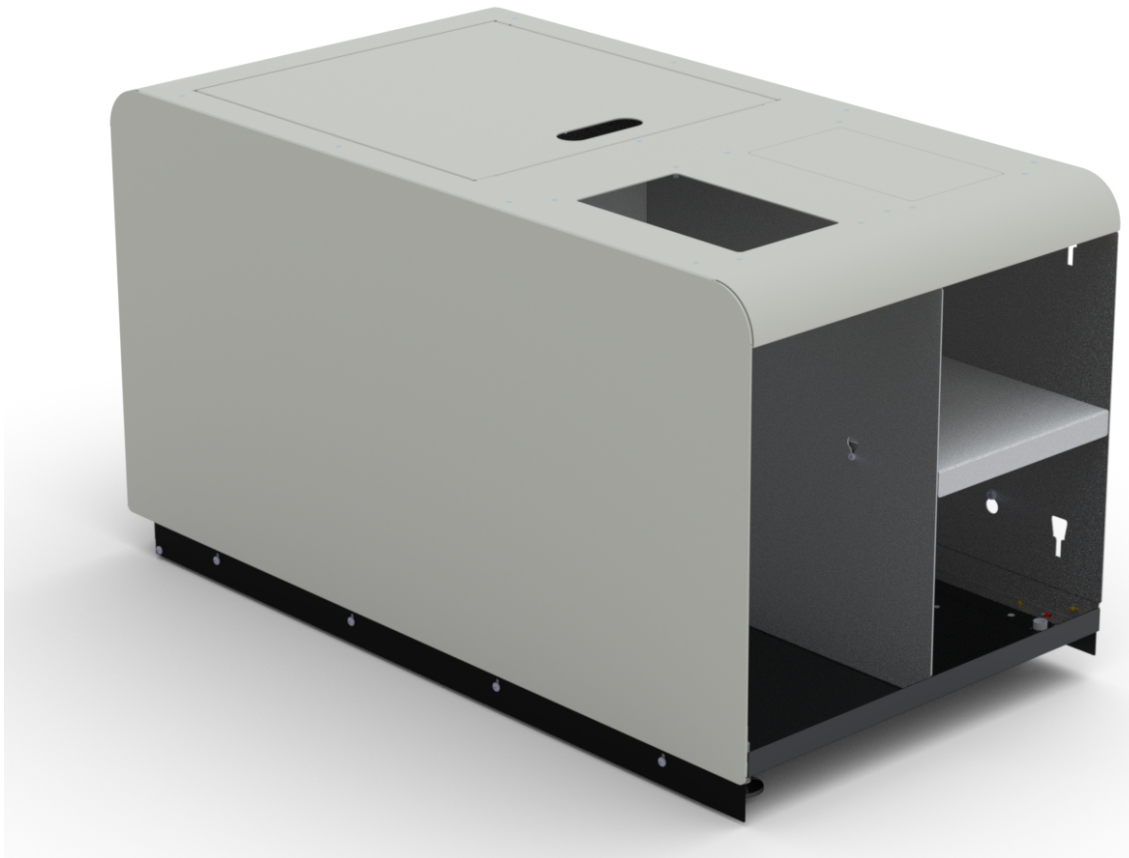


Kit Instructions

Sliding Pack – Accessory Storage Unit (NCR Dark White)



7360-K783
Issue B



The product described in this document is a licensed product of NCR Corporation.

NCR is a registered trademark of NCR Corporation. NCR FastLane SelfServ™ Checkout is a trademark of NCR Corporation in the United States and/or other countries. Other product names mentioned in this publication may be trademarks or registered trademarks of their respective companies and are hereby acknowledged.

The terms HDMI and HDMI High-Definition Multimedia Interface, and the HDMI Logo are trademarks or registered trademarks of HDMI Licensing LLC in the United States and other countries.

Where creation of derivative works, modifications or copies of this NCR copyrighted documentation is permitted under the terms and conditions of an agreement you have with NCR, NCR's copyright notice must be included.

It is the policy of NCR Corporation (NCR) to improve products as new technology, components, software, and firmware become available. NCR, therefore, reserves the right to change specifications without prior notice.

All features, functions, and operations described herein may not be marketed by NCR in all parts of the world. In some instances, photographs are of equipment prototypes. Therefore, before using this document, consult with your NCR representative or NCR office for information that is applicable and current.

To maintain the quality of our publications, we need your comments on the accuracy, clarity, organization, and value of this book. Please use the link below to send your comments.

EMail: FD230036@ncr.com

Copyright © 2017-2020

By NCR Corporation

864 Spring St. NW

Atlanta, GA 30308

United States

All Rights Reserved

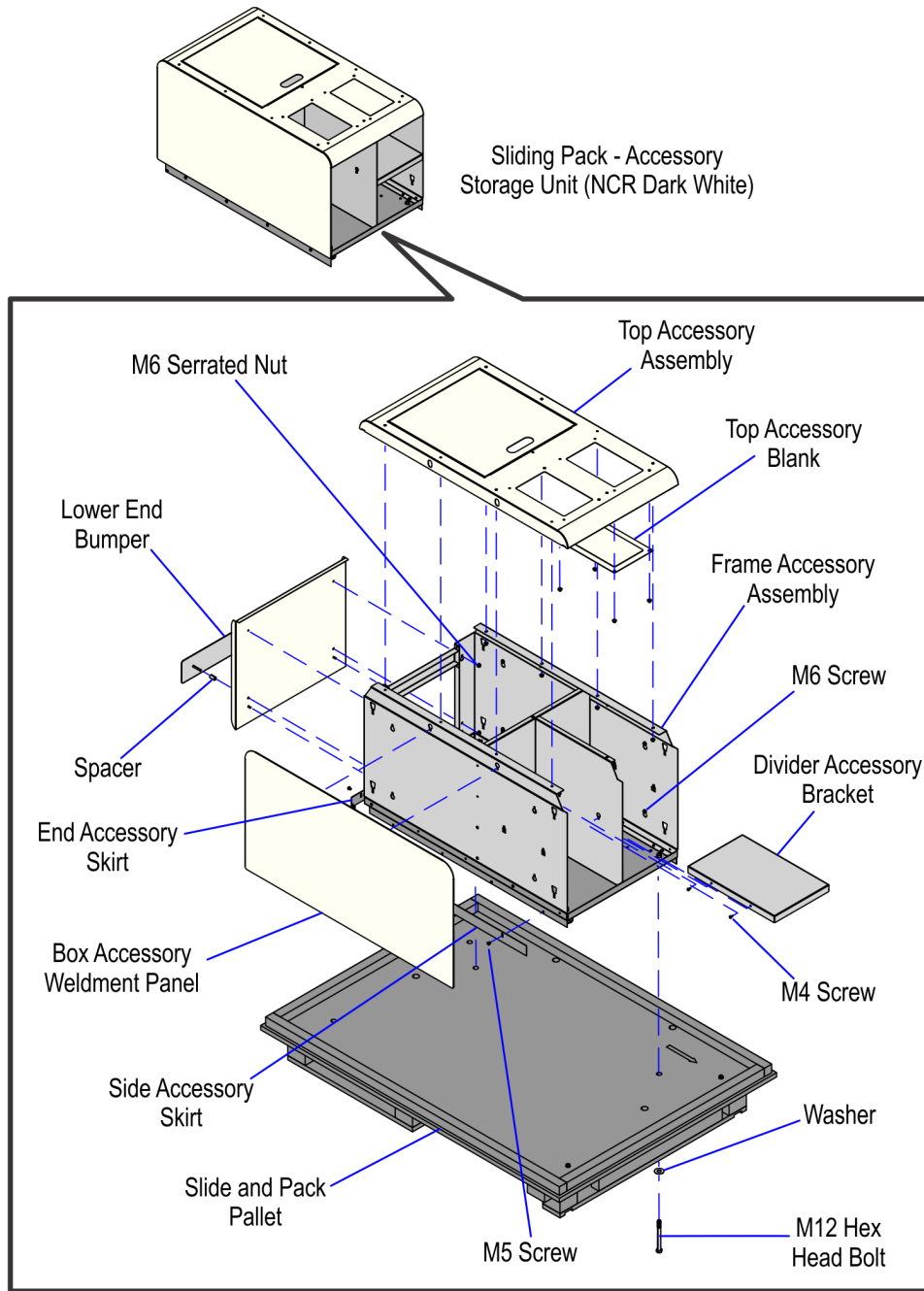
Revision Record

Issue	Date	Remarks
A	Nov 2017	First release.
B	Dec 2020	Updated Kit Contents.

7360-K783 Sliding Pack – Accessory Storage Unit

This kit contains accessory storage unit component for sliding pack module in an NCR FastLane SelfServ™ Checkout (7360) unit.

Kit Contents



CCP-80118

Part Number	Description
497-0518675	7360-K783 Sliding Pack - Accessory Storage Unit (NCR Dark White) Kit
006-8623181	Screw – M5 x 0.80, 8 mm Length, Machine, Pan Head, Black Oxide (8 pcs)

Part Number	Description
009-0006593	Screws M4 x 10 (2 pcs)
009-0006599	Screw Hex M6 x 12 MC COMB (4 pcs)
009-0007088	Serrated Nut - Self Locking (M6, 6.0) (22 pcs)
497-0506263	Black Nylon Spacer 12.7 mm OD x 6.6 mm ID x 22.23 mm L (2 pcs)
497-0513312	Assembly - Frame - Accessory - R6
497-0515114	Bracket - Divider - Accessory - R6
497-0515120	Skirt - End - Accessory - R6
497-0515121	Skirt - Side - Accessory - R6
497-0519707	Bumper - Lower - End
795-0264901	Panel - Outer - Bagwell (NCR Dark White)
795-0244601	Weldment Panel - Box - Accessory (NCR Dark White)
795-0244701	Assembly - Top - Accessory (NCR Dark White)
795-0245001	Blank - Top - Accessory (NCR Dark White)
497-0526693	Slide And Pack Pallet No Support Frame
006-8627393	Bolt - Hex Head, M12 x 130 mm (2 pcs)
006-8611488	Washer - Flat, 0.557 in Dd, 1.368 in OD, 0.086 in Thk (2 pcs)
* 497-0423108	Instructions Kit (Reference Sheet)

* Items marked with an asterisk are not called out on the image.

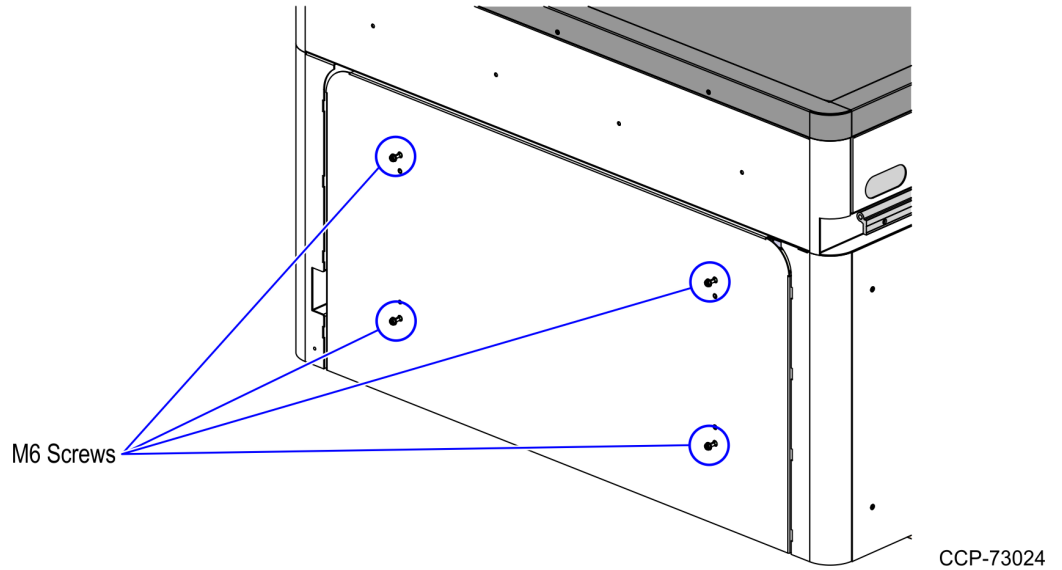
Installation Procedures

The Sliding Pack – Accessory Storage Unit can be installed on a Left-hand or Right-hand configuration. To install the Storage Unit, follow these steps:

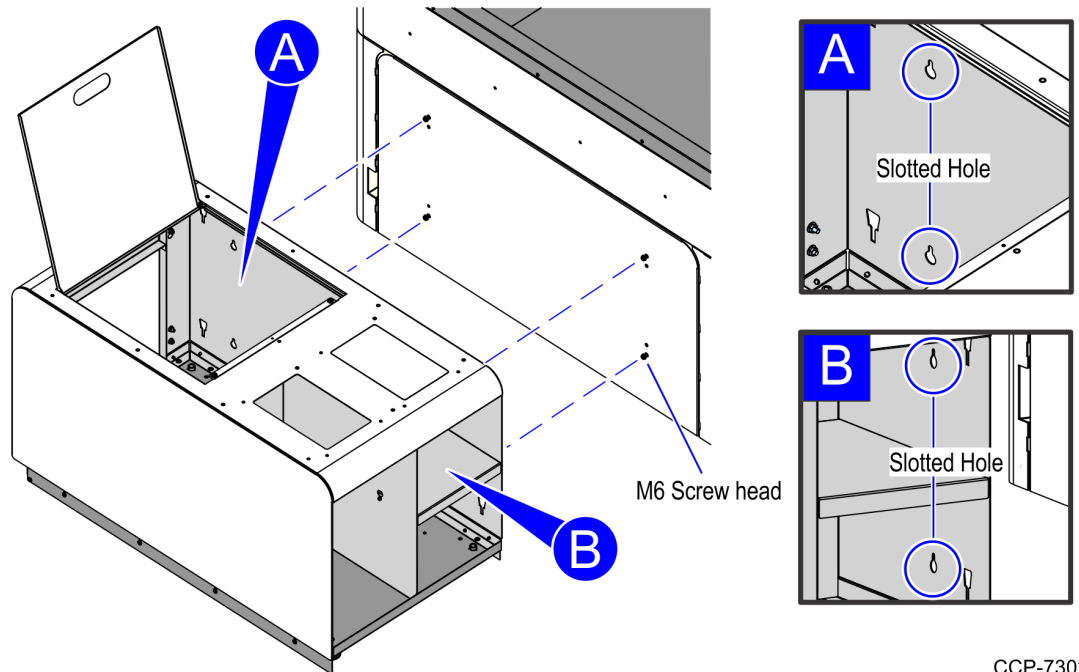


Note: This procedure provides instructions for installing the kit on a Left-hand configuration only as an example.

1. Partially install the four M6 screws at the back of sliding pack main unit.



2. Align each M6 screw head with the slotted holes of the storage unit as shown in the image below.



3. Insert and then tighten each M6 screw head into its corresponding hole slot as shown in the image below.

