

# Kit Instructions

Sliding Pack – Bumpers

7360-K781  
Issue A



---

The product described in this document is a licensed product of NCR Corporation.

NCR is a registered trademark of NCR Corporation. NCR FastLane SelfServ™ Checkout is a trademark of NCR Corporation in the United States and/or other countries. Other product names mentioned in this publication may be trademarks or registered trademarks of their respective companies and are hereby acknowledged.

The terms HDMI and HDMI High-Definition Multimedia Interface, and the HDMI Logo are trademarks or registered trademarks of HDMI Licensing LLC in the United States and other countries.

Where creation of derivative works, modifications or copies of this NCR copyrighted documentation is permitted under the terms and conditions of an agreement you have with NCR, NCR's copyright notice must be included.

It is the policy of NCR Corporation (NCR) to improve products as new technology, components, software, and firmware become available. NCR, therefore, reserves the right to change specifications without prior notice.

All features, functions, and operations described herein may not be marketed by NCR in all parts of the world. In some instances, photographs are of equipment prototypes. Therefore, before using this document, consult with your NCR representative or NCR office for information that is applicable and current.

To maintain the quality of our publications, we need your comments on the accuracy, clarity, organization, and value of this book. Please use the link below to send your comments.

*Email:* [FD230036@ncr.com](mailto:FD230036@ncr.com)

Copyright © 2017  
By NCR Corporation  
Duluth, GA U.S.A.  
All Rights Reserved

### Revision Record

Issue	Date	Remarks
A	Nov 2017	First release.

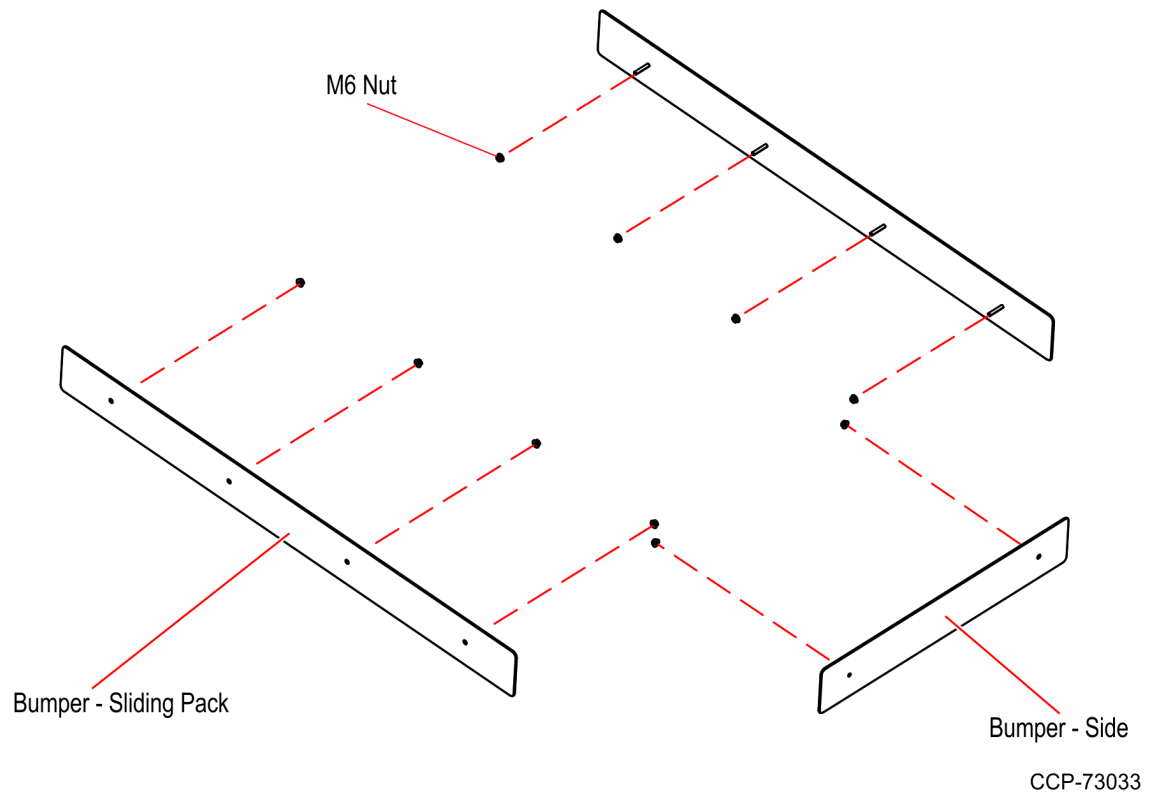
---

# Sliding Pack – Bumpers

---

This kit contains bumper components for Sliding Pack module in an NCR FastLane SelfServ™ Checkout (7360)

## Kit Contents



# Installation Procedures

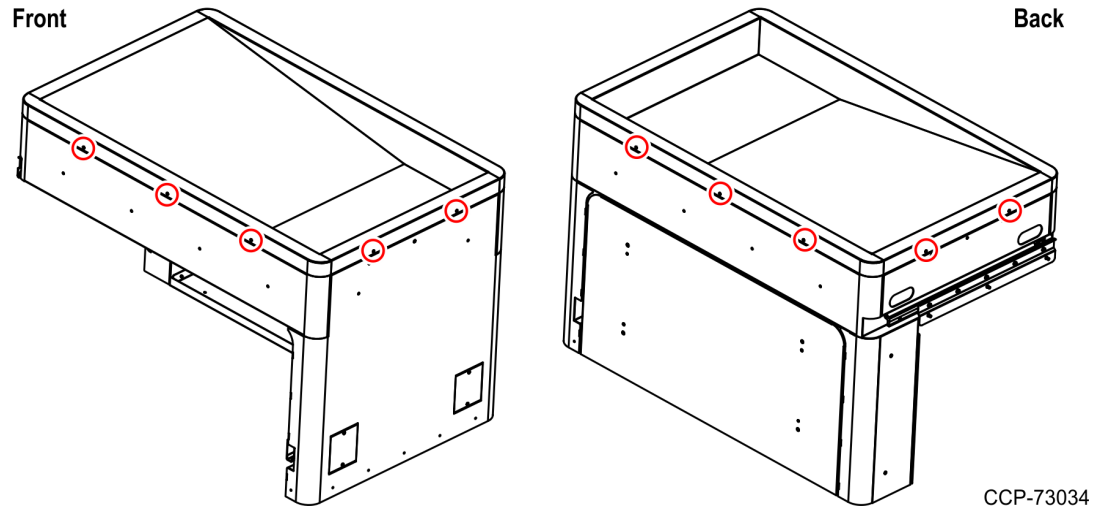
Installing the Bumpers on the Sliding Pack involves the following procedures:

1. [Remove Stainless Steel Top Tray](#) on the facing page.
2. [Install Bumpers](#) on page 4.
3. [Install Stainless Steel Top Tray](#) on page 5.

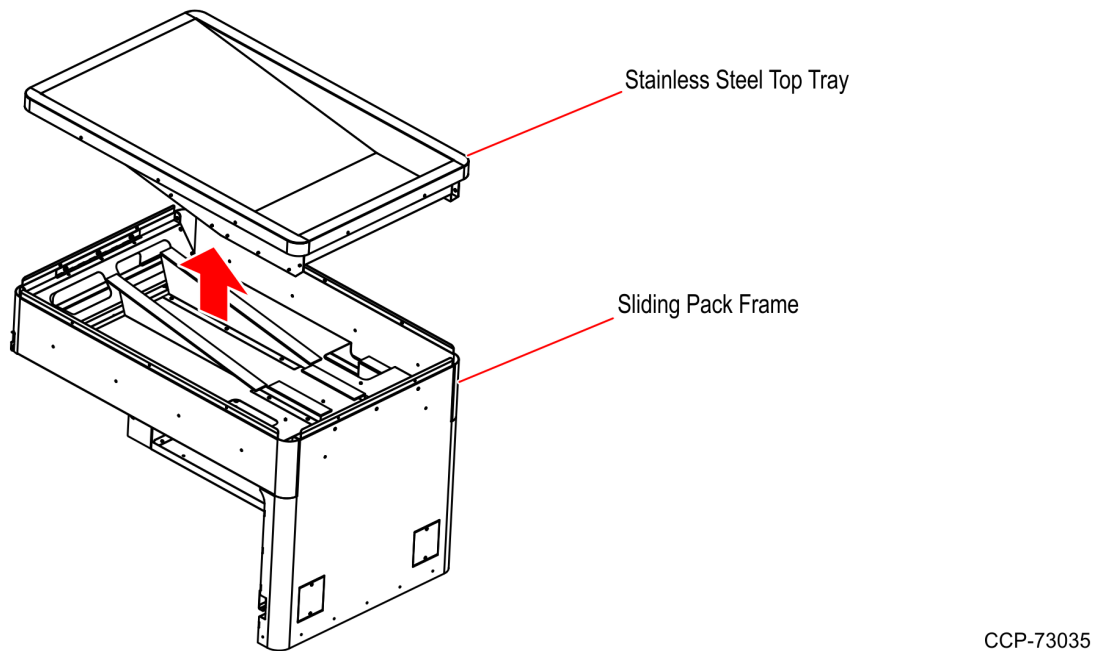
## Remove Stainless Steel Top Tray

To remove Stainless Steel Top Tray from the Sliding Pack, do the following

1. Remove ten M4 screws from the Stainless Steel Top Tray as shown in the image below.



2. Lift and remove the Stainless Steel Top Tray from the Sliding Pack Frame.

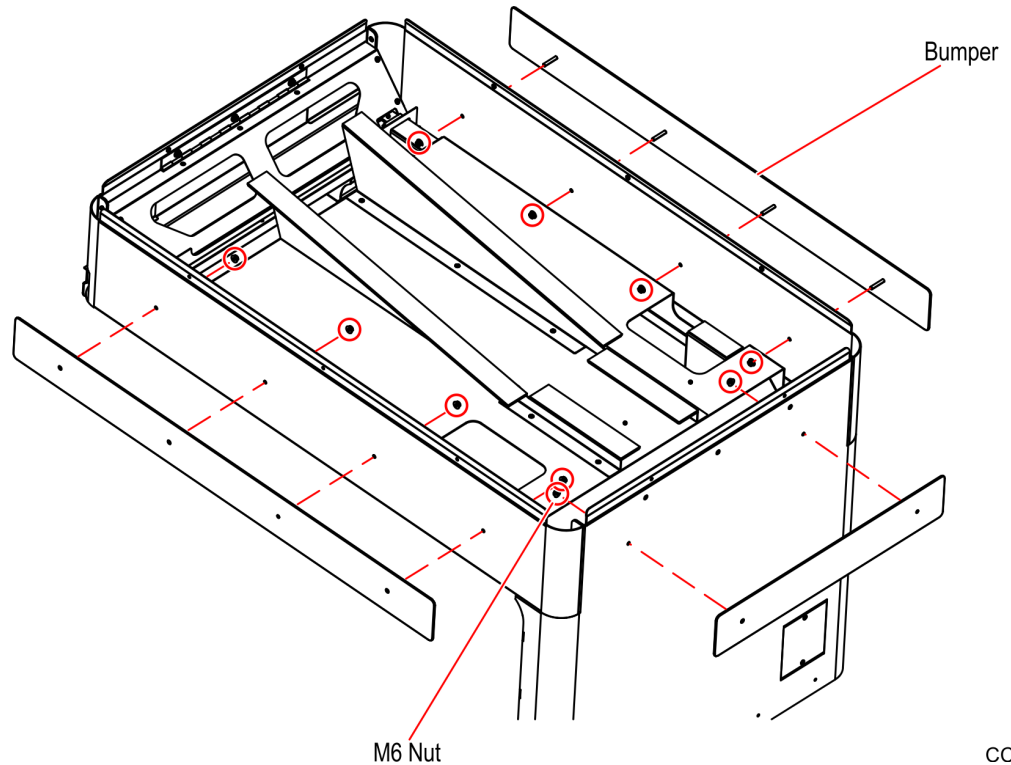


**Note:** The tray will be installed on the Sliding Pack frame after installing the bumpers.

# Install Bumpers

To install the Bumpers on the Sliding Pack, do the following:

1. Remove the Stainless Steel Top Tray from the Sliding Pack. For more information, refer to [Remove Stainless Steel Top Tray](#) on the previous page.
2. Install the three Bumpers on the Sliding Pack and secure using ten M6 nuts as shown in the image below.

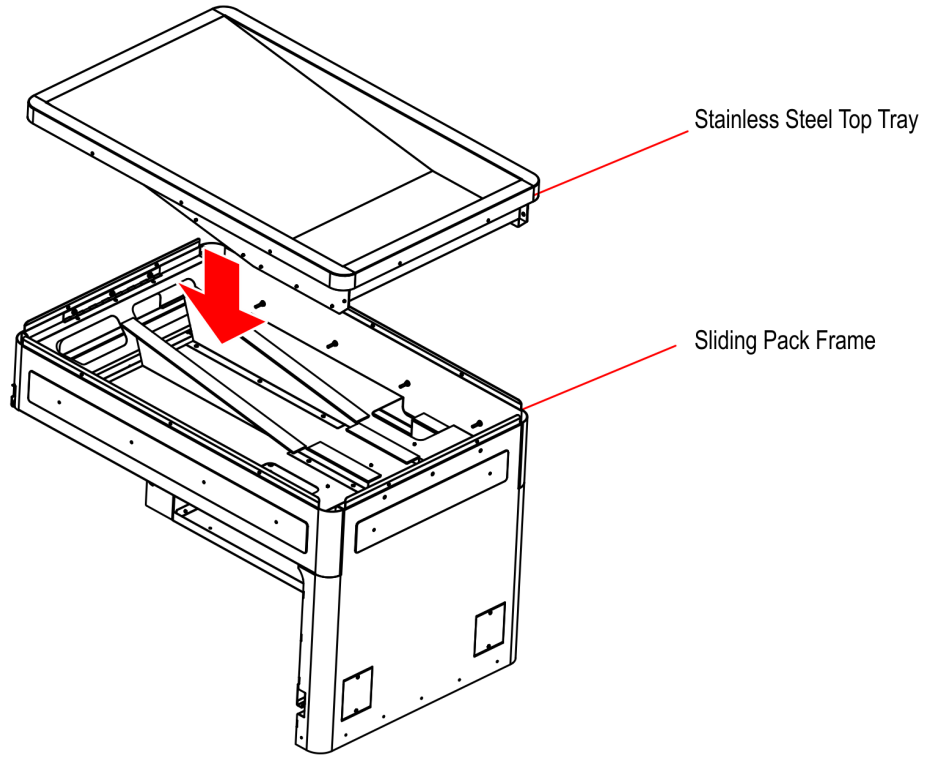


CCP-73036

# Install Stainless Steel Top Tray

To install the Stainless Steel Top Tray on the Sliding Pack, do the following.

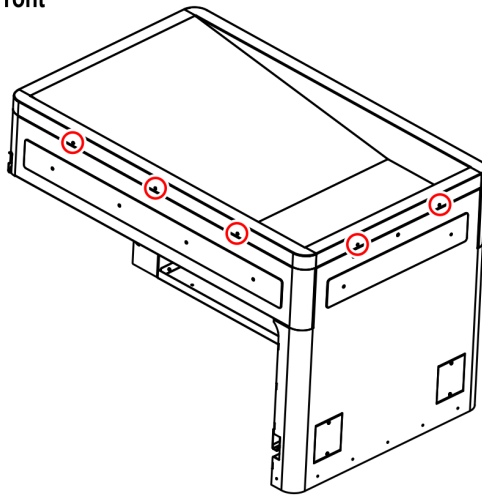
1. Install the Stainless Steel Top Tray on the Sliding Pack as shown in the image below.



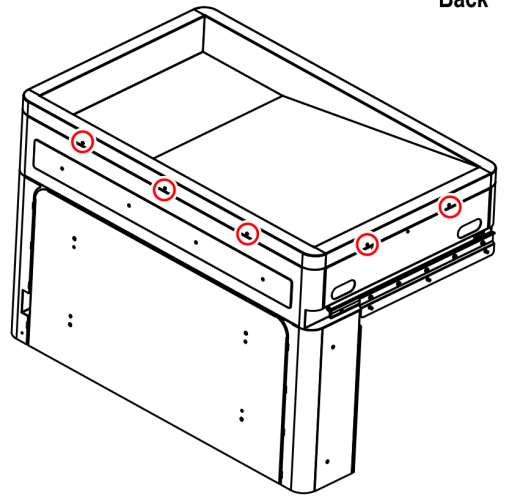
CCP-73038

2. Secure the Stainless Steel Top Tray using ten M4 screws.

Front



Back



CCP-73037