

# Kit Instructions

Sliding Pack Left Hand

7360-K780  
Issue A



---

The product described in this document is a licensed product of NCR Corporation.

NCR is a registered trademark of NCR Corporation. NCR FastLane SelfServ™ Checkout is a trademark of NCR Corporation in the United States and/or other countries. Other product names mentioned in this publication may be trademarks or registered trademarks of their respective companies and are hereby acknowledged.

The terms HDMI and HDMI High-Definition Multimedia Interface, and the HDMI Logo are trademarks or registered trademarks of HDMI Licensing LLC in the United States and other countries.

Where creation of derivative works, modifications or copies of this NCR copyrighted documentation is permitted under the terms and conditions of an agreement you have with NCR, NCR's copyright notice must be included.

It is the policy of NCR Corporation (NCR) to improve products as new technology, components, software, and firmware become available. NCR, therefore, reserves the right to change specifications without prior notice.

All features, functions, and operations described herein may not be marketed by NCR in all parts of the world. In some instances, photographs are of equipment prototypes. Therefore, before using this document, consult with your NCR representative or NCR office for information that is applicable and current.

To maintain the quality of our publications, we need your comments on the accuracy, clarity, organization, and value of this book. Please use the link below to send your comments.

*EMail:* [FD230036@ncr.com](mailto:FD230036@ncr.com)

Copyright © 2017  
By NCR Corporation  
Duluth, GA U.S.A.  
All Rights Reserved

### Revision Record

Issue	Date	Remarks
A	Nov 2017	First release.

---

# Sliding Pack Left Hand

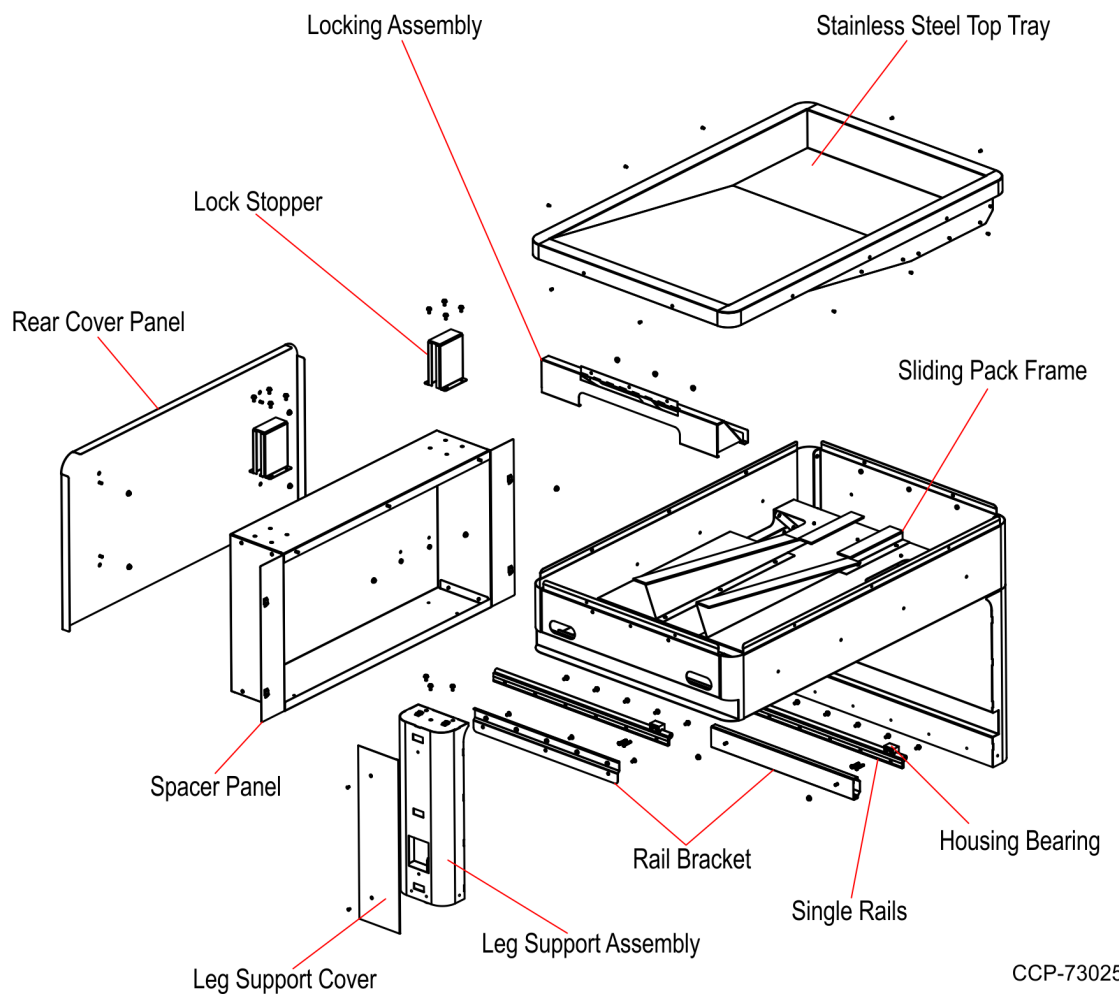
---

This kit contains sliding pack components for a 3-Bag bagwell module in an NCR FastLane SelfServ™ Checkout (7360) unit with a Left-hand orientation.



**Note:** The NCR FastLane SelfServ™ Checkout (7360) can be configured for either Left-hand or Right-hand orientations, which refer to the direction that customers scan and bag items. Customers scan from left to right on Left-hand systems, and from right to left on Right-hand systems.

## Kit Contents



# Installation Procedures

Installing the Sliding Pack involves the following procedures:

1. [Remove Scale Tray](#) on the facing page.
2. [Remove Rear Panel](#) on page 4.
3. [Install Sliding Pack Left Hand](#) on page 5.



**Note:** Before you begin, the leveling feet should set on the floor and must be leveled.

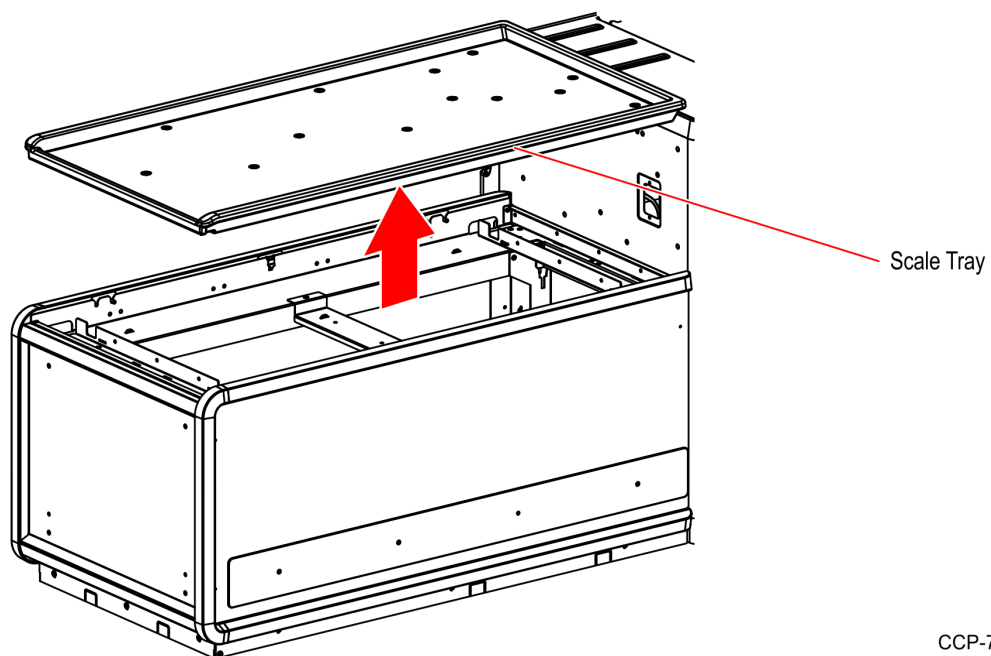
## Remove Scale Tray

To remove the Scale Tray, follow these steps:

1. Lift and remove the Scale Tray from the Bagwell.



**Note:** The Scale Tray will be installed on the Bagwell after installing the Sliding Pack.

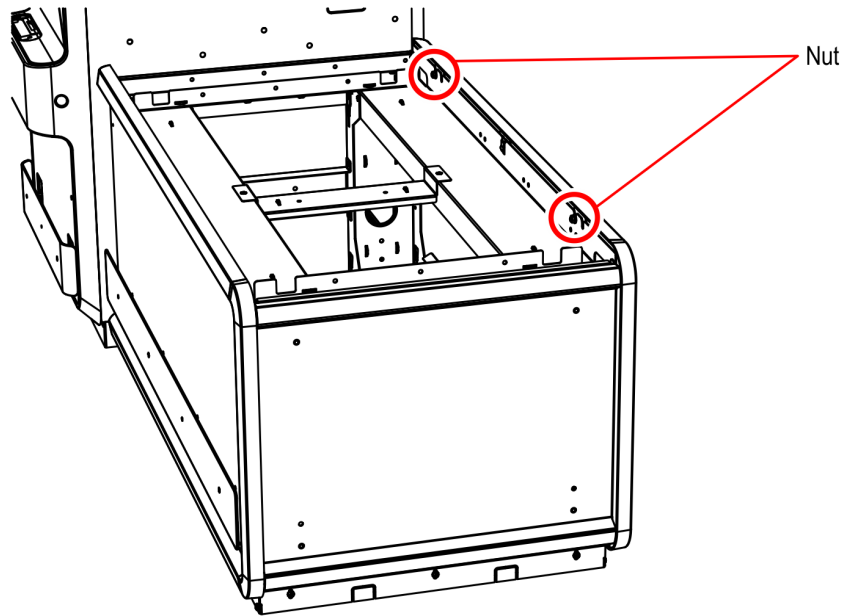


CCP-73004

## Remove Rear Panel

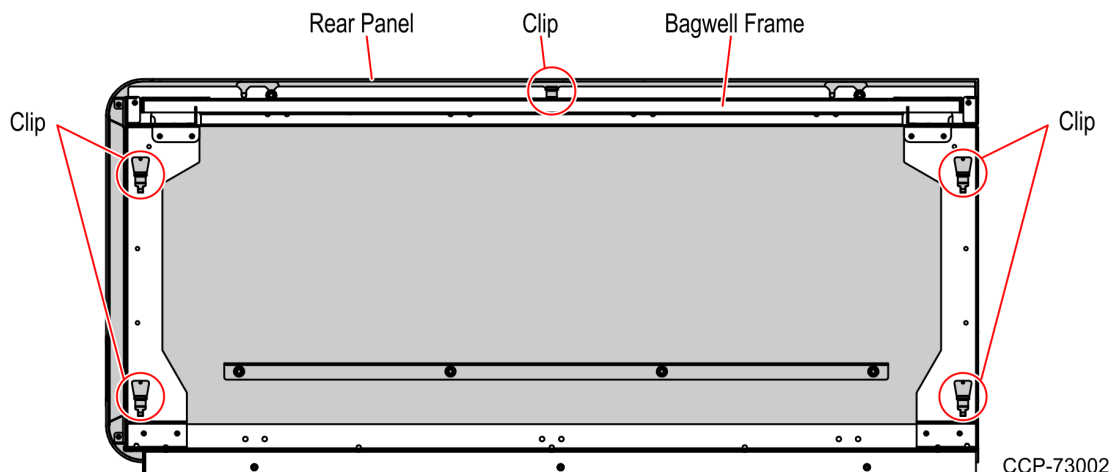
To remove the Rear Panel from the Bagwell, do the following:

1. Remove the Scale Tray from the Bagwell. For more information, refer to [Remove Scale Tray](#) on the previous page.
2. Remove nuts securing the rear panel to the Bagwell Frame.



CCP-73003

3. Remove the rear panel by pulling it up until it unclips from the Bagwell Frame.



CCP-73002

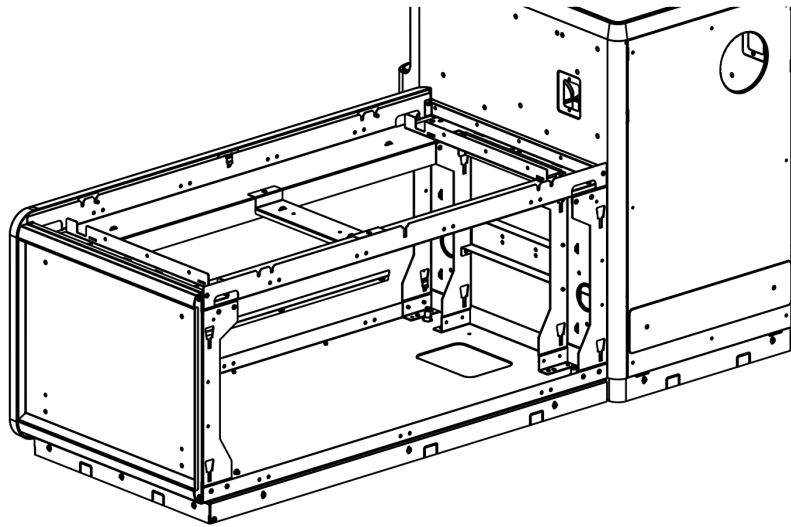
# Install Sliding Pack Left Hand

To install the Sliding Pack, do the following:

1. Remove the Scale Tray from the Bagwell. For more information, refer to [Remove Scale Tray](#) on page 3.
2. Remove the Rear Panel from the Bagwell. For more information, refer to [Remove Rear Panel](#) on the previous page.

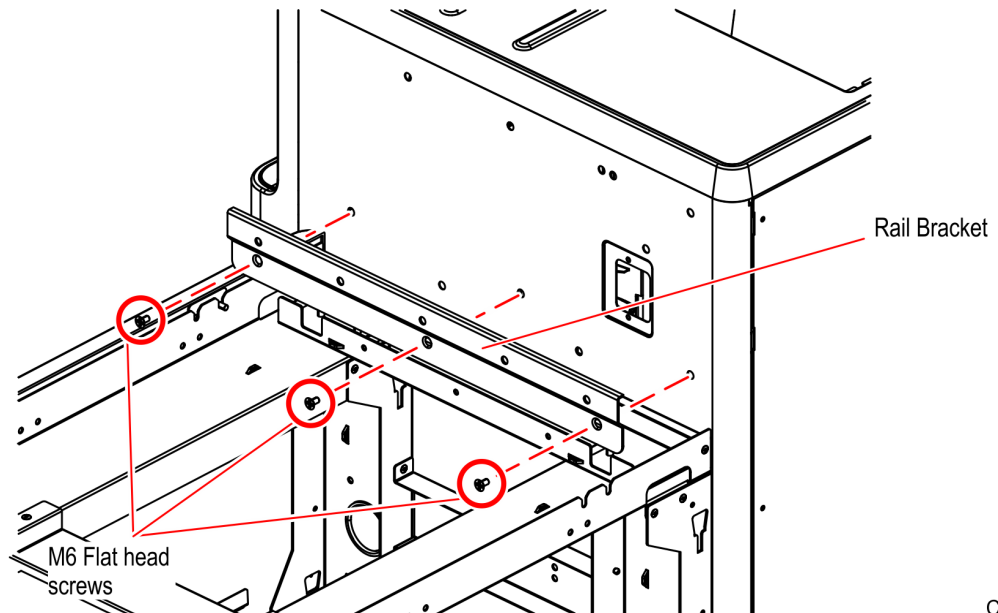


**Note:** The image below shows that the Scale Tray and Rear Panel has been removed from the Bagwell.



CCP-73008

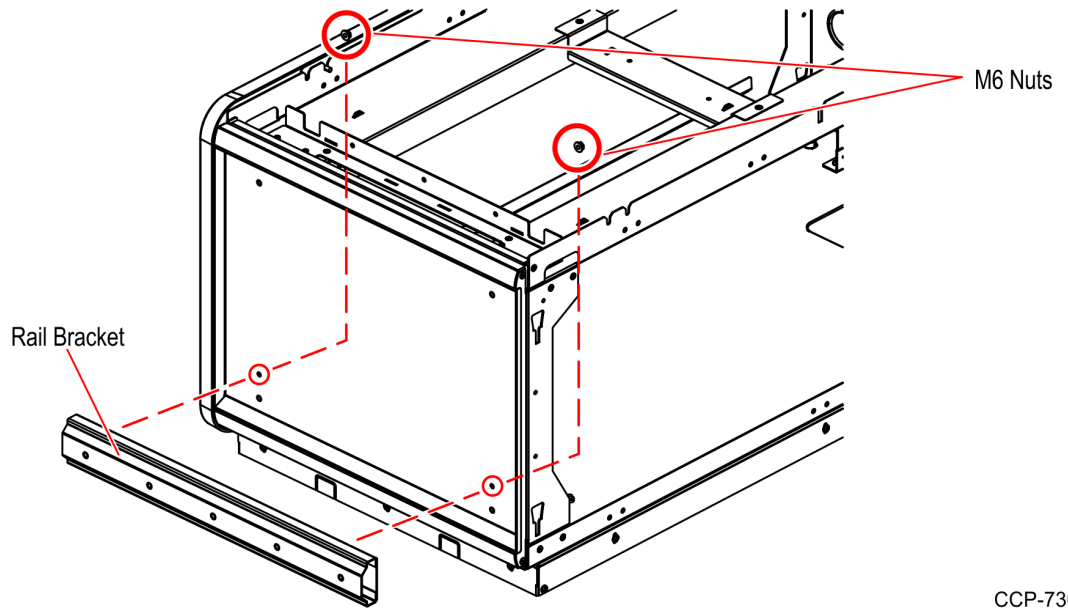
3. Install rail bracket on the core side and secure it with three M6 flat head screws.



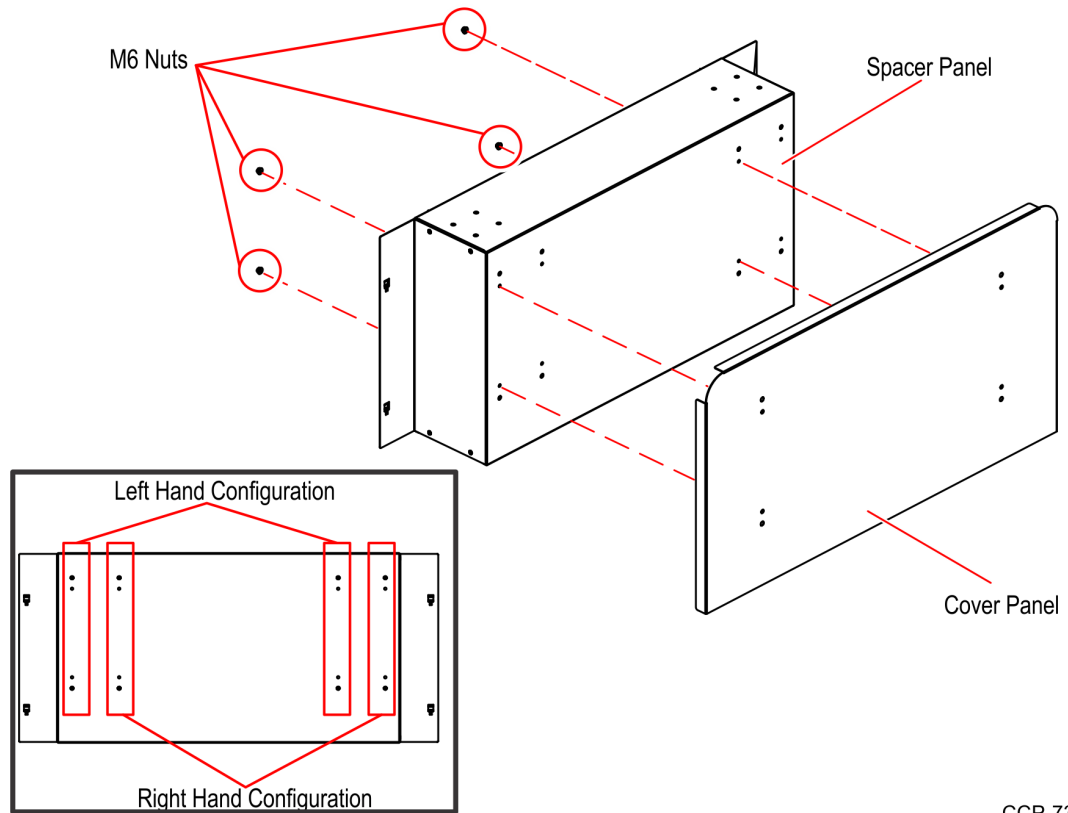
CCP-73005



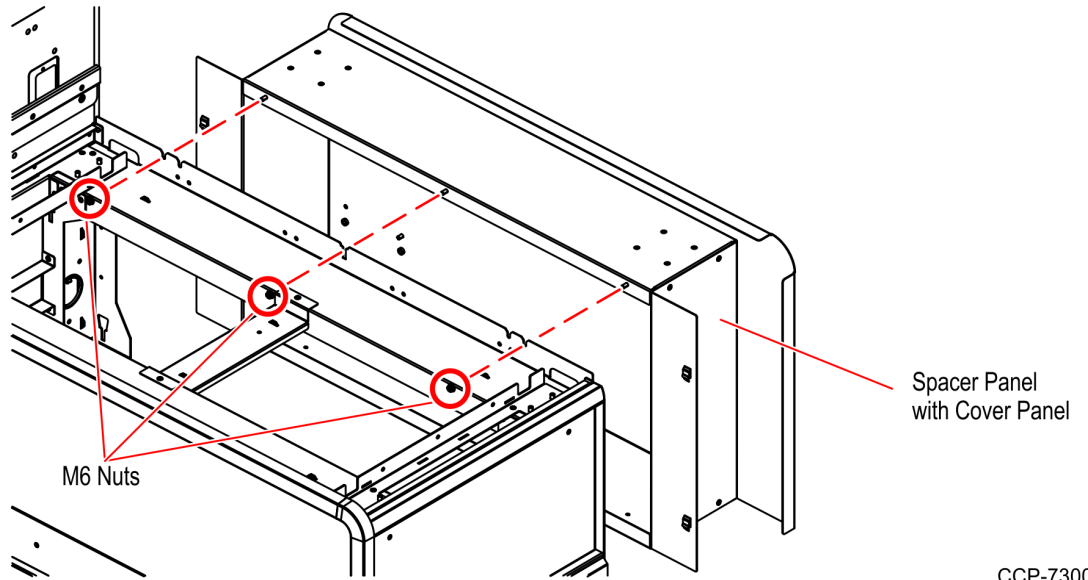
4. Install rail bracket into the side of the bagwell and secure it with two M6 nuts.



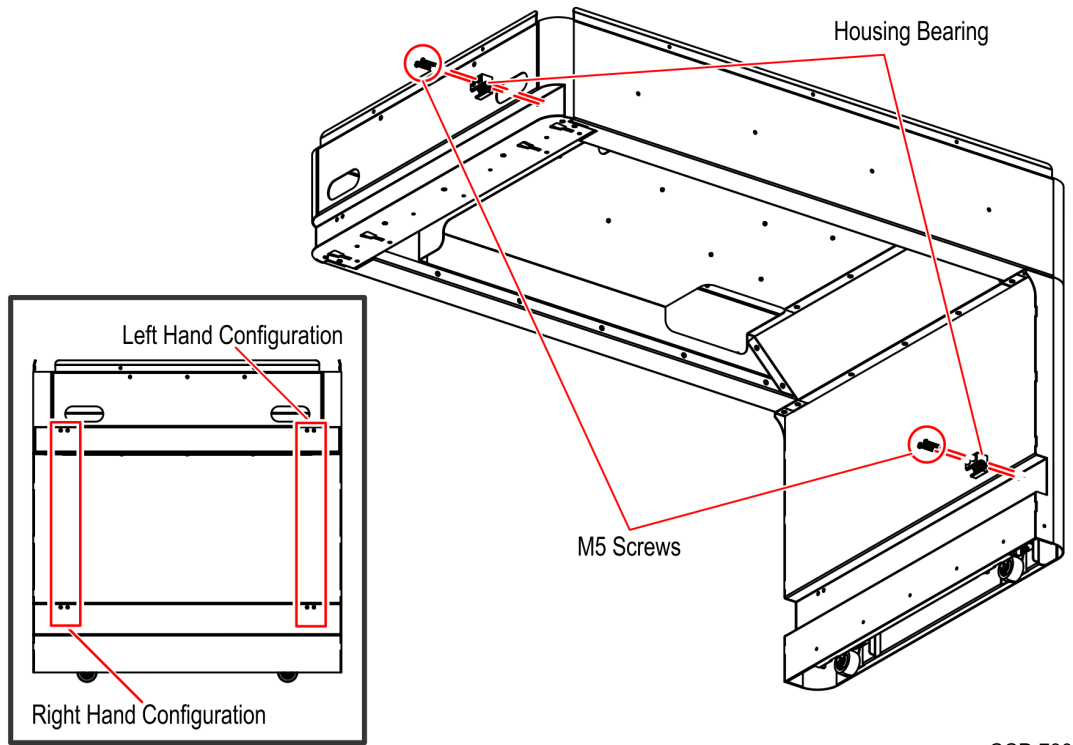
5. Install the rear cover panel into the spacer panel and secure it with four M6 nuts.



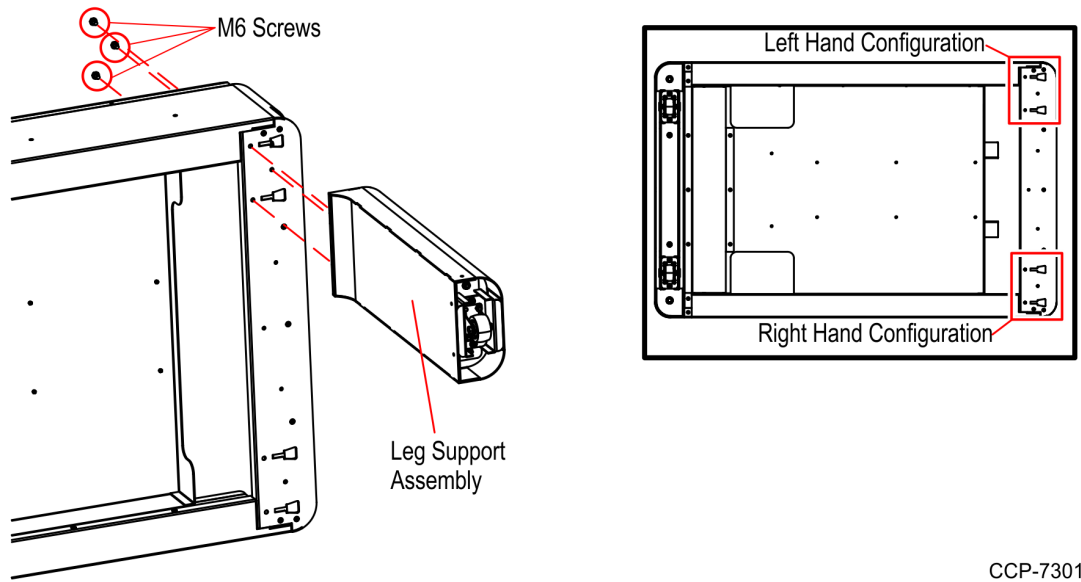
6. Install the spacer panel with cover panel to the rear side of the bagwell and secure it with three M6 nuts.



7. Install the two housing bearing as shown in the image below and secure it with two M5 screws on each housing bearing.

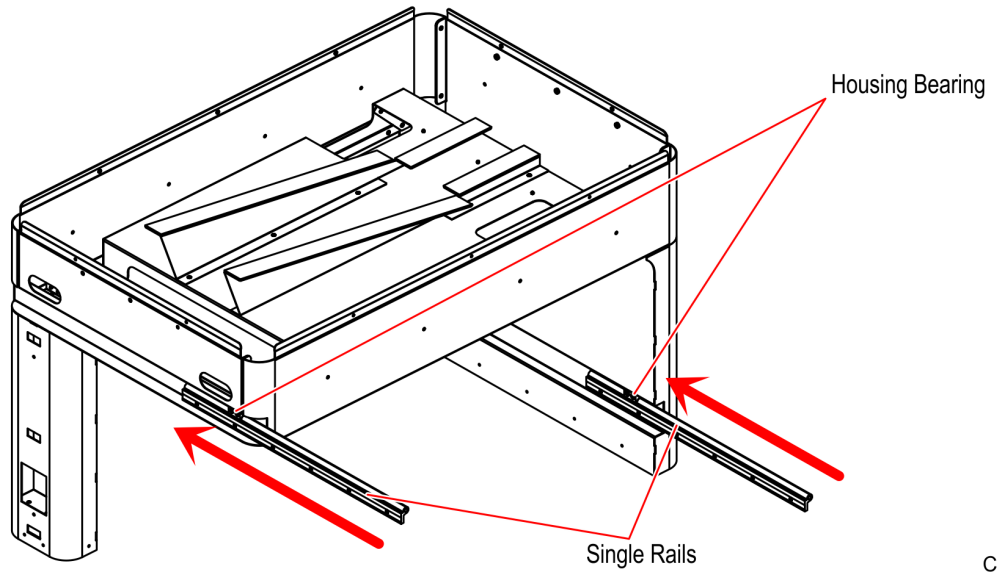


8. Attach the leg support assembly and secure it with three M6 screws.



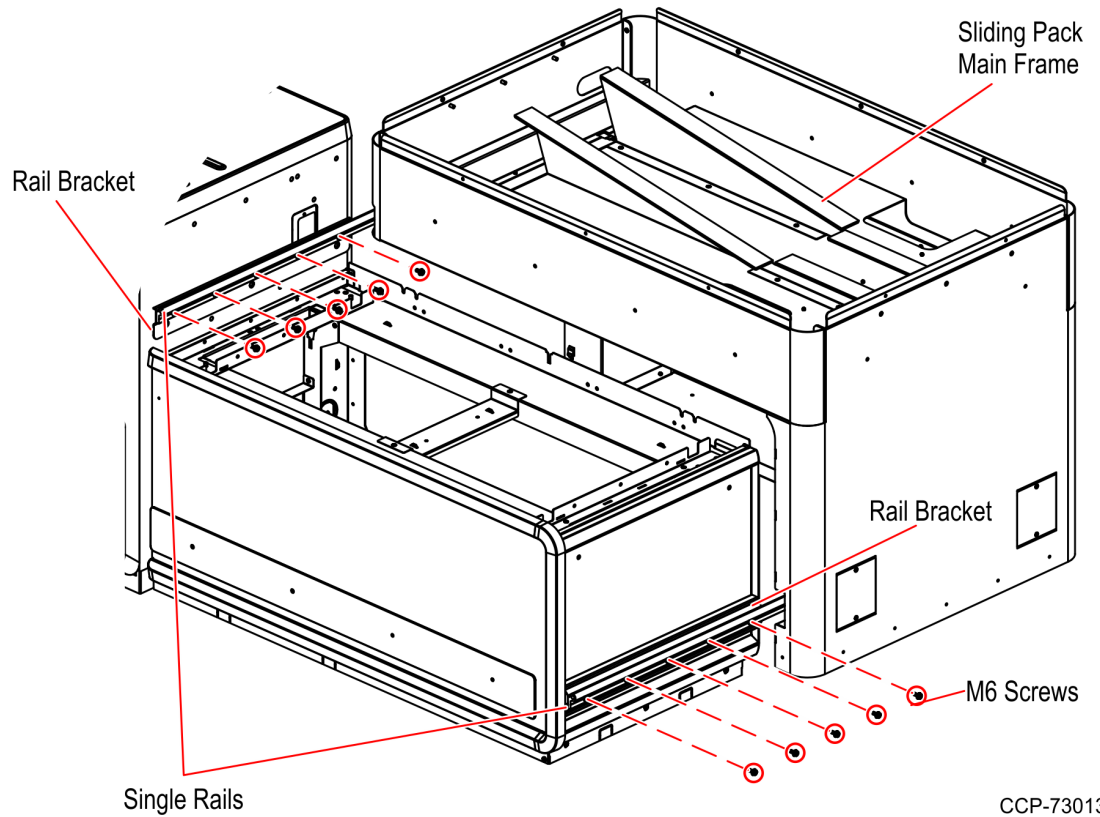
CCP-73011

9. Slide in the two single rails into the housing bearing as shown in the image below.

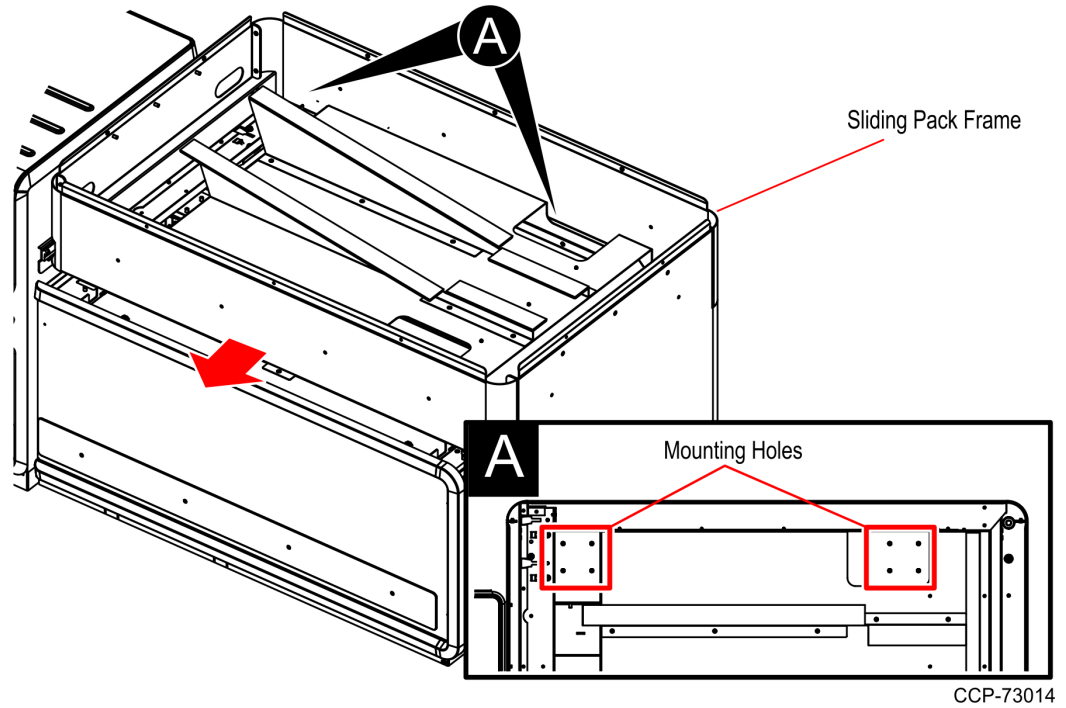


CCP-73012

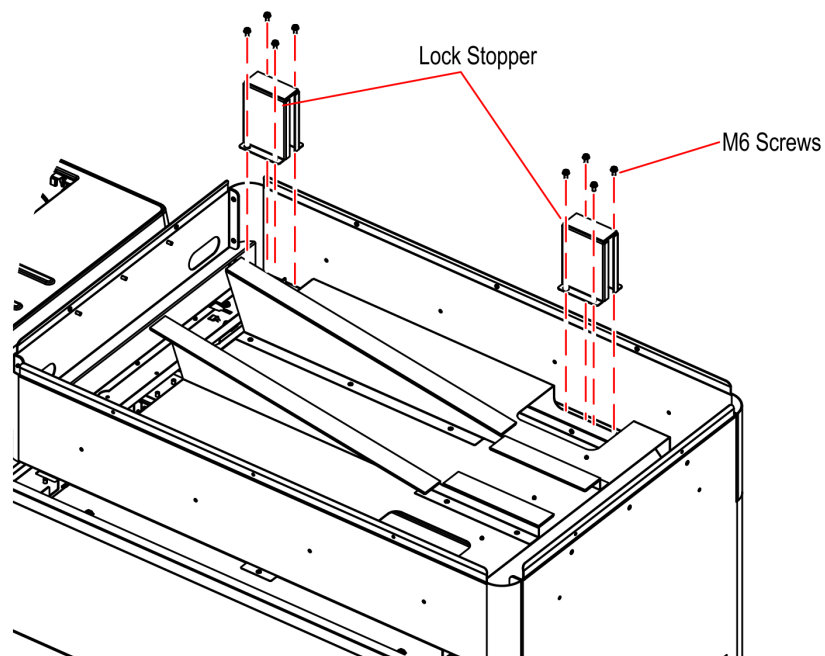
10. Align the Sliding Pack main frame with the Bagwell.
11. Extend the two rails from the Sliding Pack and align the holes with the mounting holes of the rail bracket and then secure with five M6 screws on each rail.



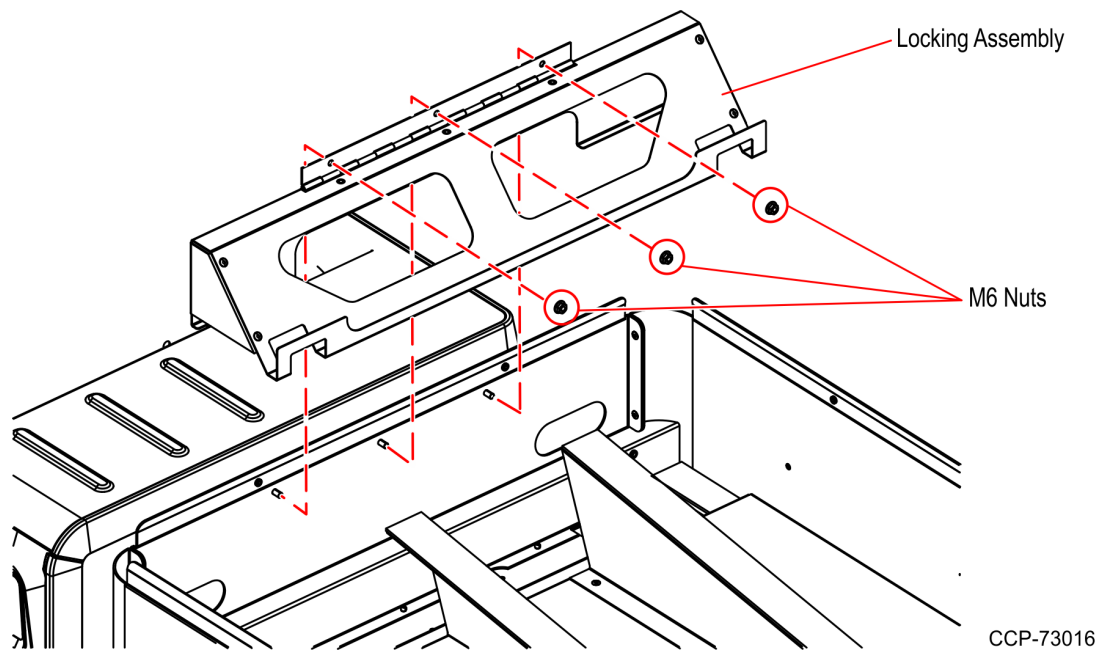
12. Install the lock stopper into the spacer panel doing the following.
  - a. Slide the sliding pack frame until the mounting holes in the spacer panel show up.



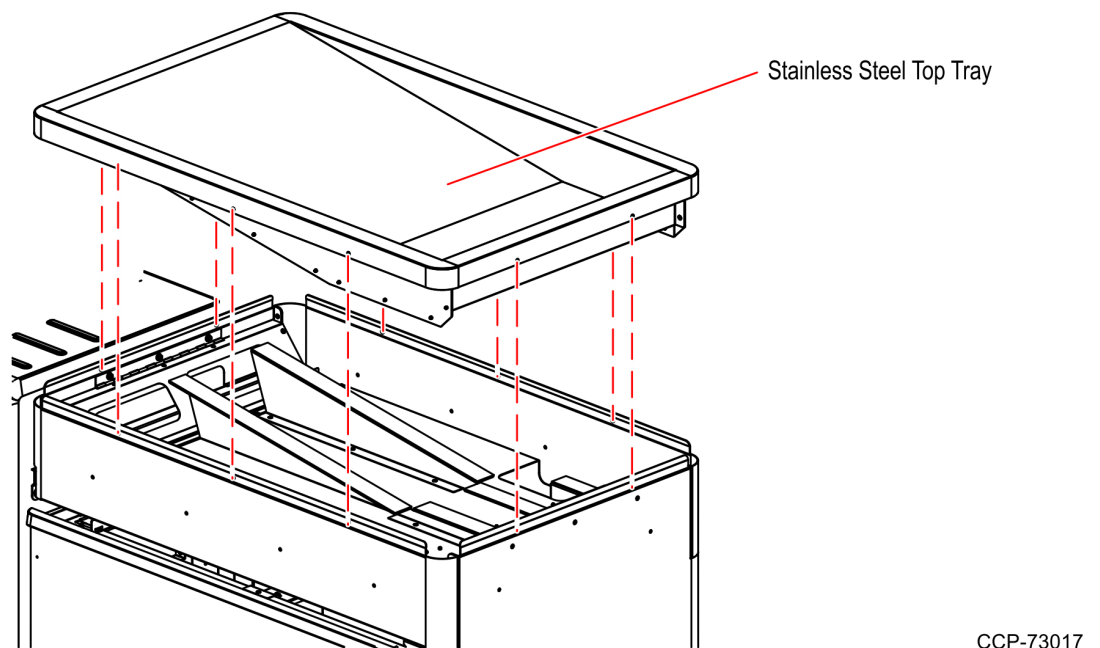
- b. Install the lock stopper into the spacer and secure each stopper with four M6 screws.



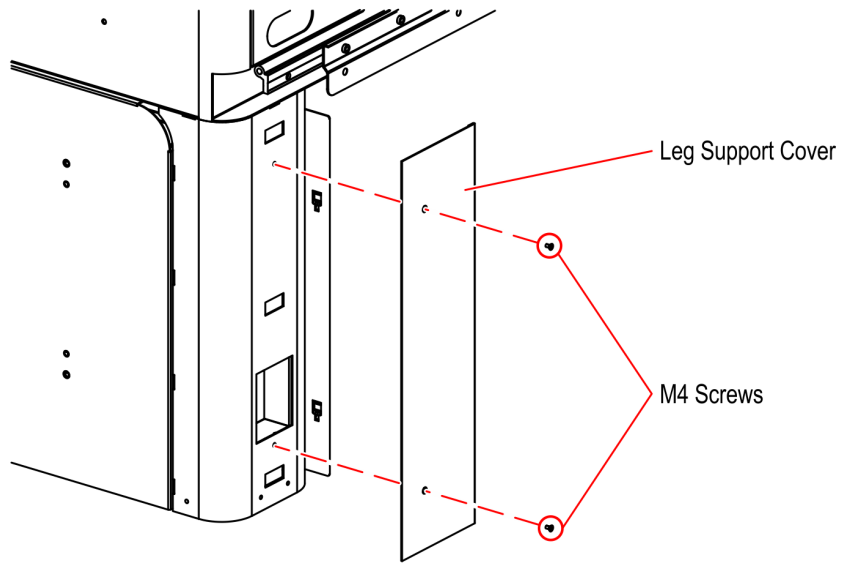
13. Install the locking assembly on the main frame and secure it with three M6 nuts.



14. Install the stainless steel top tray on the main frame and secure with ten M4 screws.

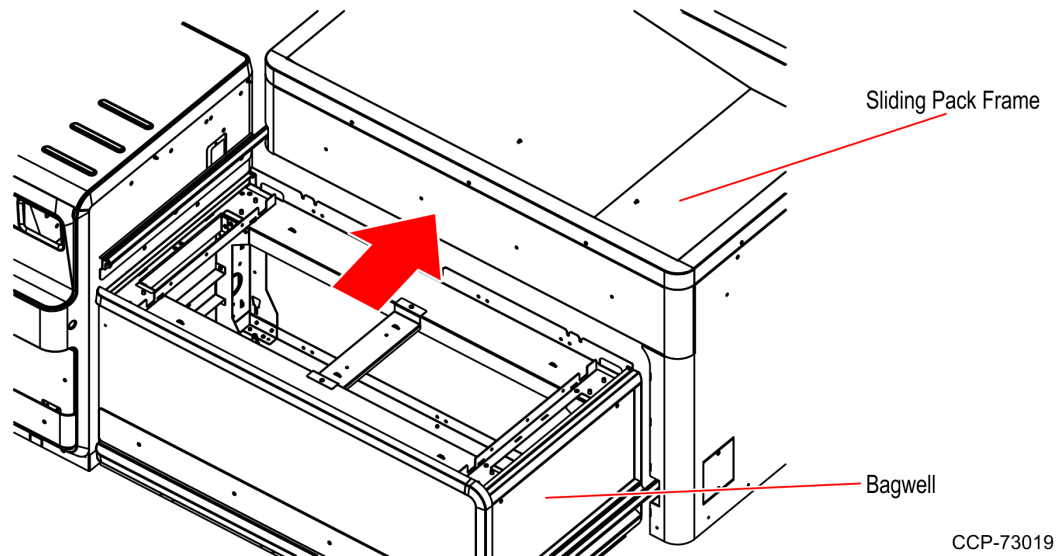


15. Install the leg support cover and secure it with M4 screws.



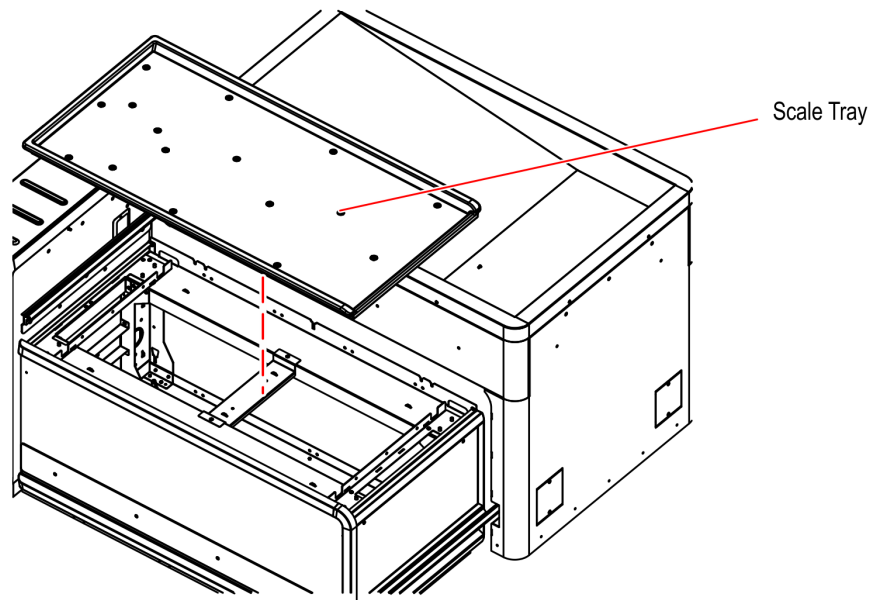
CCP-73018

16. Install the scale tray to the bagwell by doing the following.
  - a. Slide the sliding pack frame until the top bagwell shows.



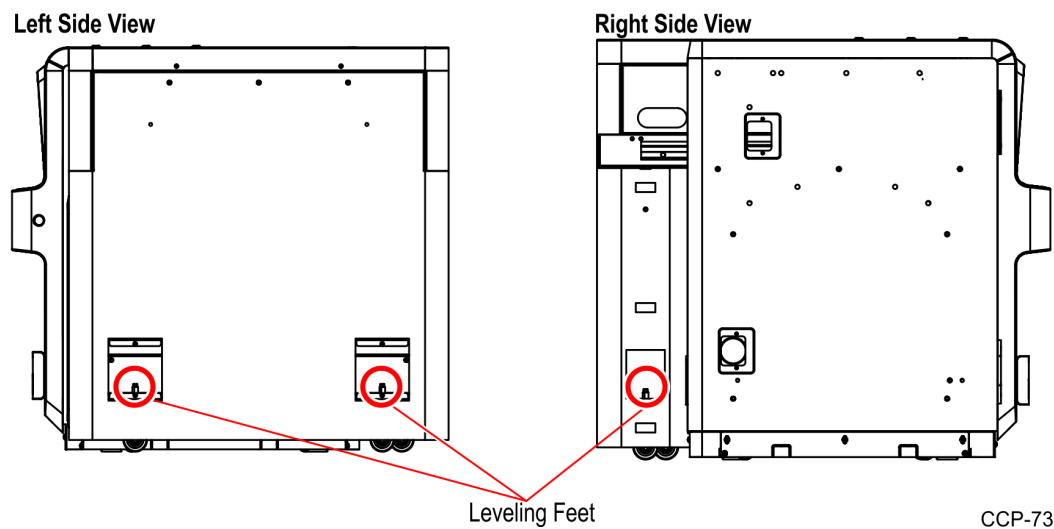
CCP-73019

- b. Install the scale tray on the bagwell.



CCP-73020

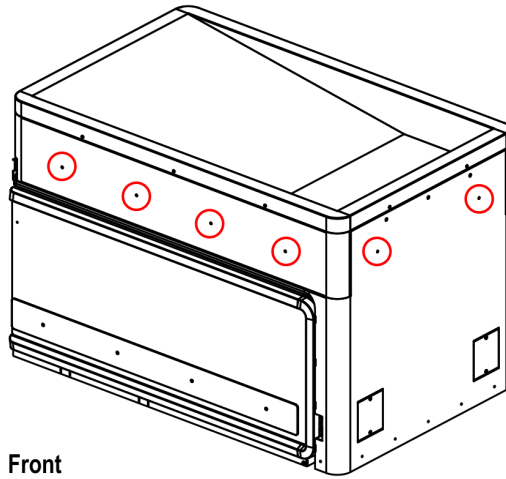
17. Adjust the leveling feet of the sliding pack by aligning the rail with the housing bearing. Ensure that the rail slides smoothly in the housing bearing.



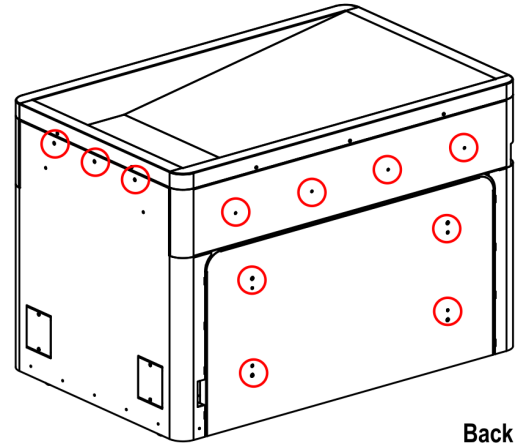
CCP-73021



18. Cover all holes using hole cover labels..



Front



Back

CCP-73022