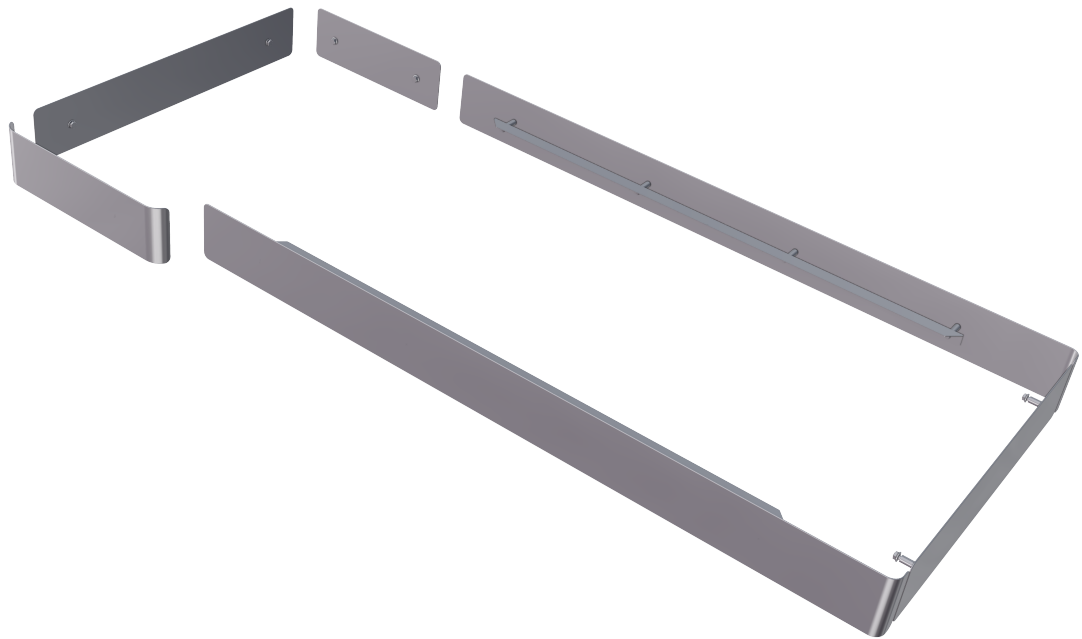


# Kit Instructions

## 3-Bag Lower Bumper (Narrow Core)



7360-K607  
Issue A



The product described in this document is a licensed product of NCR Corporation.

NCR is a registered trademark of NCR Corporation. NCR FastLane SelfServ™ Checkout is a trademark of NCR Corporation in the United States and/or other countries. Other product names mentioned in this publication may be trademarks or registered trademarks of their respective companies and are hereby acknowledged.

The terms HDMI and HDMI High-Definition Multimedia Interface, and the HDMI Logo are trademarks or registered trademarks of HDMI Licensing LLC in the United States and other countries.

Where creation of derivative works, modifications or copies of this NCR copyrighted documentation is permitted under the terms and conditions of an agreement you have with NCR, NCR's copyright notice must be included.

It is the policy of NCR Corporation (NCR) to improve products as new technology, components, software, and firmware become available. NCR, therefore, reserves the right to change specifications without prior notice.

All features, functions, and operations described herein may not be marketed by NCR in all parts of the world. In some instances, photographs are of equipment prototypes. Software screen images are representative, and in some cases, may not match a customer's installed software exactly. Therefore, before using this document, consult with your NCR representative or NCR office for information that is applicable and current.

To maintain the quality of our publications, we need your comments on the accuracy, clarity, organization, and value of this book. Please use the link below to send your comments.

Email: [FD230036@ncr.com](mailto:FD230036@ncr.com)

Copyright © 2021  
By NCR Corporation  
864 Spring St. NW  
Atlanta, GA 30308  
United States  
All Rights Reserved

---

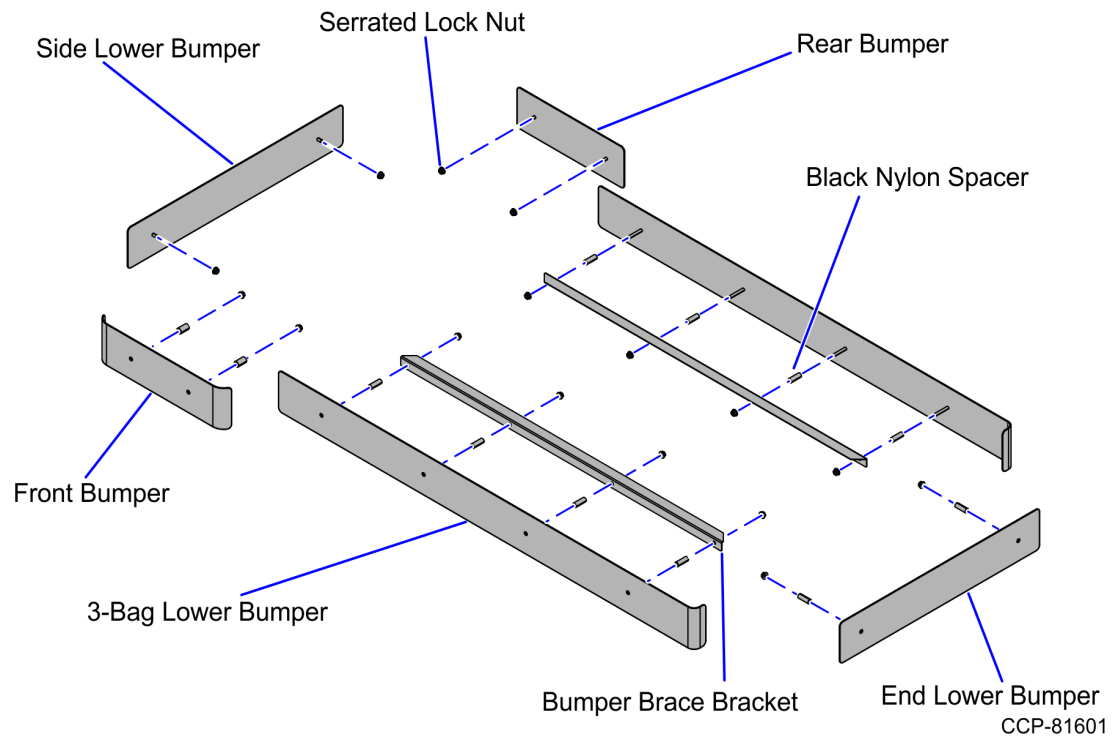
## Revision Record

Issue	Date	Remarks
A	Aug 2021	First Issue

# Lower Bumper Kit (Narrow Core) 3-Bag Unit

This publication provides procedures for installing a 3-Bag Bumper to the NCR FastLane SelfServ™ Checkout 7360.

## Kit Contents



Part Number	Description
497-0531053	7360-K607 Lower Bumper Kit (Narrow Core) 3-Bag Unit
009-0007088	Serrated Lock Nut (16 pcs)
497-0519709	Lower-3-Bag Bagwell Bumper (2 pcs)
497-0519707	Lower-End Bumper
497-0519703	Lower-Side Bumper
497-0506263	Black Nylon Spacer 12.7mm x 6.6mm x 22.23mm (3 pcs)
497-0506284	3-Bag Bumper Brace Bracket (2 pcs)
497-0520281	Narrow Core Front Bumper

---

Part Number	Description
497-0520282	Narrow Core Rear Bumper
497-0517634	Black Nylon Spacer 12.7mm x 6.6mm x 28.0mm (6 pcs)
* 497-0423108	Instructions Kit (Reference Sheet)

\* Items marked with an asterisk are not called out on the image.

## Installation Procedures

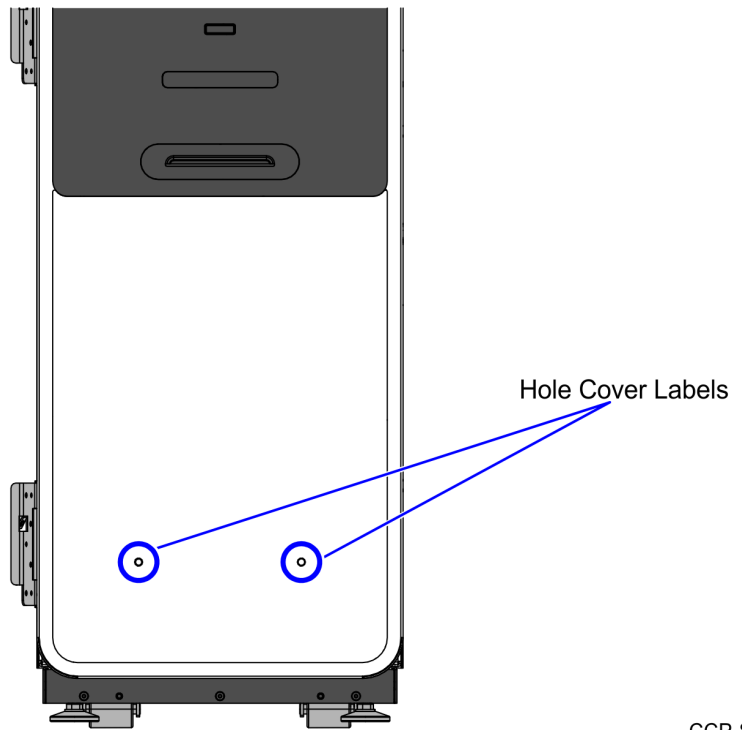
Installing Lower Bumpers on a 3-Bag Bagwell unit involves the following procedures:

- [Installing Lower Bumper on Core Door](#) on the next page.
- [Installing Lower Bumpers on Core Cabinet](#) on page 6.
- [Installing Lower Bumper on 3-Bag Bagwell](#) on page 7.

## Installing Lower Bumper on Core Door

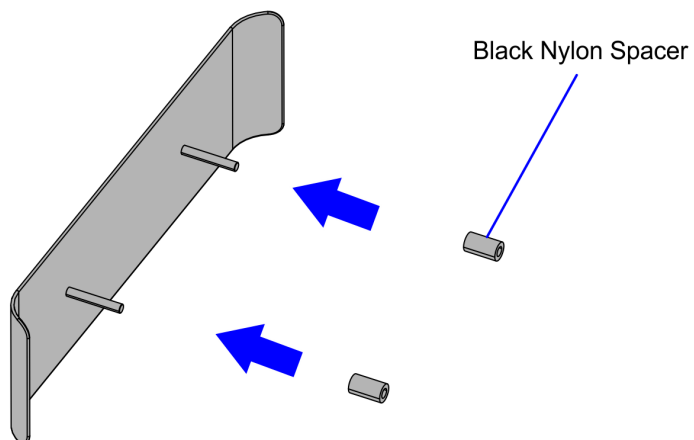
To install the Lower Bumper on the Core Door, follow these steps:

1. Open the Core Door.
2. Remove Cover Hole Labels from the Core Door.



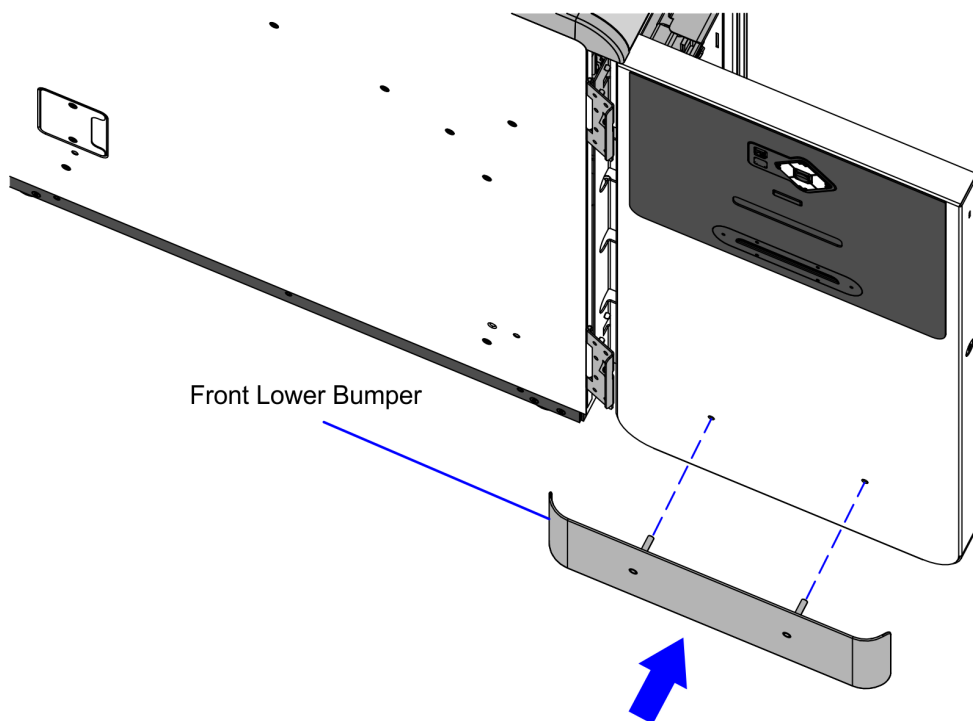
CCP-80359

3. Insert two (2) Nylon Spacers to the Front Bumper studs.



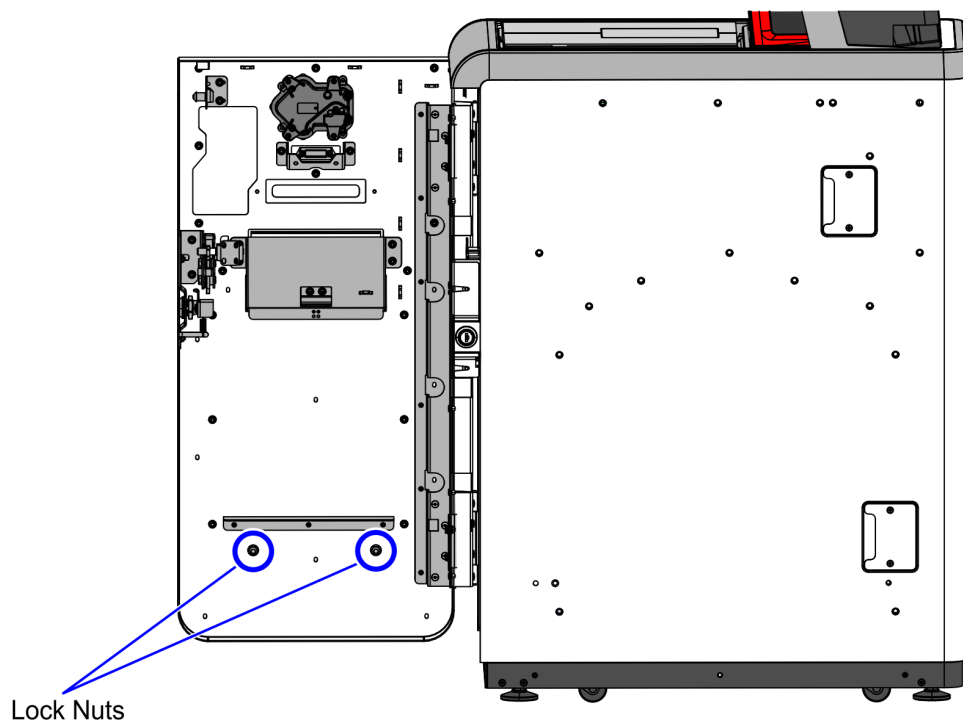
CCP-80360

4. Attach the Front Bumper to the unit by inserting the bumper studs into the holes on the Core Door.



CCP-80361

5. Behind the Core Door, secure the Front Bumper using the two (2) Lock Nuts.



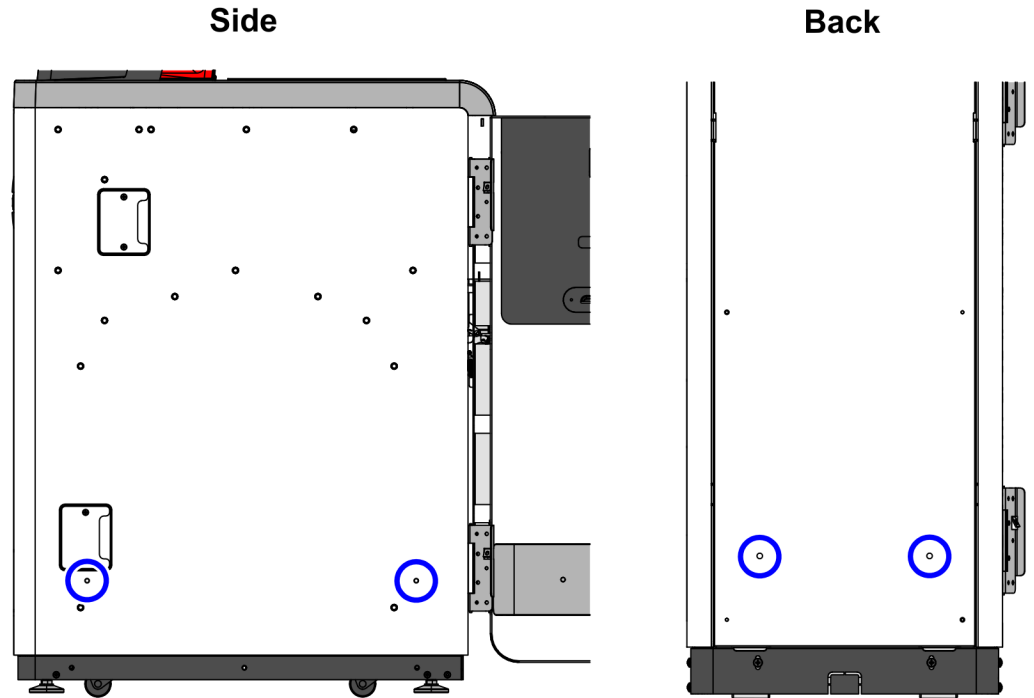
CCP-80362



## Installing Lower Bumpers on Core Cabinet

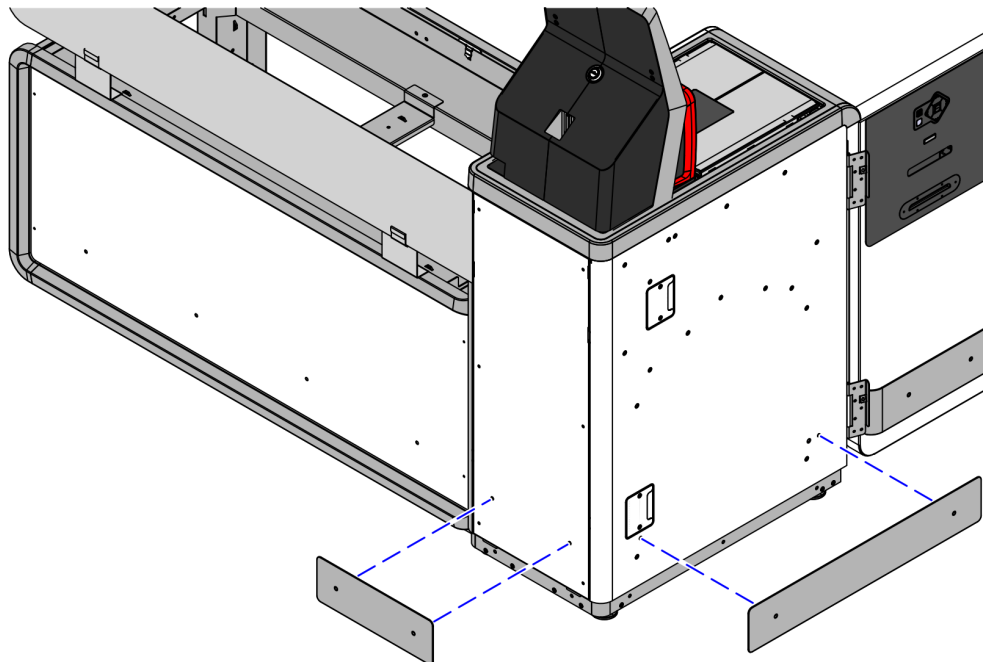
To install the Lower Bumpers on the Core Cabinet, follow these steps:

1. Remove the Hole Cover Labels from the Side and Back Panels.



CCP-80363

2. Secure the Side and Rear Lower Bumpers using the four (4) lock nuts, as shown in the image below.

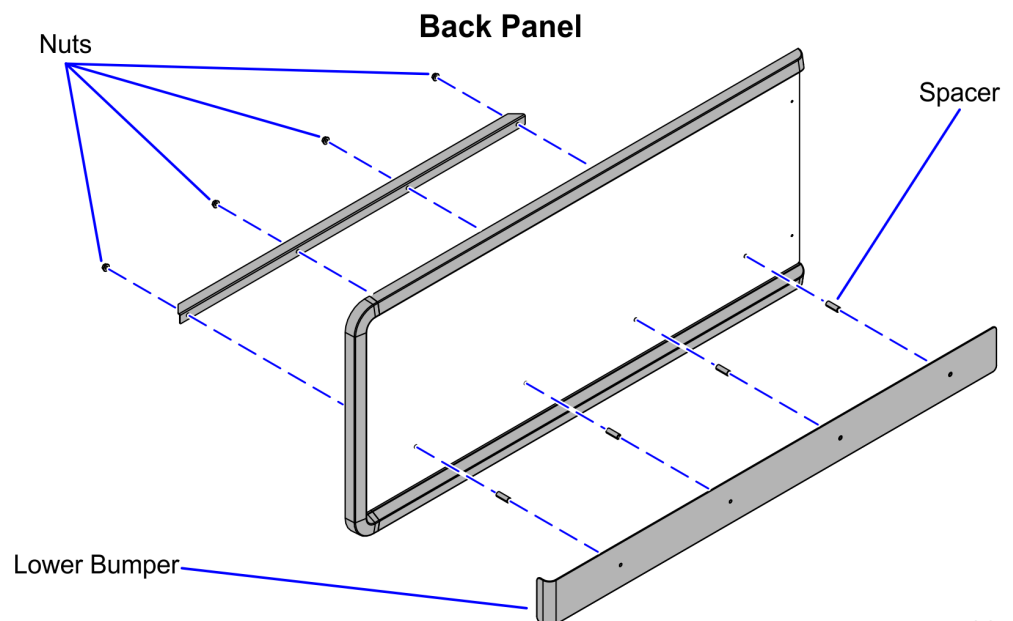
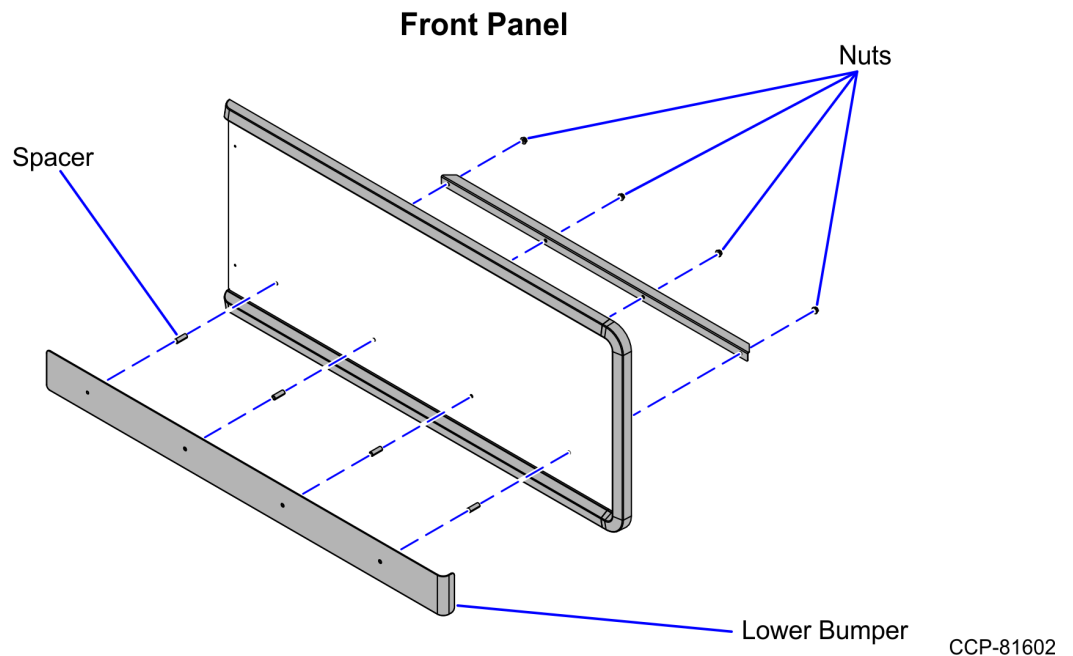


CCP-81605

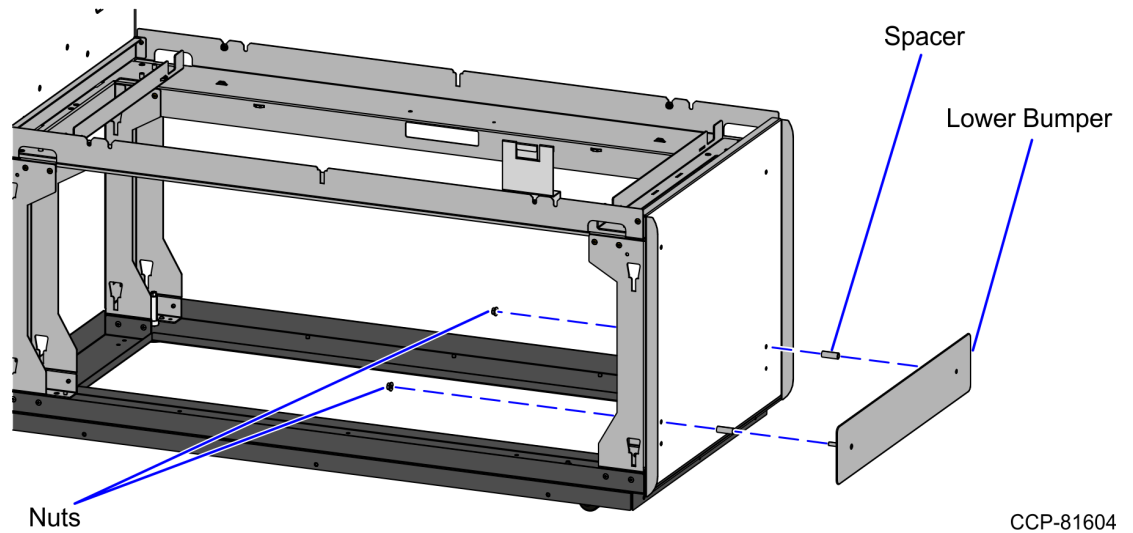
## Installing Lower Bumper on 3-Bag Bagwell

To install the Lower Bumpers on a 3-Bag Bagwell, follow these steps:

1. Remove the Back and Front Panels of the Bagwell Frame. For more information, refer to [Removing Back and Front Panels from 3-Bag Bagwell Frame](#) on page 9.
2. Remove Hole Cover Labels located on the lower area of the Panels. These Labels correspond to Bumper studs.
3. Attach the Lower Bumper to the Side Panel by aligning the Bumper studs with the corresponding Panel holes and securing it using two (2) lock nuts, as shown in the image below.



4. Attach the Lower Bumper to the Side Panel by aligning the Bumper studs with the corresponding Panel holes and securing it using two (2) lock nuts, as shown in the image below.

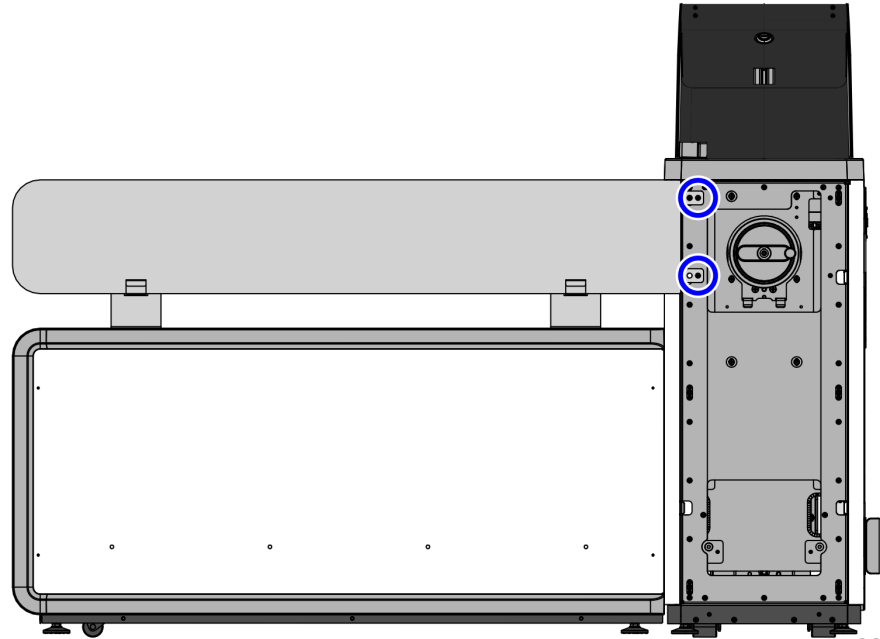


CCP-81604

## Removing Back and Front Panels from 3-Bag Bagwell Frame

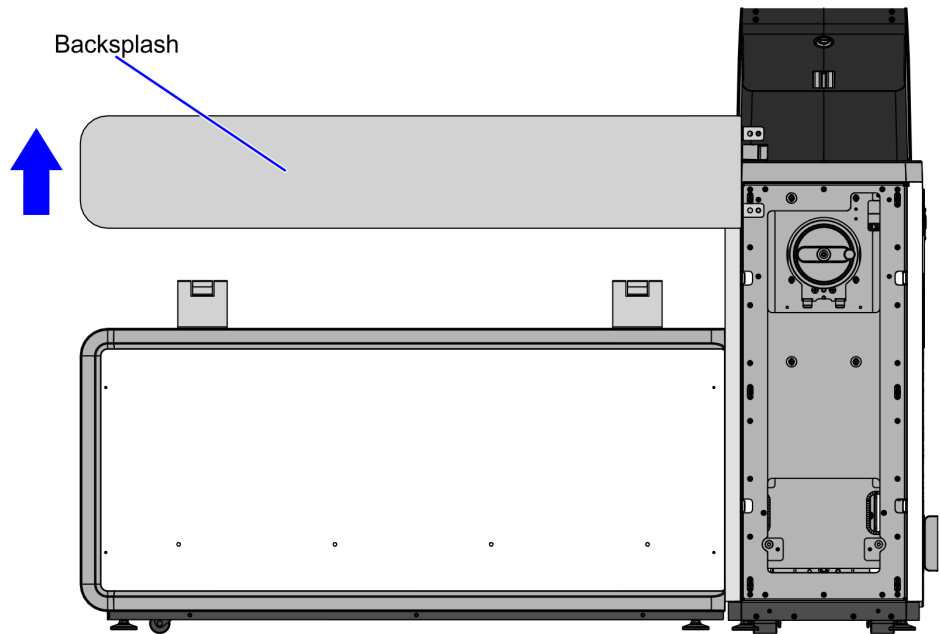
To remove the Back and Front Panels from the Bagwell Frame, follow these steps:

1. Remove the Scale Tray.
2. Remove the Backsplash by doing the following:
  - a. Remove the two (2) screws securing the Backsplash to the Core Frame.



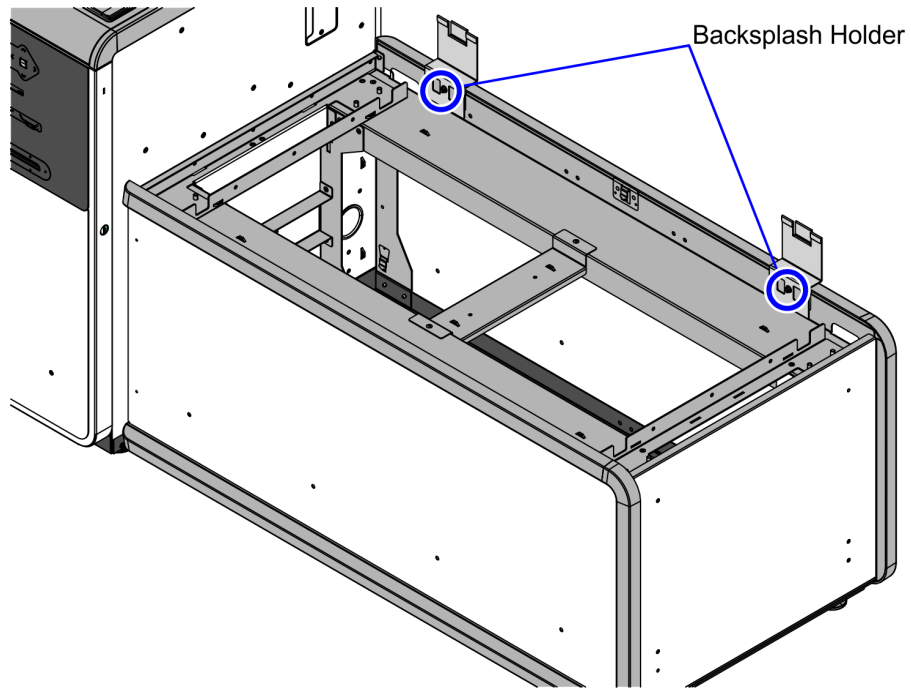
CCP-81606

- b. Lift the Backsplash away from the Bagwell module.



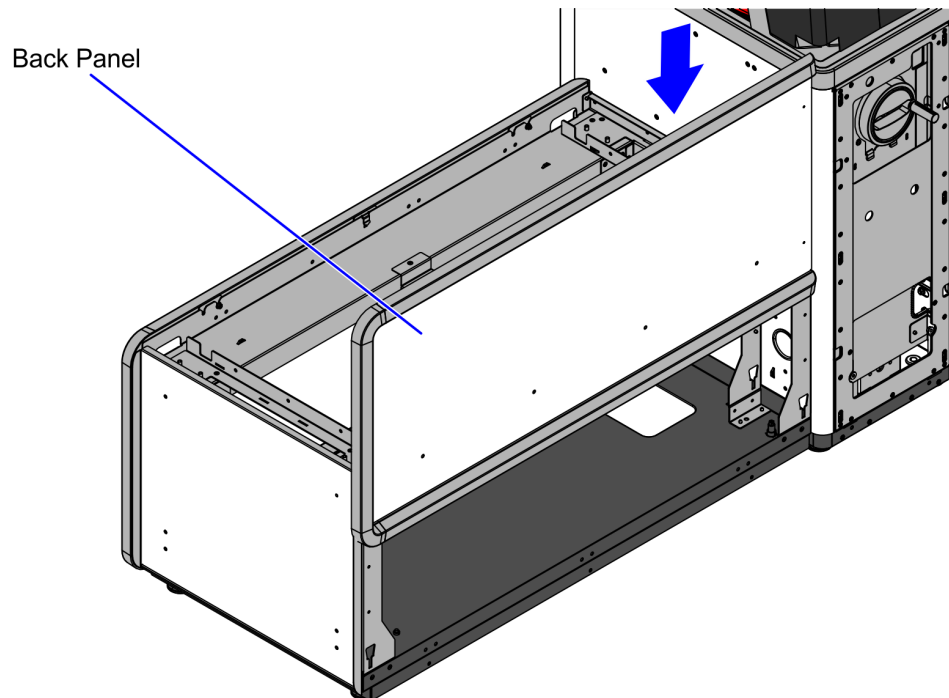
CCP-81607

3. Remove the Backsplash Holders by removing the two (2) nuts that secure the holders to the Bagwell Frame.



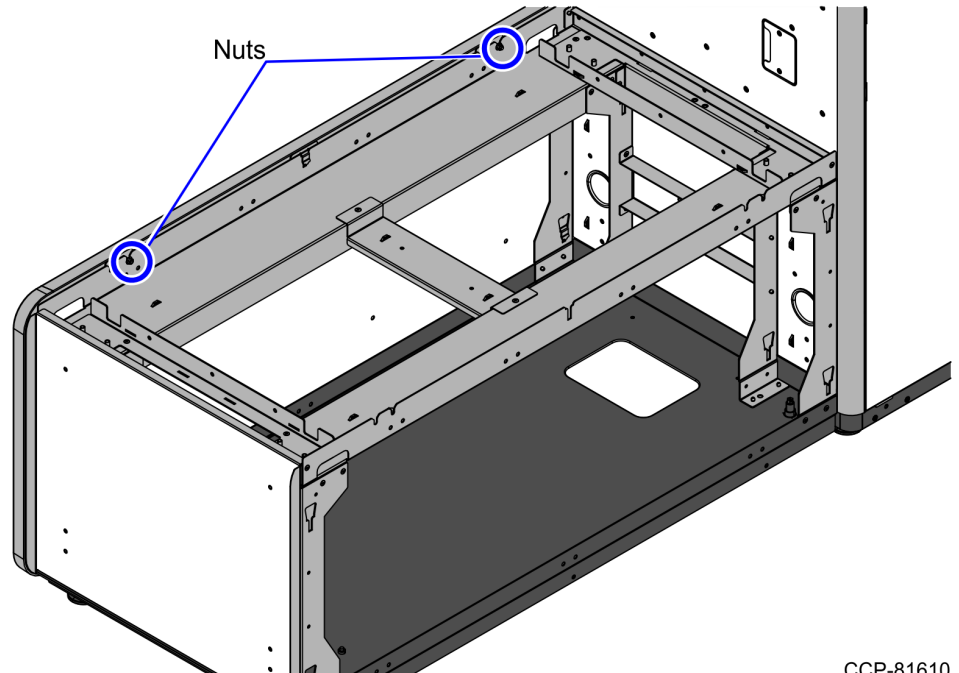
CCP-81608

4. Lift the Back Panel away from the Bagwell Frame.

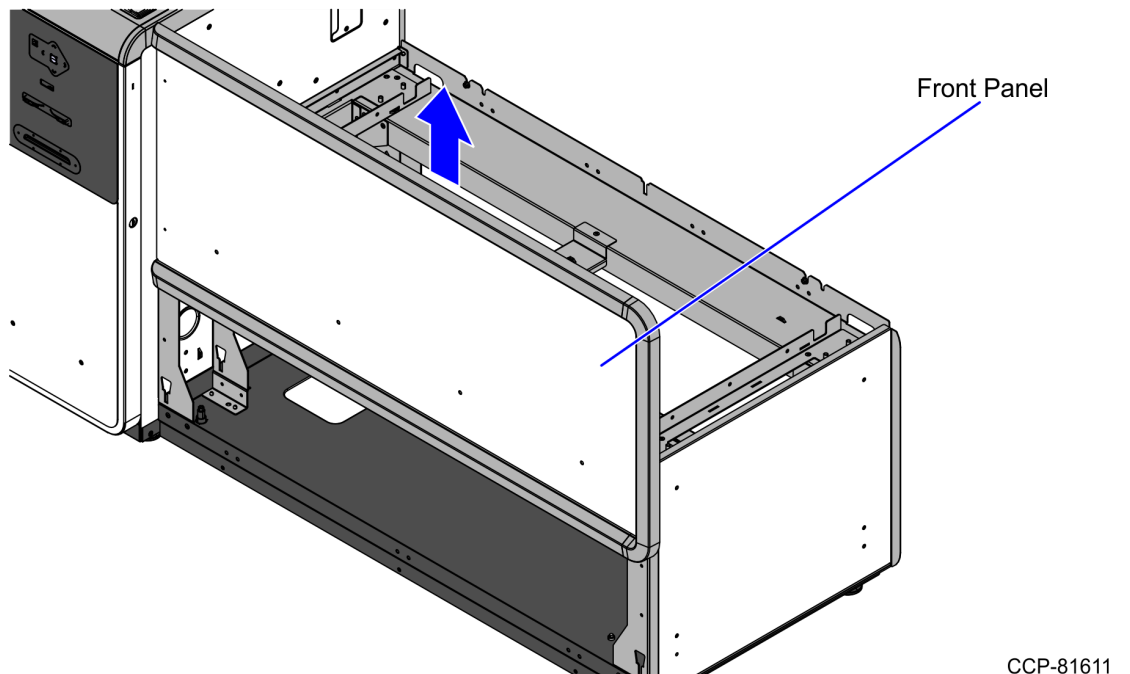


CCP-81609

5. Loosen two (2) nuts securing the Front Panel to the Bagwell Frame to disengage the Panel from the open slot.



6. Lift the Front Panel away from the Bagwell Frame.

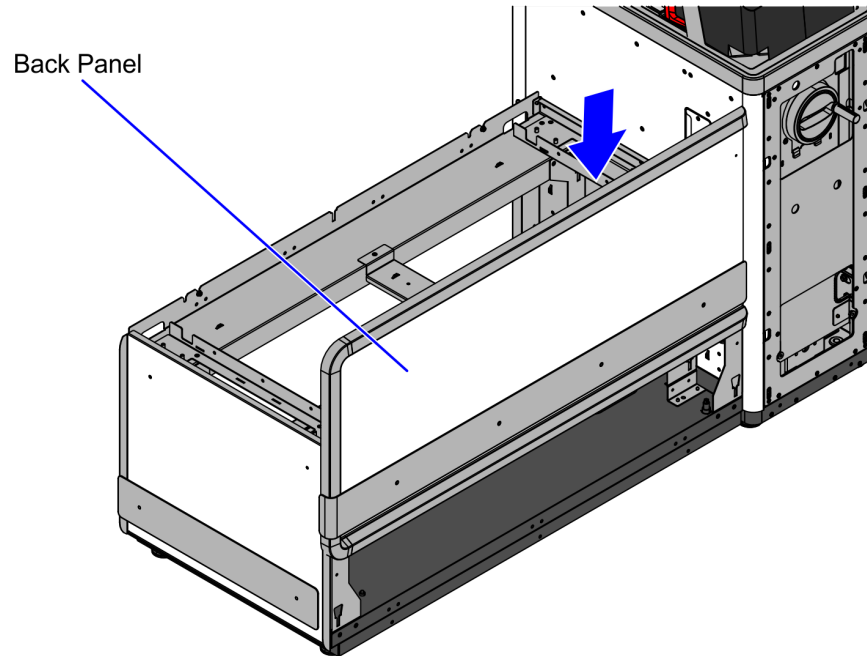


**Note:** To install the Back and Front Panels to the Bagwell Frame, refer to [Installing Back and Front Panels from 3-Bag Bagwell Frame](#) on the next page.

## Installing Back and Front Panels from 3-Bag Bagwell Frame

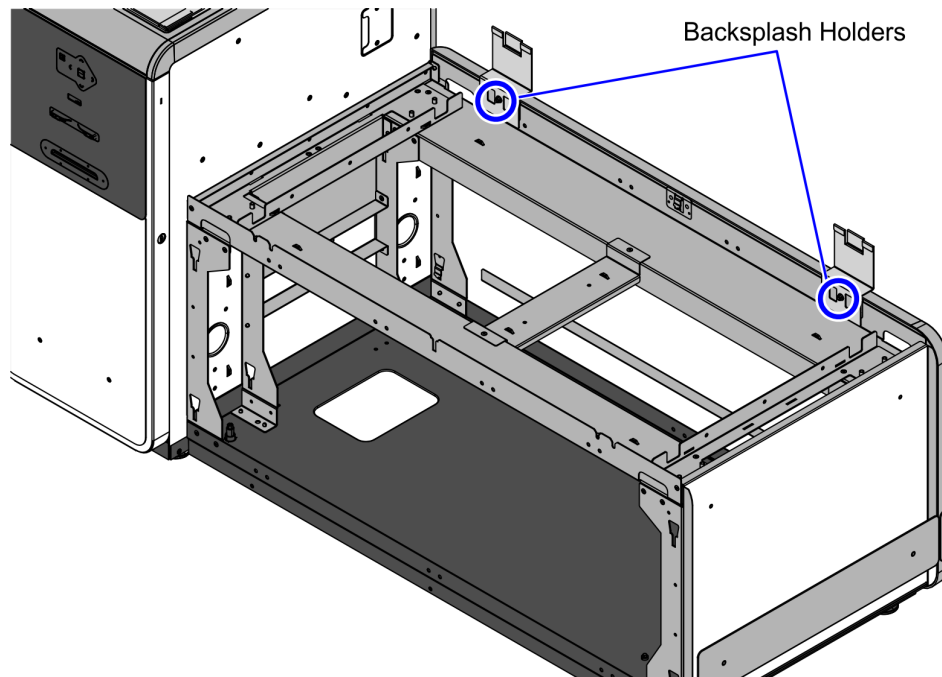
To install the Back and Front Panels from the Bagwell Frame, follow these steps:

1. Install the Lower Bumpers on the Bagwell Panels. For more information, refer to [Installing Back and Front Panels from 3-Bag Bagwell Frame](#) above.
2. Insert the Back Panel to the Bagwell Frame, as shown in the image below.



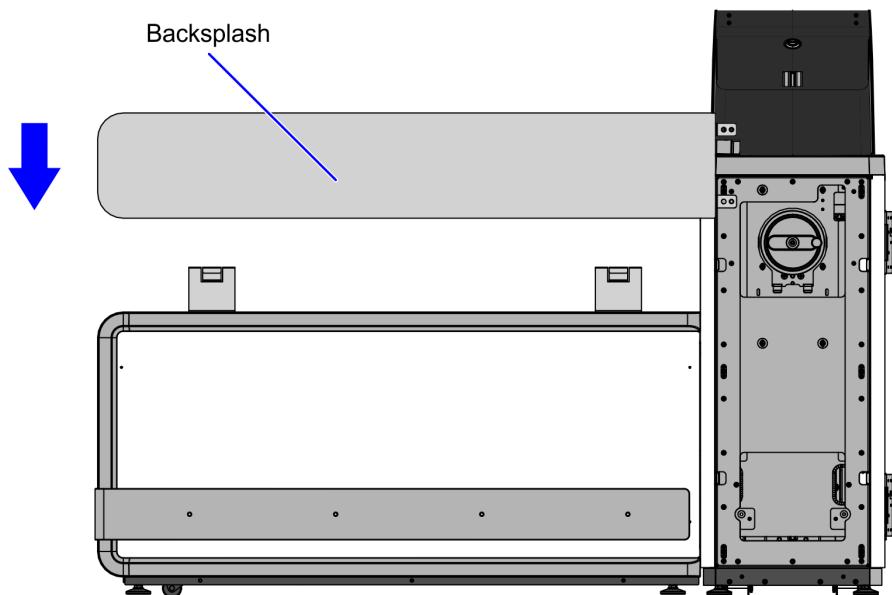
CCP-81612

3. Insert and secure each Backsplash Holder using two (2) nuts to the Bagwell Frame, as shown in the image below.



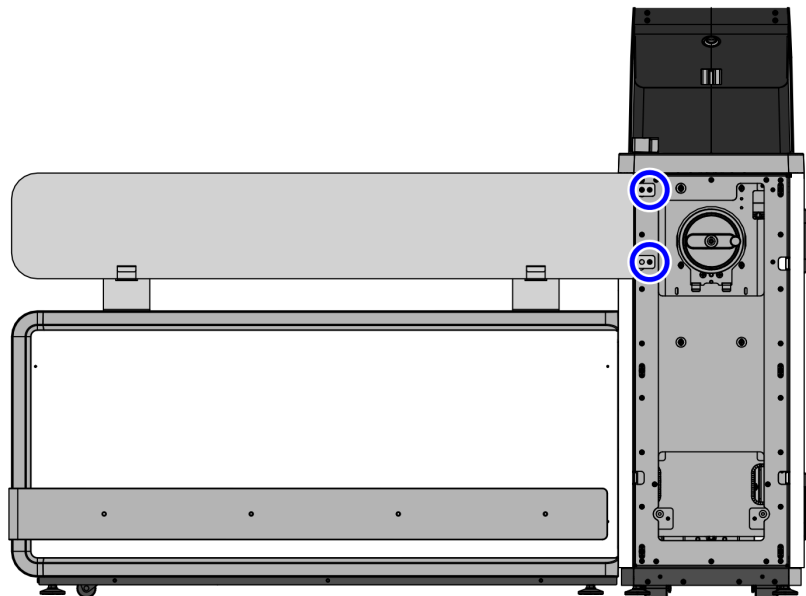
CCP-81613

4. Install the Backsplash by doing the following:
  - a. Insert the Backsplash into the Backsplash Holder slot, as shown in the image below.



CCP-81614

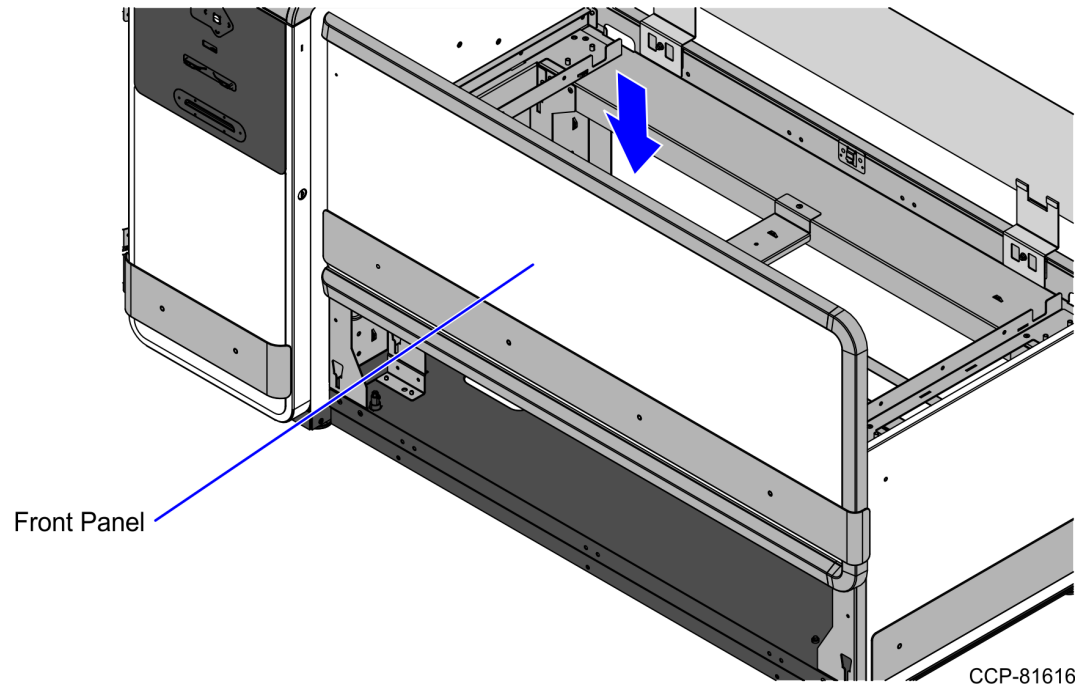
- b. Secure the Backsplash to the Core Frame using two (2) flathead screws.



CCP-81615



5. Insert the Front Panel into the Core Frame.



6. Tighten two (2) nuts to secure the Front Panel to the Bagwell frame.

