

Kit Instructions

No-Bag Lower Bumper (Narrow Core)



7360-K604
Issue A



The product described in this document is a licensed product of NCR Corporation.

NCR is a registered trademark of NCR Corporation. NCR FastLane SelfServ™ Checkout is a trademark of NCR Corporation in the United States and/or other countries. Other product names mentioned in this publication may be trademarks or registered trademarks of their respective companies and are hereby acknowledged.

The terms HDMI and HDMI High-Definition Multimedia Interface, and the HDMI Logo are trademarks or registered trademarks of HDMI Licensing LLC in the United States and other countries.

Where creation of derivative works, modifications or copies of this NCR copyrighted documentation is permitted under the terms and conditions of an agreement you have with NCR, NCR's copyright notice must be included.

It is the policy of NCR Corporation (NCR) to improve products as new technology, components, software, and firmware become available. NCR, therefore, reserves the right to change specifications without prior notice.

All features, functions, and operations described herein may not be marketed by NCR in all parts of the world. In some instances, photographs are of equipment prototypes. Software screen images are representative, and in some cases, may not match a customer's installed software exactly. Therefore, before using this document, consult with your NCR representative or NCR office for information that is applicable and current.

To maintain the quality of our publications, we need your comments on the accuracy, clarity, organization, and value of this book. Please use the link below to send your comments.

Email: FD230036@ncr.com

Copyright © 2021
(missing or bad snippet)

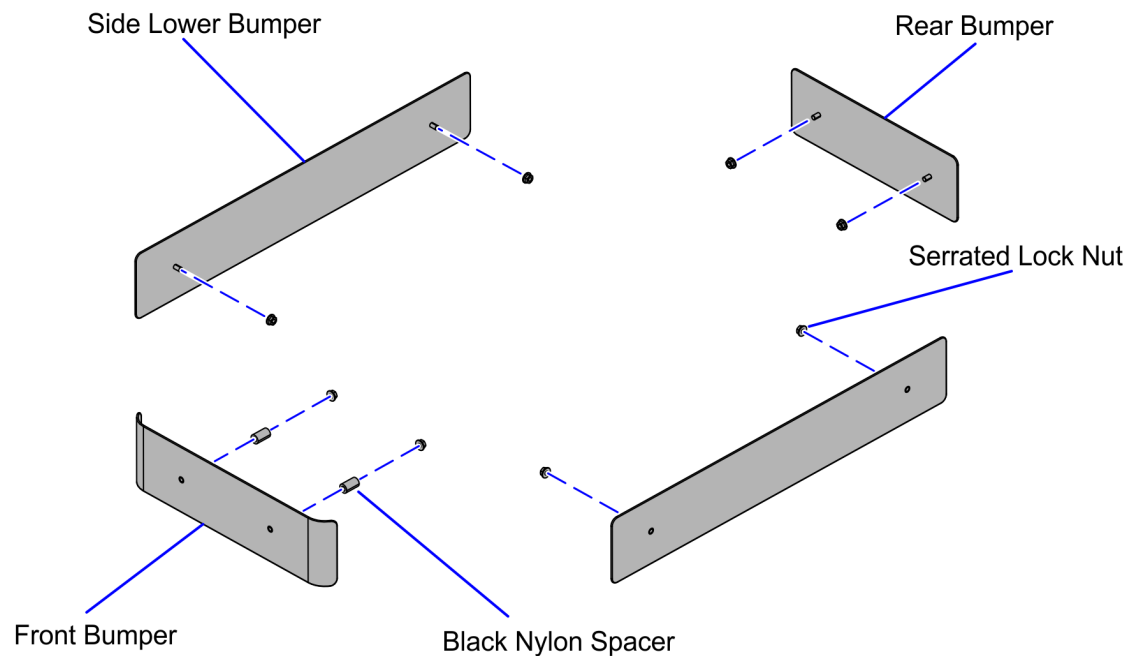
Revision Record

Issue	Date	Remarks
A	Aug 2021	First Issue

No-Bag Lower Bumper (Narrow Core)

This publication provides procedures for installing a No-Bag Bumper to the NCR FastLane SelfServ™ Checkout 7360.

Kit Contents



CCP-80354

Part Number	Description
497-0531051	No-Bag Lower Bumper (Narrow Core) Kit
009-0007088	Serrated Lock Nut (8 pcs)
497-0519703	Lower Side Bumper (2 pcs)
497-0506263	Black Nylon Spacer (2 pcs)
497-0520281	Narrow Core Front Bumper
497-0520282	Narrow Core Rear Bumper
* 497-0423108	Instructions Kit (Reference Sheet)

* Items marked with an asterisk are not called out on the image.

Installation Procedures

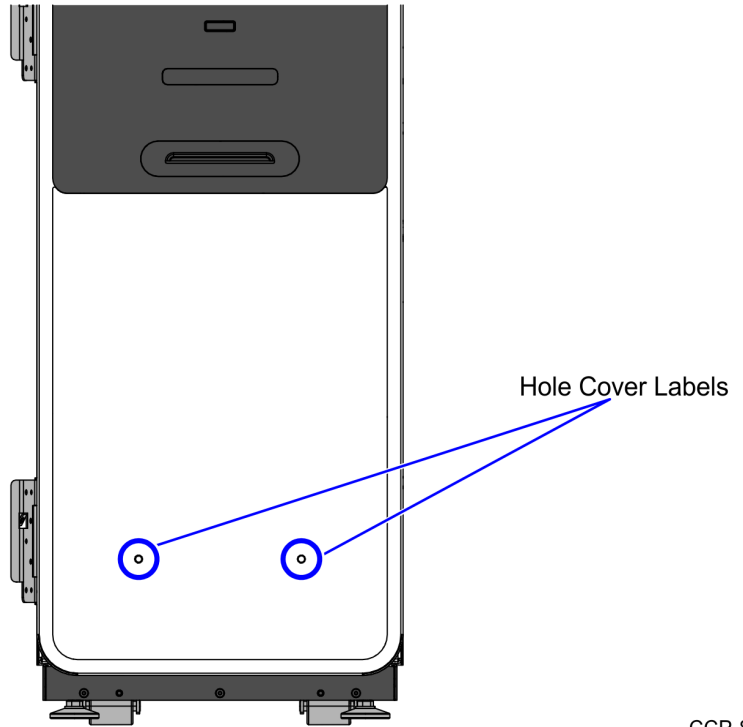
Installing the No-Bag Lower Bumpers involves the following procedures:

- [Installing Lower Bumper on Core Door](#) on the facing page.
- [Installing Lower Bumpers on Core Cabinet](#) on page 5.

Installing Lower Bumper on Core Door

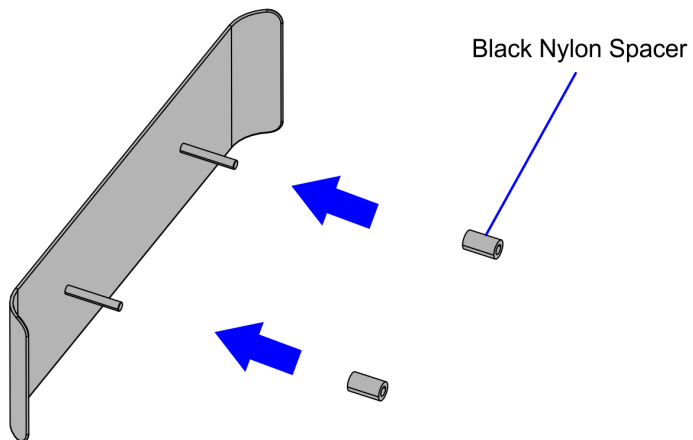
To install the Lower Bumper on the Core Door, follow these steps:

1. Open the Core Door.
2. Remove Cover Hole Labels from the Core Door.



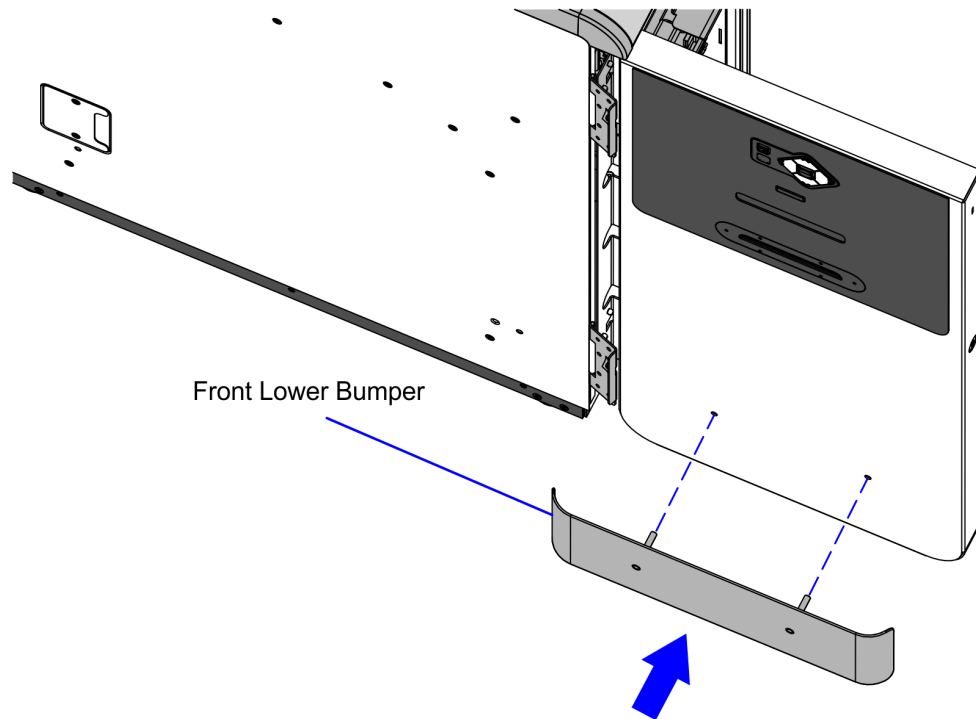
CCP-80359

3. Insert two (two) Nylon Spacers to the Front Bumper studs.



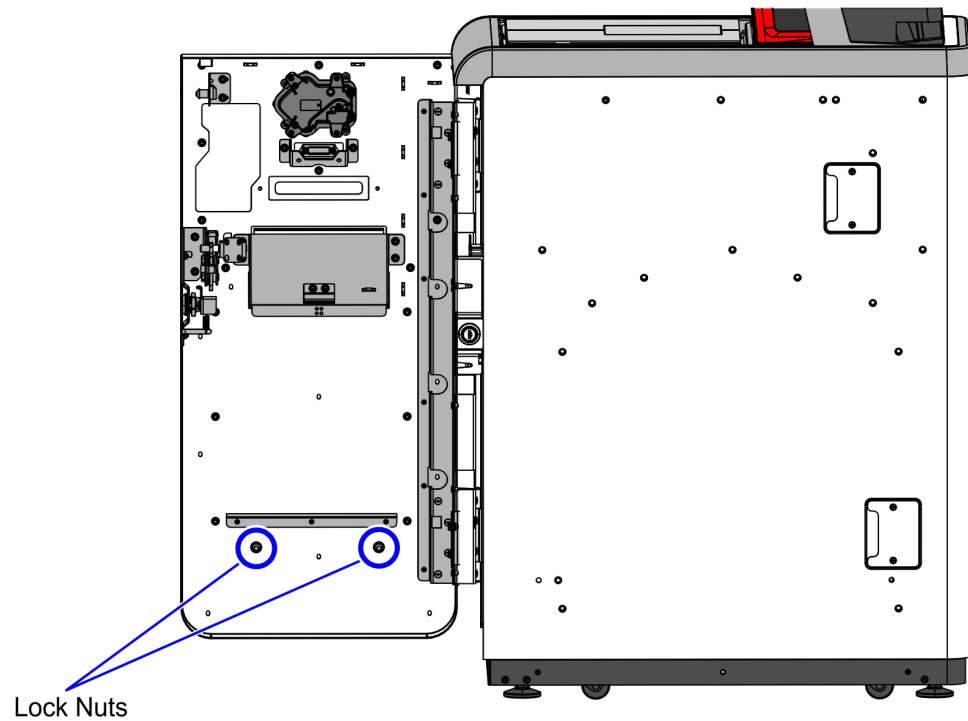
CCP-80360

4. Attach the Front Bumper to the unit by inserting the bumper studs into the holes on the Core Door.



CCP-80361

5. Behind the Core Door, secure the Front Bumper using the two (2) Lock Nuts.

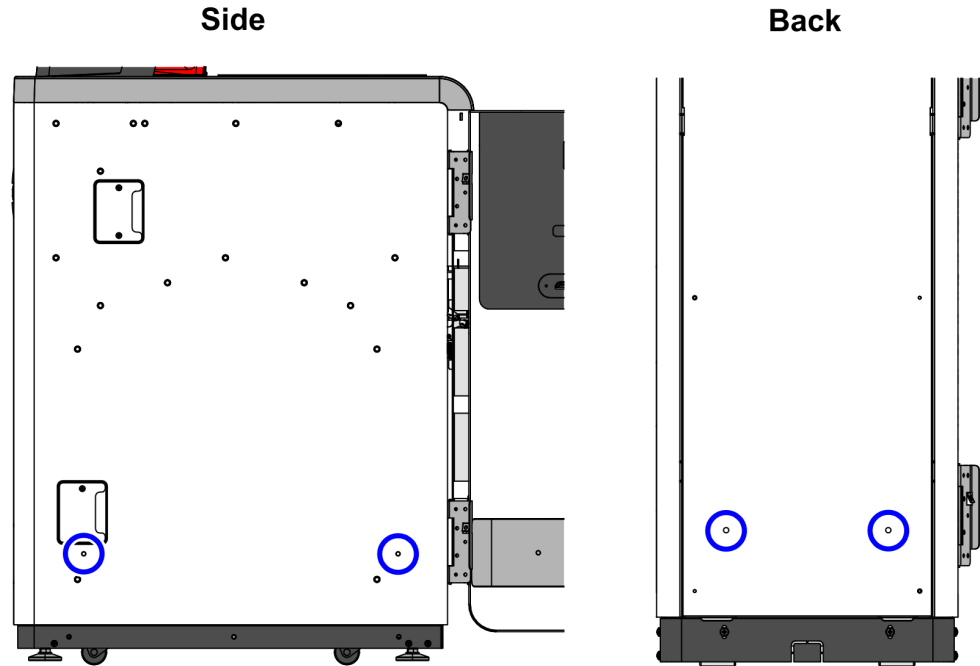


CCP-80362

Installing Lower Bumpers on Core Cabinet

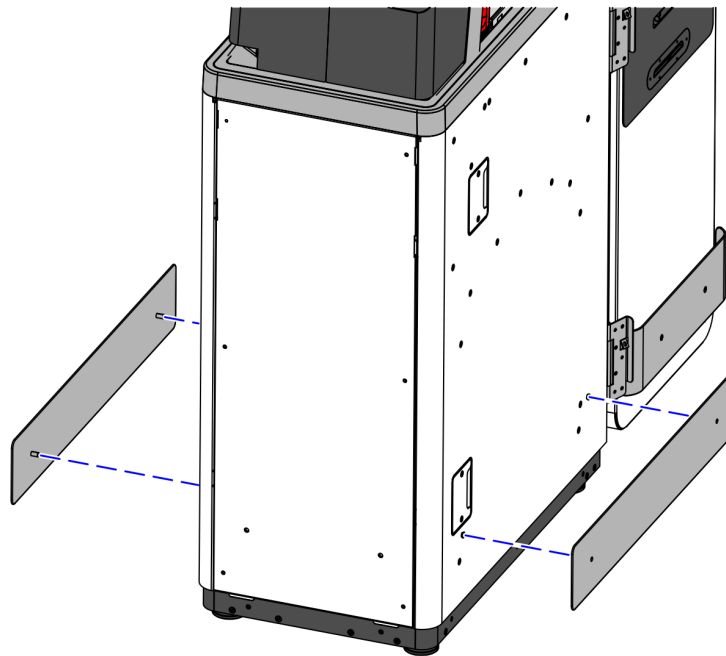
To install the Lower Bumpers on the Core Cabinet, follow these steps:

1. Remove the Hole Cover Labels from the Side and Back Panels.



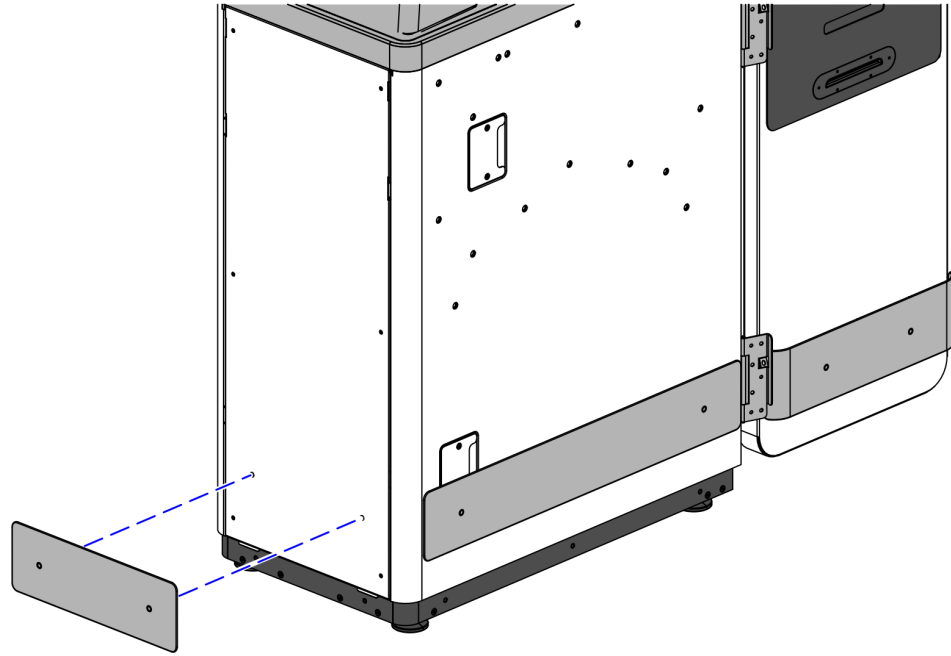
CCP-80363

2. Attach the two (2) Side Lower Bumpers and secure each of them with two (2) Lock Nuts.



CCP-80364

3. Install the Rear Lower Bumper and secure it with two (2) Lock Nuts.



CCP-80365