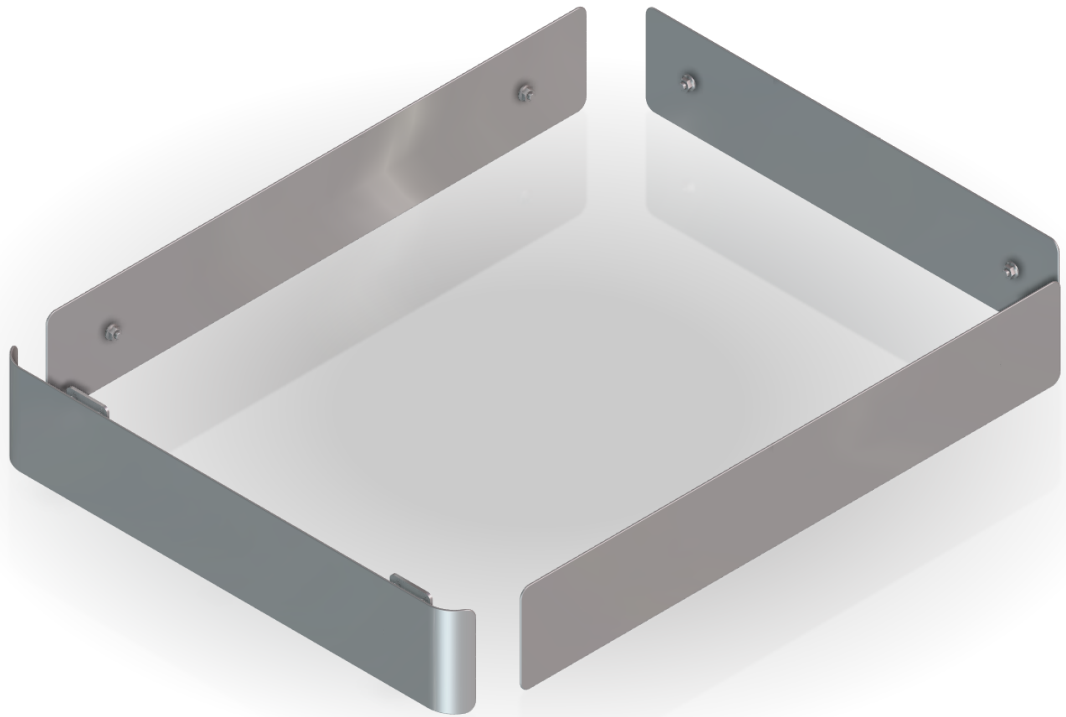


# Kit Instructions

## 7360 Lower Bumper Kits



7360-K600/K601/K602/K603  
Issue A



---

The product described in this document is a licensed product of NCR Corporation.

NCR is a registered trademark of NCR Corporation. NCR FastLane SelfServ™ Checkout is a trademark of NCR Corporation in the United States and/or other countries. Other product names mentioned in this publication may be trademarks or registered trademarks of their respective companies and are hereby acknowledged.

The terms HDMI and HDMI High-Definition Multimedia Interface, and the HDMI Logo are trademarks or registered trademarks of HDMI Licensing LLC in the United States and other countries.

Where creation of derivative works, modifications or copies of this NCR copyrighted documentation is permitted under the terms and conditions of an agreement you have with NCR, NCR's copyright notice must be included.

It is the policy of NCR Corporation (NCR) to improve products as new technology, components, software, and firmware become available. NCR, therefore, reserves the right to change specifications without prior notice.

All features, functions, and operations described herein may not be marketed by NCR in all parts of the world. In some instances, photographs are of equipment prototypes. Software screen images are representative, and in some cases, may not match a customer's installed software exactly. Therefore, before using this document, consult with your NCR representative or NCR office for information that is applicable and current.

To maintain the quality of our publications, we need your comments on the accuracy, clarity, organization, and value of this book. Please use the link below to send your comments.

Email: [FD230036@ncr.com](mailto:FD230036@ncr.com)

Copyright © 2019  
By NCR Corporation  
Global Headquarters  
864 Spring St NW  
Atlanta, GA 30308  
U.S.A.  
All Rights Reserved

## Revision Record

Issue	Date	Remarks
A	Feb 2019	First Issue

---

# Lower Bumper Kits

---

Bumpers are metal plates designed to protect the unit from impact of outside force. This publication provides procedures for installing Lower Bumpers on the Cosmetic Door, Core Cabinet, and Bagwell module on the NCR FastLane SelfServ™ Checkout (7360).

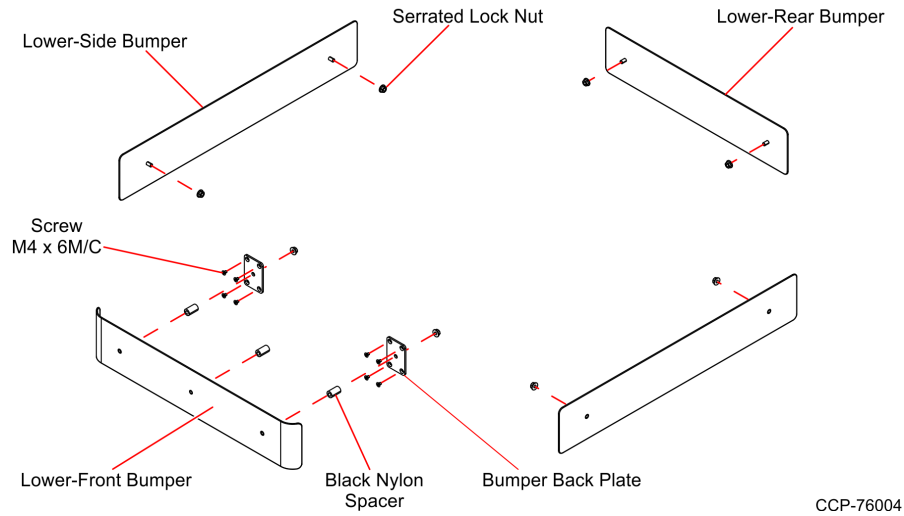
## Kit Contents

Depending on the 7360 SelfServ Checkout unit Bagwell configuration, refer to the following sections for information about the kit contents:

- [7360-K600 Lower Bumper Kit No-Bag Unit](#) on the next page.
- [7360-K601 Lower Bumper Kit 1-Bag Unit](#) on page 3.
- [7360-K602 Lower Bumper Kit 2-Bag Unit](#) on page 4.
- [7360-K603 Lower Bumper Kit 3-Bag Unit](#) on page 5.



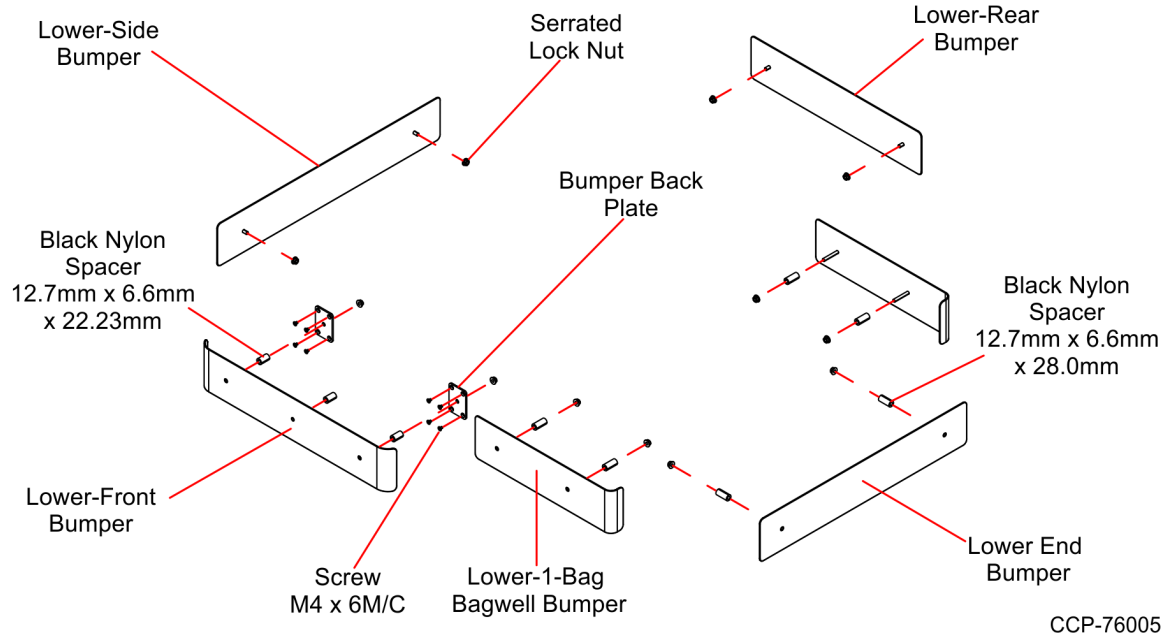
## 7360-K600 Lower Bumper Kit No-Bag Unit



Part Number	Description
497-0520277	7360-K600 Lower Bumper Kit No-Bag Unit
497-0519705	Lower-Front Bumper (1 pc)
497-0519703	Lower-Side Bumper (2 pcs)
497-0519704	Lower-Rear Bumper (1pc)
497-0506680	Bumper Back Plate (2 pcs)
497-0506263	Black Nylon Spacer 12.7mm x 6.6mm x 22.23mm (ODxIDxL) (3 pcs)
007-7022120	Screw M4 x 6M/C CSK POZ 1 (8 pcs)
009-0007088	Serrated Lock Nut (8 pcs)
* 497-0423108	Instructions Kit (Reference Sheet)

\* Items marked with an asterisk are not called out on the image.

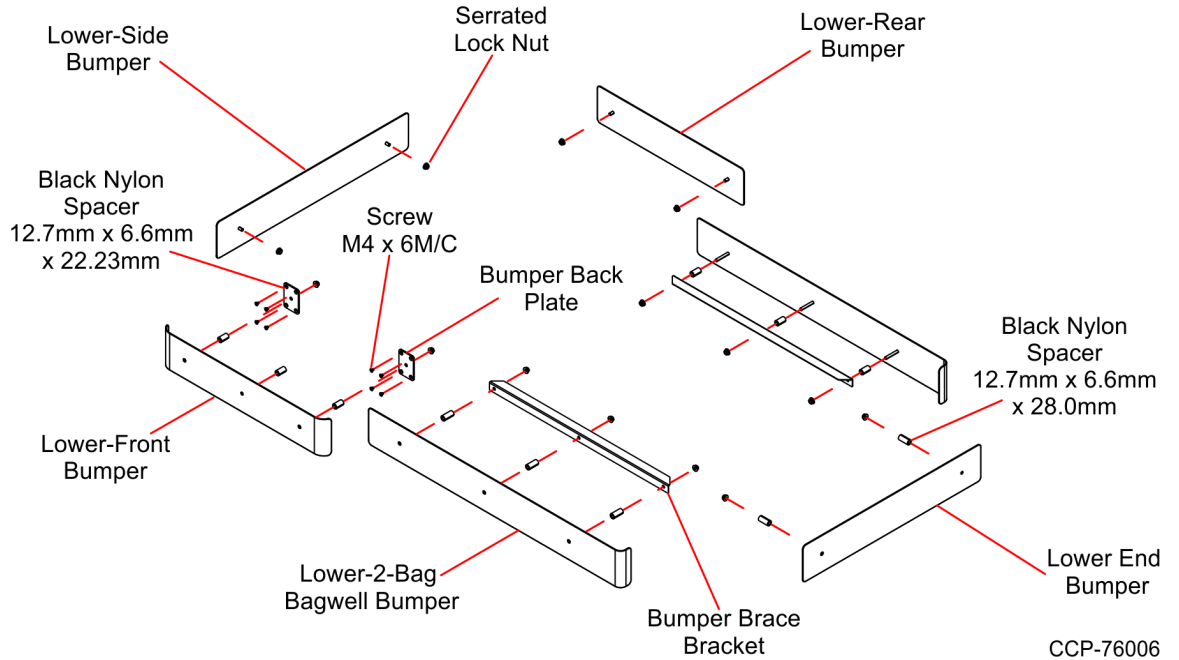
## 7360-K601 Lower Bumper Kit 1-Bag Unit



Part Number	Description
497-0520278	7360-K601 Bumper Kit 1-Bag Unit
497-0519705	Lower-Front Bumper (1 pc)
497-0519703	Lower-Side Bumper (1 pc)
497-0519706	Lower-1-Bag Bagwell Bumpers (2 pcs)
497-0519704	Lower-Rear Bumper (1pc)
497-0519707	Lower-End Bumper (1pc)
497-0506680	Bumper Back Plate (2 pcs)
497-0506263	Black Nylon Spacer 12.7mm x 6.6mm x 22.23mm (ODxIDxL) (3 pcs)
007-7022120	Screw M4 x 6M/C CSK POZ 1 (8 pcs)
009-0007088	Serrated Lock Nut (12 pcs)
497-0517634	Black Nylon Spacer 12.7mm x 6.6mm x 28.0mm (ODxIDxL) (6 pcs)
* 497-0423108	Instructions Kit (Reference Sheet)

\* Items marked with an asterisk are not called out on the image.

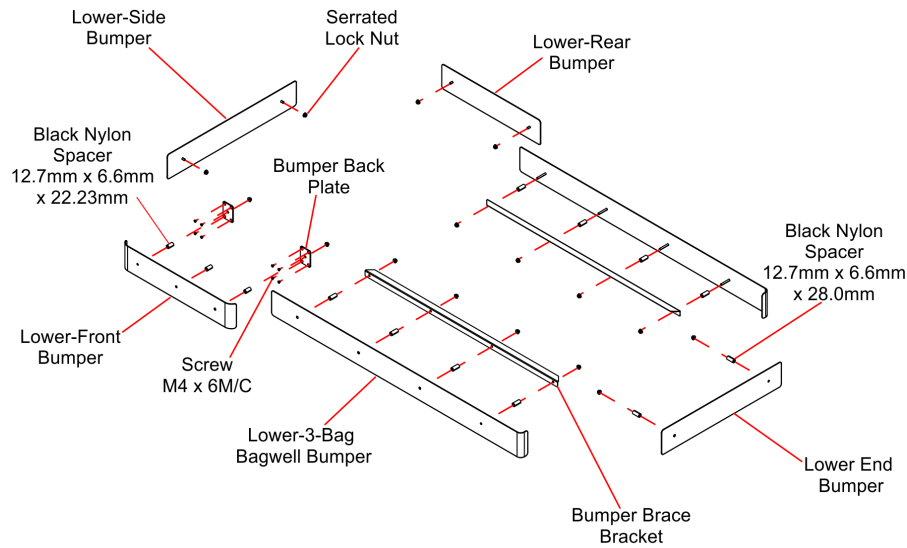
## 7360-K602 Lower Bumper Kit 2-Bag Unit



Part Number	Description
497-0520279	7360-K602 2-Bag Bumper Set
497-0519705	Lower-Front Bumper (1 pc)
497-0519703	Lower-Side Bumper (1 pc)
497-0519708	Lower-2-Bag Bagwell Bumpers (2 pcs)
497-0519704	Lower-Rear Bumper (1pc)
497-0519707	Lower-End Bumper (1pc)
497-0506680	Bumper Back Plate (2 pcs)
497-0506283	Bumper Brace Bracket (2 pcs)
497-0506263	Black Nylon Spacer 12.7mm x 6.6mm x 22.23m (ODxIDxL) (3 pcs)
007-7022120	Screw M4 x 6M/C CSK POZ 1 (8 pcs)
009-0007088	Serrated Lock Nut (14 pcs)
497-0517634	Black Nylon Spacer 12.7mm x 6.6mm x 28.0mm (ODxIDxL) (8 pcs)
* 497-0423108	Instructions Kit (Reference Sheet)

\* Items marked with an asterisk are not called out on the image.

## 7360-K603 Lower Bumper Kit 3-Bag Unit



CCP-76007

Part Number	Description
497-0520280	7360-K603 Bumper Kit 3-Bag Unit
497-0519705	Lower-Front Bumper (1 pc)
497-0519703	Lower-Side Bumper (1 pc)
497-0519709	Lower-3-Bag Bagwell Bumpers (2 pcs)
497-0519704	Lower-Rear Bumper (1pc)
497-0519707	Lower-End Bumper (1pc)
497-0506680	Bumper Back Plate (2 pcs)
497-0506284	Bumper Brace Bracket (2 pcs)
497-0506263	Black Nylon Spacer 12.7mm x 6.6mm x 22.23mm (ODxIDxL) (3 pcs)
007-7022120	Screw M4 x 6M/C CSK POZ 1 (8 pcs)
009-0007088	Serrated Lock Nut (16 pcs)
497-0517634	Black Nylon Spacer 12.7mm x 6.6mm x 28.0mm (ODxIDxL) (10 pcs)
* 497-0423108	Instructions Kit (Reference Sheet)

\* Items marked with an asterisk are not called out on the image.

# Installation Procedures

The procedures for installing the Lower Bumpers on the NCR FastLane SelfServ™ Checkout (7360) unit depends on the bagging configuration of the unit. For more information, refer to the following procedures:

- [Installing Lower Bumper on Cosmetic Door](#) on the facing page.
- [Installing Lower Bumpers on Core Cabinet](#) on page 13.
- [Installing Lower Bumpers on Bagwell](#) on page 20.

Refer to the following table for the recommended sequence of procedures:

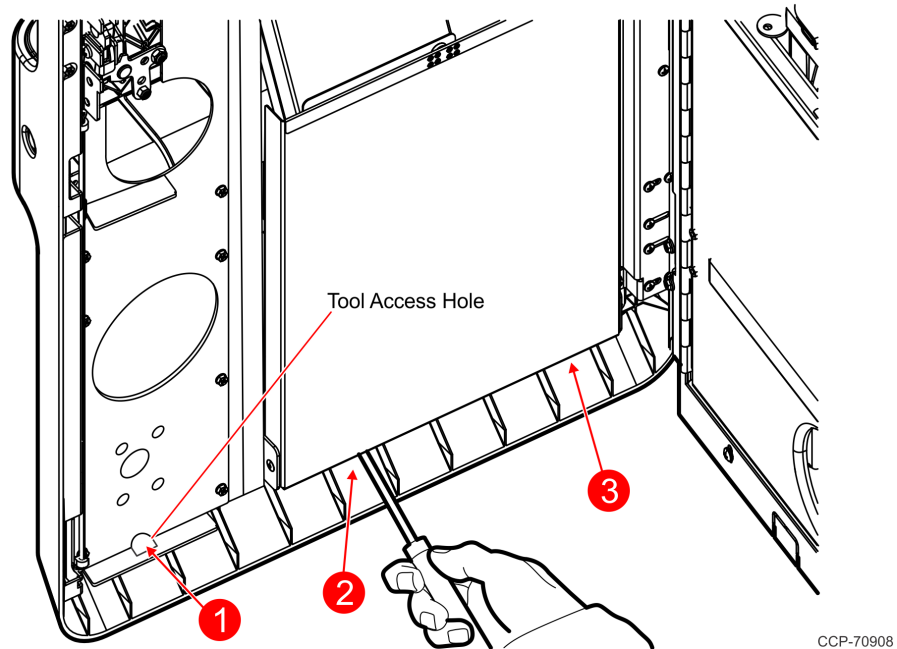
No-Bag Unit	1-Bag/2-Bag/3-Bag Unit
1. <a href="#">Installing Lower Bumper on Cosmetic Door</a> on the facing page.	1. <a href="#">Installing Lower Bumper on Cosmetic Door</a> on the facing page.
2. <a href="#">Removing Side and Back Panels from Core Frame</a> on page 15.	2. <a href="#">Removing Side and Back Panels from Core Frame</a> on page 15 .
3. <a href="#">Installing Lower Bumpers on Core Cabinet</a> on page 13.	3. <a href="#">Installing Lower Bumpers on Core Cabinet</a> on page 13.
4. <a href="#">Installing Side and Back Panels on Core Frame</a> on page 18.	4. <a href="#">Installing Side and Back Panels on Core Frame</a> on page 18.
	5. <a href="#">Removing Back and Front Panels from Bagwell Frame</a> on page 22.
	6. <a href="#">Installing Lower Bumpers on Bagwell</a> on page 20.
	7. <a href="#">Installing Back and Front Panels on Bagwell Frame</a> on page 26.

## Installing Lower Bumper on Cosmetic Door

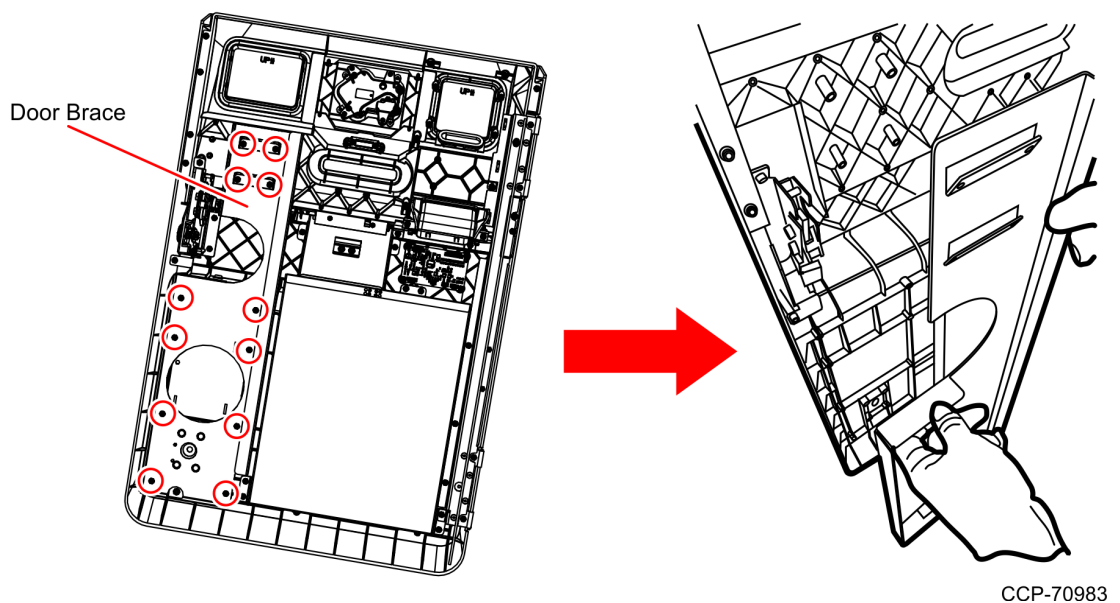
To install the Lower Bumper on the Cosmetic Door, follow these steps:

1. From the back of the Cosmetic Door, remove three nuts securing the door panel to the Cosmetic Door.

**Example:** The image below shows a unit with a Single Latch assembly.

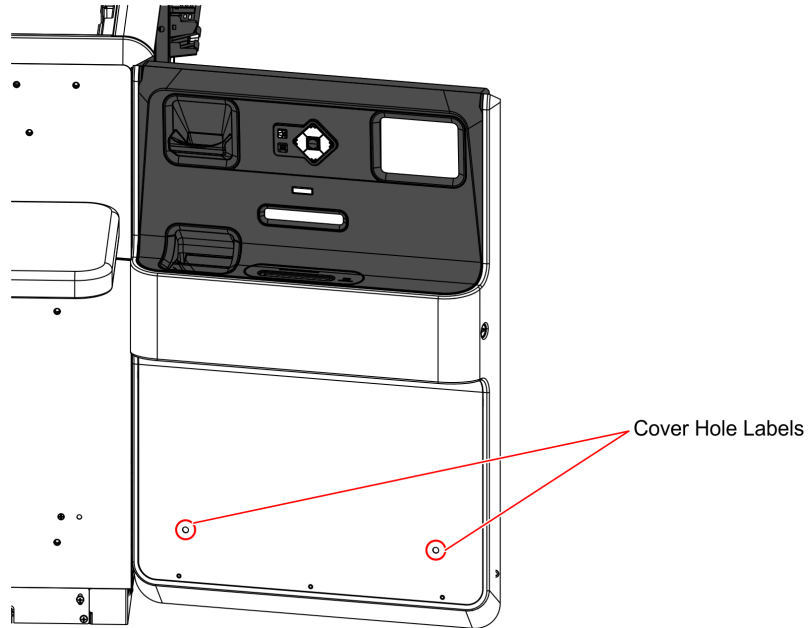


**Note:** If unit has the Dual Latch assembly as shown below, the Door Brace may need to be removed to access the left most nut.



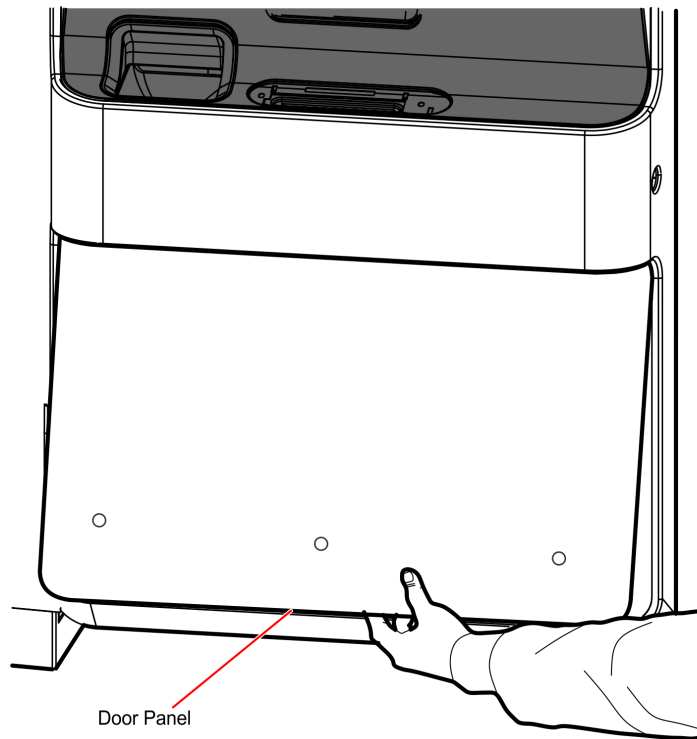
2. From the front of the Cosmetic Door, do the following:

- Peel Hole Cover labels.



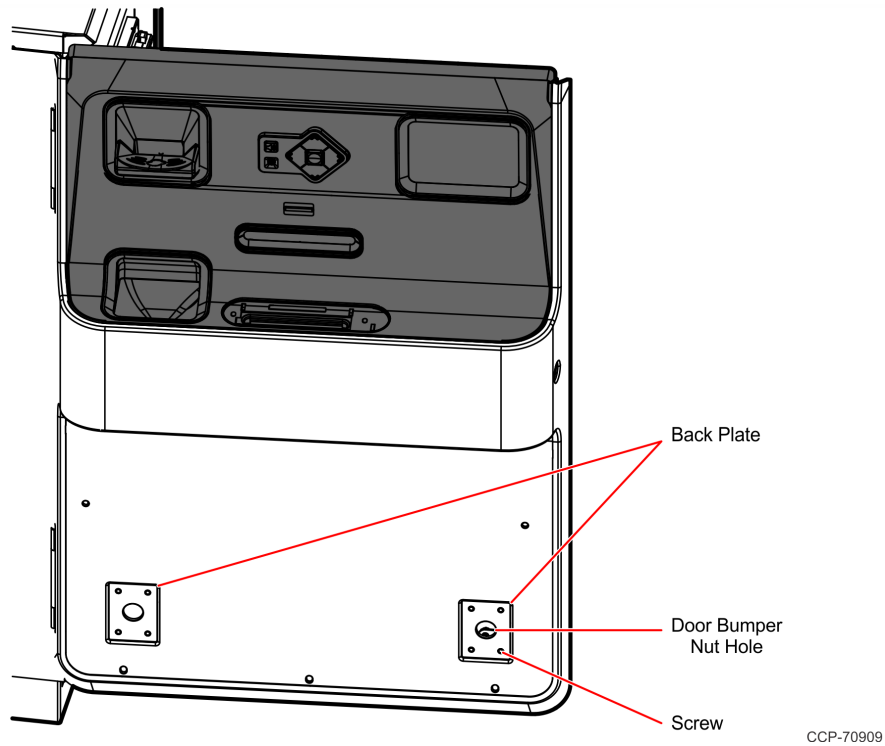
CCP-76010

- Pull out and then slide down the Door Panel to completely remove it.

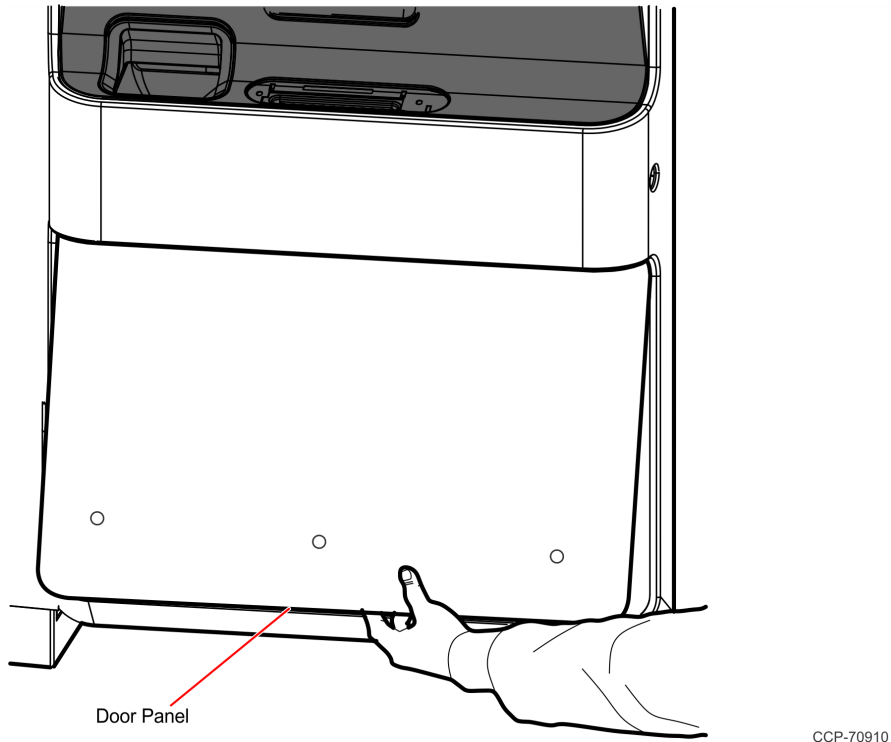


CCP-70910

3. Mount and then secure two (2) Back Plates on the Cosmetic Door using four (4) screws on each Back Plate.



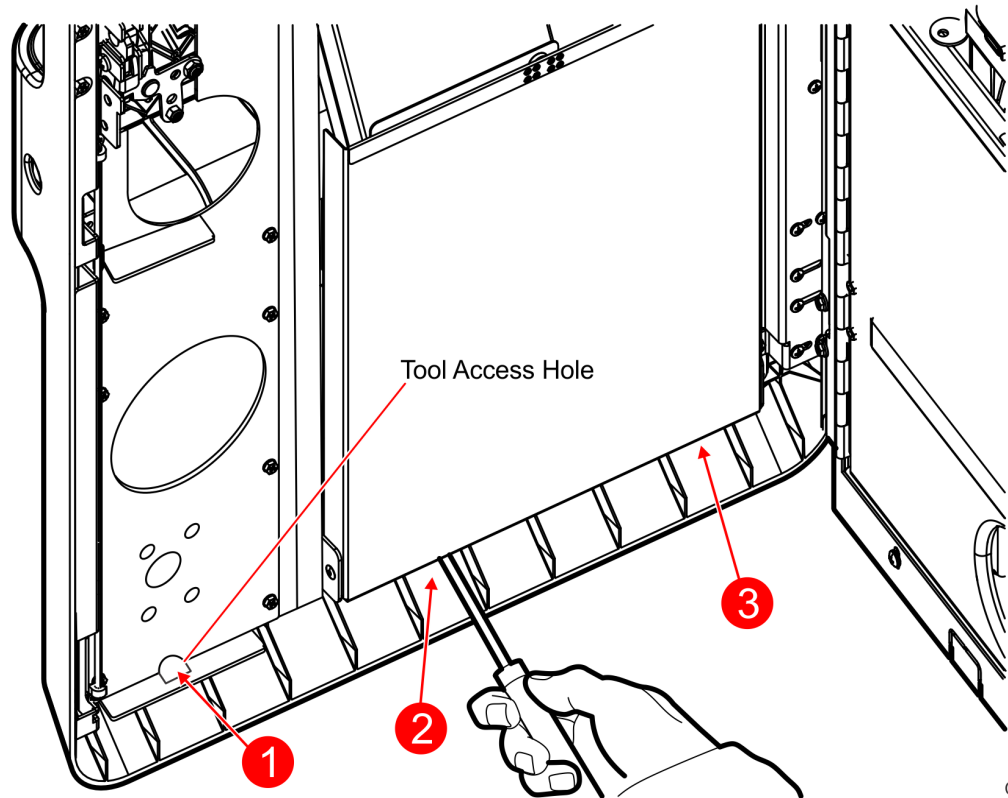
4. Reinstall the Door Panel to the Cosmetic Door by engaging the Door Panel hooks under the curved portion of the Cosmetic Door.





5. Secure the Door Panel on the back of the Cosmetic Door using three (3) nuts.

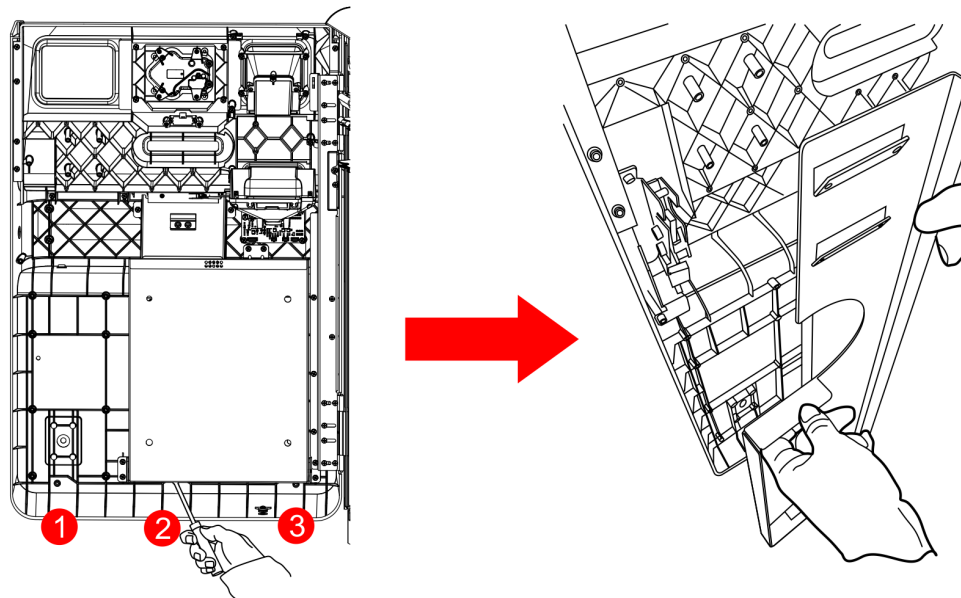
**Example:** The image below shows a unit with a Single Latch assembly.



CCP-70908

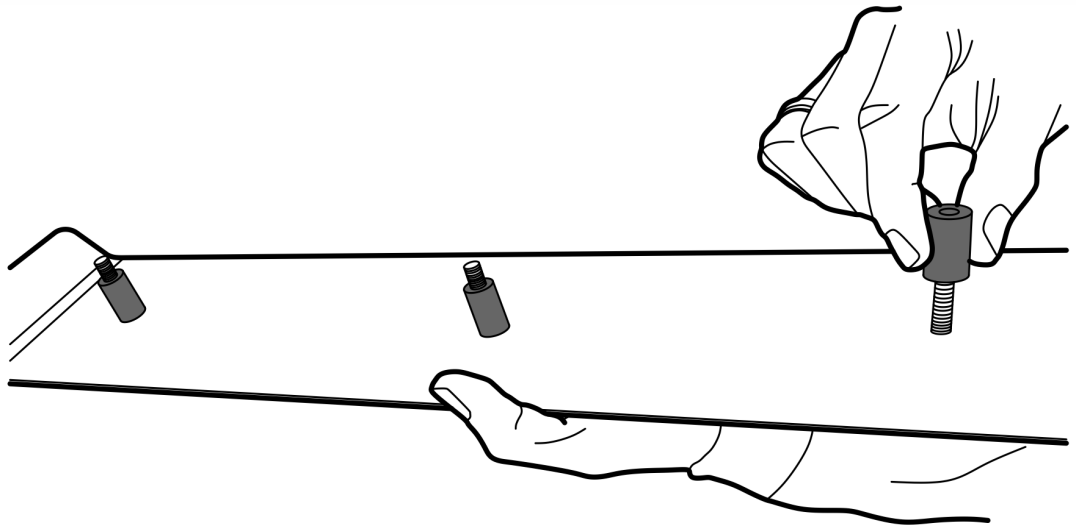


**Note:** If unit has the Dual Latch assembly as shown below, the Door Brace may need to be installed after securing the Door Panel.



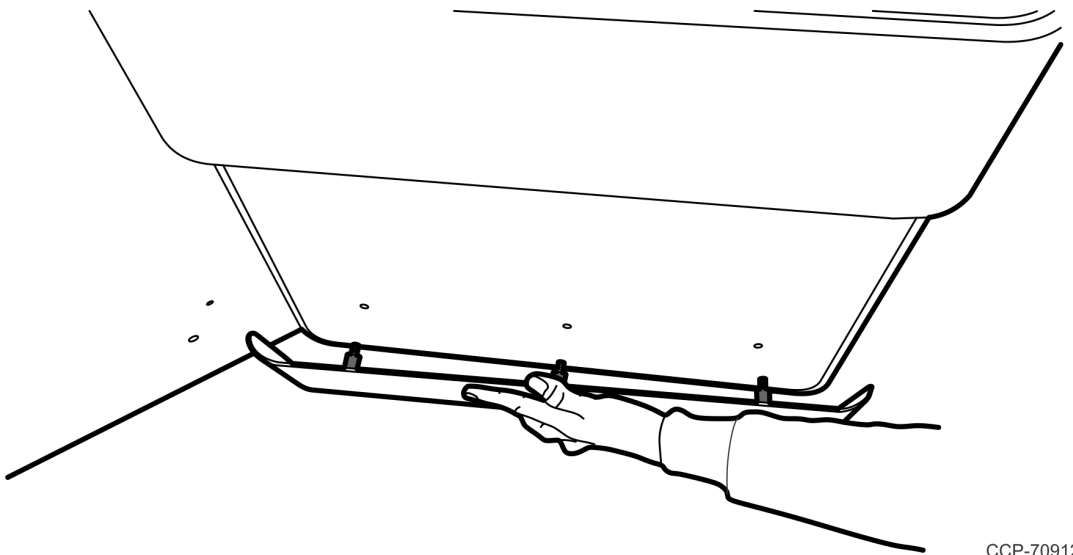
CCP-76053

6. Insert three spacers into the Door Bumper studs.



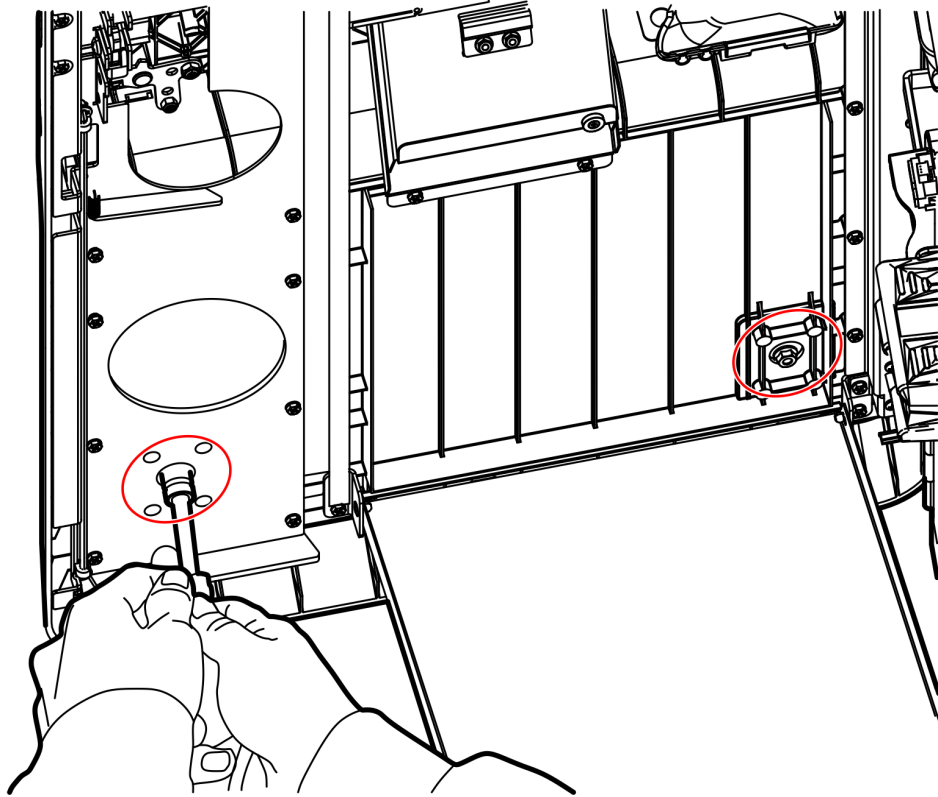
CCP-70911

7. Insert the Door Bumper studs through the corresponding Door Panel holes.



CCP-70912

8. Open the Coupon Bin door and then, secure the Door Bumper on the Door Panel using two nuts.



CCP-70913

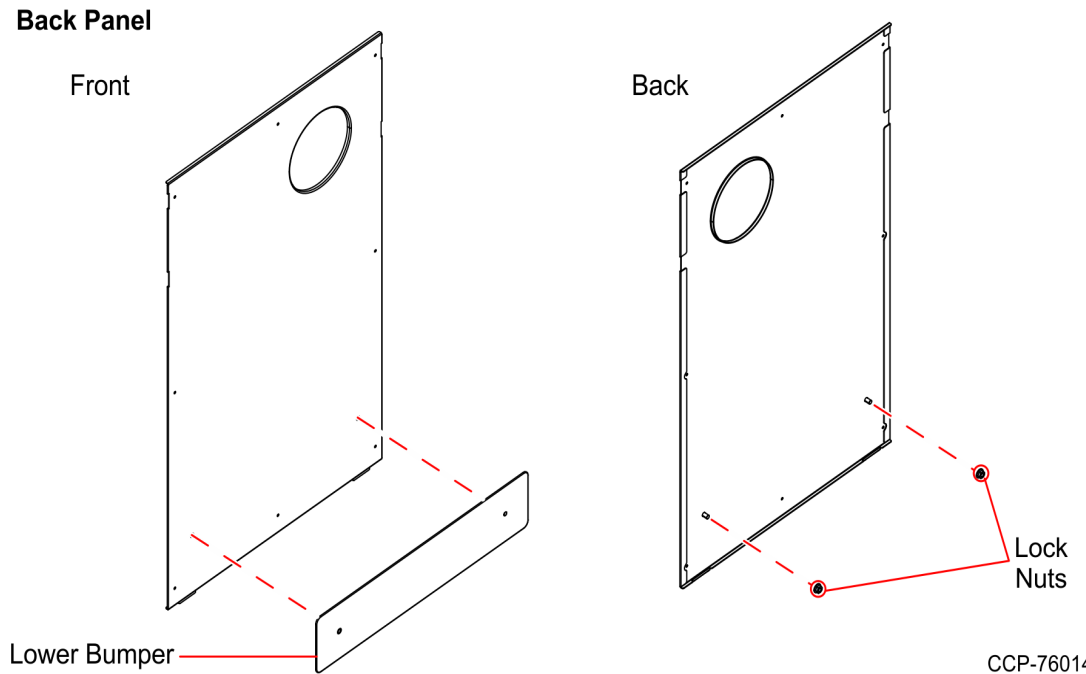
## Installing Lower Bumpers on Core Cabinet

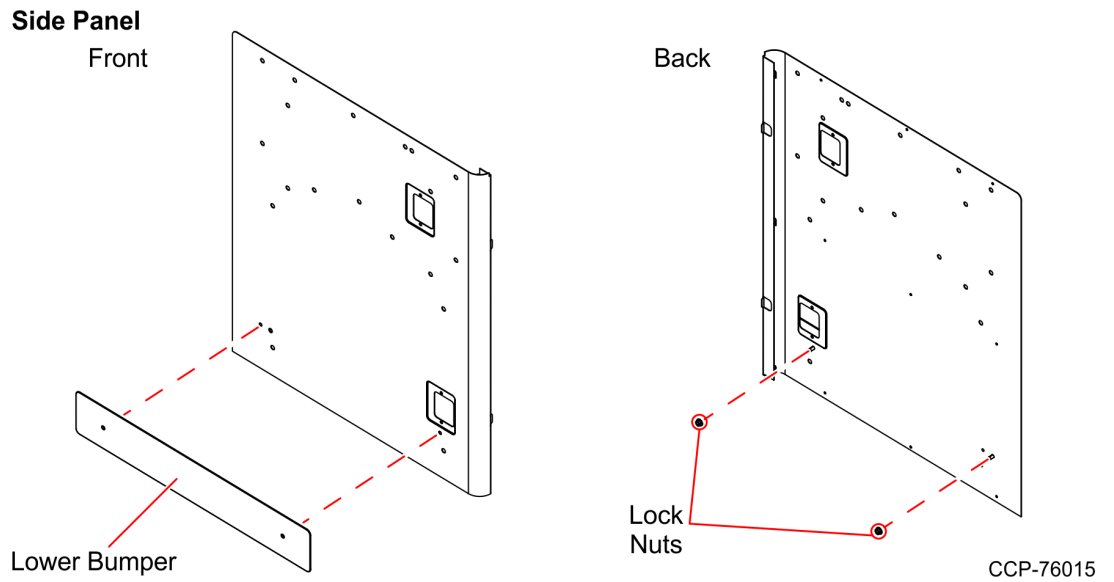
To install the Lower Bumpers on the Core Cabinet, follow these steps:

1. Remove the Side and Back Panels from the Core Frame. For more information, refer to [Removing Side and Back Panels from Core Frame](#) on page 15.
2. Remove Hole Cover Labels located on the lower area of the Panels.
3. Install the Lower Bumper on each Panel, by aligning the Bumper studs with the corresponding Panel holes and then secure at the back using two lock nuts as shown in the images below.



**Note:** For the purpose of illustration, this procedure shows images of a Convertible unit as example only.





**Note:** To install the Back and Side Panels to the Core Frame, refer to [Installing Side and Back Panels on Core Frame](#) on page 18.

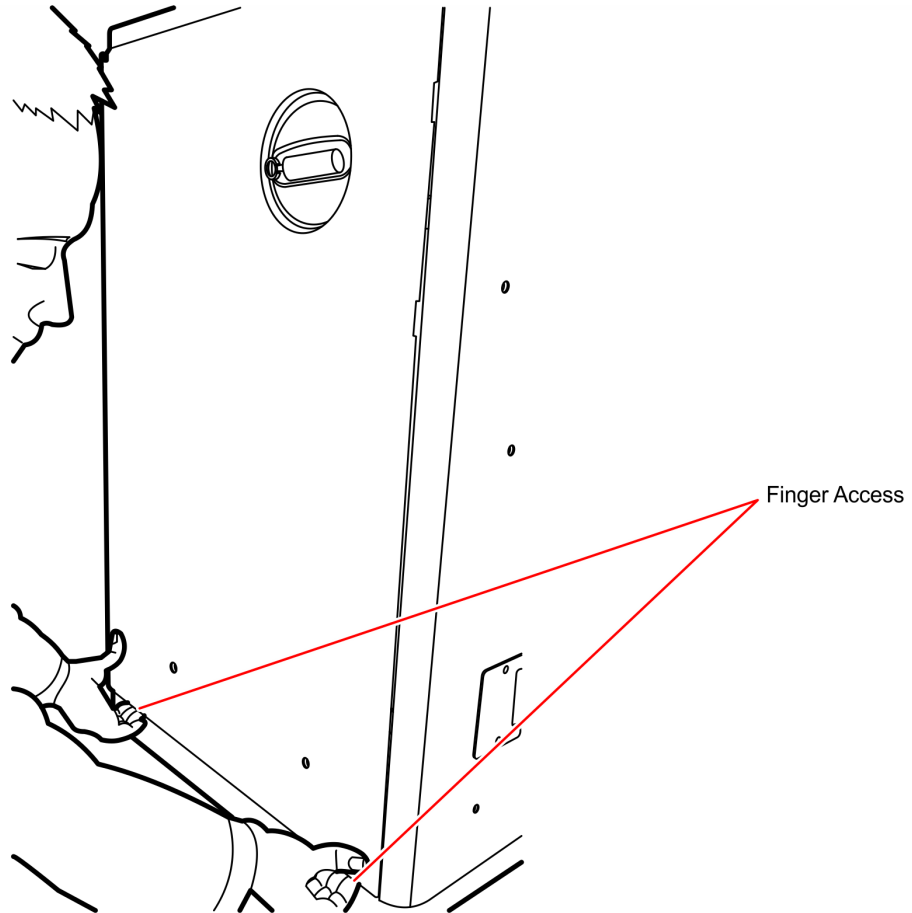
## Removing Side and Back Panels from Core Frame

To remove the Side and Back Panels from the Core Frame, follow these steps:

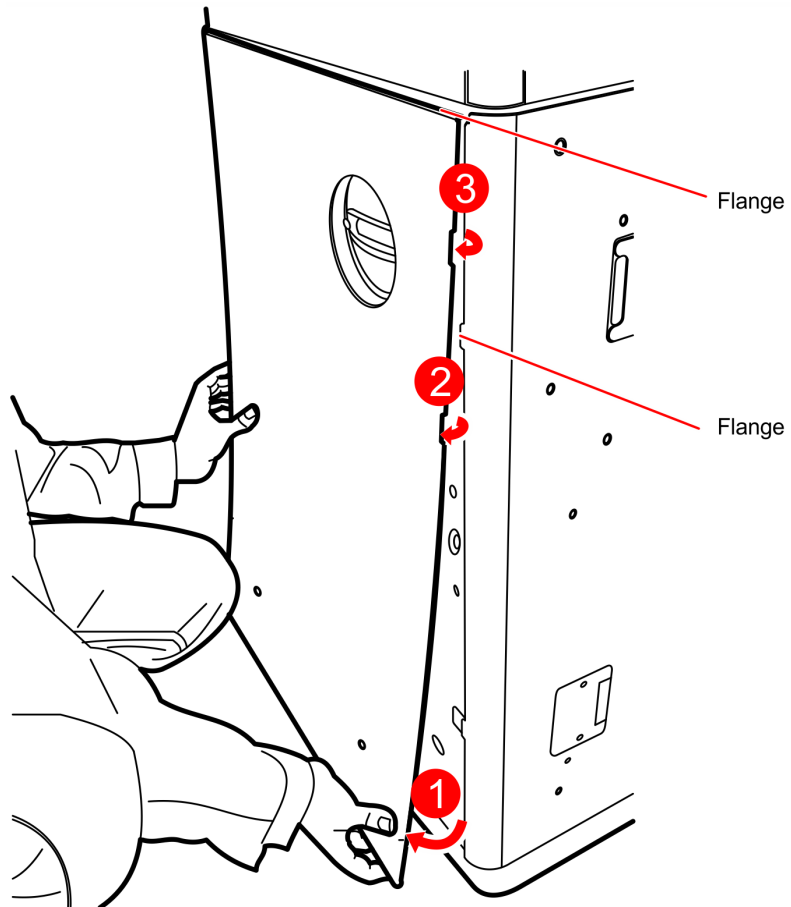


**Note:** For the purpose of illustration, this procedure shows images of a Convertible unit as an example only.

1. Remove the Back Panel by doing the following:
  - a. At the bottom of the Back Panel, hold the finger access on both sides as shown in the image below.



- b. Slowly pull the Back Panel forward to disengage each flange attaching the Back Panel to the Core Frame as shown in the image below.



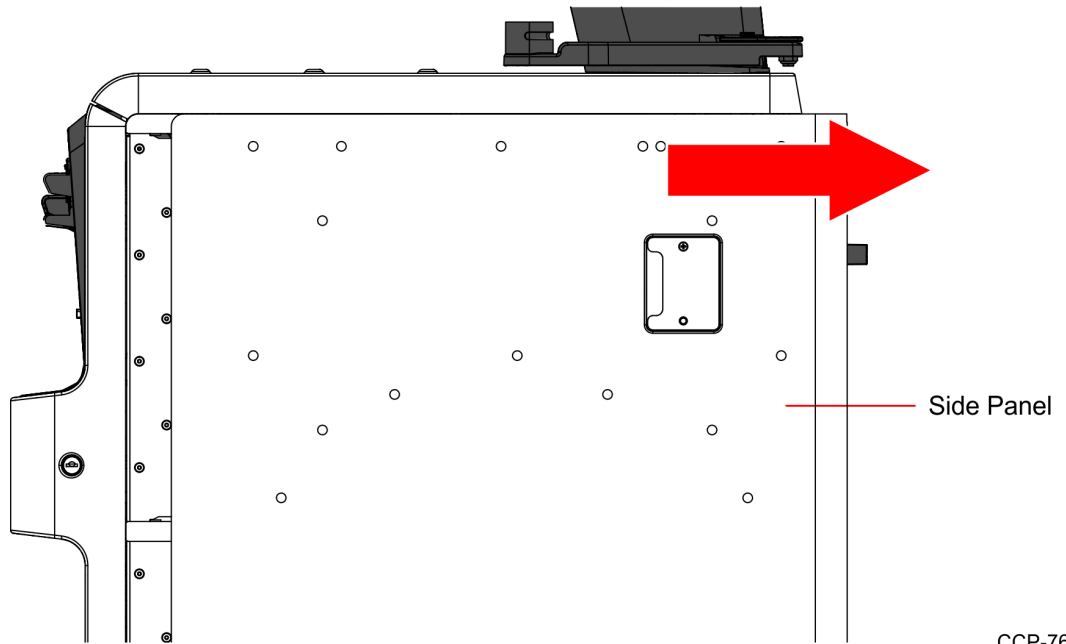
2. Remove the Side Panels by sliding each Panel to the back as shown in the image below.



**Note:** If the unit is configured with a Basket Shelf, remove the Basket Shelf.



**Note:** If the unit is configured with a Bagwell module, only one Side Panel is removed from the Core Frame.



CCP-76013



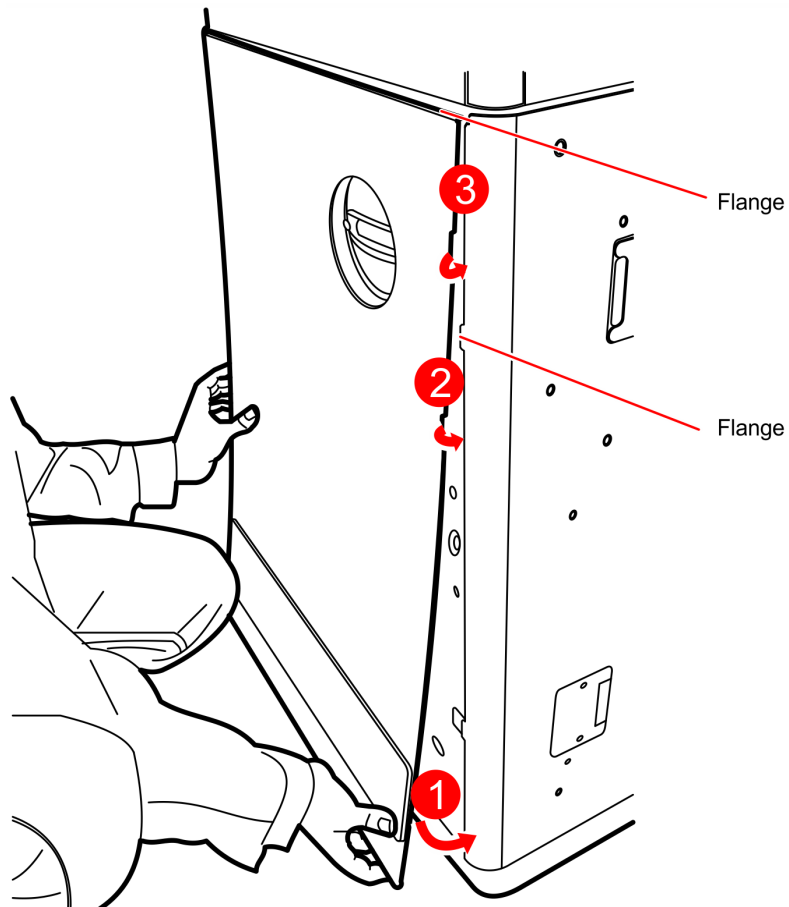
## Installing Side and Back Panels on Core Frame

To install the Side and Back Panels on the Core Frame, follow these steps:

1. Slowly align and attach the Back Panel to the flanges on the Core Frame as shown in the image below.



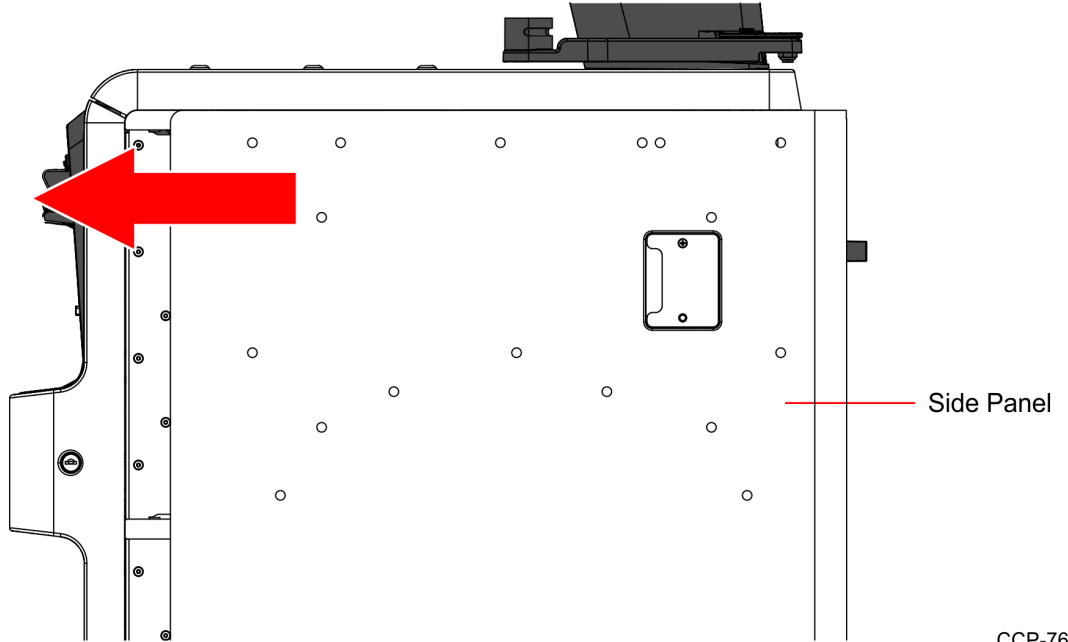
**Note:** For the purpose of illustration, this step shows an image of a Convertible unit as an example only.



2. Attach the Side Panels to the corresponding sides on the Core Frame by sliding each Panel to the front as shown in the image below.



**Note:** If the unit is configured with a Bagwell module, only one Side Panel is removed from the Core Frame



CCP-76020

## Installing Lower Bumpers on Bagwell

To install Lower Bumpers on the Bagwell, follow these steps:

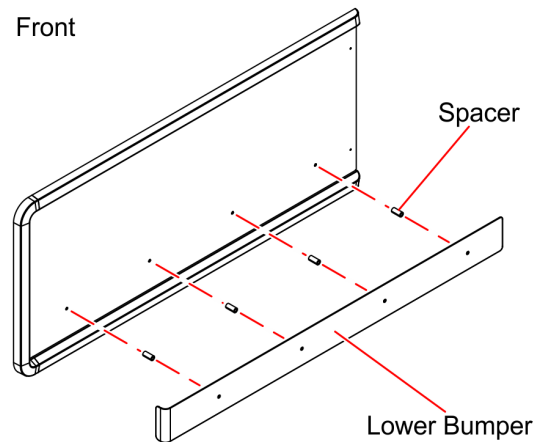


**Note:** This procedure provides instructions for installing the kit on a 3-Bag Bagwell configuration only as an example.

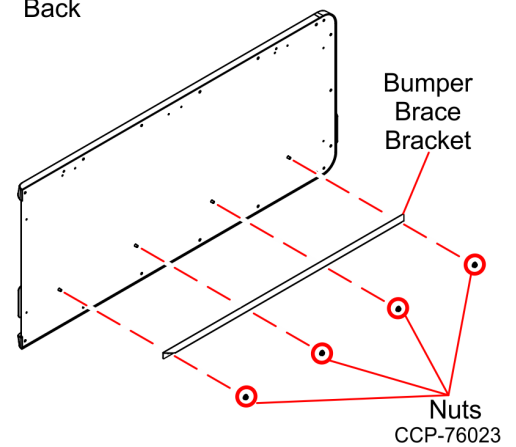
1. Remove the Back and Front Panels from the Bagwell Frame. For more information, refer to [Removing Back and Front Panels from Bagwell Frame](#) on page 22.
2. Remove Hole Cover Labels located on the lower area of the Panels. These Labels correspond to Bumper studs.
3. Install the Lower Bumper on each Panel by aligning the Bumper studs with the corresponding Panel holes and then secure at the back using lock nuts as shown in the images below.

### Back Panel

Front

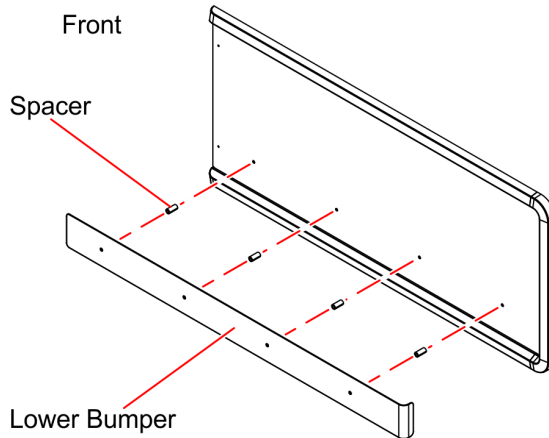


Back

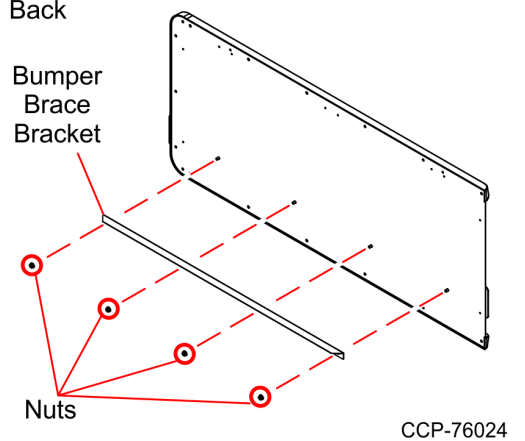


### Front Panel

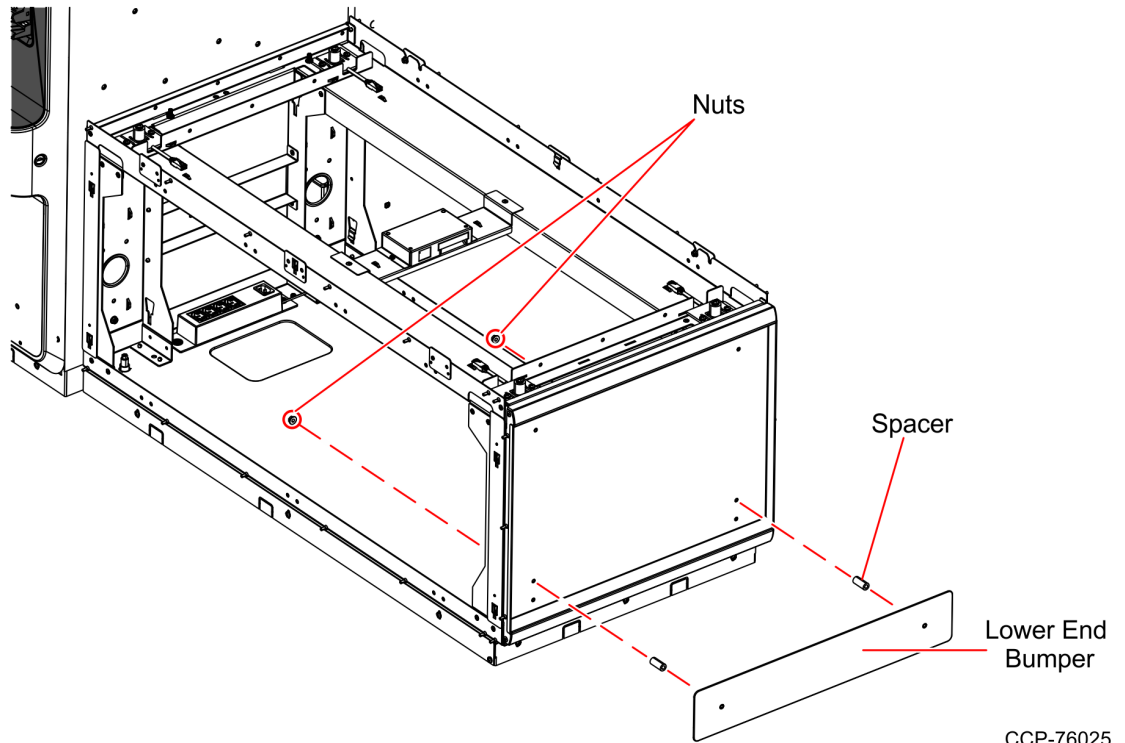
Front



Back



4. Install the Lower Bumper on the Side Panel by aligning the Bumper studs with the corresponding Panel holes and then secure at the back using lock nuts as shown in the images below.



CCP-76025

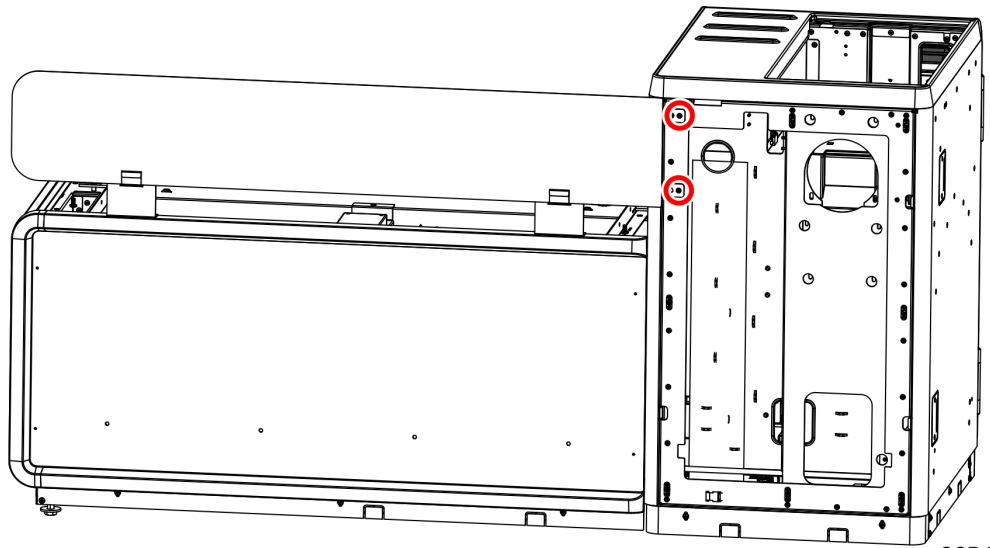
## Removing Back and Front Panels from Bagwell Frame

To remove the Back and Front Panels from the Bagwell Frame, follow these steps:



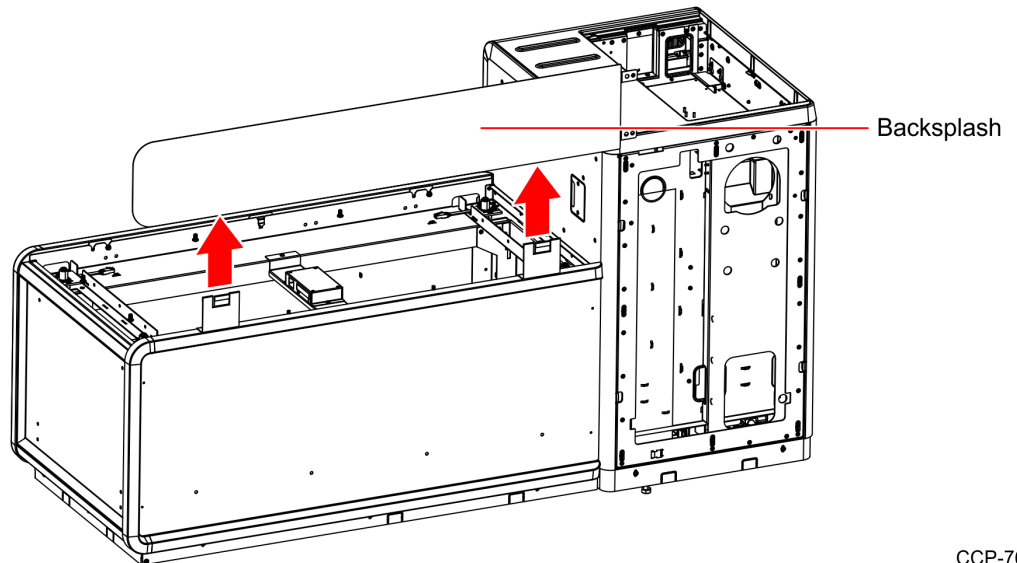
**Note:** This procedure provides instructions for installing the kit on a 3-Bag Bagwell configuration only as an example.

1. Remove the Scale Tray.
2. Remove the Backsplash by doing the following:
  - a. Remove two (2) flathead screws securing the Backsplash to the Core Frame.



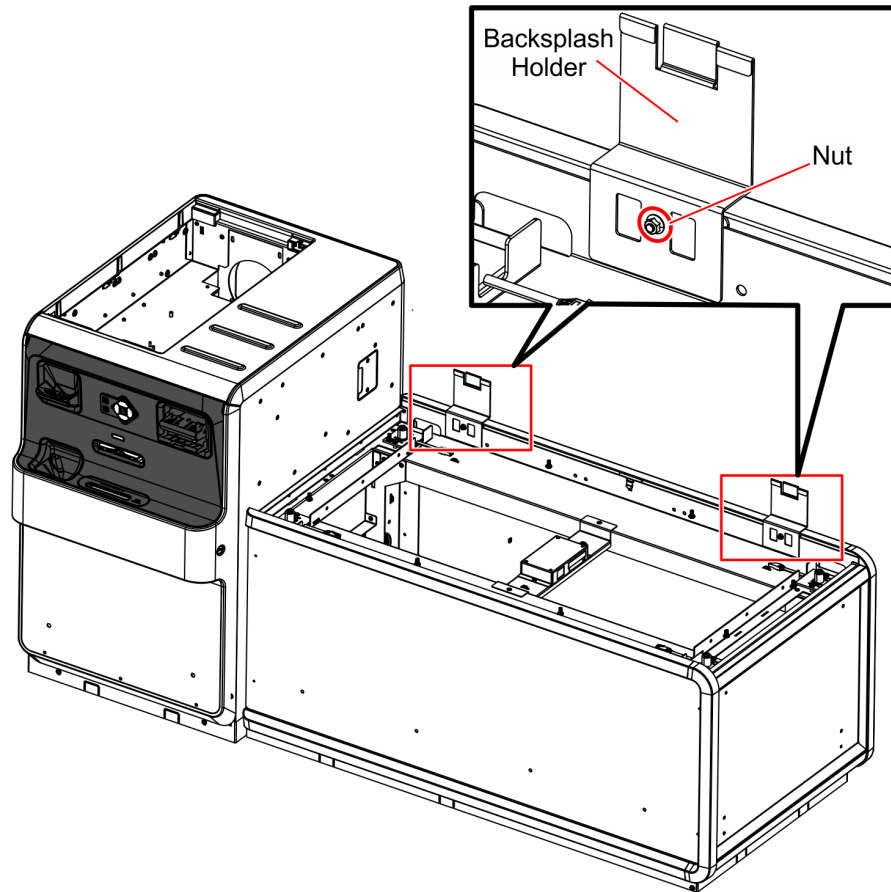
CCP-76016

- b. Lift the Backsplash from the Bagwell module.

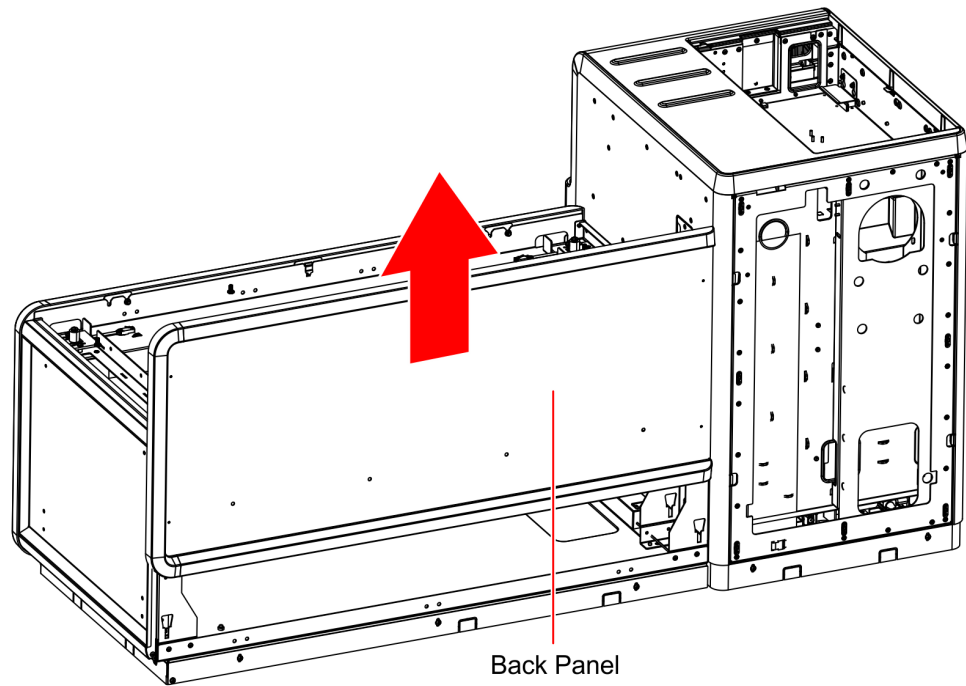


CCP-76017

3. Remove one (1) nut securing each Backsplash Holder from to the Bagwell Frame to remove each Holder.

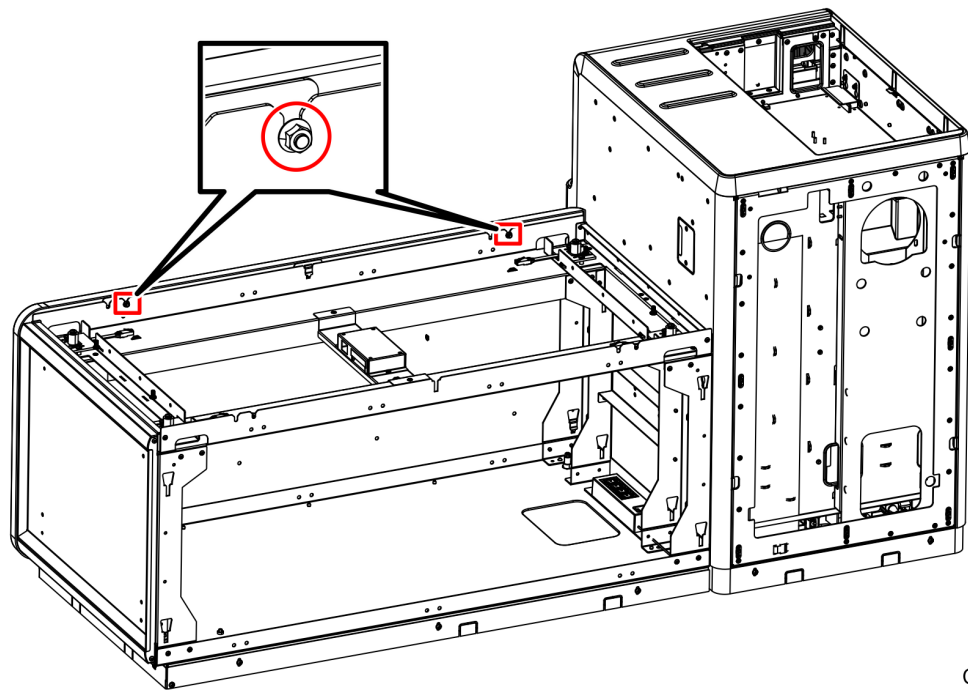


4. Lift the Back Panel from the Bagwell Frame.



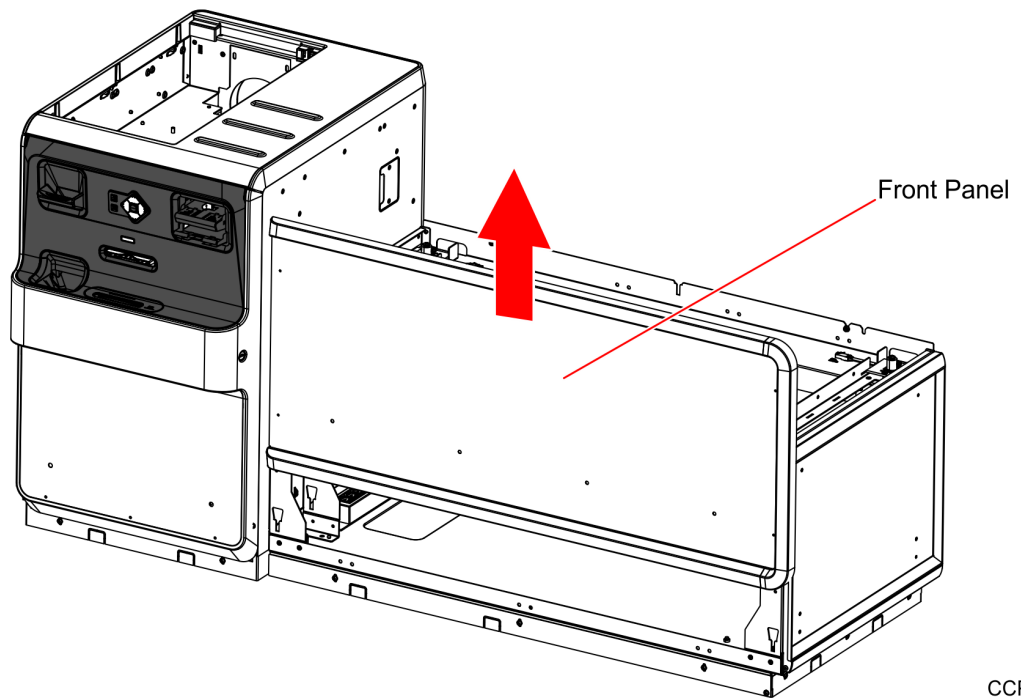
CCP-76019

5. Loosen two (2) nuts securing the Front Panel to the Bagwell Frame to disengage the Panel from the open slot.



CCP-76021

6. Lift the Front Panel from the Bagwell Frame.



CCP-76022



**Note:** To install the Back and Side Panels to the Bagwell Frame, refer to [Installing Back and Front Panels on Bagwell Frame](#) on the next page.



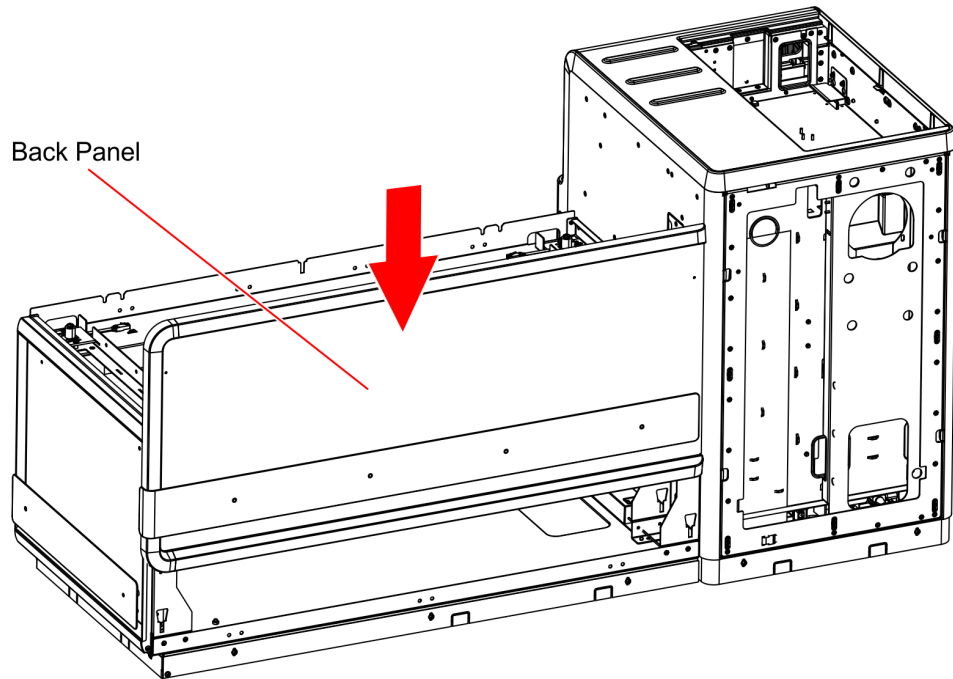
## Installing Back and Front Panels on Bagwell Frame

To install the Back and Front Panels on the Bagwell Frame, follow these steps:



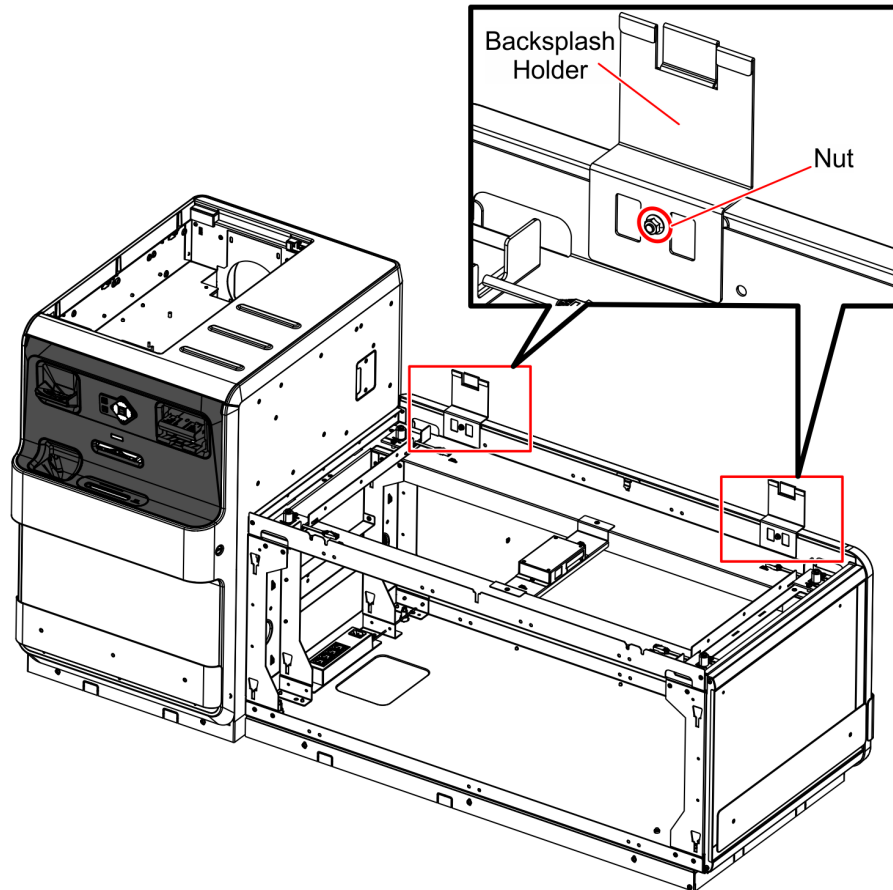
**Note:** This procedure provides instructions for installing the kit on a 3-Bag Bagwell configuration only as an example.

1. Install the Lower Bumpers on the Bagwell Panels. For more information, refer to [Installing Lower Bumpers on Bagwell](#) on page 20.
2. Insert the Back Panel to the Bagwell Frame, as shown in the image below.



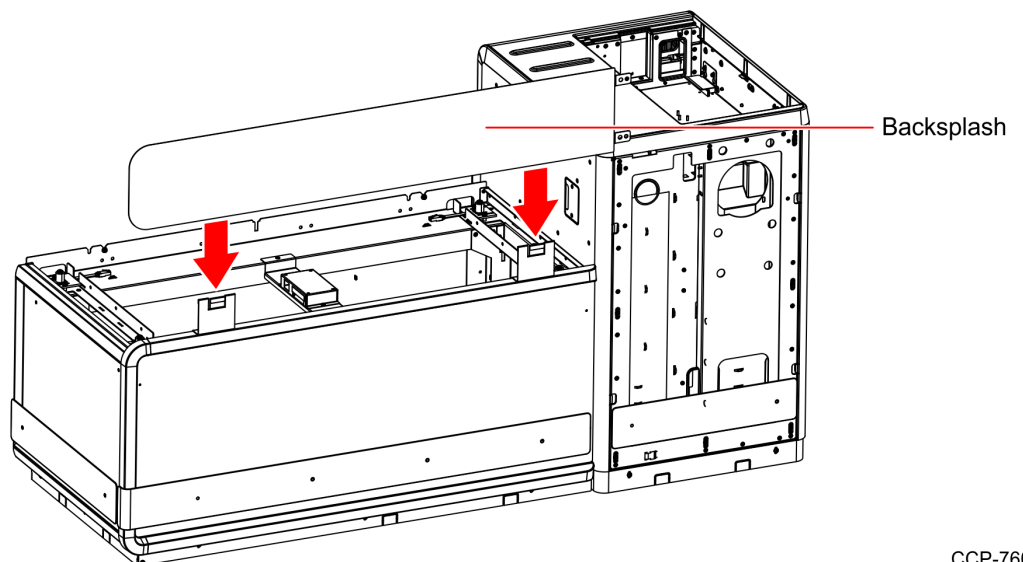
CCP-76027

3. Insert and secure each Backsplash Holder using one (1) nut to the Bagwell Frame, as shown in the image below.



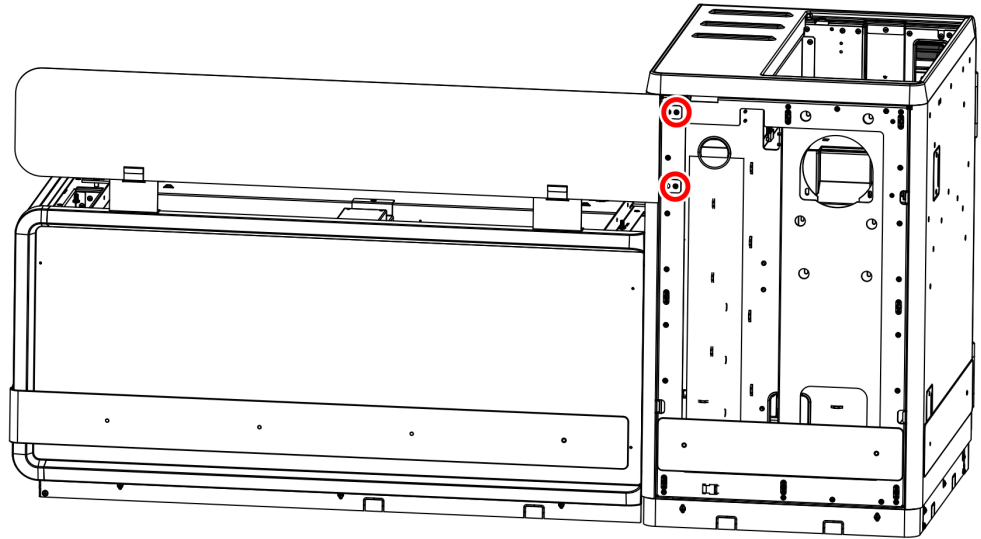
CCP-76303

4. Install the Backsplash by doing the following:
  - a. Insert the Backsplash into the Backsplash Holder slot, as shown in the image below.



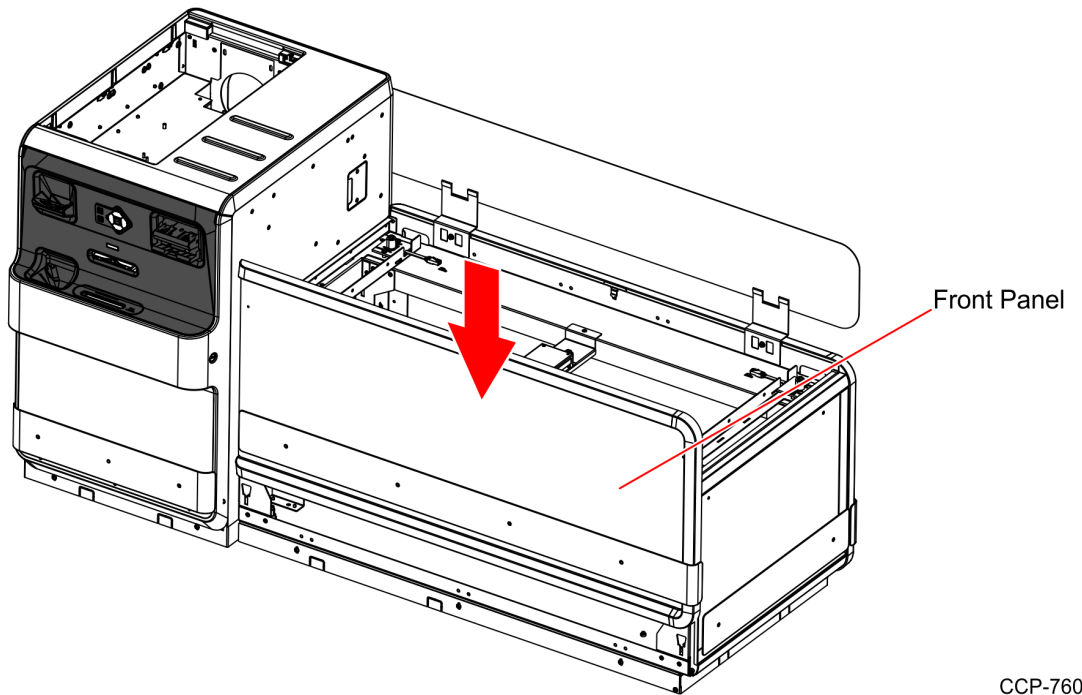
CCP-76028

- b. Secure the Backsplash to the Core Frame using two (2) flathead screws.



CCP-76029

- 5. Insert the Front Panel into the Core Frame.



CCP-76030

6. Tighten two nuts to secure the Front Panel to the Bagwell frame.

