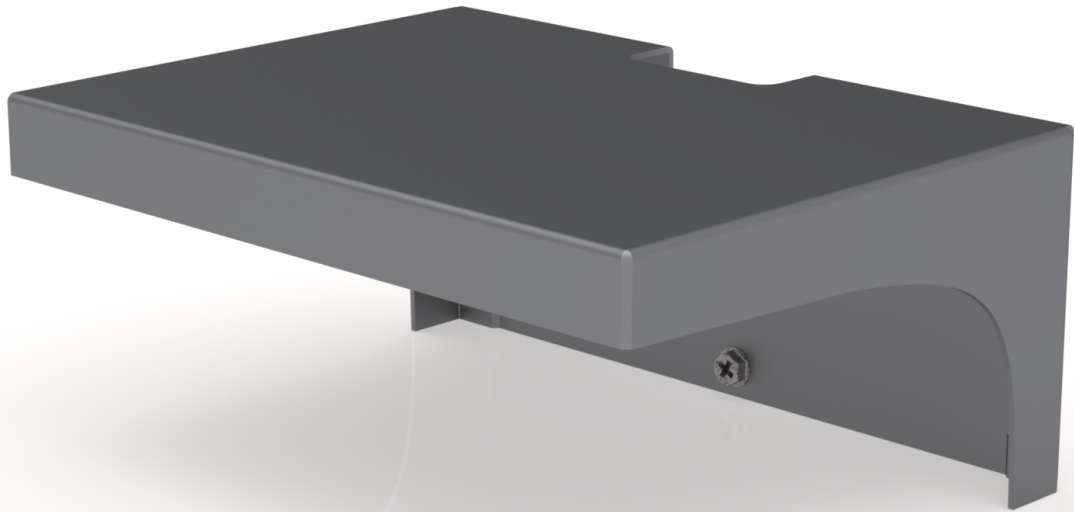


Kit Instructions

Printer Shelf (Catalina)



7360-K552
Issue A



The product described in this document is a licensed product of NCR Corporation.

NCR is a registered trademark of NCR Corporation. NCR FastLane SelfServ™ Checkout is a trademark of NCR Corporation in the United States and/or other countries. Other product names mentioned in this publication may be trademarks or registered trademarks of their respective companies and are hereby acknowledged.

The terms HDMI and HDMI High-Definition Multimedia Interface, and the HDMI Logo are trademarks or registered trademarks of HDMI Licensing LLC in the United States and other countries.

Where creation of derivative works, modifications or copies of this NCR copyrighted documentation is permitted under the terms and conditions of an agreement you have with NCR, NCR's copyright notice must be included.

It is the policy of NCR Corporation (NCR) to improve products as new technology, components, software, and firmware become available. NCR, therefore, reserves the right to change specifications without prior notice.

All features, functions, and operations described herein may not be marketed by NCR in all parts of the world. In some instances, photographs are of equipment prototypes. Software screen images are representative, and in some cases, may not match a customer's installed software exactly. Therefore, before using this document, consult with your NCR representative or NCR office for information that is applicable and current.

To maintain the quality of our publications, we need your comments on the accuracy, clarity, organization, and value of this book. Please use the link below to send your comments.

Email: FD230036@ncr.com

Copyright © 2020
By NCR Corporation
864 Spring St. NW
Atlanta, GA 30308
United States
All Rights Reserved

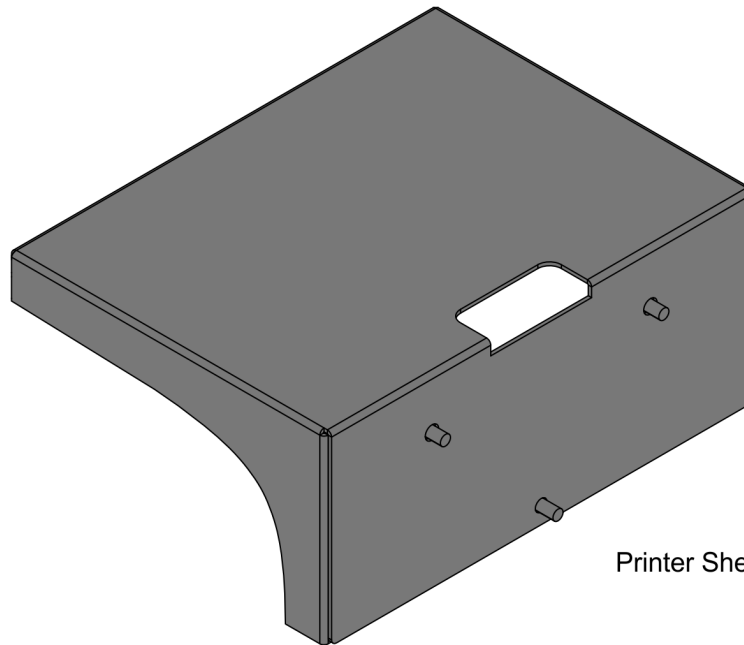
Revision Record

Issue	Date	Remarks
A	Oct 2020	First Issue

Printer Shelf (Catalina)

This publication provides procedures for installing a Printer Shelf (Catalina) to the NCR FastLane SelfServ™ Checkout (7360).

Kit Contents

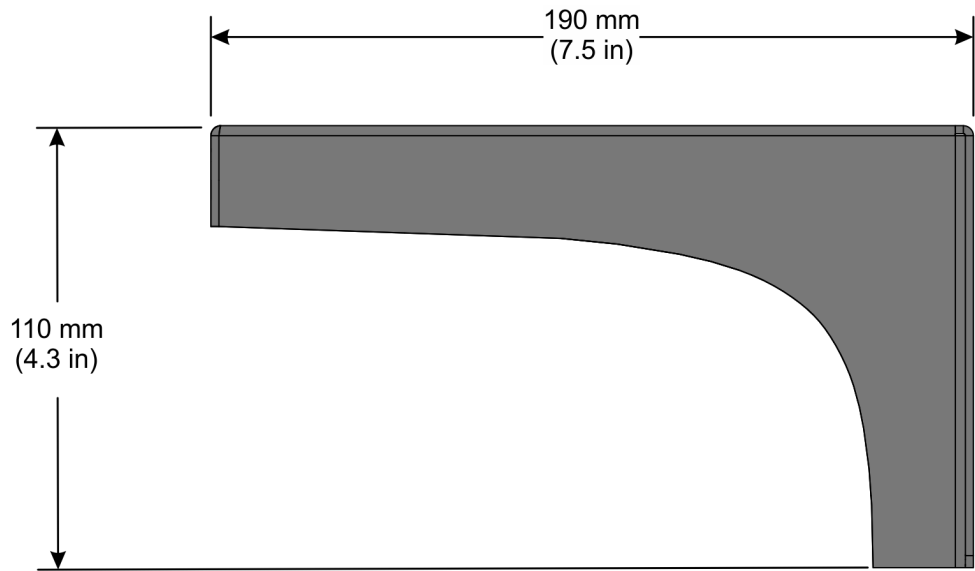


Printer Shelf (Catalina)

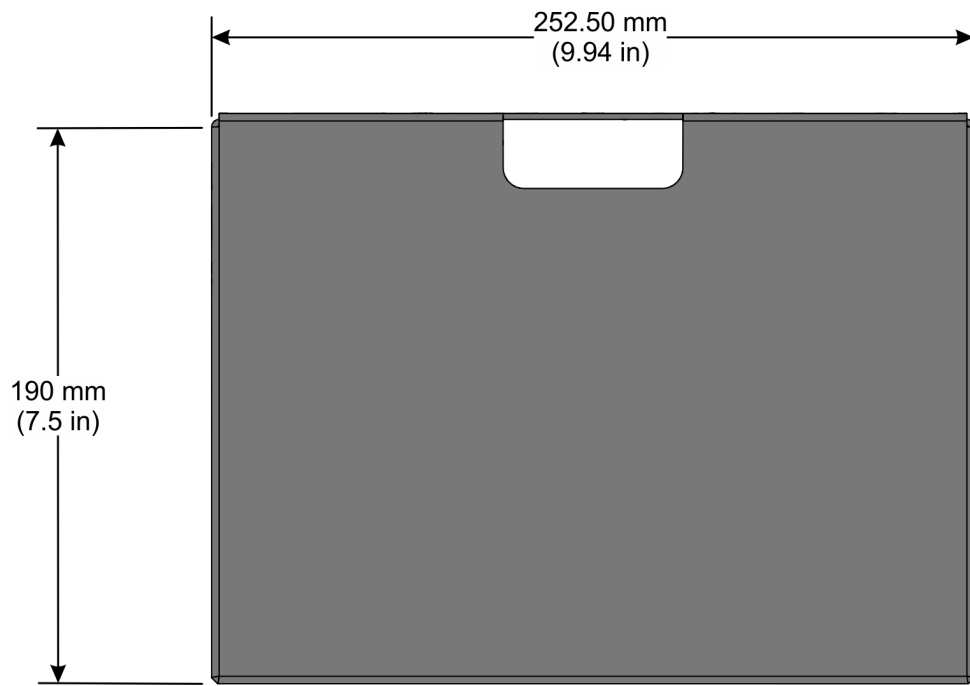
CCP-79725

Part Number	Description
497-0528527	Printer Shelf (Catalina) Kit
009-0006599	Screw Hex M6 X 12 MC Comb
497-0528526	Printer Shelf (Catalina)

Dimensions



CCP-79730

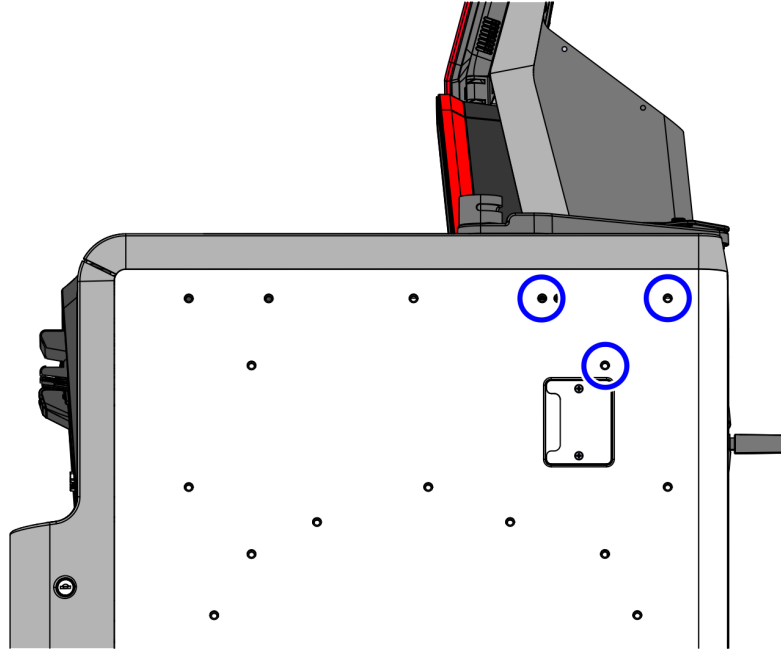


CCP-79731

Installation Procedure

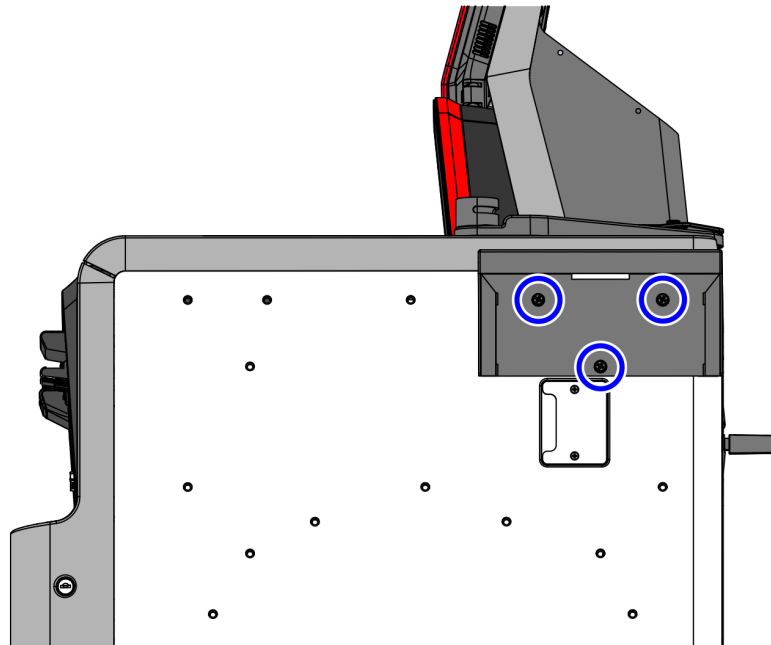
To install the Printer Shelf (Catalina), follow these steps:

1. Insert three (3) screws into the side of the Core as an alignment guide.



CCP-79726

2. Mount the Printer Shelf (Catalina) onto the alignment screws.



CCP-79727

3. Tighten all three screws to secure the Printer Shelf to the unit.

