

Kit Instructions

Printer Shelf

7360-K550
Issue C



The product described in this document is a licensed product of NCR Corporation.

NCR is a registered trademark of NCR Corporation. NCR FastLane SelfServ™ Checkout is a trademark of NCR Corporation in the United States and/or other countries. Other product names mentioned in this publication may be trademarks or registered trademarks of their respective companies and are hereby acknowledged.

The terms HDMI and HDMI High-Definition Multimedia Interface, and the HDMI Logo are trademarks or registered trademarks of HDMI Licensing LLC in the United States and other countries.

Where creation of derivative works, modifications or copies of this NCR copyrighted documentation is permitted under the terms and conditions of an agreement you have with NCR, NCR's copyright notice must be included.

It is the policy of NCR Corporation (NCR) to improve products as new technology, components, software, and firmware become available. NCR, therefore, reserves the right to change specifications without prior notice.

All features, functions, and operations described herein may not be marketed by NCR in all parts of the world. In some instances, photographs are of equipment prototypes. Therefore, before using this document, consult with your NCR representative or NCR office for information that is applicable and current.

To maintain the quality of our publications, we need your comments on the accuracy, clarity, organization, and value of this book. Please use the link below to send your comments.

EMail: FD230036@ncr.com

Copyright © 2016-2018
By NCR Corporation
Duluth, GA U.S.A.
All Rights Reserved

Revision Record

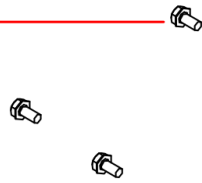
Issue	Date	Remarks
A	Sep 2016	First issue.
B	Jun 2017	Updated IP PDF template.
C	Jan 2018	Added Dimensions on the Printer Shelf Art-work under Kit Contents

Printer Shelf

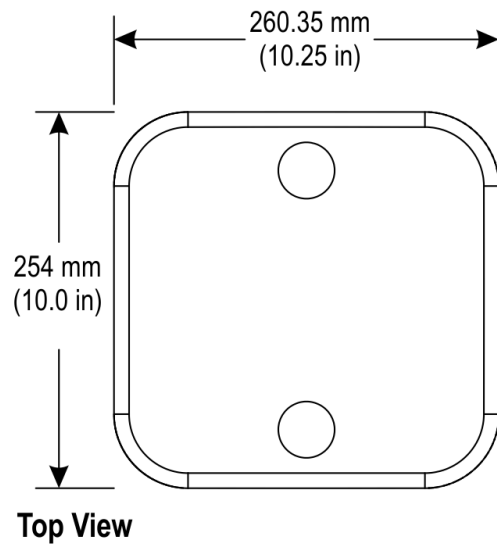
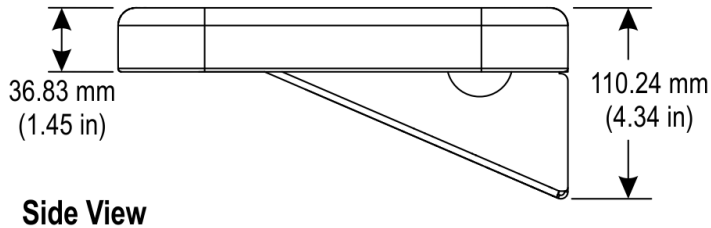
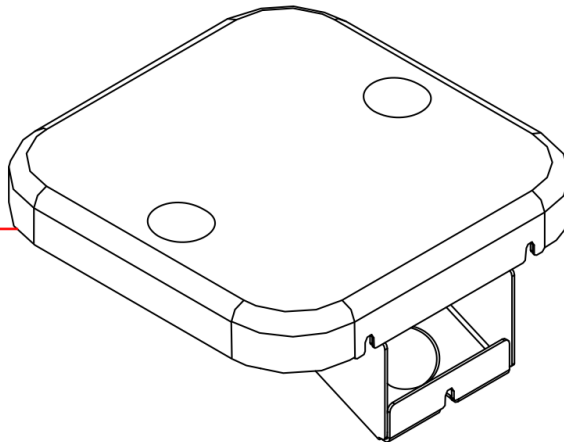
This kit contains the components to add a Printer Shelf to the NCR FastLane SelfServ™ Checkout 7360.

Kit Contents

Screw, M6 x 12,
Machine Combi Pozi

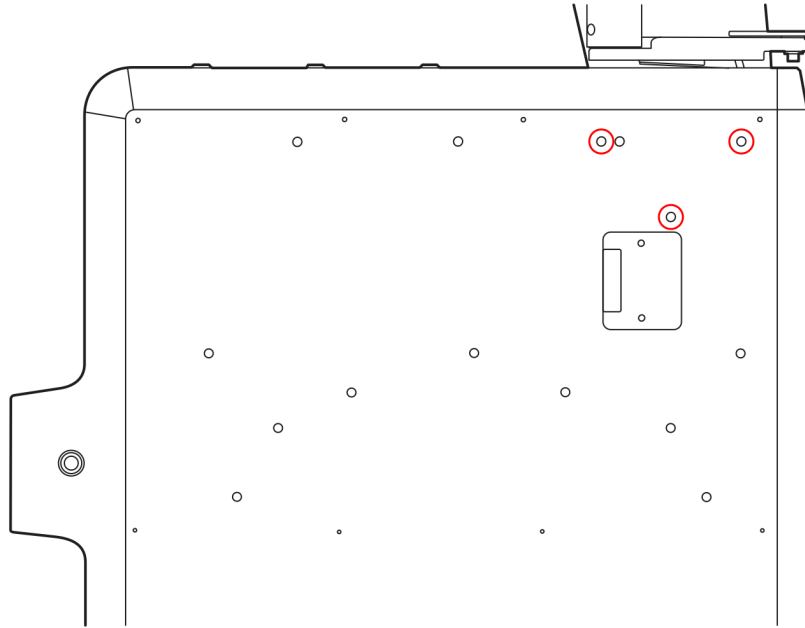


Printer Shelf



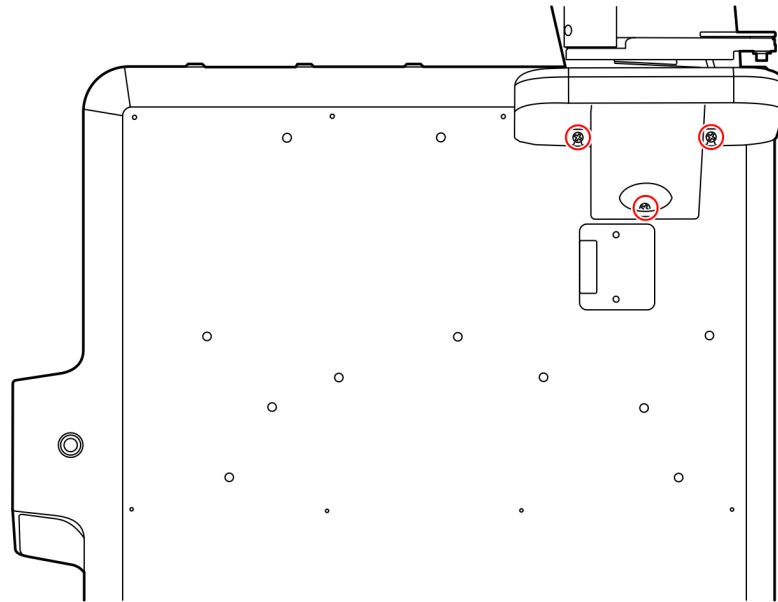
Installation Procedure

1. Insert three screws into the side of the Core as an alignment guide. Leave at least $\frac{1}{4}$ inch of the screw threads visible.



CCP-61568

2. Align the Printer Shelf over the alignment screws and then slide the Shelf down onto the screws.



CCP-61569

3. Tighten all three screws to secure the Printer Shelf to the unit.