

Kit Instructions

Basket Over Bagrack

7360-K509
Issue B



The product described in this document is a licensed product of NCR Corporation.

NCR is a registered trademark of NCR Corporation. NCR FastLane SelfServ™ Checkout is a trademark of NCR Corporation in the United States and/or other countries. Other product names mentioned in this publication may be trademarks or registered trademarks of their respective companies and are hereby acknowledged.

The terms HDMI and HDMI High-Definition Multimedia Interface, and the HDMI Logo are trademarks or registered trademarks of HDMI Licensing LLC in the United States and other countries.

Where creation of derivative works, modifications or copies of this NCR copyrighted documentation is permitted under the terms and conditions of an agreement you have with NCR, NCR's copyright notice must be included.

It is the policy of NCR Corporation (NCR) to improve products as new technology, components, software, and firmware become available. NCR, therefore, reserves the right to change specifications without prior notice.

All features, functions, and operations described herein may not be marketed by NCR in all parts of the world. In some instances, photographs are of equipment prototypes. Therefore, before using this document, consult with your NCR representative or NCR office for information that is applicable and current.

To maintain the quality of our publications, we need your comments on the accuracy, clarity, organization, and value of this book. Please use the link below to send your comments.

Email: FD230036@ncr.com

Copyright © 2017
By NCR Corporation
Duluth, GA U.S.A.
All Rights Reserved

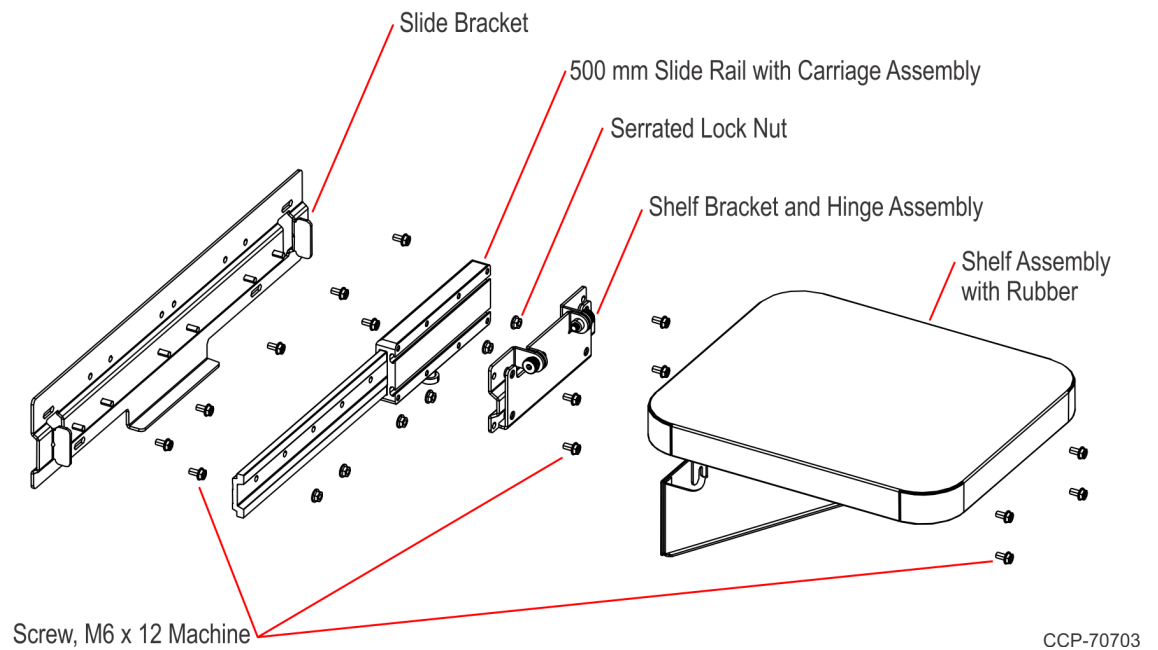
Revision Record

Issue	Date	Remarks
A	Mar 2017	First issue.
B	Jun 2017	Updated IP PDF template.

Basket Over Bagrack

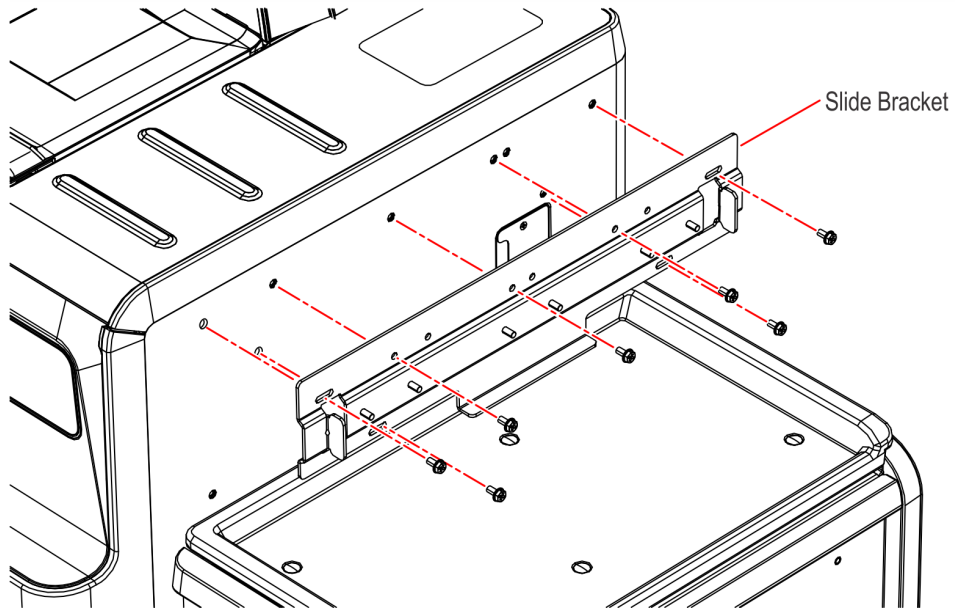
This kit contains the components to add a Basket Shelf to the NCR FastLane SelfServ™ Checkout 7360. This kit can be used with a Bagrack.

Kit Contents



Installation Procedure

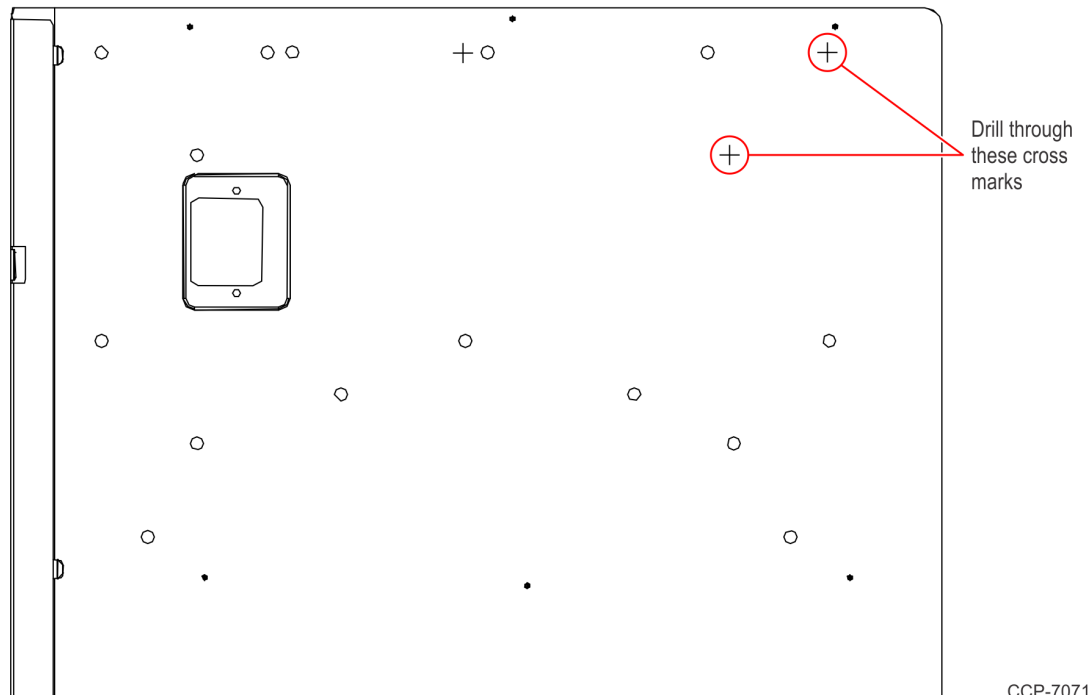
1. Install the Slide Bracket on the Core (7 screws).



CCP-70704



Note: If some mounting holes are inaccessible, remove the color panel and drill 9 mm holes through the cross marks shown below. The cross marks are located at the back of the panel.

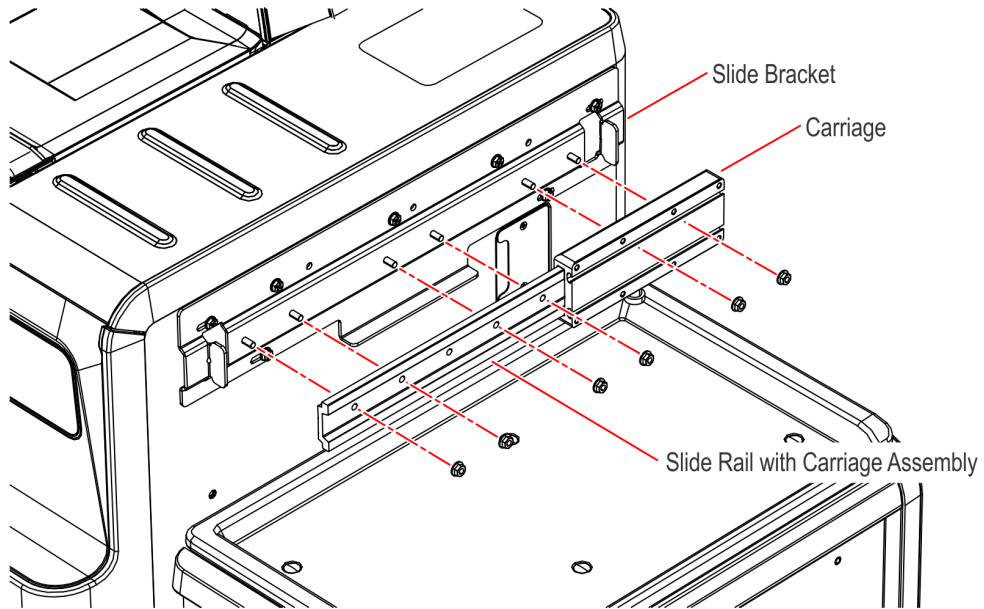


CCP-70712

2. Align the Slide Rail with Carriage Assembly on the studs of the Slide Bracket and secure with six (6) serrated lock nuts.

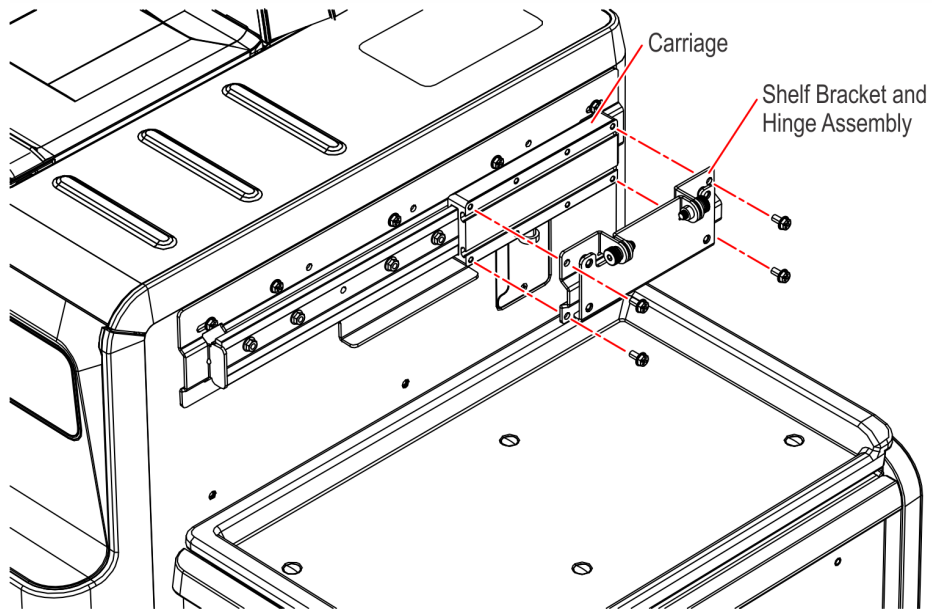


Note: The studs can be accessed by sliding the Carriage along the Slide Rail.



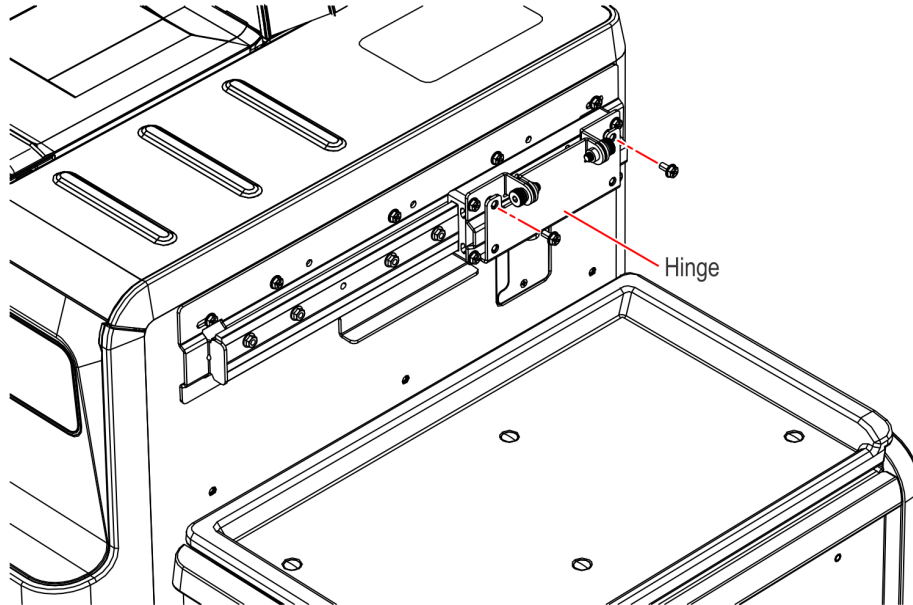
CCP-70705

3. Install the Shelf Bracket and Hinge Assembly on the Carriage (4 screws).



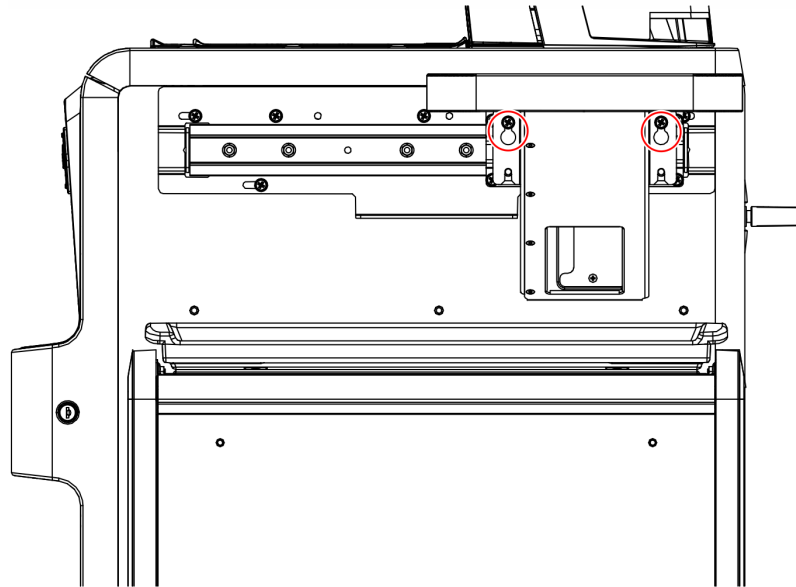
CCP-70706

4. Install the Shelf on the Hinge.
 - a. Slide the Shelf Bracket and Hinge Assembly to end of the Slide Rail that is farthest from the front of the Core.
 - b. Partially thread screws on the two upper holes of the Hinge.



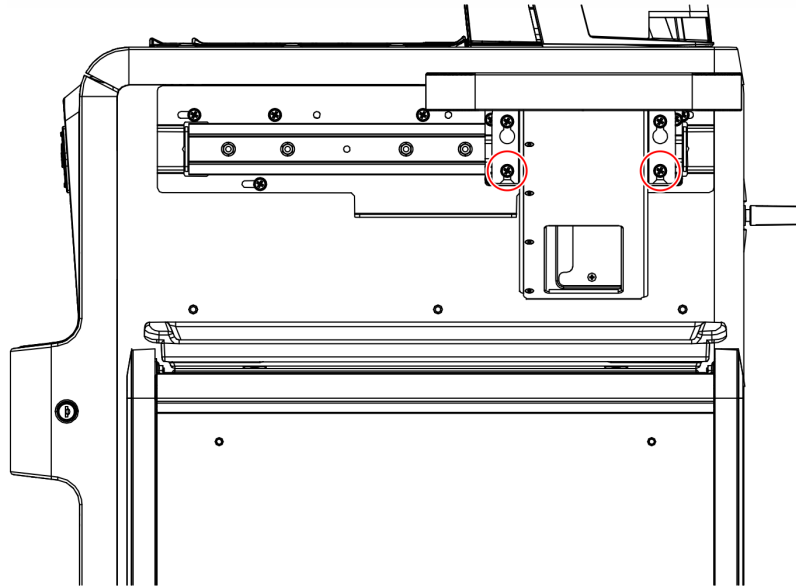
CCP-70707

- c. Align the Shelf Assembly key holes over the partially threaded screws and then slide the Shelf down onto the screws. Tighten the screws.



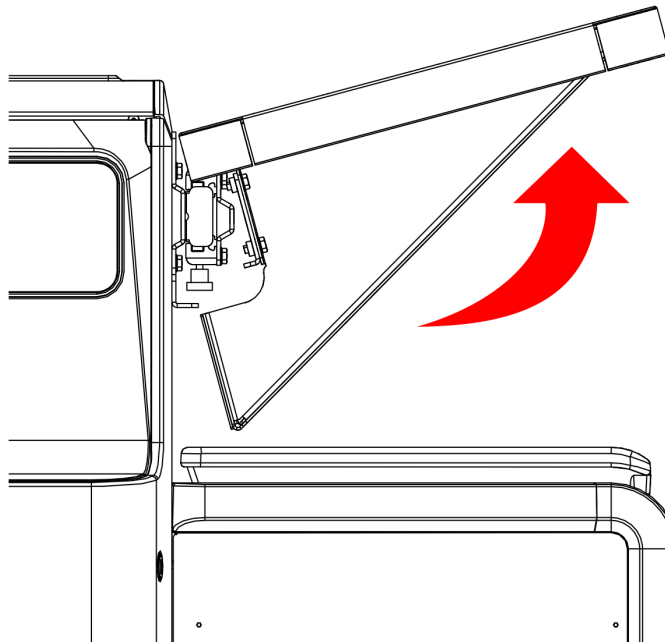
CCP-70708

- d. Install two (2) screws on the lower holes to secure the Shelf Assembly on the Hinge.



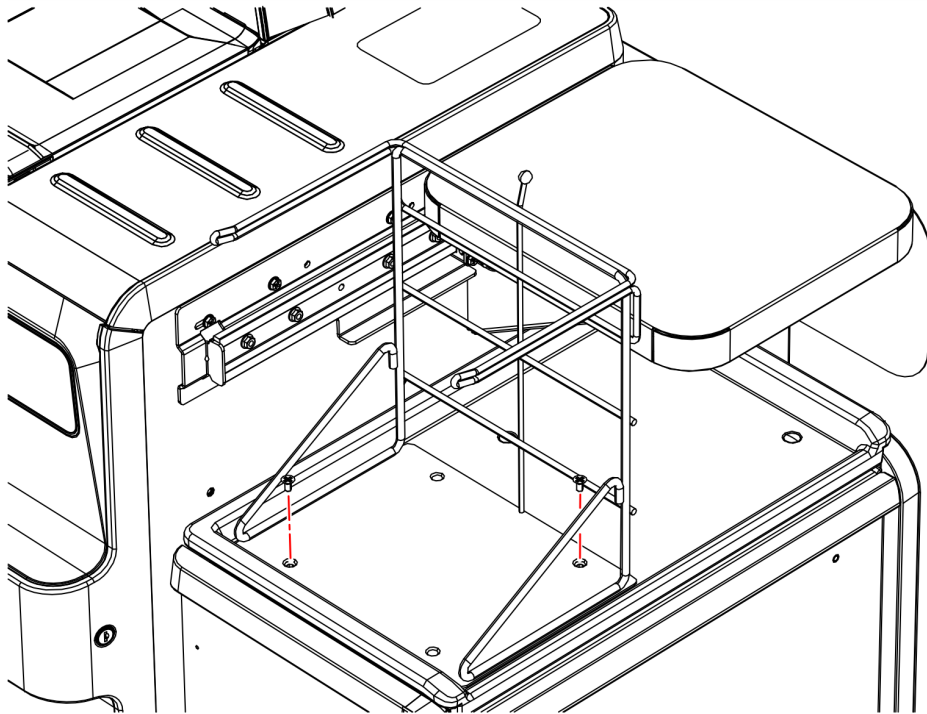
CCP-70709

- e. If the NCR Fastlane SelfServ™ Checkout (7360) unit's orientation is converted from self-checkout mode to assisted service mode, slightly lift the Shelf and slide it to the other end of the Slide Rail.



CCP-70710

5. Install the Bagrack in front of the Shelf.



CCP-70711