

# Kit Instructions

## Basket Shelf (Scantop)



7360-K501  
Issue A



The product described in this document is a licensed product of NCR Corporation.

NCR is a registered trademark of NCR Corporation. NCR FastLane SelfServ™ Checkout is a trademark of NCR Corporation in the United States and/or other countries. Other product names mentioned in this publication may be trademarks or registered trademarks of their respective companies and are hereby acknowledged.

The terms HDMI and HDMI High-Definition Multimedia Interface, and the HDMI Logo are trademarks or registered trademarks of HDMI Licensing LLC in the United States and other countries.

Where creation of derivative works, modifications or copies of this NCR copyrighted documentation is permitted under the terms and conditions of an agreement you have with NCR, NCR's copyright notice must be included.

It is the policy of NCR Corporation (NCR) to improve products as new technology, components, software, and firmware become available. NCR, therefore, reserves the right to change specifications without prior notice.

All features, functions, and operations described herein may not be marketed by NCR in all parts of the world. In some instances, photographs are of equipment prototypes. Therefore, before using this document, consult with your NCR representative or NCR office for information that is applicable and current.

Copyright © 2022  
By NCR Corporation  
864 Spring St. NW  
Atlanta, GA 30308  
United States  
All Rights Reserved

---

## Revision Record

Issue	Date	Remarks
A	Mar 2022	First issue.

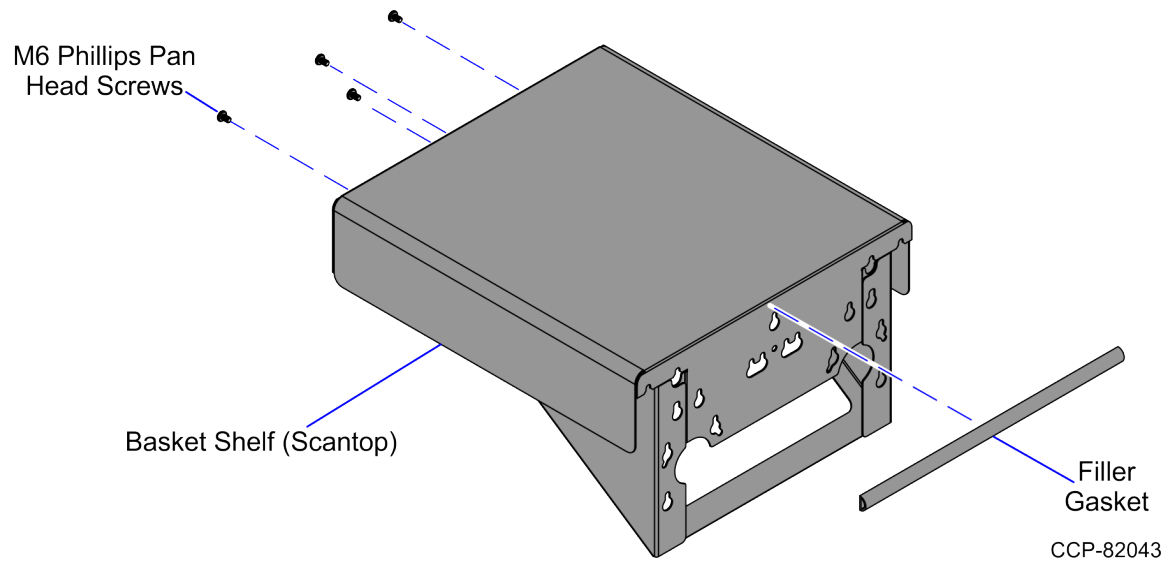
---

# Basket Shelf (Scantop)

---

This publication provides procedures for installing the Basket Shelf (Scantop) to a SCO 6 Modular Full Function (7360) unit.

## Kit Contents



Part Number	Description
497-0532731	7360-K501 Input Shelf (Scantop)
006-8628189	Modular Full Function Input Shelf Filler Gasket
006-8626419	Screw, M6 x 1 x 10 mm, Phillips Pan Head, Zinc Plated (4 pcs)
497-0531504	Input Shelf
* 497-0423108	Kit Instructions Kit (Reference Sheet)

\* Items marked with an asterisk are not called out on the image.

## Installation Procedures

The Basket Shelf (Scantop) can be installed on a SCO 6 Modular Full Function (7360) unit with or without a Power Pole Cover. For more information, refer to either of the following sections:

- [\*Installing the Basket Shelf \(Scantop\) on unit \(no Power Pole Cover\)\*](#) on the facing page.
- [\*Installing the Basket Shelf \(Scantop\) on unit \(with Power Pole Cover\)\*](#) on page 6.

## Installing the Basket Shelf (Scantop) on unit (no Power Pole Cover)

To install the Basket Shelf (Scantop) on the SelfServ Checkout unit without a Power Pole Cover, follow these steps:

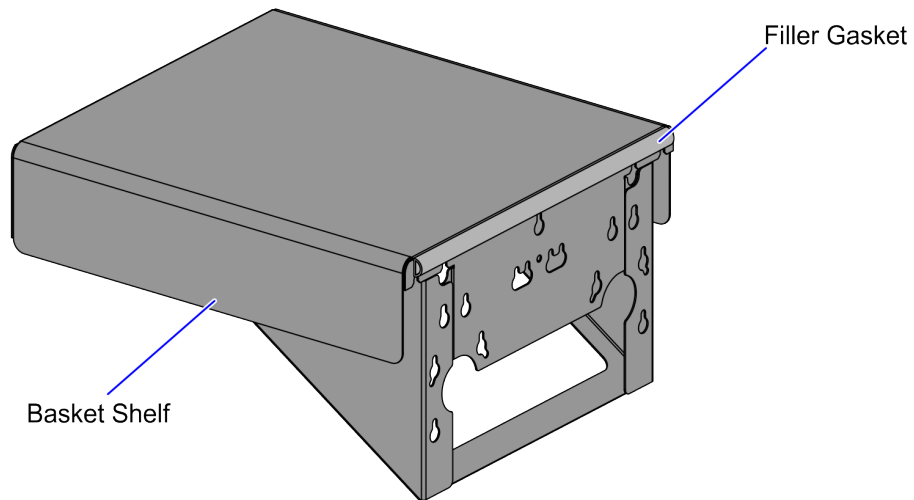


**Note:** The Basket Shelf can be installed on either a Left-hand (LH) unit or a Right-hand (RH) unit. This procedure shows how to install the shelf on a Left-hand (LH) unit only as an example.

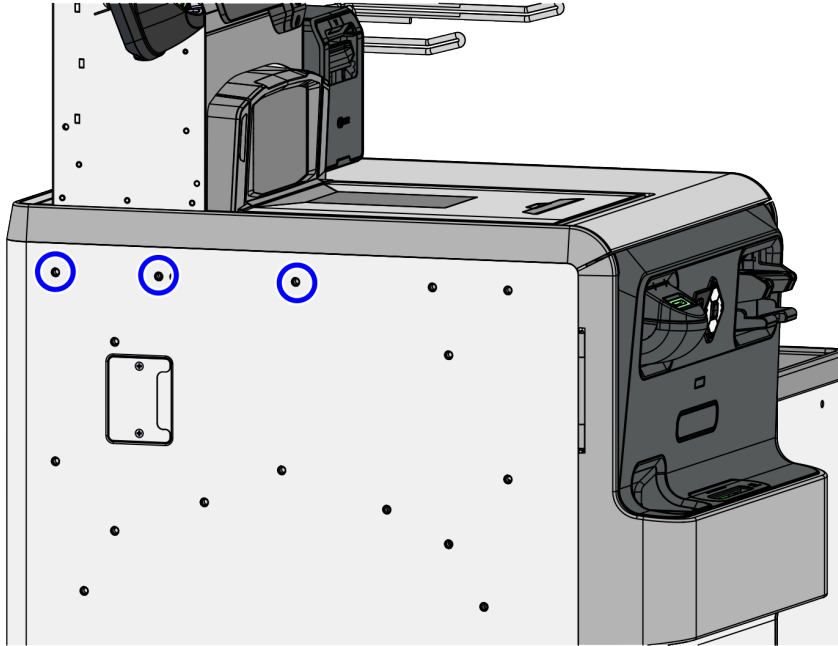
1. Install the Filler Gasket on the Basket Shelf by doing the following:
  - a. Remove the adhesive strip from the back of the Filler Gasket.
  - b. Attach the Filler Gasket to the Basket Shelf, as shown in the image below.



**Note:** Ensure that the Filler Gasket is positioned to line up with the Scanner/Scale Top Plate.

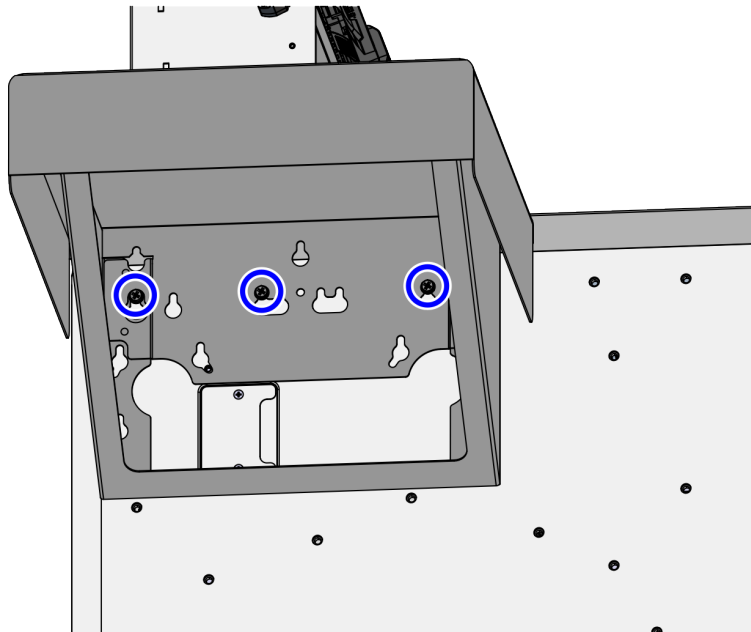


2. Insert three (3) M6 screws into the side of the Core Cabinet as an alignment guide. Leave at least  $\frac{1}{4}$  inch of the screw threads visible.



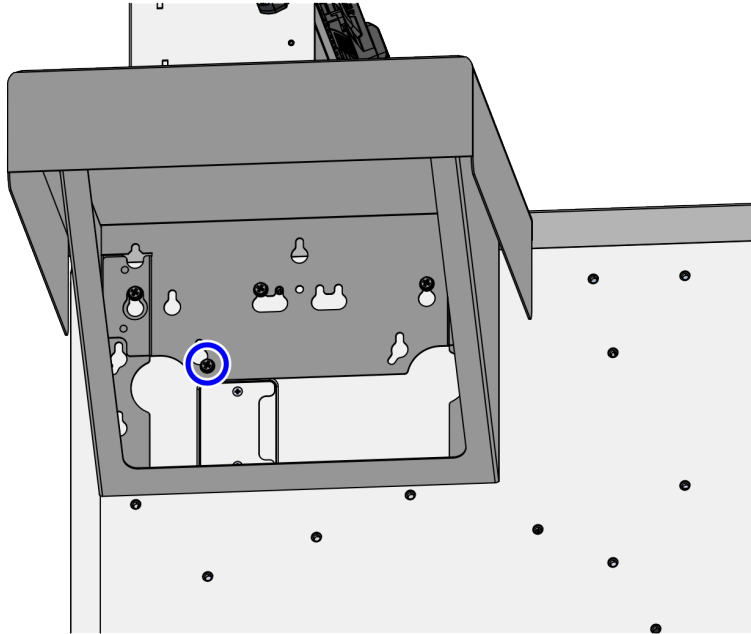
CCP-81398

3. Align the Basket Shelf over the alignment screws and then slide the shelf down onto the three (3) screws.



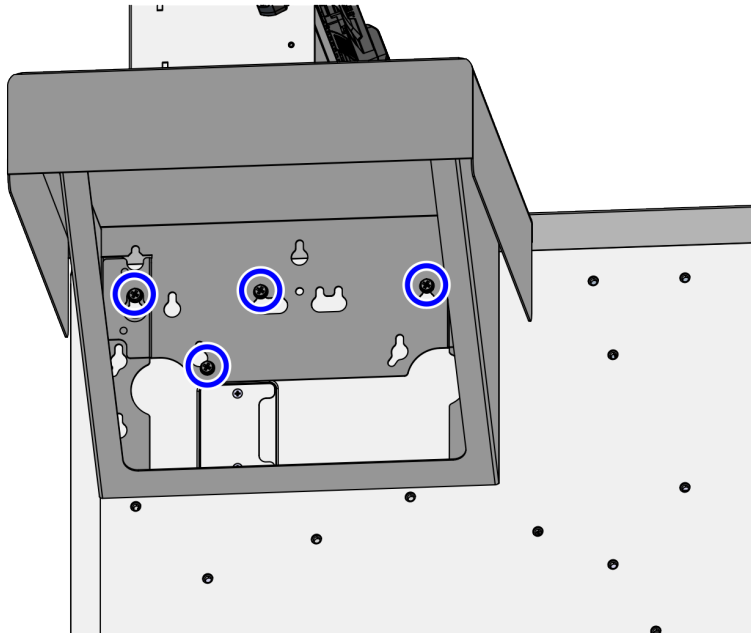
CCP-81399

4. Insert one (1) screw as shown in the image below.



CCP-81819

5. Tighten all four (4) M6 screws to secure the Basket Shelf to the unit.



CCP-81824



## Installing the Basket Shelf (Scantop) on unit (with Power Pole Cover)

To install the Basket Shelf (Scantop) on the SelfServ Checkout unit with a Power Pole Cover, follow these steps:

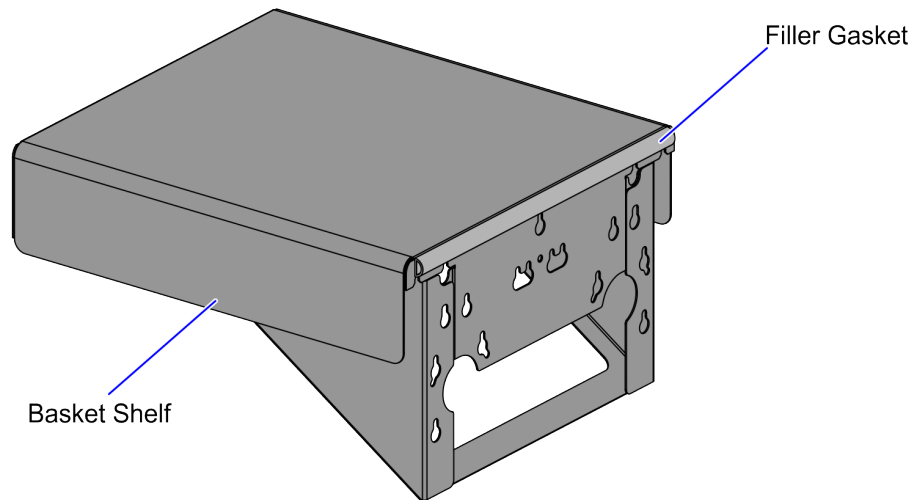


**Note:** The Basket Shelf can be installed on either a Left-hand (LH) unit or a Right-hand (RH) unit. This procedure shows how to install the shelf on a Left-hand (LH) unit only as an example.

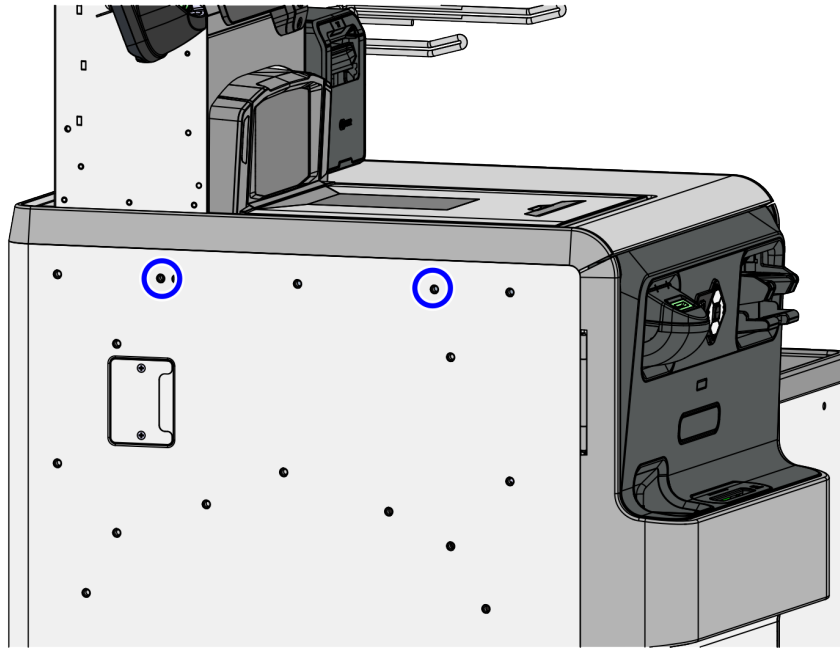
1. Install the Filler Gasket on the Basket Shelf by doing the following:
  - a. Remove the adhesive strip from the back of the Filler Gasket.
  - b. Attach the Filler Gasket to the Basket Shelf, as shown in the image below.



**Note:** Ensure that the Filler Gasket is positioned to line up with the Scanner/Scale Top Plate.

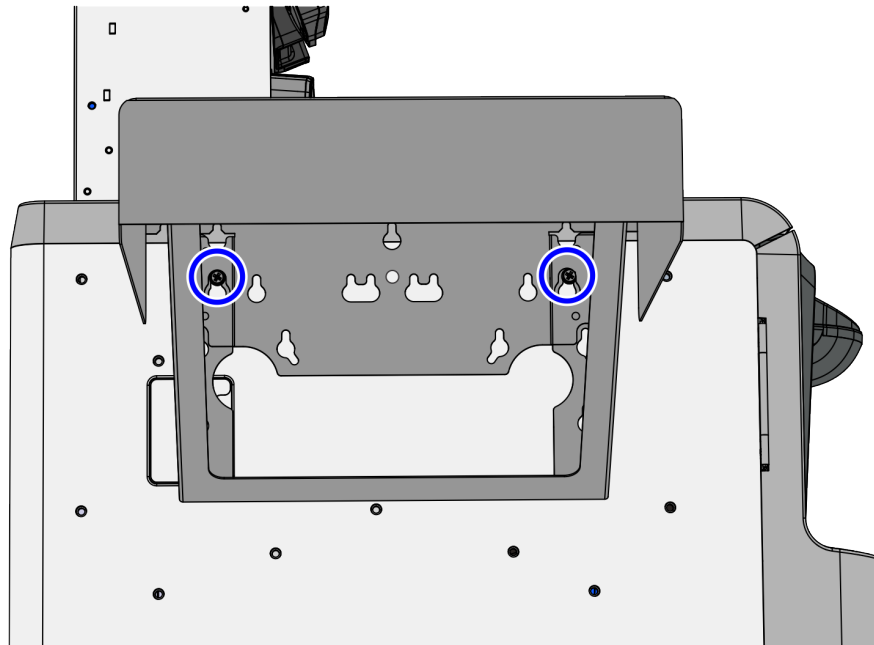


2. Insert two (2) M6 screws into the side of the Core Cabinet as an alignment guide. Leave at least  $\frac{1}{4}$  inch of the screw threads visible.



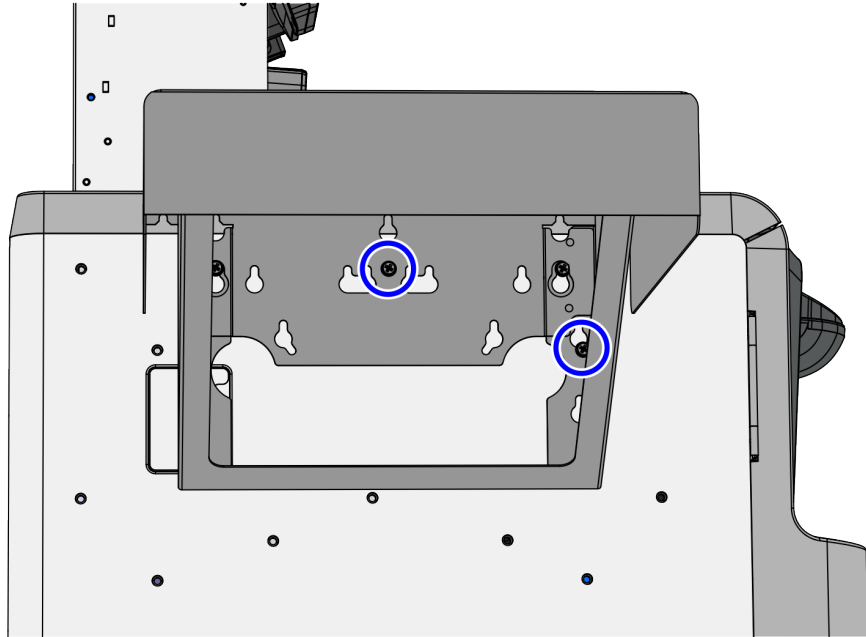
CCP-81821

3. Align the Basket Shelf over the alignment screws and then slide the shelf down onto the two (2) M6 screws.



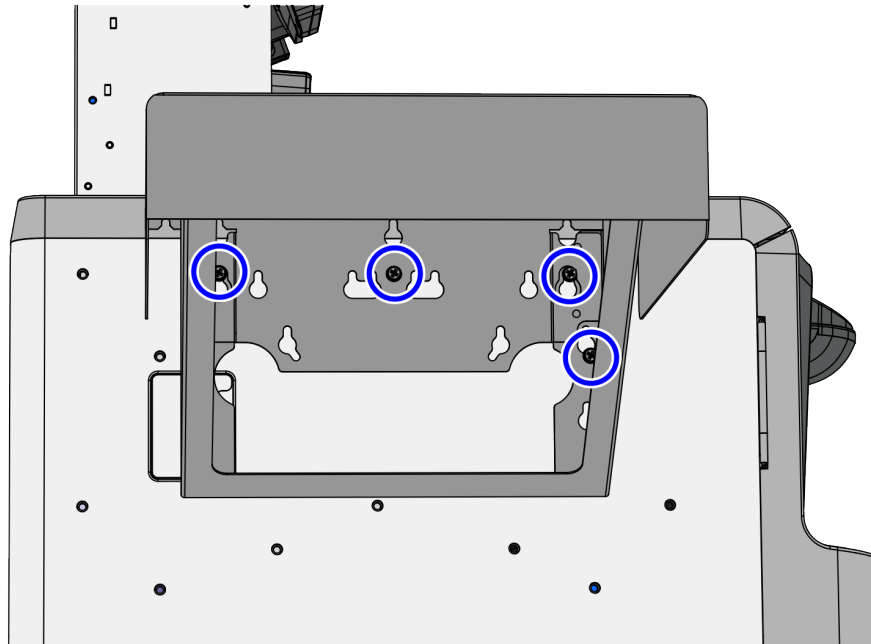
CCP-81822

4. Insert two (2) M6 screws as shown in the image below.



CCP-81823

5. Tighten all four (4) M6 screws to secure the Basket Shelf to the unit.



CCP-81820