

Kit Instructions

Basket Shelf



7360-K500
Issue C



The product described in this document is a licensed product of NCR Corporation.

NCR is a registered trademark of NCR Corporation. NCR FastLane SelfServ™ Checkout is a trademark of NCR Corporation in the United States and/or other countries. Other product names mentioned in this publication may be trademarks or registered trademarks of their respective companies and are hereby acknowledged.

The terms HDMI and HDMI High-Definition Multimedia Interface, and the HDMI Logo are trademarks or registered trademarks of HDMI Licensing LLC in the United States and other countries.

Where creation of derivative works, modifications or copies of this NCR copyrighted documentation is permitted under the terms and conditions of an agreement you have with NCR, NCR's copyright notice must be included.

It is the policy of NCR Corporation (NCR) to improve products as new technology, components, software, and firmware become available. NCR, therefore, reserves the right to change specifications without prior notice.

All features, functions, and operations described herein may not be marketed by NCR in all parts of the world. In some instances, photographs are of equipment prototypes. Therefore, before using this document, consult with your NCR representative or NCR office for information that is applicable and current.

To maintain the quality of our publications, we need your comments on the accuracy, clarity, organization, and value of this book. Please use the link below to send your comments.

EMail: FD230036@ncr.com

Copyright © 2016-2021
By NCR Corporation
864 Spring St. NW
Atlanta, GA 30308
United States
All Rights Reserved

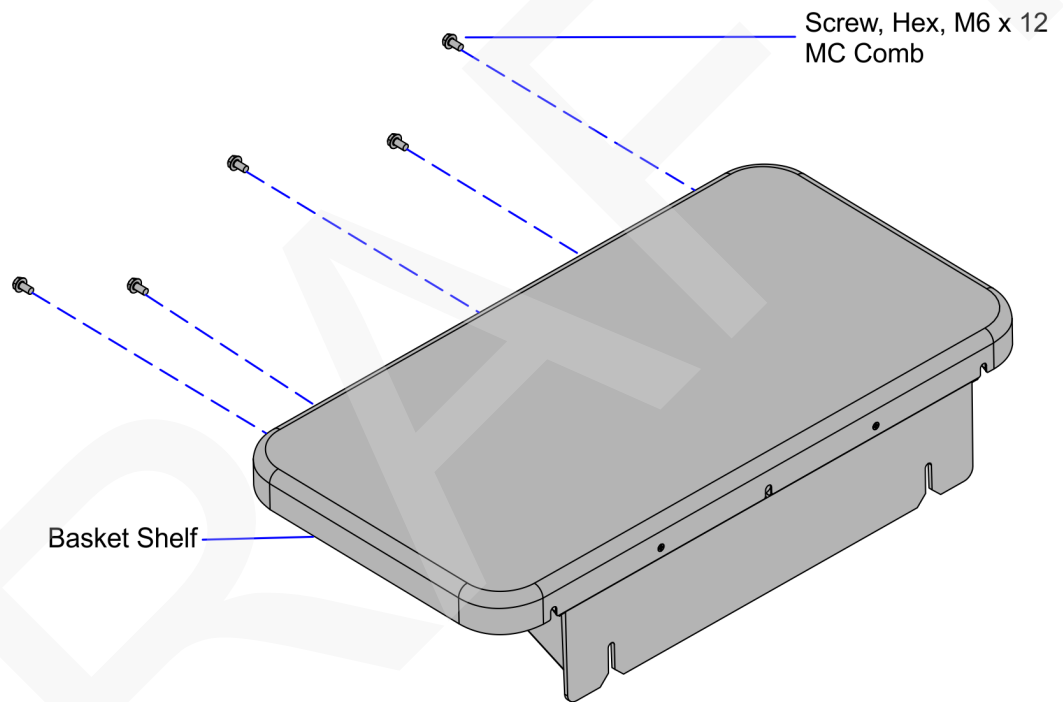
Revision Record

Issue	Date	Remarks
A	Sep 2016	First issue.
B	Jun 2017	Updated IP PDF template.
C	May 2021	Updated Kit Contents.

Basket Shelf

This kit contains the components to add a Basket Shelf to the NCR FastLane SelfServ™ Checkout 7360.

Kit Contents

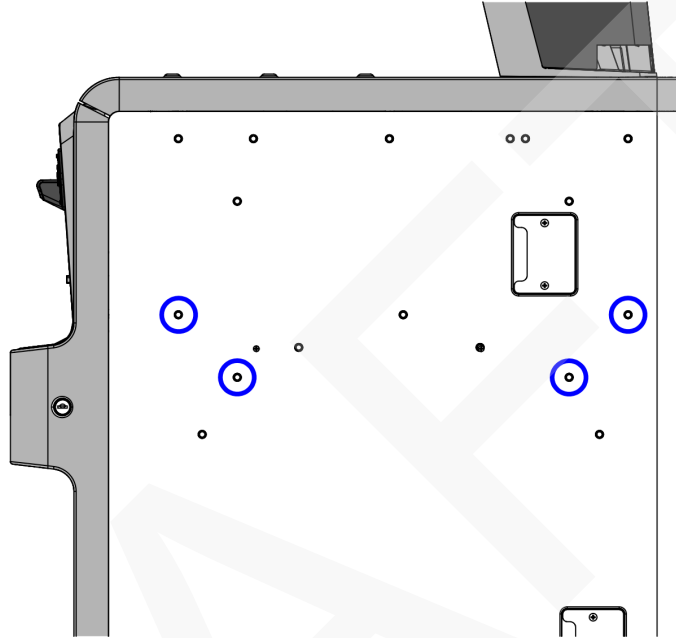


CCP-61566

Part Number	Description
497-0518754	7360-K500 Input Shelf Kit
497-0528037	Input Shelf Frame
009-0006599	Screw, Hex, M6 x 12 MC Comb (5 pcs)

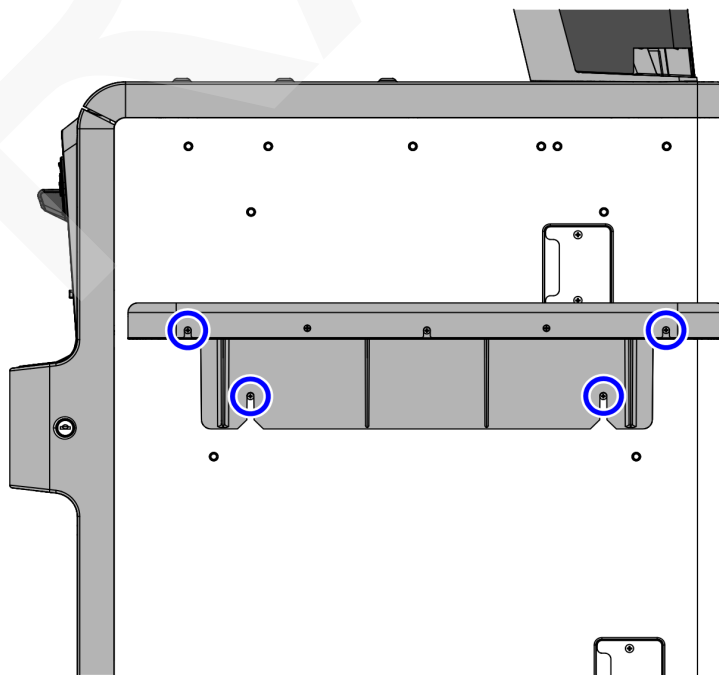
Installation Procedure

1. Insert four (4) screws into the side of the Core as an alignment guide. Leave at least $\frac{1}{4}$ inch of the screw threads visible.



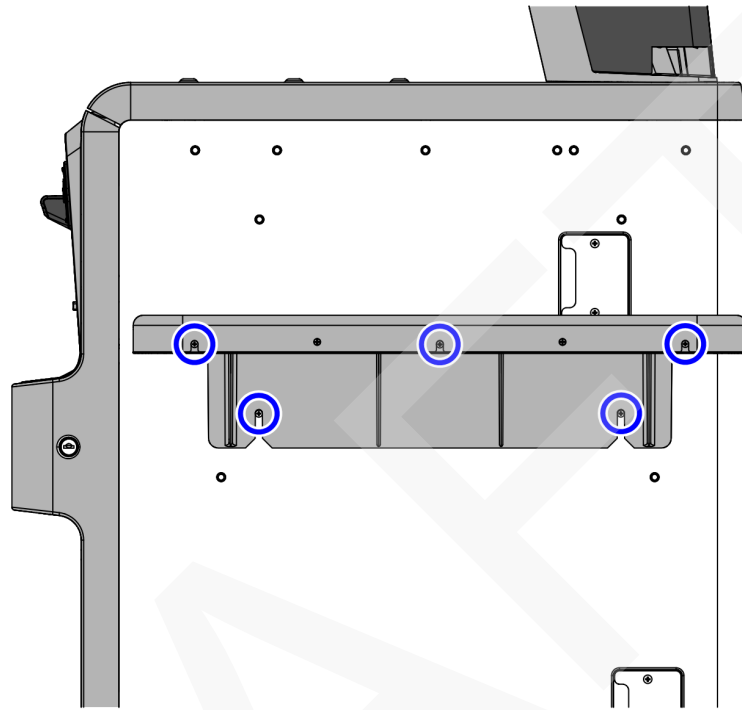
CCP-61147

2. Align the Basket Shelf over the alignment screws and then slide the Shelf down onto the screws.



CCP-61148

3. Insert one (1) screw into the middle of the Basket Shelf, as shown in the image below.



CCP-80304

4. Tighten all five (5) screws to secure the Basket Shelf to the unit.