

# Kit Instructions

## 3-Bag Bagwell Skirt



7360-K493  
Issue A



The product described in this document is a licensed product of NCR Corporation.

NCR is a registered trademark of NCR Corporation. NCR FastLane SelfServ™ Checkout is a trademark of NCR Corporation in the United States and/or other countries. Other product names mentioned in this publication may be trademarks or registered trademarks of their respective companies and are hereby acknowledged.

The terms HDMI and HDMI High-Definition Multimedia Interface, and the HDMI Logo are trademarks or registered trademarks of HDMI Licensing LLC in the United States and other countries.

Where creation of derivative works, modifications or copies of this NCR copyrighted documentation is permitted under the terms and conditions of an agreement you have with NCR, NCR's copyright notice must be included.

It is the policy of NCR Corporation (NCR) to improve products as new technology, components, software, and firmware become available. NCR, therefore, reserves the right to change specifications without prior notice.

All features, functions, and operations described herein may not be marketed by NCR in all parts of the world. In some instances, photographs are of equipment prototypes. Software screen images are representative, and in some cases, may not match a customer's installed software exactly. Therefore, before using this document, consult with your NCR representative or NCR office for information that is applicable and current.

To maintain the quality of our publications, we need your comments on the accuracy, clarity, organization, and value of this book. Please use the link below to send your comments.

Email: [FD230036@ncr.com](mailto:FD230036@ncr.com)

Copyright © 2021  
By NCR Corporation  
864 Spring St. NW  
Atlanta, GA 30308  
United States  
All Rights Reserved

---

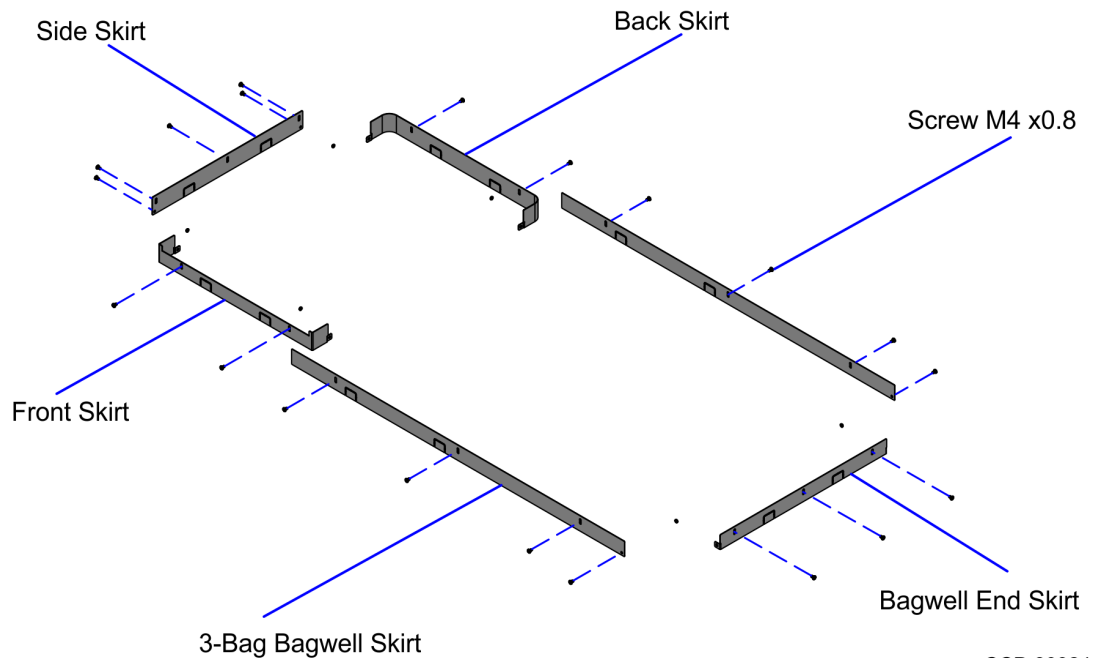
## Revision Record

Issue	Date	Remarks
A	Aug 2021	First Issue

# 3-Bag Bagwell Skirt

This publication provides procedures for installing a 3-Bag Bagwell Skirt to the NCR FastLane SelfServ™ Checkout 7360.

## Kit Contents



CCP-80324

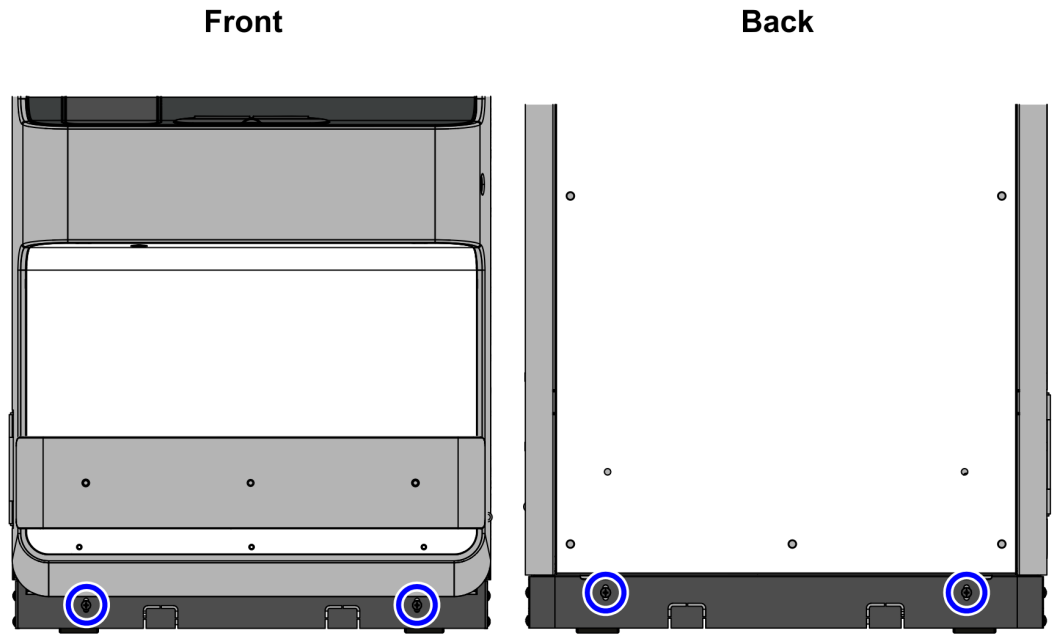
Part Number	Description
497-0531046	3-Bag Bagwell Skirt Kit
497-0502846	Skirt - 3-Bag Bagwell R6 (2 pcs)
497-0502854	Skirt - Bagwell End R6
497-0504564	Front Skirt
497-0504565	Back Skirt
497-0504566	Side Skirt
006-8623181	Screw - M5 X 0.8, 8mm, Machine, Pan Head, Black Oxide (20 pcs)
* 497-0423108	Kit Instructions (Reference Sheet)

\* Items marked with an asterisk are not called out on the image.

# Installation Procedure

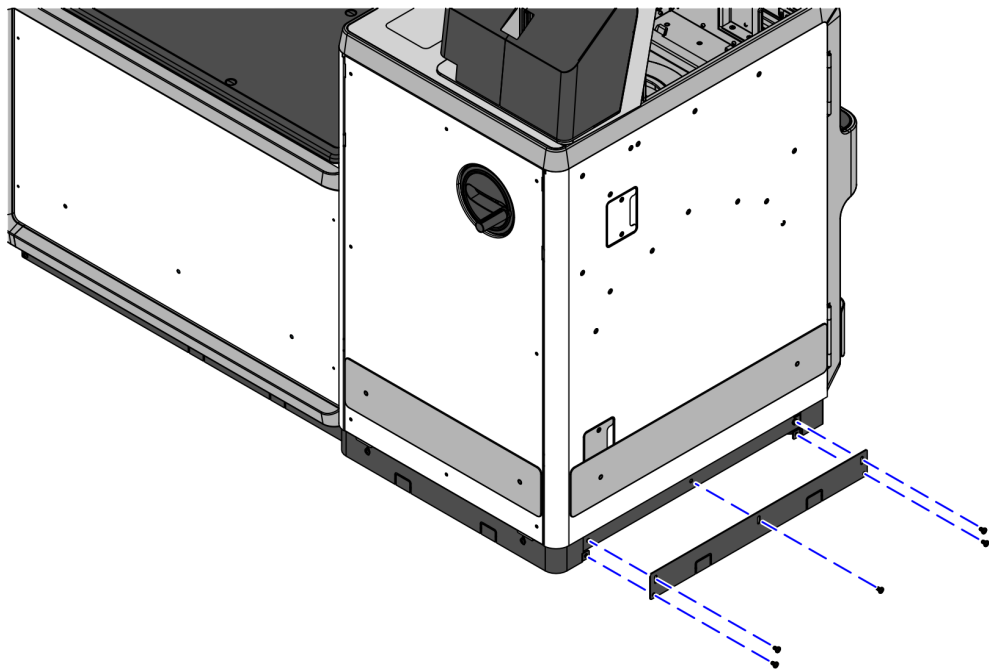
To install the 3-Bag Bagwell Skirt, follow these steps:

1. Attach the Front and Back Skirts to the unit using two (2) screws for each skirt, as shown in the image below.



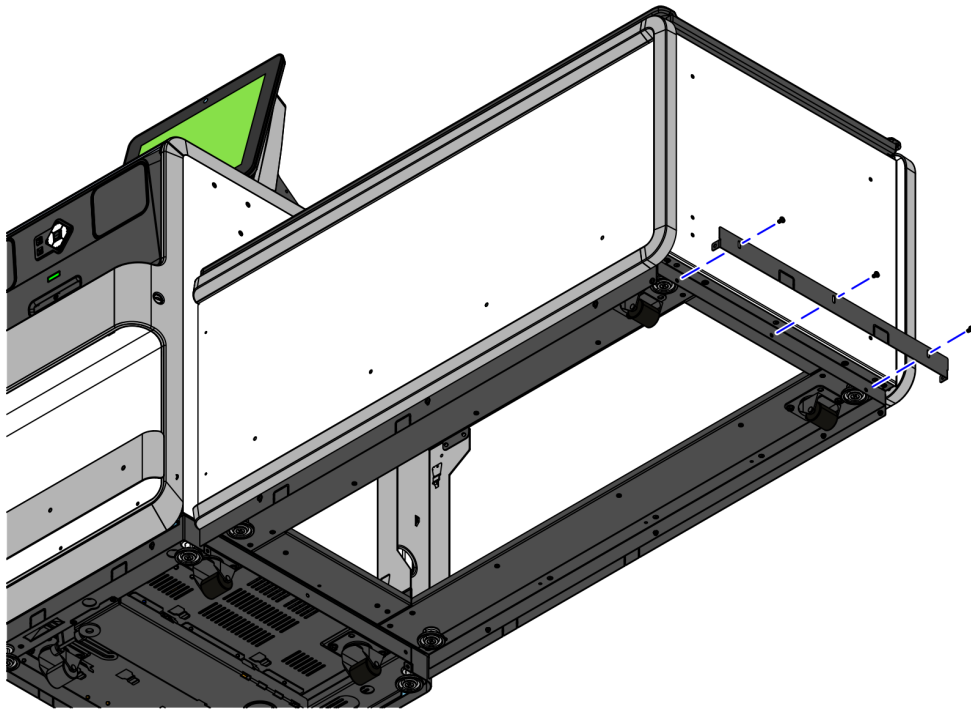
CCP-80325

2. Attach the Side Skirt using five screws (5) screws, as shown in the image below.



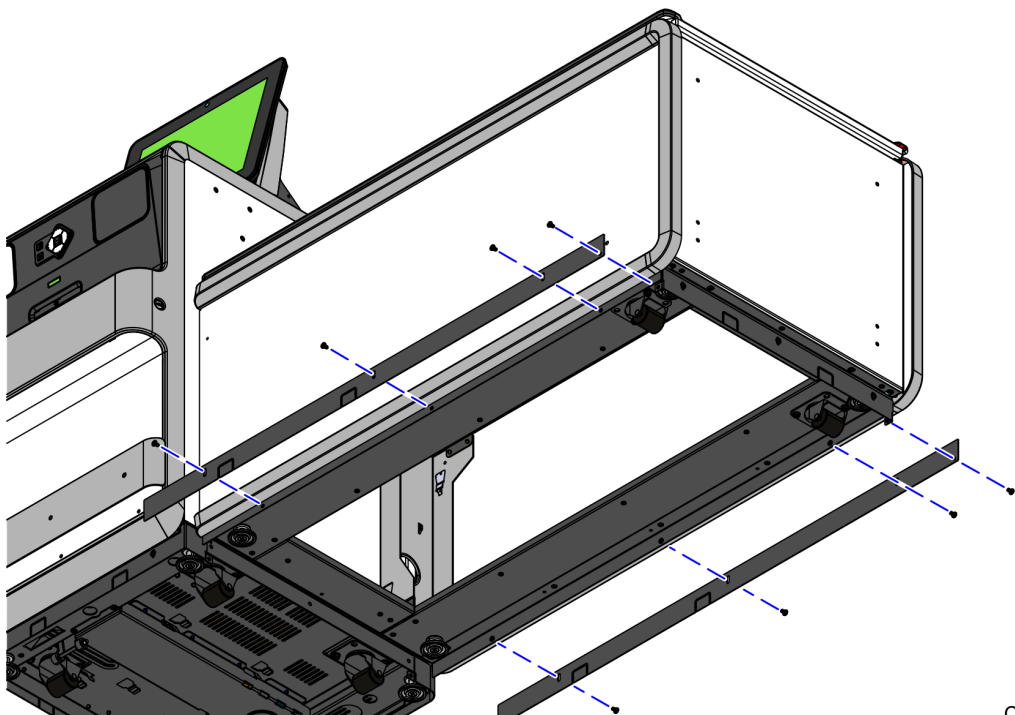
CCP-80330

3. Attach the Bagwell End Skirt to the Bagwell using three (3) screws, as shown in the image below.



CCP-80334

4. Attach two (2) 3-Bag Bagwell Skirts to the Bagwell using four (4) screws for each skirt, as shown in the image below.



CCP-80333

