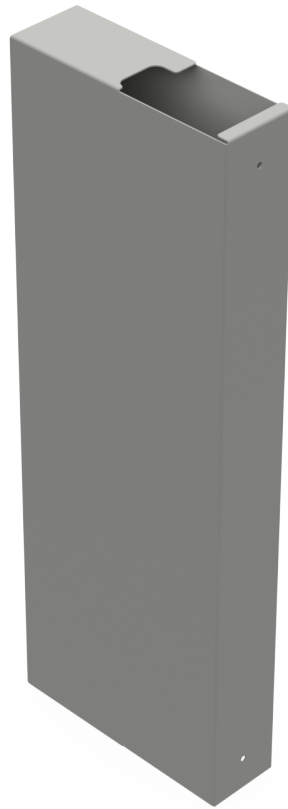


Kit Instructions

Narrow Power Pole Cover (WM Medium Gray)



7360-K480
Issue A



The product described in this document is a licensed product of NCR Corporation.

NCR is a registered trademark of NCR Corporation. NCR FastLane SelfServ™ Checkout is a trademark of NCR Corporation in the United States and/or other countries. Other product names mentioned in this publication may be trademarks or registered trademarks of their respective companies and are hereby acknowledged.

The terms HDMI and HDMI High-Definition Multimedia Interface, and the HDMI Logo are trademarks or registered trademarks of HDMI Licensing LLC in the United States and other countries.

Where creation of derivative works, modifications or copies of this NCR copyrighted documentation is permitted under the terms and conditions of an agreement you have with NCR, NCR's copyright notice must be included.

It is the policy of NCR Corporation (NCR) to improve products as new technology, components, software, and firmware become available. NCR, therefore, reserves the right to change specifications without prior notice.

All features, functions, and operations described herein may not be marketed by NCR in all parts of the world. In some instances, photographs are of equipment prototypes. Software screen images are representative, and in some cases, may not match a customer's installed software exactly. Therefore, before using this document, consult with your NCR representative or NCR office for information that is applicable and current.

Copyright © 2022
By NCR Corporation
864 Spring St. NW
Atlanta, GA 30308
United States
All Rights Reserved

Revision Record

Issue	Date	Remarks
A	Jul 2022	First Issue

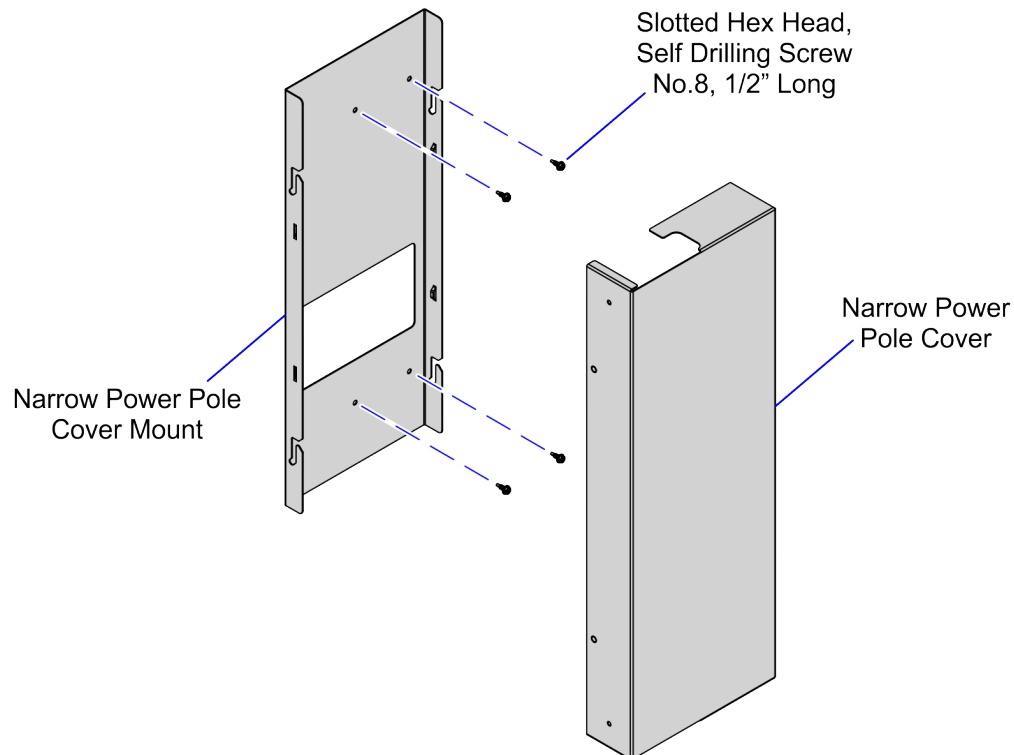
Narrow Power Pole Cover (WM Medium Gray)

This publication provides procedures for installing the Narrow Power Pole Cover (WM Medium Gray) to the Modular Bagwell on an NCR FastLane SelfServ™ Checkout (7360).

The Narrow Power Pole Cover (WM Medium Gray) is compatible with the following Modular Bagwell kits:

- [7358-K700 7-Pack 1-Bag Bagwell Module \(Medium Gray\)](#)
- [7358-K702 2-Bag Bagwell Module \(Medium Gray\)](#)
- [7358-K703 1-Bag Bagwell Module \(Medium Gray\)](#)
- [7358-K704 Large Basket Module \(Medium Gray\)](#)
- [7358-K705 2-Pack Large Basket Module \(Medium Gray\)](#)
- [7358-K714 Large Basket Module Rework](#)
- [7358-K732 3-Pack 2-Bag Bagwell Module \(Medium Gray\)](#)
- [7358-K762 6-Pack 2-Bag Bagwell Module \(Medium Gray\)](#)

Kit Contents



Part Number	Description
497-0533356	Kit - Narrow Power Pole Cover (WM Medium Gray)
795-0297328	Narrow Power Pole Cover Mount (WM Medium Gray)
795-0296528	Narrow Power Pole Cover (Generic)
006-8628519	Screw - Self-Drilling, Slotted Hex Head, Zinc-Plated, No. 8, 1/2" Long (4 pcs)
* 497-0423108	Kit Instructions Kit (Reference Sheet)

* Items marked with an asterisk are not called out on the image.

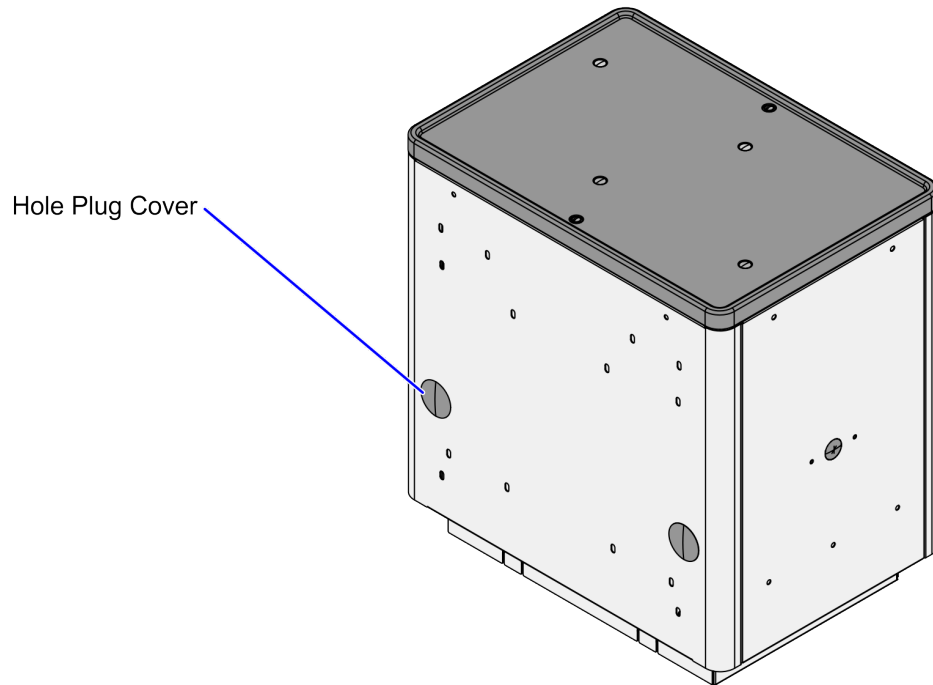
Installation Procedure

To install the Narrow Power Pole Cover (WM Medium Gray) to a Modular Bagwell, follow these steps:



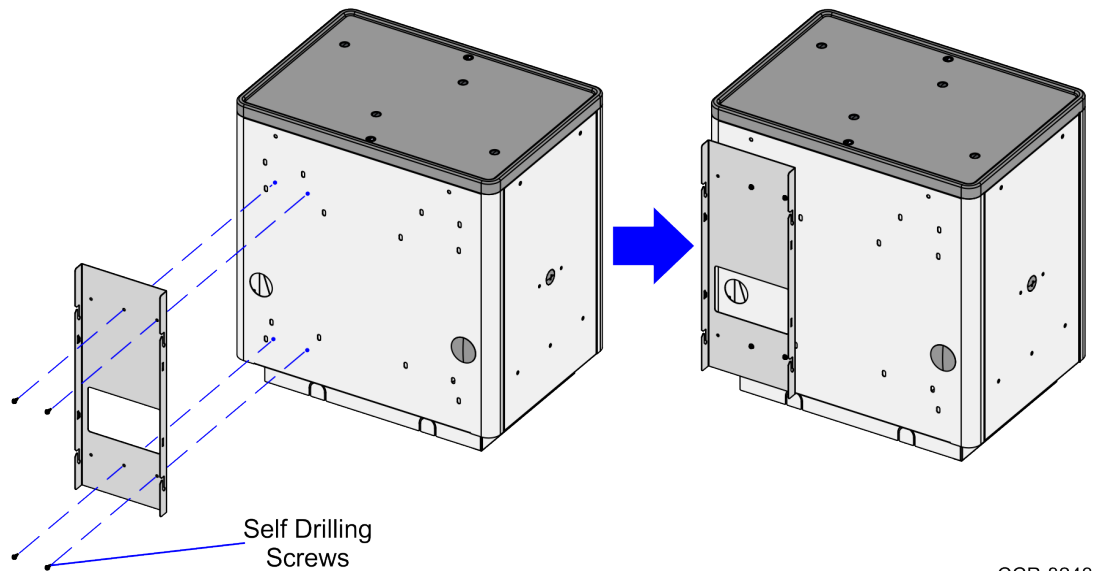
Note: For illustration purposes only, this procedure shows images using a 1-Bag Modular Bagwell.

1. If necessary, remove the Hole Plug Cover on the side of the Bagwell.



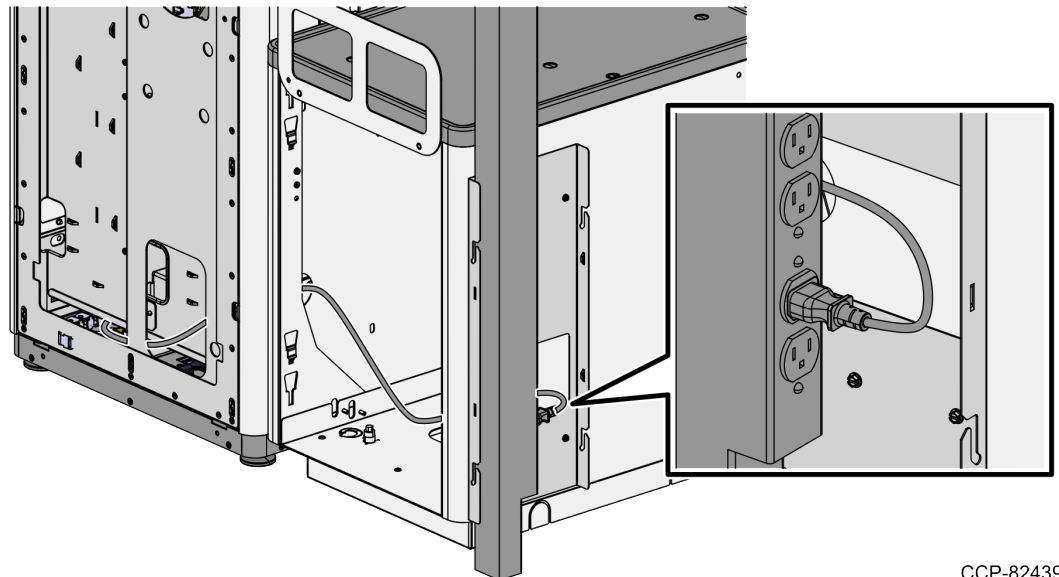
CCP-82448

2. Using a hand drill, secure the Narrow Power Pole Cover Mount on the side of the Bagwell with four (4) self-drilling screws.



CCP-82435

3. Do the following:
 - a. Route the Power Cable from the Core Cabinet and into the Bagwell.
 - b. Pass the cable through the Bagwell access hole and plug it into the socket.



4. Attach the Narrow Power Pole Cover to the Narrow Power Pole Cover Mount by aligning the pins to the slotted cutouts and sliding it down.

