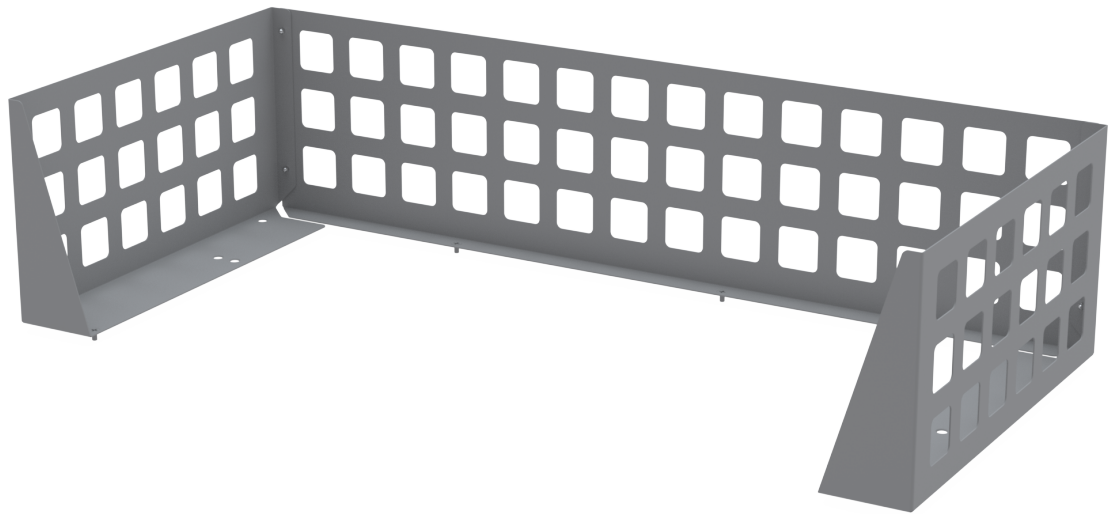


Kit Instructions

3-Bag Scale Tray Fence



7360-K464
Issue A



The product described in this document is a licensed product of NCR Corporation.

NCR is a registered trademark of NCR Corporation. NCR FastLane SelfServ™ Checkout is a trademark of NCR Corporation in the United States and/or other countries. Other product names mentioned in this publication may be trademarks or registered trademarks of their respective companies and are hereby acknowledged.

The terms HDMI and HDMI High-Definition Multimedia Interface, and the HDMI Logo are trademarks or registered trademarks of HDMI Licensing LLC in the United States and other countries.

Where creation of derivative works, modifications or copies of this NCR copyrighted documentation is permitted under the terms and conditions of an agreement you have with NCR, NCR's copyright notice must be included.

It is the policy of NCR Corporation (NCR) to improve products as new technology, components, software, and firmware become available. NCR, therefore, reserves the right to change specifications without prior notice.

All features, functions, and operations described herein may not be marketed by NCR in all parts of the world. In some instances, photographs are of equipment prototypes. Software screen images are representative, and in some cases, may not match a customer's installed software exactly. Therefore, before using this document, consult with your NCR representative or NCR office for information that is applicable and current.

To maintain the quality of our publications, we need your comments on the accuracy, clarity, organization, and value of this book. Please use the link below to send your comments.

Email: FD230036@ncr.com

Copyright © 2021
By NCR Corporation
864 Spring St. NW
Atlanta, GA 30308
United States
All Rights Reserved

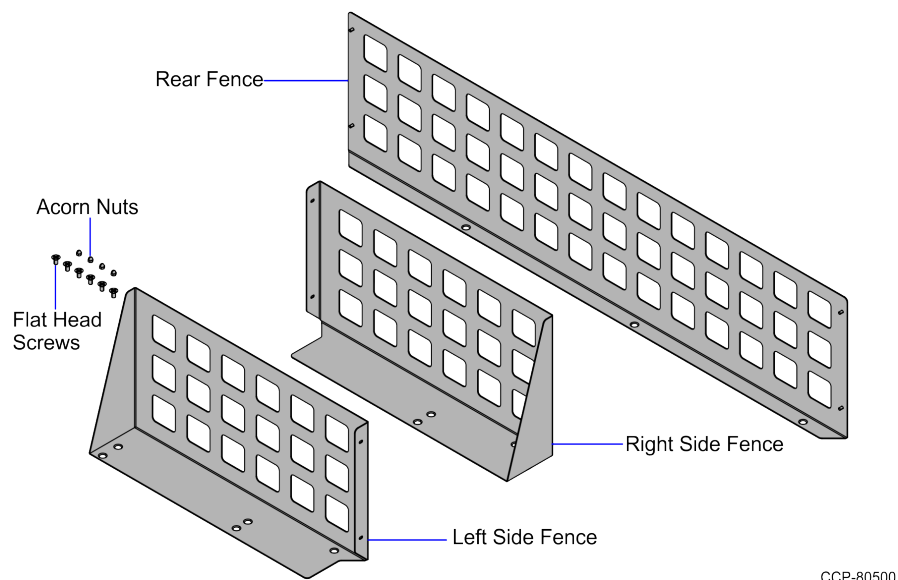
Revision Record

Issue	Date	Remarks
A	Apr 2021	First Issue

3-Bag Scale Tray Fence

The Scale Tray Fence is designed to keep a large number of items contained inside the Scale Tray. This publication provides procedures for installing a Scale Tray Fence on a 3-Bag NCR FastLane SelfServ™ Checkout (7360) unit.

Kit Contents



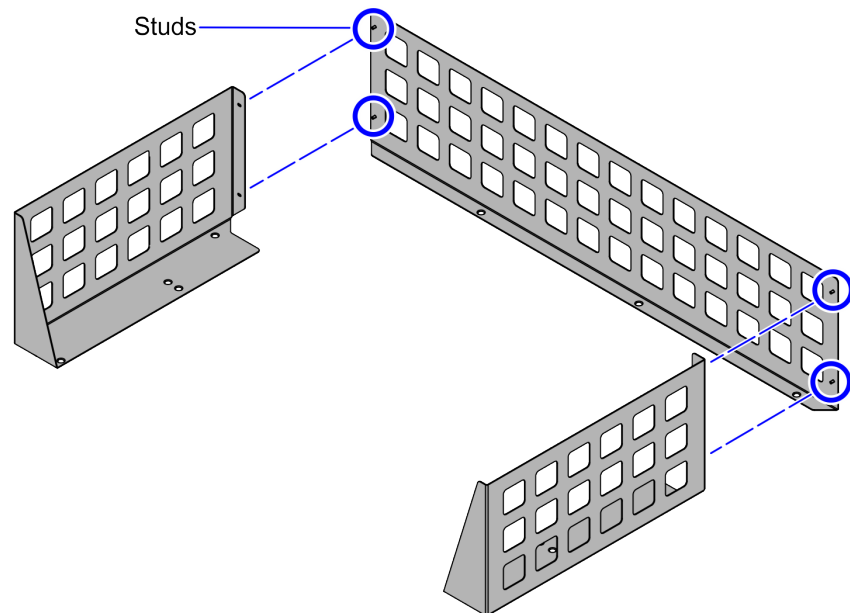
Part Number	Description
497-0529543	Kit, 3 Bag Scale Tray Fence
497-0528288	Fence, Scale Tray - Left Side
497-0528314	Fence, Scale Tray - Back Side, 3 Bag
497-0528298	Fence, Scale Tray - Right Side
006-8624472	Acorn Nut – M4 X 0.7Mm, 7Mm Width, 8Mm Height - Black Oxide Finish (4 Pcs)
007-7022141	Screw Ma Flat Poz M6 (6 Pcs)
* 497-0423108	Instructions-Kit (Reference Sheet)

* Items marked with an asterisk are not called out on the image.

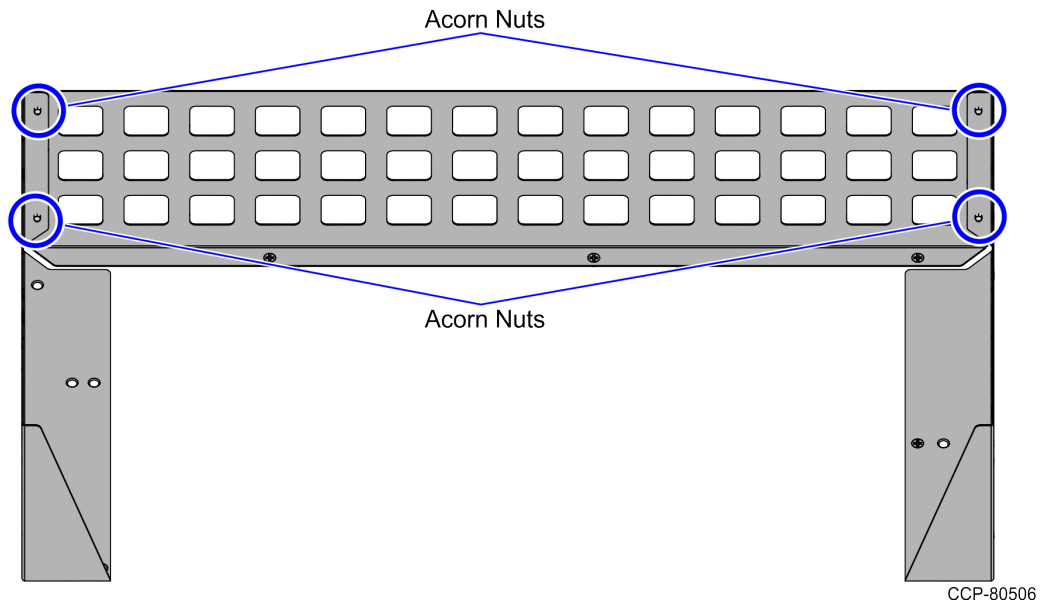
Installation Procedures

Installing the 3-Bag Scale Tray Fence on a 3-Bag Bagwell involves the following procedures:

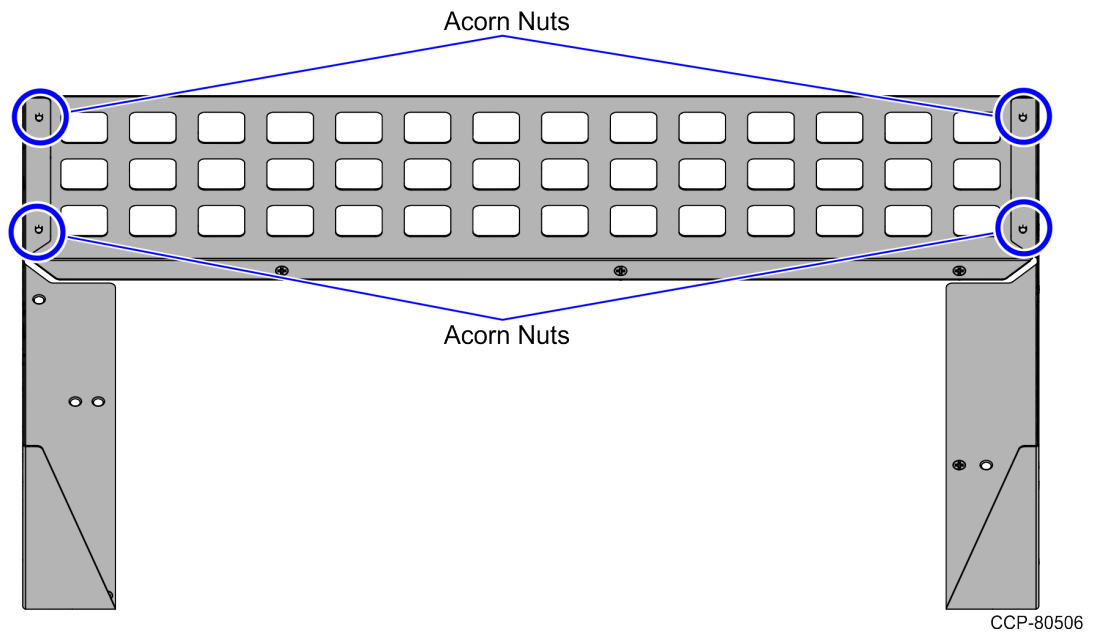
1. If replacing the Scale Tray Fence, remove the existing Scale Tray Fence. Depending on the orientation of the SelfServ Checkout unit, refer to either of the following procedures:
 - [*Removing 3-Bag Scale Tray Fence \(Left-hand \(LH\) orientation\)*](#) on page 6.
 - [*Removing 3-Bag Scale Tray Fence \(Right-hand \(RH\) orientation\)*](#) on page 7.
2. Assemble the new Scale Tray Fence by doing the following:
 - a. Insert the studs on the Rear Fence to the corresponding holes on the two (2) Side Fences.



- b. Loosely install four (4) Acorn Nuts on the studs.



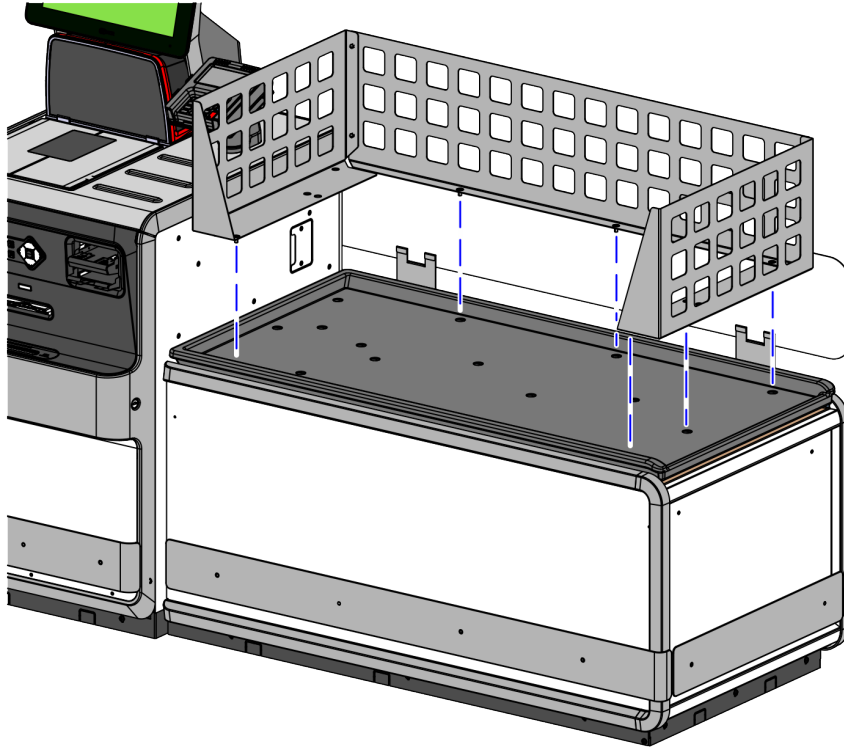
3. Install the Scale Tray Fence on the Scale Tray. Depending on the orientation of the SelfServ Checkout unit, refer to either of the following procedures:
- [*Installing 3-Bag Scale Tray Fence \(Left-hand \(LH\) orientation\)*](#) on the next page.
 - [*Installing 3-Bag Scale Tray Fence \(Right-hand \(RH\) orientation\)*](#) on page 5.
4. Tighten the four (4) Acorn Nuts to secure the Side Fences to the Rear Fence.



Installing 3-Bag Scale Tray Fence (Left-hand (LH) orientation)

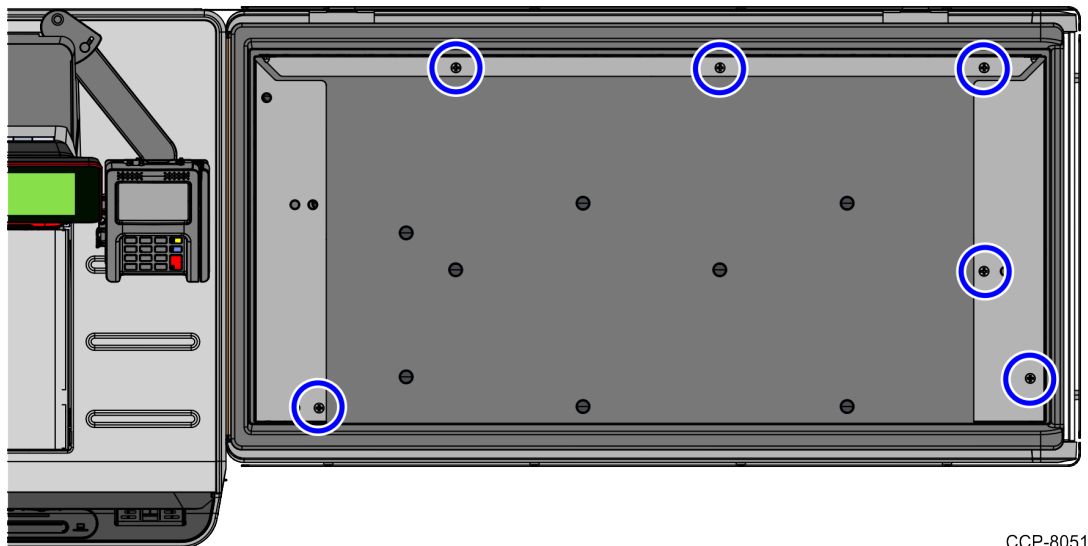
To install the 3-Bag Scale Tray Fence on the Bagwell, follow these steps:

1. Align the screw slots of the Scale Tray Fence to the corresponding mounting holes on the Scale Tray.



CCP-80515

2. Secure the Scale Tray Fence on the Scale Tray using six (6) flat-head screws.



CCP-80510

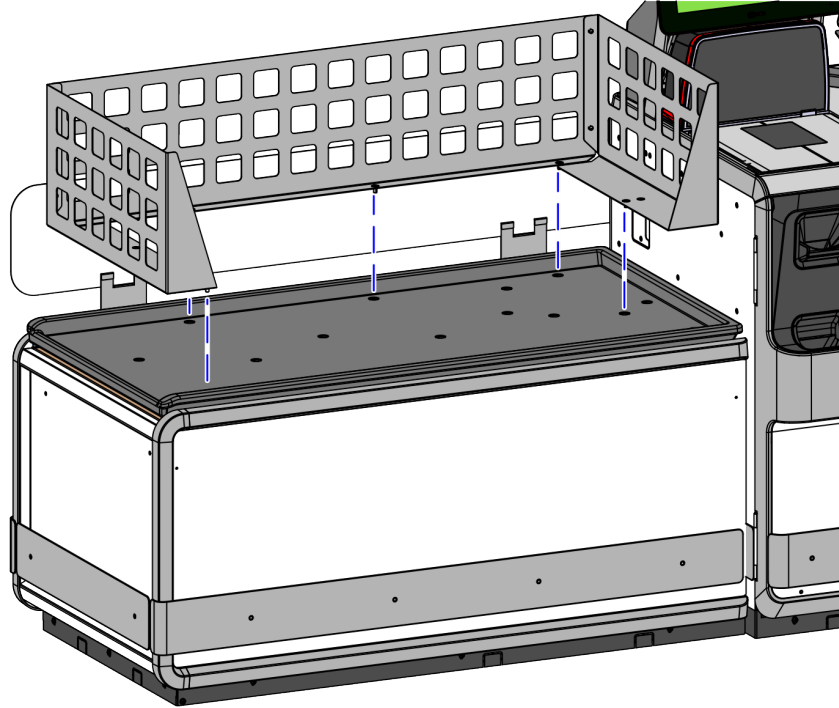


Note: Tighten the four (4) Acorn Nuts to secure the Side Fences to the Rear Fence.

Installing 3-Bag Scale Tray Fence (Right-hand (RH) orientation)

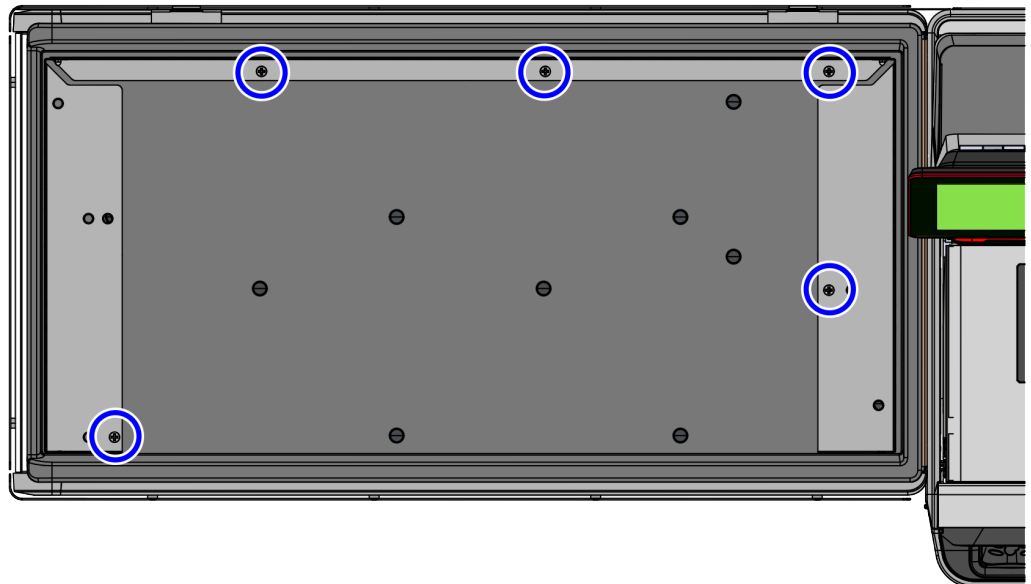
To install the 3-Bag Scale Tray Fence on the Bagwell, follow these steps:

1. Align the screw slots of the Scale Tray Fence to the corresponding mounting holes on the Scale Tray.



CCP-80516

2. Secure the Scale Tray Fence on the Scale Tray using five (5) flat-head screws.



CCP-80511

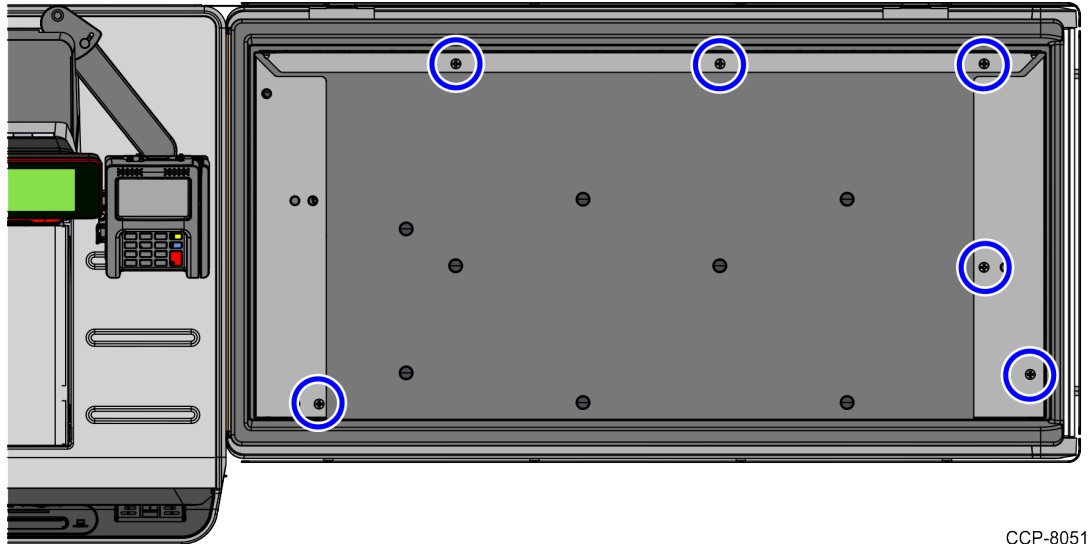


Note: Tighten the five (5) Acorn Nuts to secure the Side Fences to the Rear Fence.

Removing 3-Bag Scale Tray Fence (Left-hand (LH) orientation)

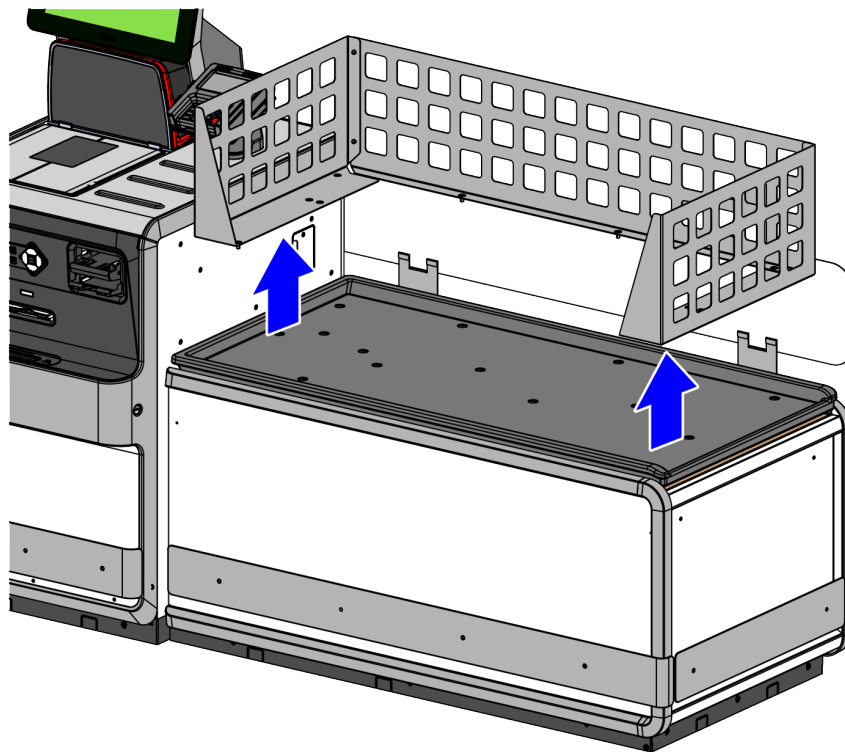
To remove the 3-Bag Scale Tray Fence from the Bagwell, follow these steps:

1. Remove six (6) flat-head screws to detach the fence from the Scale Tray.



CCP-80510

2. Lift and remove the fence from the Scale Tray.

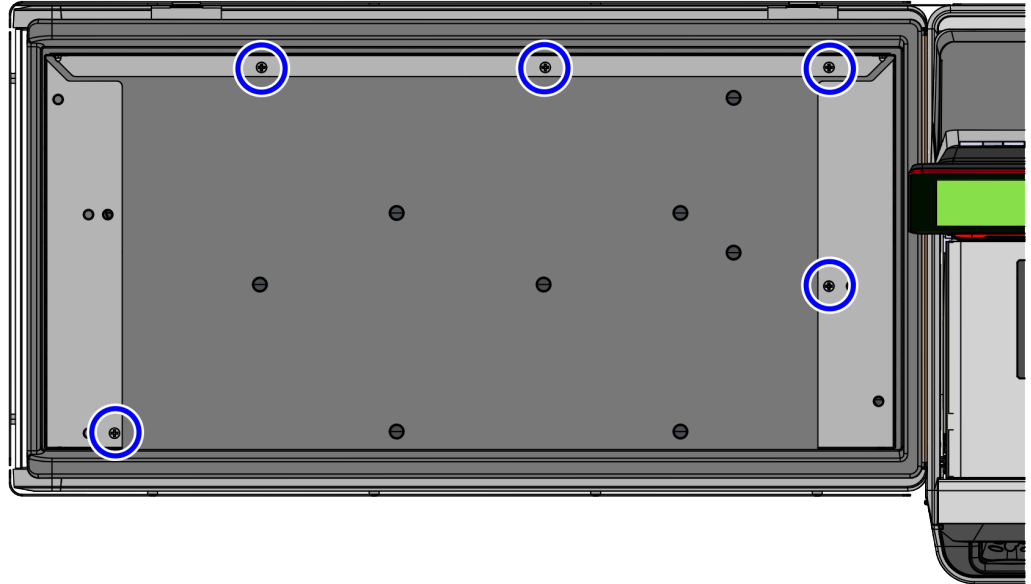


CCP-80515

Removing 3-Bag Scale Tray Fence (Right-hand (RH) orientation)

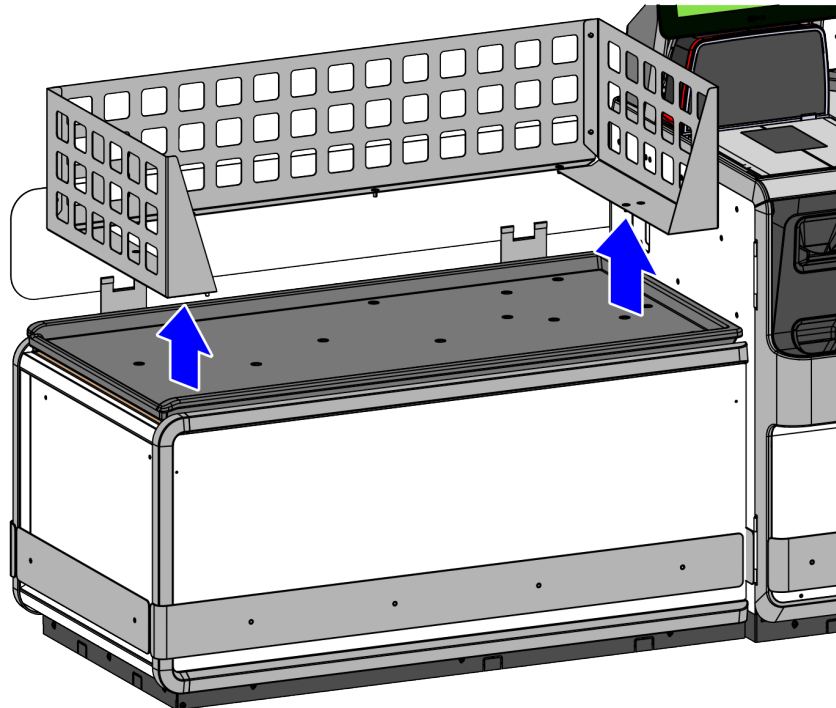
To remove the 3-Bag Scale Tray Fence from the Bagwell, follow these steps:

1. Remove five (5) flat-head screws to detach the fence from the Scale Tray.



CCP-80511

2. Lift and remove the fence from the Scale Tray.



CCP-80521

