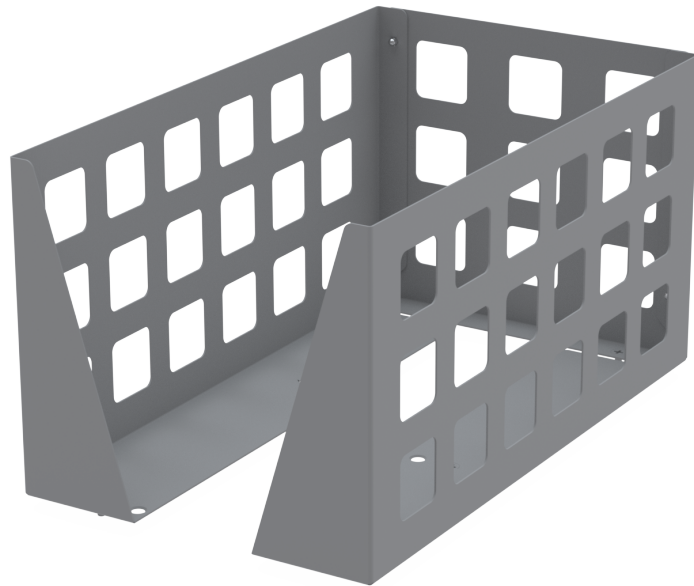


# Kit Instructions

## 1-Bag Scale Tray Fence



7360-K460  
Issue A



The product described in this document is a licensed product of NCR Corporation.

NCR is a registered trademark of NCR Corporation. NCR FastLane SelfServ™ Checkout is a trademark of NCR Corporation in the United States and/or other countries. Other product names mentioned in this publication may be trademarks or registered trademarks of their respective companies and are hereby acknowledged.

The terms HDMI and HDMI High-Definition Multimedia Interface, and the HDMI Logo are trademarks or registered trademarks of HDMI Licensing LLC in the United States and other countries.

Where creation of derivative works, modifications or copies of this NCR copyrighted documentation is permitted under the terms and conditions of an agreement you have with NCR, NCR's copyright notice must be included.

It is the policy of NCR Corporation (NCR) to improve products as new technology, components, software, and firmware become available. NCR, therefore, reserves the right to change specifications without prior notice.

All features, functions, and operations described herein may not be marketed by NCR in all parts of the world. In some instances, photographs are of equipment prototypes. Software screen images are representative, and in some cases, may not match a customer's installed software exactly. Therefore, before using this document, consult with your NCR representative or NCR office for information that is applicable and current.

To maintain the quality of our publications, we need your comments on the accuracy, clarity, organization, and value of this book. Please use the link below to send your comments.

Email: [FD230036@ncr.com](mailto:FD230036@ncr.com)

Copyright © 2021  
By NCR Corporation  
864 Spring St. NW  
Atlanta, GA 30308  
United States  
All Rights Reserved

---

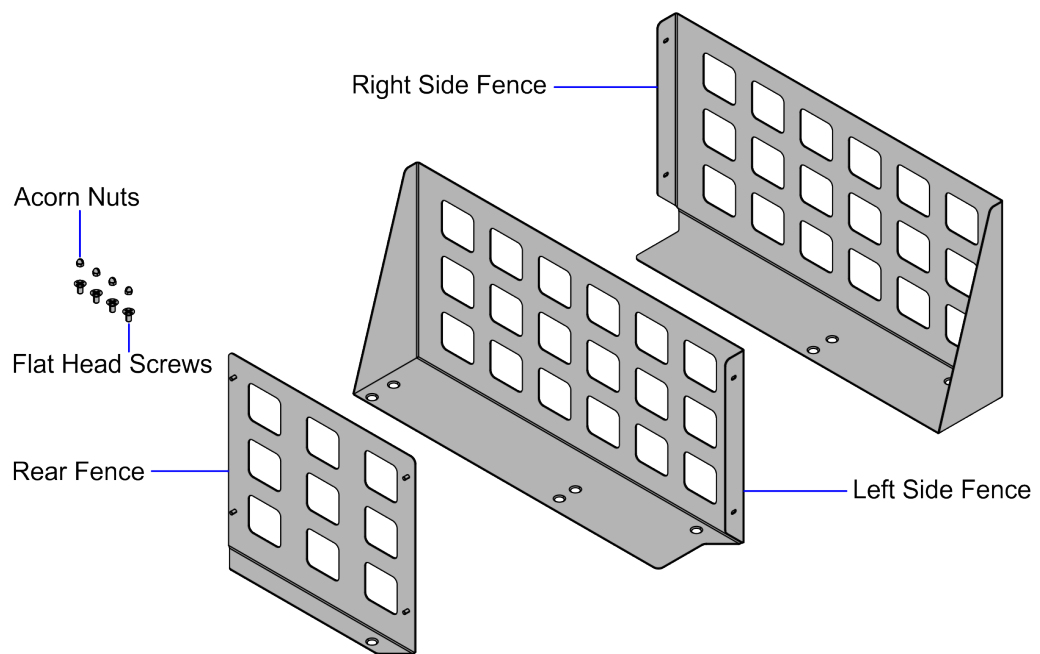
## Revision Record

Issue	Date	Remarks
A	Apr 2021	First Issue

# 1-Bag Scale Tray Fence

The Scale Tray Fence is designed to keep a large number of items contained inside the Scale Tray. This publication provides procedures for installing a Scale Tray Fence on a 1-Bag NCR FastLane SelfServ™ Checkout (7360) unit.

## Kit Contents



CCP-80498

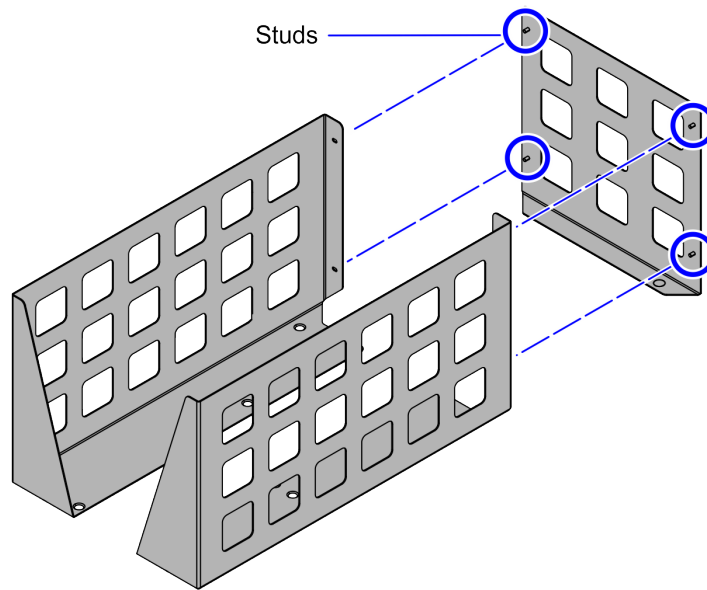
Part Number	Description
497-0529541	Kit, 1 Bag Scale Tray Fence
497-0528288	Fence, Scale Tray - Left Side
497-0528297	Fence, Scale Tray - Back Side, 1 Bag
497-0528298	Fence, Scale Tray - Right Side
006-8624472	Acorn Nut - M4 X 0.7Mm, 7Mm Width, 8Mm Height - Black Oxide Finish (4 Pcs)
007-7022141	Screw Ma Flat Poz M6 (4 Pcs)
* 497-0423108	Instructions-Kit (Reference Sheet)

\* Items marked with an asterisk are not called out on the image.

# Installation Procedures

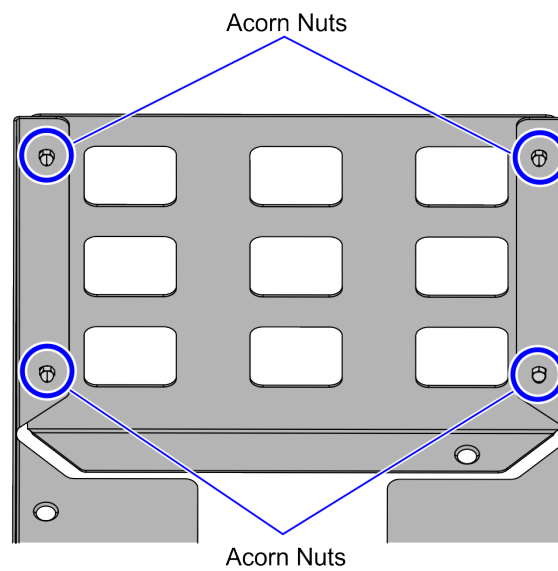
To install the 1-Bag Scale Tray Fence, follow these steps:

1. If replacing the Scale Tray Fence, remove the existing Scale Tray Fence. For more information, refer to [Removing 1-Bag Scale Tray Fence](#) on page 4.
2. Assemble the new Scale Tray Fence by doing the following:
  - a. Insert the studs on the Rear Fence to the corresponding holes on the two (2) Side Fences.



CCP-80501

- b. Loosely install four (4) Acorn Nuts on the studs.

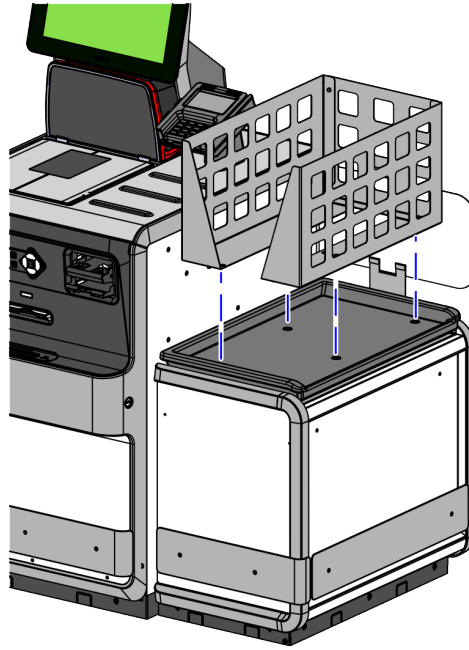


CCP-80504

- Align the screw slots of the Scale Tray Fence to the corresponding mounting holes on the Scale Tray. The image below shows a unit with Left-hand (LH) orientation for illustration only.

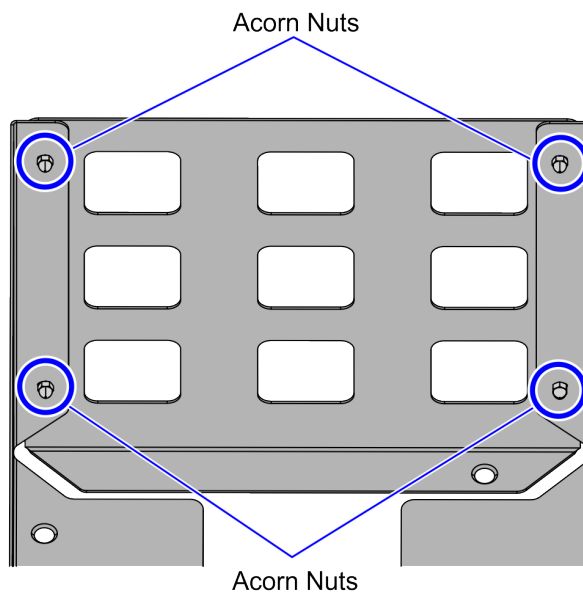


**Note:** Mounting holes are the same for Left-hand (LH) orientation or Right-hand (RH) orientation.



CCP-80512

- Tighten the four (4) Acorn Nuts to secure the Side Fences to the Rear Fence.



CCP-80504

## Removing 1-Bag Scale Tray Fence

To remove the 1-Bag Scale Tray Fence from the Bagwell, follow these steps:

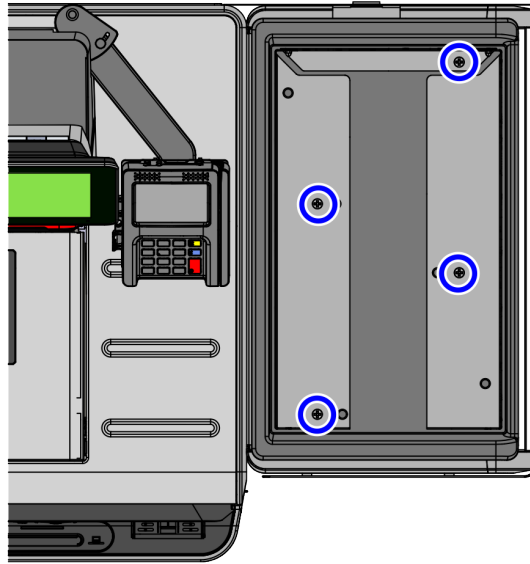


**Note:** The procedure shows a unit with Left-hand (LH) orientation for illustration only.

1. Remove four (4) flat-head screws to detach the fence from the Scale Tray.

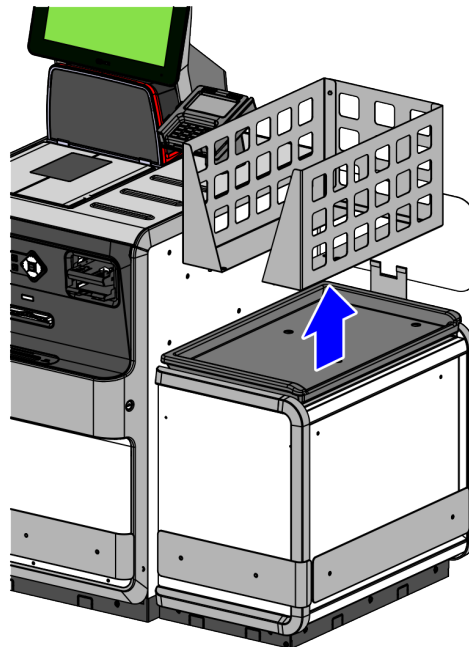


**Note:** Mounting holes are the same for Left-hand (LH) orientation or Right-hand (RH) orientation.



CCP-80507

2. Lift and remove the fence from the Scale Tray.



CCP-80517