



# Kit Instructions

---

## 12-inch Bag Rack



7360-K451

Issue B

# Copyright

---

The product described in this document is a licensed product of NCR Corporation.

NCR is a registered trademark of NCR Corporation. NCR [Product] is a trademark of NCR Corporation in the United States and/or other countries. Other product names mentioned in this publication may be trademarks or registered trademarks of their respective companies and are hereby acknowledged.



Java is a registered trademark of Oracle and/or its affiliates.

The terms HDMI and HDMI High-Definition Multimedia Interface, and the HDMI Logo are trademarks or registered trademarks of HDMI Licensing LLC in the United States and other countries.

Where creation of derivative works, modifications or copies of this NCR copyrighted documentation is permitted under the terms and conditions of an agreement you have with NCR, NCR's copyright notice must be included.

It is the policy of NCR Corporation (NCR) to improve products as new technology, components, software, and firmware become available. NCR, therefore, reserves the right to change specifications without prior notice.

All features, functions, and operations described herein may not be marketed by NCR in all parts of the world. In some instances, photographs are of equipment prototypes. Therefore, before using this document, consult with your NCR representative or NCR office for information that is applicable and current.

Copyright © 2019 - 2024  
By NCR Voyix Corporation  
Global Headquarters  
864 Spring St. NW  
Atlanta, GA 30308  
United States  
All Rights Reserved

# Revision Record

---

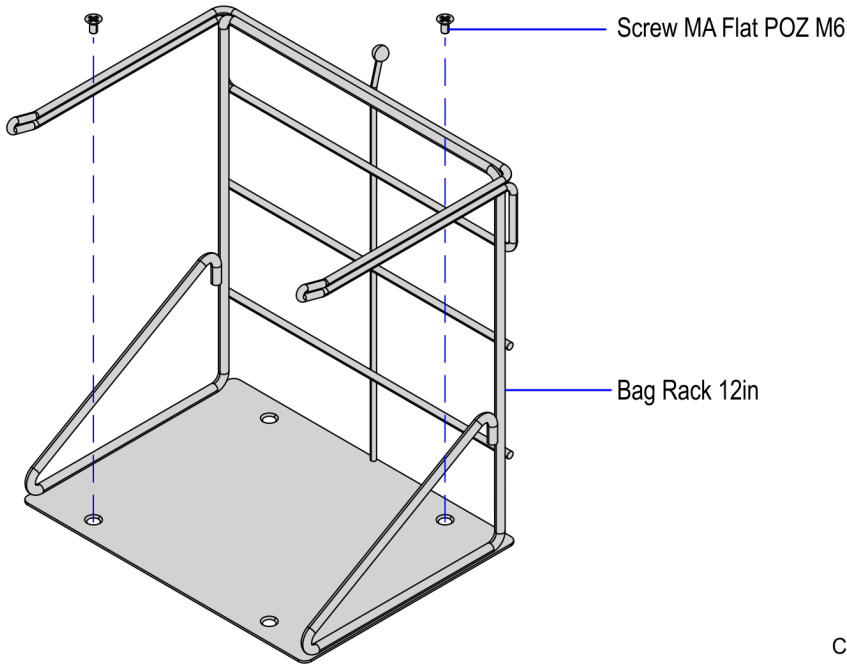
Issue	Date	Remarks
A	Aug 2019	First issue.
B	Mar 2024	<ul style="list-style-type: none"><li>• Added instructions for 7371 Bagwell.</li><li>• Updated illustrations.</li><li>• Updated IP template.</li></ul>

# 12-inch Bag Rack

This publication provides procedures for installing a 12-inch Bag Rack on either of the following Bagwells:

- 7360 (R6) Bagwell
- 7371 Bagwell

# Kit Contents



CCP-77272

Part Number	Description
497-0525987	7360-K451 12-inch Bag Rack
497-0444541	Bag Rack, 12 in
007-7022141	Screw MA FLAT POZ M6 (2 pcs)
* 497-0423108	Instructions Kit (Reference Sheet)

\* Items marked with an asterisk are not called out on the image.

# Installation Procedures

Depending on the Bagwell, refer to the procedures below for instructions on how to install the 12-inch Bag Rack.

- "Bag Rack on 7360 (R6-C) Bagwell" below
- "Bag Rack on 7371 Bagwell" on page 9

## Bag Rack on 7360 (R6-C) Bagwell

To install the 12-inch Bag Rack on the Scale Tray of a 7360 (R6-C) Bagwell, follow these steps:

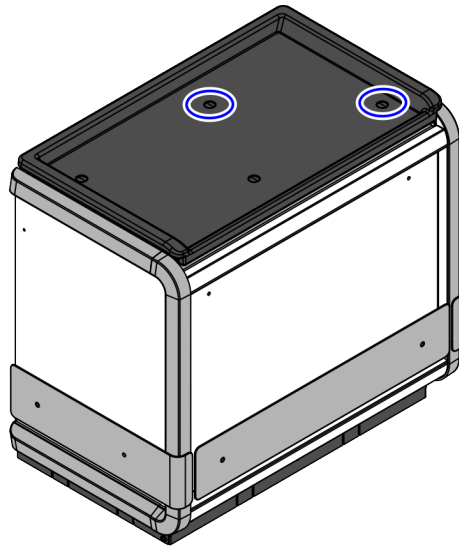


### Note

Bag racks can be installed facing forward or to the side. This procedure shows installing the bag rack facing forward only as an example.

1. Clean the Bagwell Scale Tray with alcohol or non-residue cleaner to remove any dust or dirt and then identify the specific location where to mount the bag racks on the Scale Tray.

2. Remove the Tapping Inserts from the Scale Tray as indicated.




CCP-83172

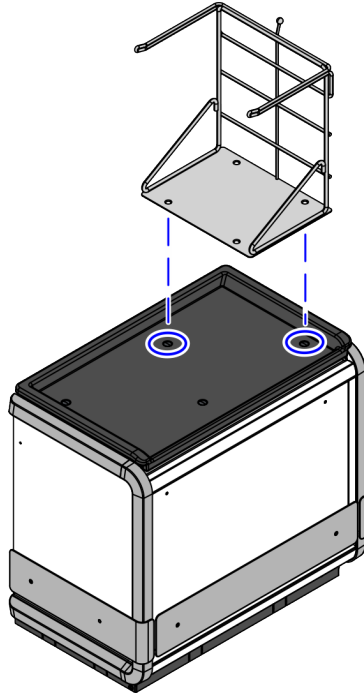
 **Note**

Ensure that the Scale Tray is placed on its correct orientation by placing the side with the raised edge along the core wall. This prevents items on the tray from making contact with the core wall which can affect the reported weight.

3. Secure the Bag Rack to the Scale Tray using two (2) screws.

 **Note**

Attach the screws on opposite corners.



CCP-83171



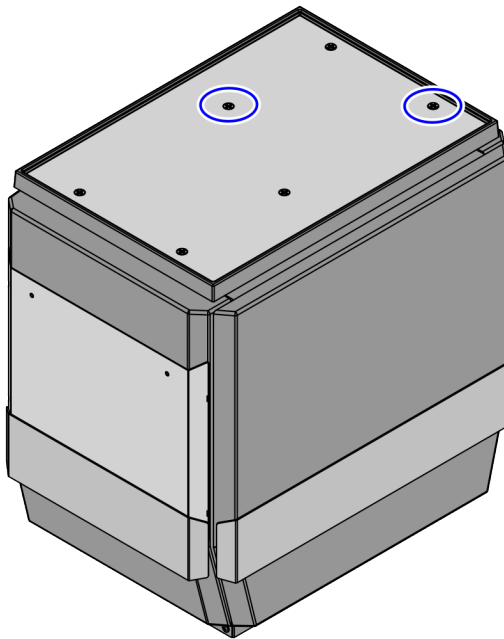
# Bag Rack on 7371 Bagwell

To install the 12-inch Bag Rack on the Scale Tray of a 7371 Bagwell, follow these steps:

## Note

Bag racks can be installed facing forward or to the side. This procedure shows installing the bag rack facing forward only as an example.

1. Clean the Bagwell Scale Tray with alcohol or non-residue cleaner to remove any dust or dirt and then identify the specific location where to mount the bag racks on the Scale Tray.
2. Remove the Tapping Inserts from the Scale Tray as indicated in the image below.

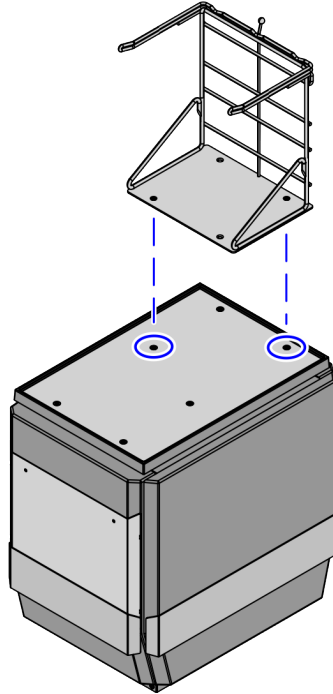


CCP-83174

3. Secure the Bag Rack to the Scale Tray using two (2) screws.

 **Note**

Attach the screws on opposite corners.



CCP-83173

# Removing the Bag Rack

Depending on the Bagwell, refer to the procedures below for instructions on how to remove the 12-inch Bag Rack.

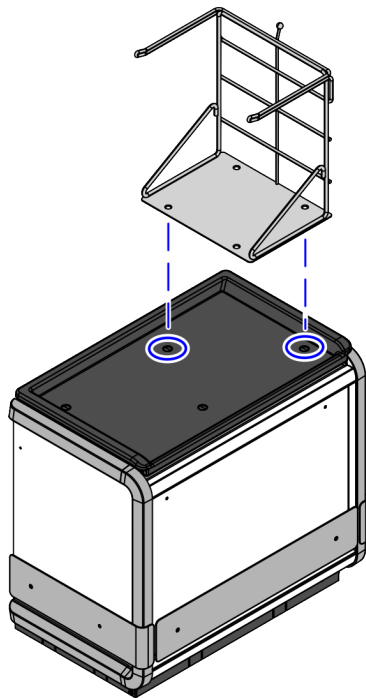
- ["Bag Rack on 7360 \(R6-C\) Bagwell"](#) below
- ["Bag Rack on 7371 Bagwell"](#) on the next page

## Bag Rack on 7360 (R6-C) Bagwell

To remove the Bag Rack, loosen two screws to detach the Bag Rack from the Scale Tray.

### Note

Bag racks can be installed facing forward or to the side. This procedure shows removing the bag rack that is facing forward only as an example.

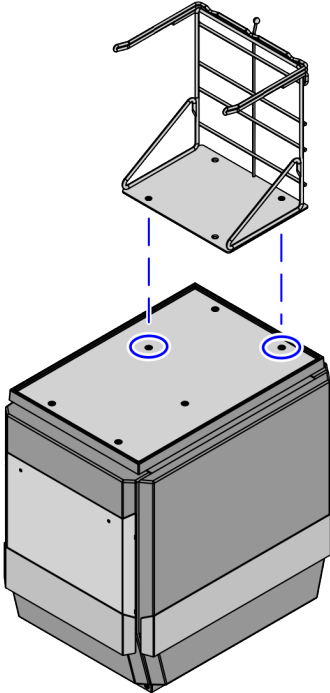


CCP-83171

# Bag Rack on 7371 Bagwell

To remove the Bag Rack, loosen two screws to detach the Bag Rack from the Scale Tray.

**Note**  
Bag racks can be installed facing forward or to the side. This procedure shows removing the Bag Rack that is facing forward only as an example.



CCP-83173