

Kit Instructions

PIN Pad Mount (Ingenico 3000/5000/7000/8000)



7360-K435
Issue A



The product described in this document is a licensed product of NCR Corporation.

NCR is a registered trademark of NCR Corporation. NCR FastLane SelfServ™ Checkout is a trademark of NCR Corporation in the United States and/or other countries. Other product names mentioned in this publication may be trademarks or registered trademarks of their respective companies and are hereby acknowledged.

The terms HDMI and HDMI High-Definition Multimedia Interface, and the HDMI Logo are trademarks or registered trademarks of HDMI Licensing LLC in the United States and other countries.

Where creation of derivative works, modifications or copies of this NCR copyrighted documentation is permitted under the terms and conditions of an agreement you have with NCR, NCR's copyright notice must be included.

It is the policy of NCR Corporation (NCR) to improve products as new technology, components, software, and firmware become available. NCR, therefore, reserves the right to change specifications without prior notice.

All features, functions, and operations described herein may not be marketed by NCR in all parts of the world. In some instances, photographs are of equipment prototypes. Software screen images are representative, and in some cases, may not match a customer's installed software exactly. Therefore, before using this document, consult with your NCR representative or NCR office for information that is applicable and current.

To maintain the quality of our publications, we need your comments on the accuracy, clarity, organization, and value of this book. Please use the link below to send your comments.

Email: FD230036@ncr.com

Copyright © 2020
By NCR Corporation
864 Spring St. NW
Atlanta, GA 30308
United States
All Rights Reserved

Revision Record

Issue	Date	Remarks
A	Dec 2020	First Issue

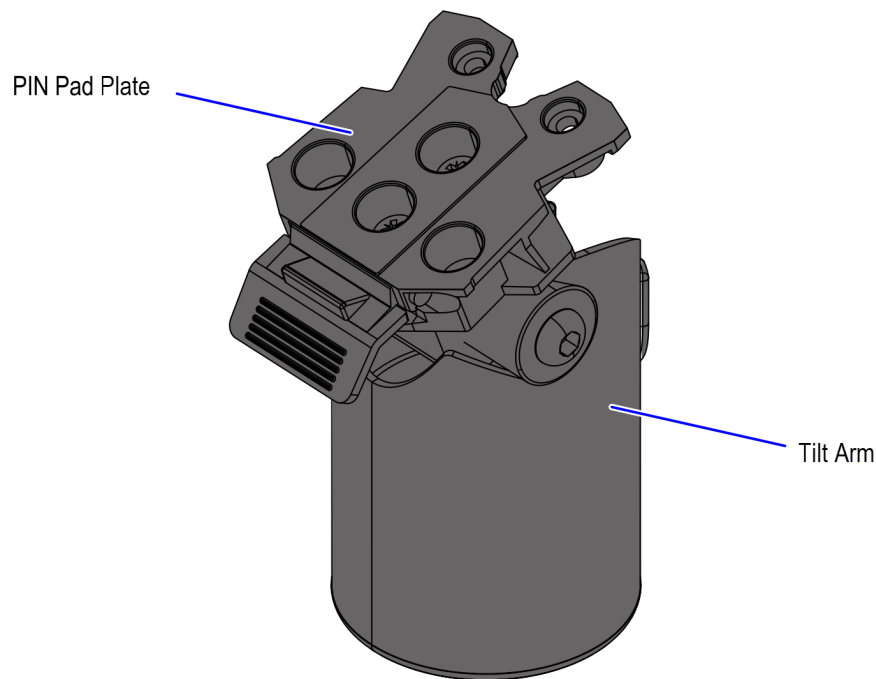
PIN Pad Mount (Ingenico Lane 3000/5000/7000/8000)

This publication provides procedures for installing a PIN Pad Mount for an Ingenico Lane 3000/5000/7000/8000 device on an NCR FastLane SelfServ™ Checkout (7360) unit.



Note: The Ingenico Lane 3000/5000/7000/8000 PIN Pad is supplied by the customer.

Kit Contents



CCP-80100

Part Number	Description
497-0528979	7360-K435 PIN Pad Mount (Ingenico Lane 3000/5000/8000) Kit
* 497-0423108	Instructions - Kit (Reference Sheet)

* Items marked with an asterisk are not called out on the image.

Installation Procedures

Installing the PIN Pad Mount involves the following procedures:

- [Removing Existing PIN Pad Mount](#) on the facing page.
- [Installing PIN Pad Mount](#) on page 6.
- [Installing Ingenico Lane 3000/5000/7000/8000 PIN Pad](#) on page 13.



Note: The Ingenico Lane 3000/5000/7000/8000 PIN Pad is not included in the 7360-K435 PIN Pad Kit. For more information, contact an NCR Customer Service Representative.

Removing Existing PIN Pad Mount

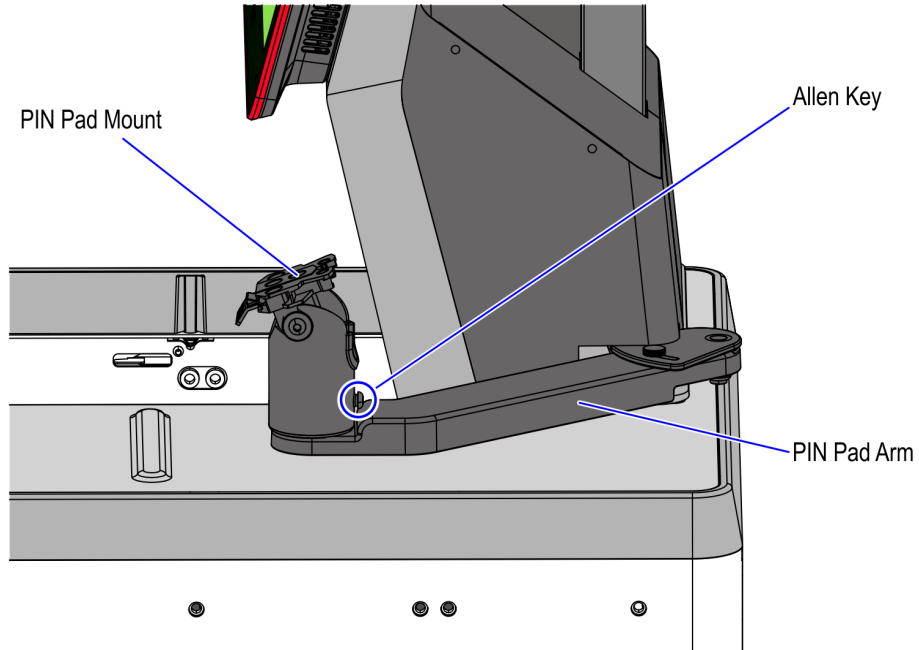
Depending on the SelfServ Checkout unit, refer to the following:

- [Full Recycling \(Fixed/Convertible\) Unit](#) on the next page.
- [Credit/Debit Only Unit](#) on page 5.

Full Recycling (Fixed/Convertible) Unit

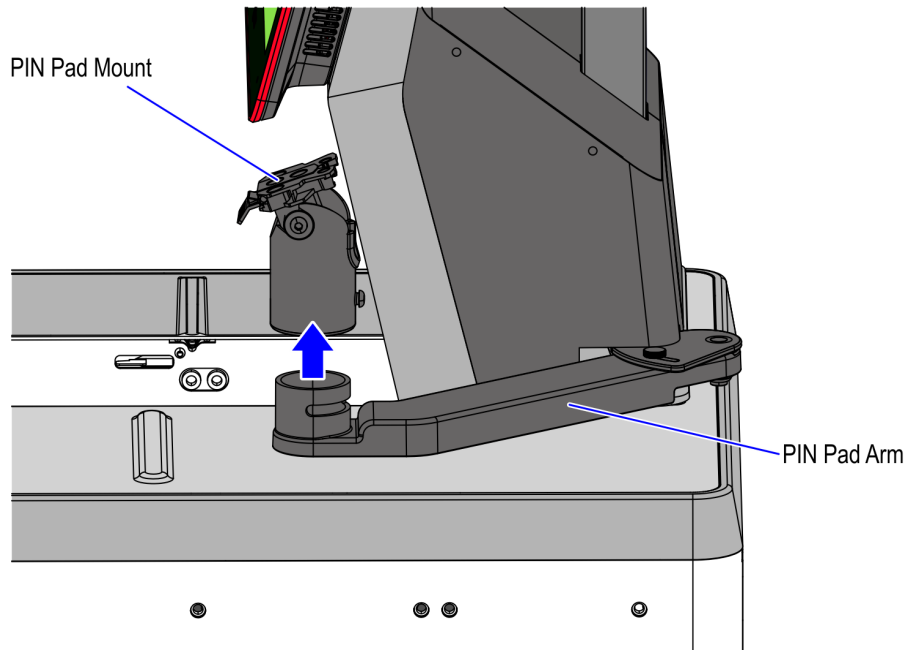
To remove the existing PIN Pad Mount, follow these steps:

1. Remove the Allen key securing the PIN Pad Mount to the PIN Pad Arm.



CCP-80101

2. Remove the PIN Pad Mount from the PIN Pad Arm, as shown in the images below.

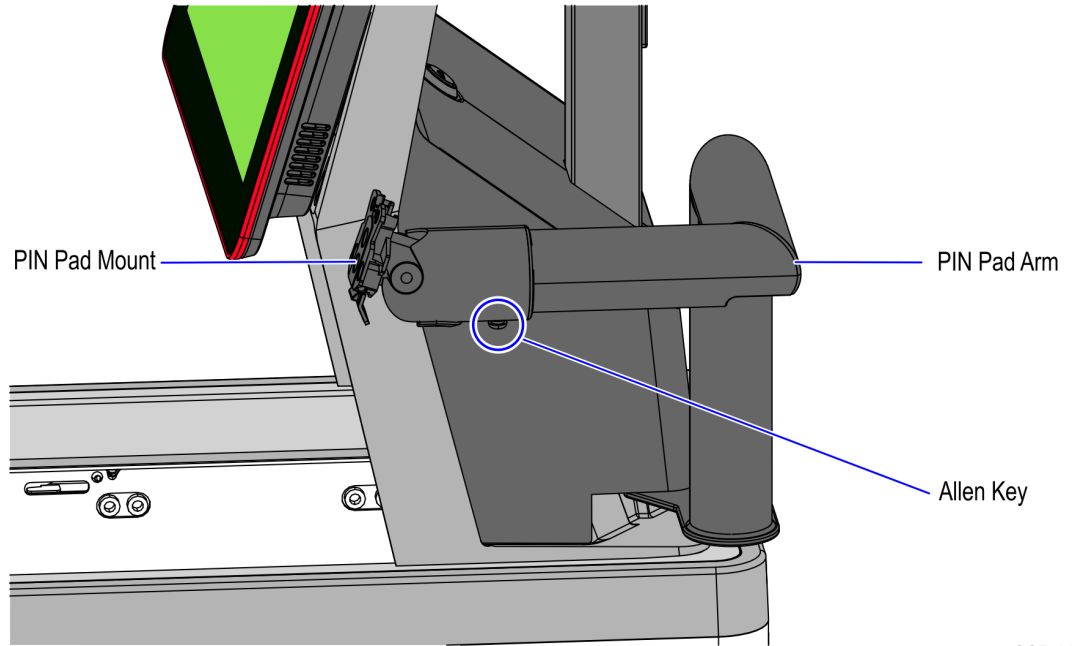


CCP-80102

Credit/Debit Only Unit

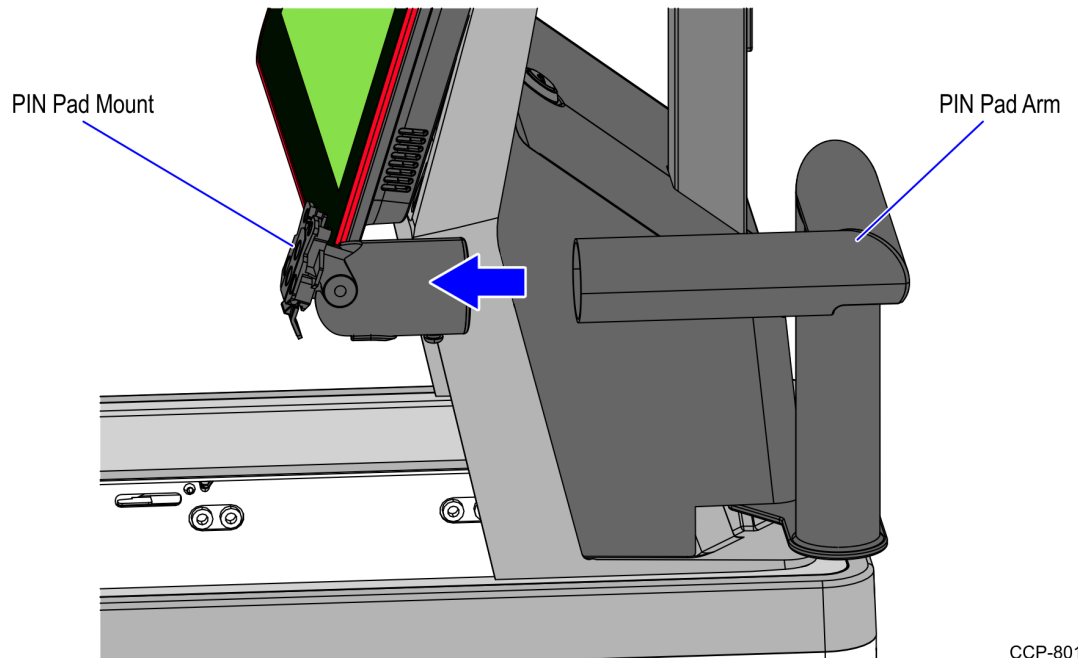
To remove the existing PIN Pad Mount, follow these steps:

1. Remove the Allen key securing the PIN Pad Mount to the PIN Pad Arm.



CCP-80110

2. Remove the PIN Pad Mount from the PIN Pad Arm, as shown in the images below.



CCP-80116

Installing PIN Pad Mount

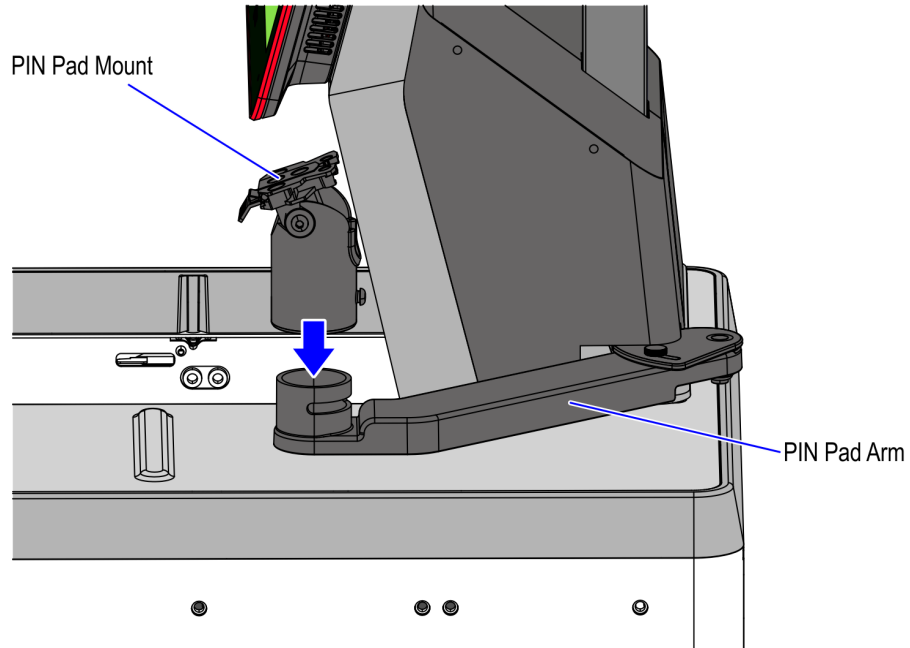
Depending on the SelfServ Checkout unit, refer to the following procedures:

- [Full Recycling \(Fixed/Convertible\) Unit](#) on the facing page.
- [Credit/Debit Only Unit](#) on page 9.

Full Recycling (Fixed/Convertible) Unit

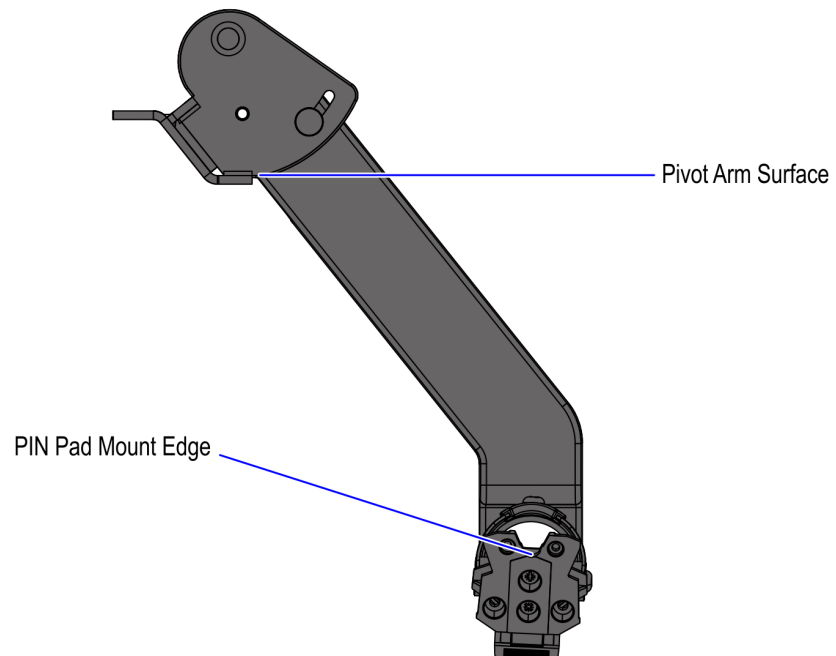
To install the PIN Pad Mount on a Fixed or Convertible unit, follow these steps:

1. Attach the PIN Pad Mount to the PIN Pad Arm.



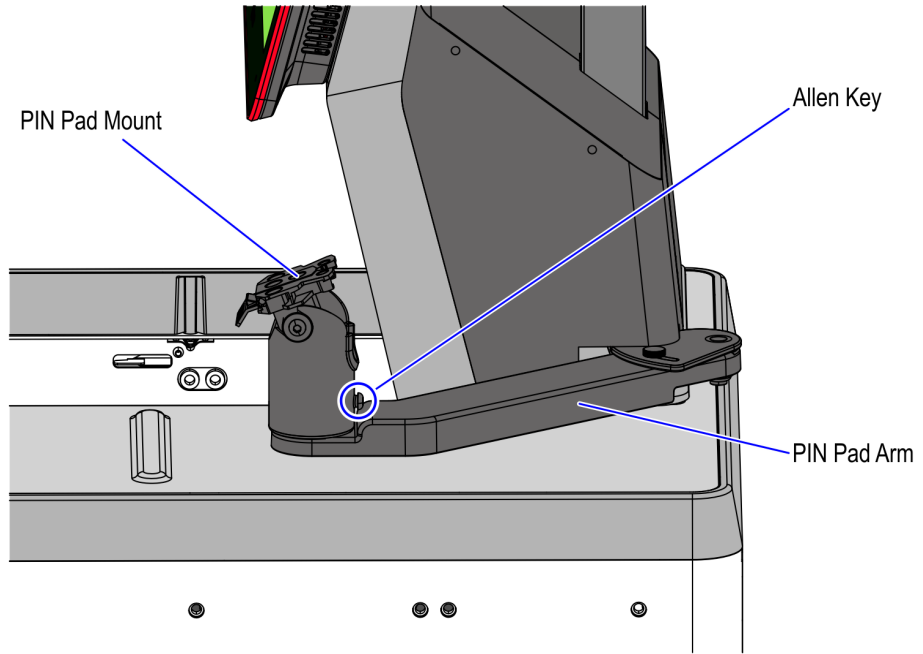
CCP-80103

2. Position the PIN Pad Mount so that its edge is approximately parallel with the Pivot Arm Surface.



CCP-80104

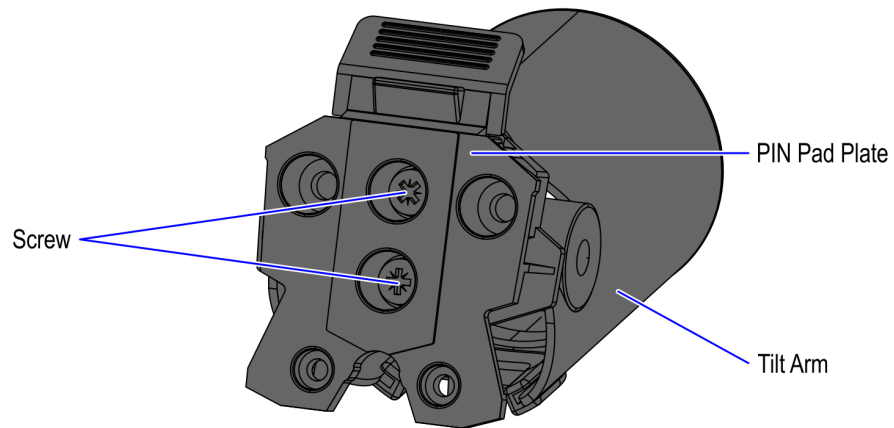
3. Fasten the PIN Pad Mount to the PIN Pad Arm using the Allen key.



Credit/Debit Only Unit

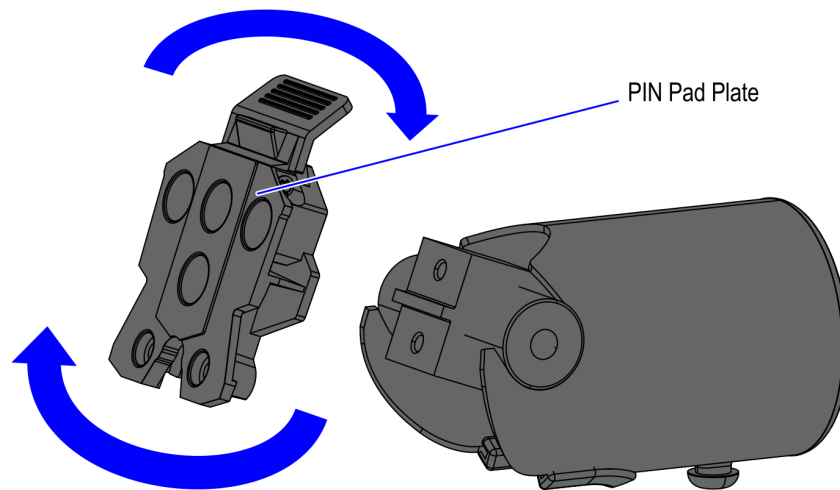
To install the PIN Pad Mount on a Credit/Debit Only configuration unit, follow these steps:

1. Using an Allen key, remove two (2) Allen head screws securing the PIN Pad Plate to the Tilt Arm.



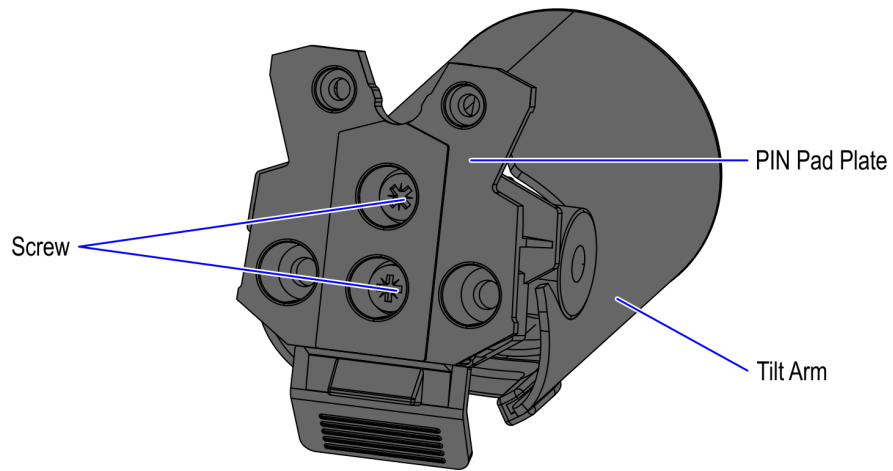
CCP-80105

2. Remove the PIN Pad Plate and rotate it to 180°, as shown in the image below.



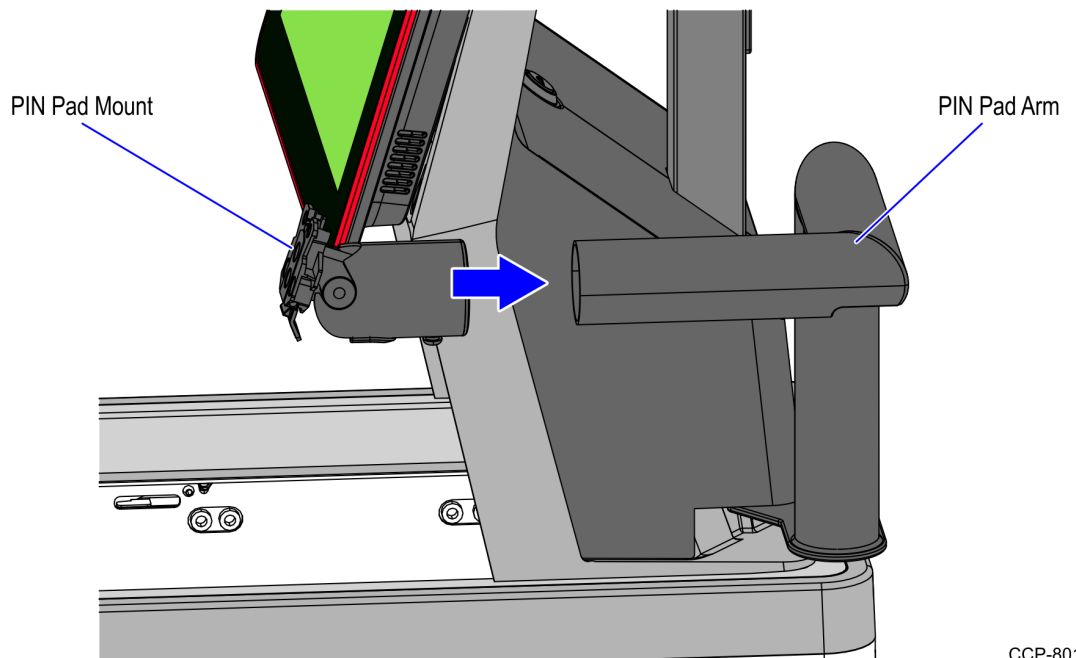
CCP-80106

3. Install the PIN Pad Plate on the Tilt Arm using two (2) Allen head screws.



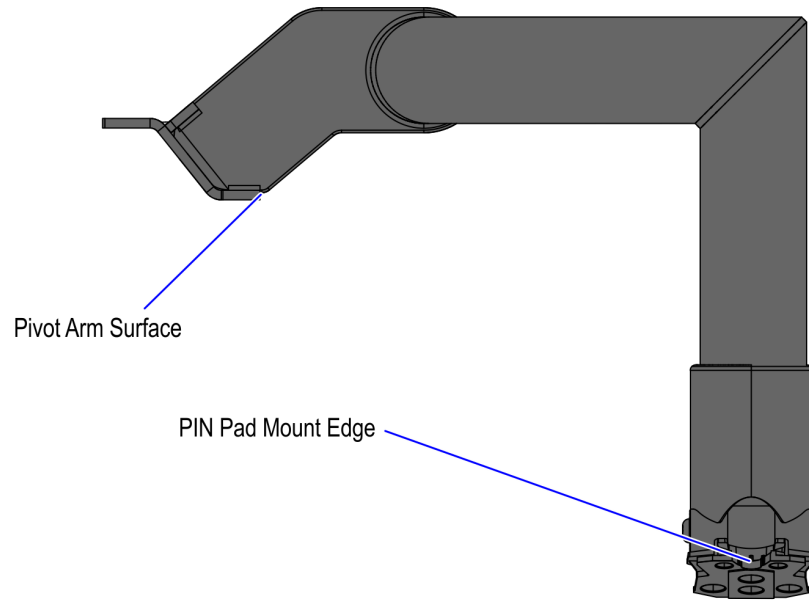
CCP-80107

4. Attach the PIN Pad Mount to the PIN Pad Arm.

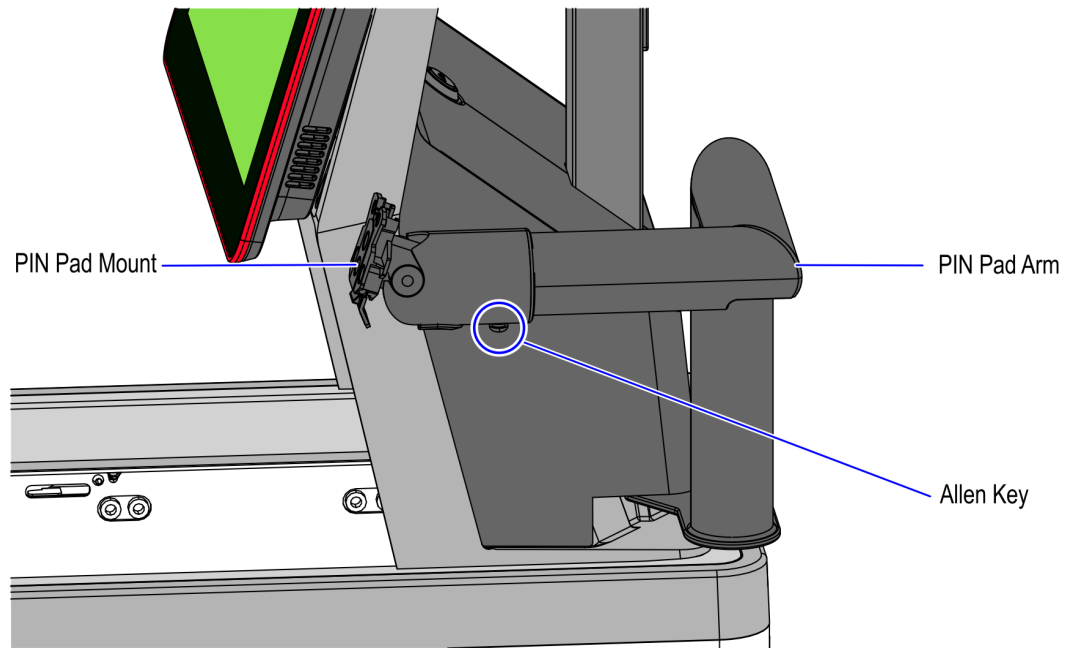


CCP-80108

5. Position the PIN Pad Mount so that its edge is approximately parallel with the Pivot Arm Surface.



6. Fasten the PIN Pad Mount to the PIN Pad Arm using the Allen key.



CCP-80110

Installing Ingenico Lane 3000/5000/7000/8000 PIN Pad

To install the Ingenico Lane 3000/5000/7000/8000 PIN Pad, follow these steps:



Note: For the purpose of illustration only, this procedure shows images using a Full Recycling (Fixed/Convertible) unit.

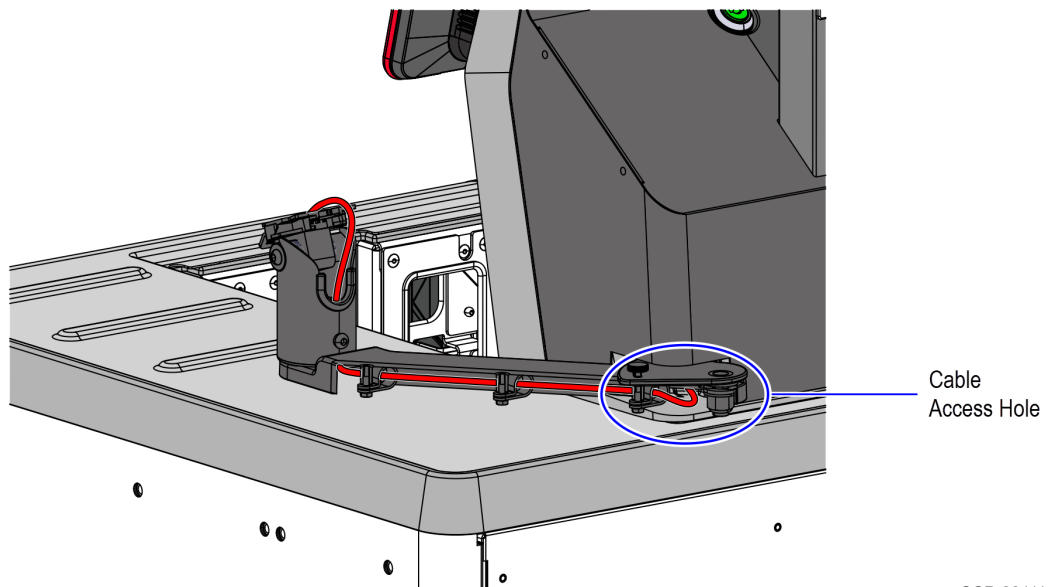


Note: The Ingenico Lane 3000/5000/7000/8000 PIN Pad is not included in the 7360-K435 *PIN Pad Kit*. For more information, contact an NCR Customer Service Representative.

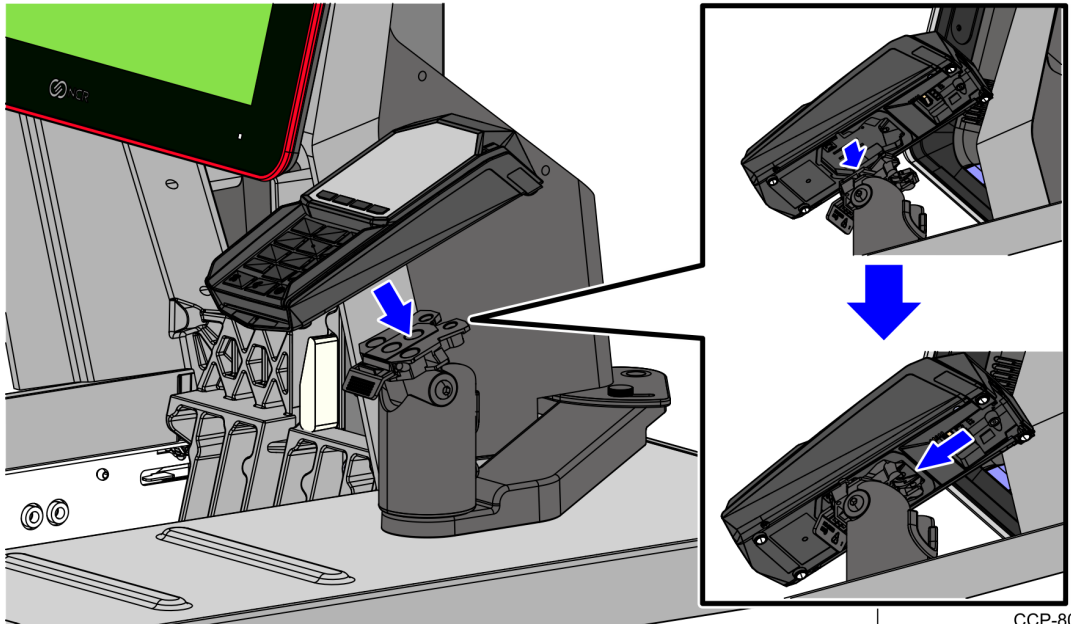
1. Connect the PIN Pad cable to the RS232/A port of the Primary Terminal Display.
2. Do the following:
 - a. Route the PIN Pad cable down to the back panel opening for the PIN Pad arm.
 - b. Route the PIN Pad cable through the cable clamps under the PIN Pad arm and out of the PIN Pad Mount, as shown in the image below.



Note: On a Narrow Core Configuration, route the cable through the PIN Pad arm and out of the PIN Pad Mount.



3. Connect the cable to the PIN Pad port.
4. Attach the PIN Pad to the PIN Pad Mount, as shown in the image below.





Note: The maximum vertical tilt of the PIN Pad Plate 80° and the minimum vertical tilt is 20° as shown in the image below.

