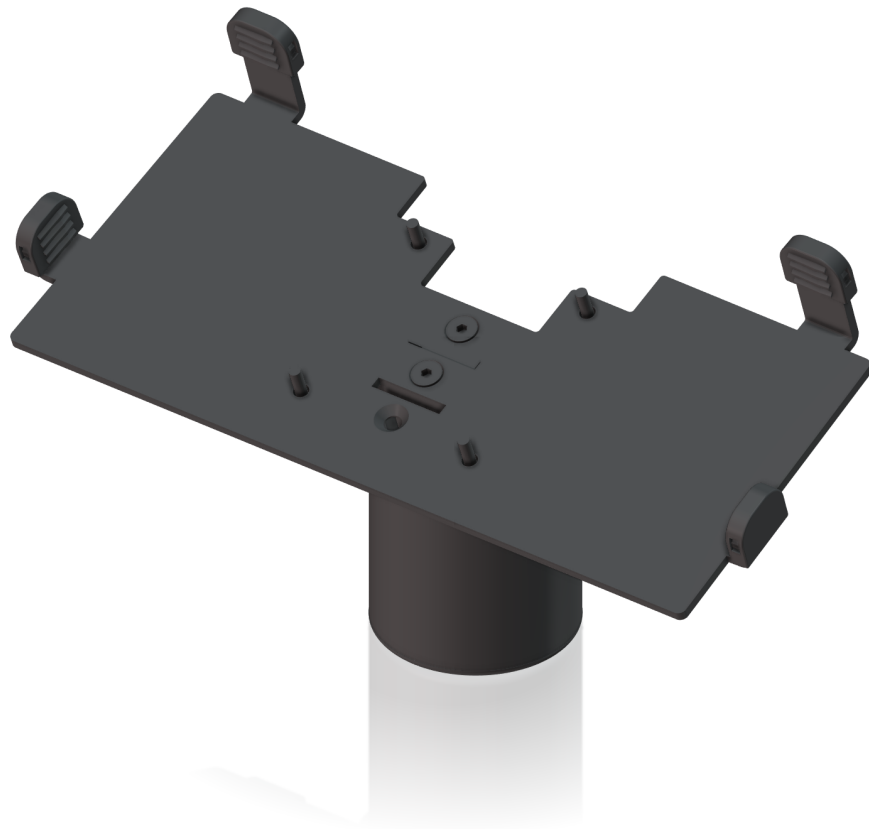


Kit Instructions

No Handle PIN Pad Mount (Equinox Luxe
8000i/8500i)



7360-K429
Issue A



The product described in this document is a licensed product of NCR Corporation.

NCR is a registered trademark of NCR Corporation. NCR FastLane SelfServ™ Checkout is a trademark of NCR Corporation in the United States and/or other countries. Other product names mentioned in this publication may be trademarks or registered trademarks of their respective companies and are hereby acknowledged.

The terms HDMI and HDMI High-Definition Multimedia Interface, and the HDMI Logo are trademarks or registered trademarks of HDMI Licensing LLC in the United States and other countries.

Where creation of derivative works, modifications or copies of this NCR copyrighted documentation is permitted under the terms and conditions of an agreement you have with NCR, NCR's copyright notice must be included.

It is the policy of NCR Corporation (NCR) to improve products as new technology, components, software, and firmware become available. NCR, therefore, reserves the right to change specifications without prior notice.

All features, functions, and operations described herein may not be marketed by NCR in all parts of the world. In some instances, photographs are of equipment prototypes. Software screen images are representative, and in some cases, may not match a customer's installed software exactly. Therefore, before using this document, consult with your NCR representative or NCR office for information that is applicable and current.

Copyright © 2022
By NCR Corporation
864 Spring St. NW
Atlanta, GA 30308
United States
All Rights Reserved

Revision Record

Issue	Date	Remarks
A	Feb 2020	First Issue

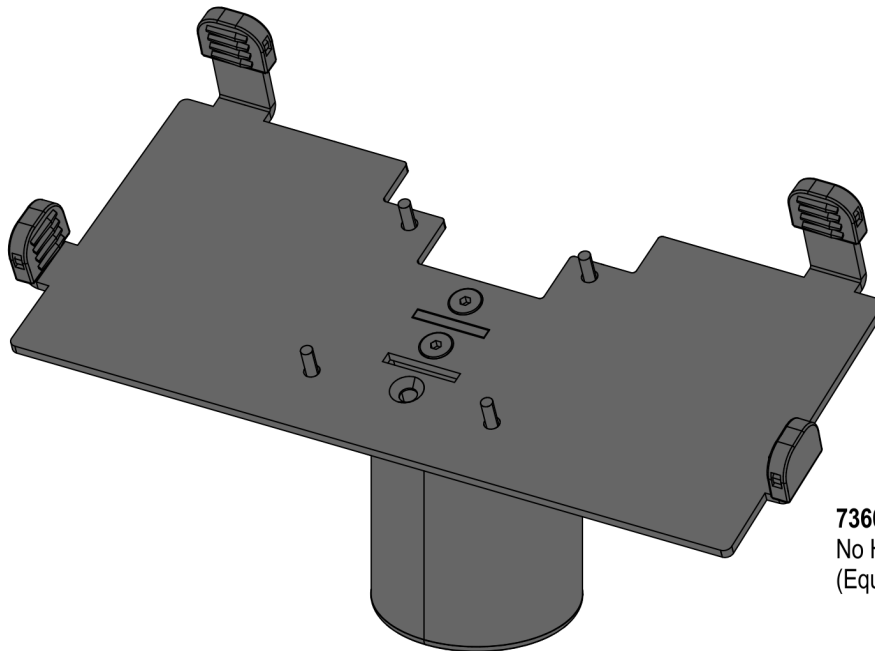
7360-K429 No Handle PIN Pad Mount (Equinox Luxe 8000i/8500i)

This publication provides procedures for installing a No Handle PIN Pad Mount for an Equinox Luxe 8000i/8500i device on an NCR FastLane SelfServ™ Checkout (7360) unit.



Note: The Equinox Luxe 8000i/8500i PIN Pad is supplied by the customer.

Kit Contents



7360-K429
No Handle PIN Pad
(Equinox Luxe 8000i/8500i)

CCP-78026

Part Number	Description
497-0527144	7360-K429 No Handle PIN Pad Mount (Equinox Luxe 8000i/8500i) Kit
* 497-0423108	Instructions - Kit (Reference Sheet)

* Items marked with an asterisk are not called out on the image.

Installation Procedures

Installing the No Handle PIN Pad Mount involves the following procedures:

- [Removing Existing PIN Pad Mount](#) on the facing page.
- [Installing No Handle PIN Pad Mount on Standard and Convertible Configuration Units](#) on page 4.
- [Installing No Handle PIN Pad Mount on a Credit/Debit Only Unit](#) on page 6.
- [Installing Equinox Luxe 8000i/8500i PIN Pad](#) on page 10.

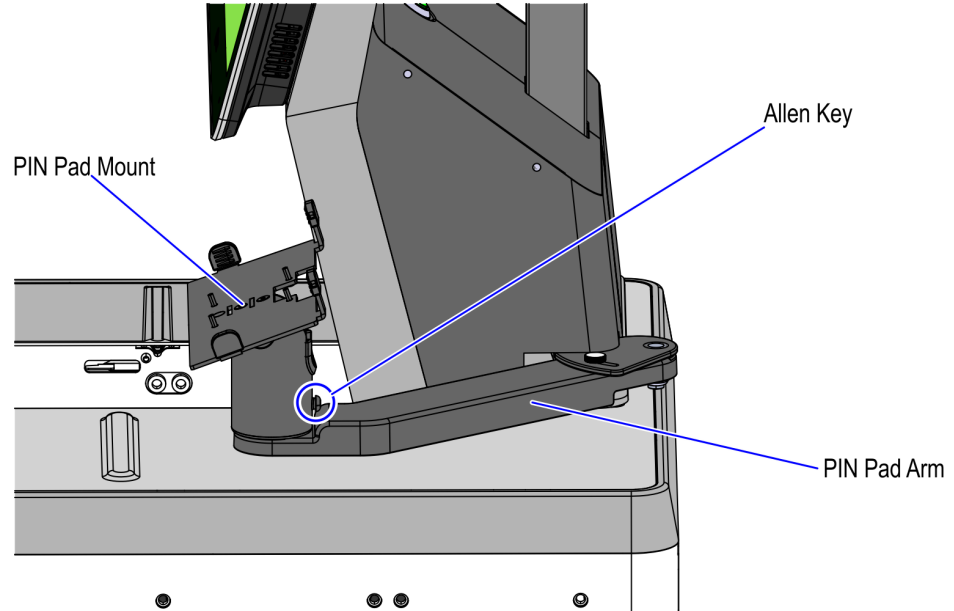


Note: The Equinox Luxe 8000i/8500i PIN Pad is not included in the 7360-K429 *No Handle PIN Pad Kit*. For more information, contact an NCR Customer Service Representative.

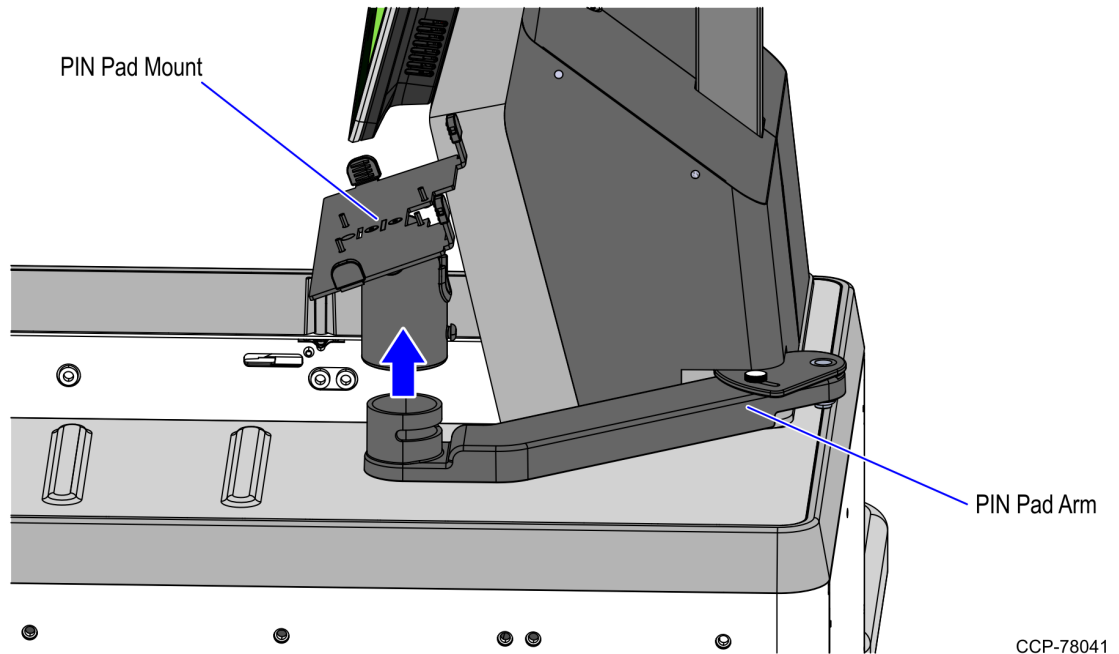
Removing Existing PIN Pad Mount

To remove the existing PIN Pad Mount, follow these steps:

1. Remove the Allen key securing the PIN Pad Mount to the PIN Pad Arm.



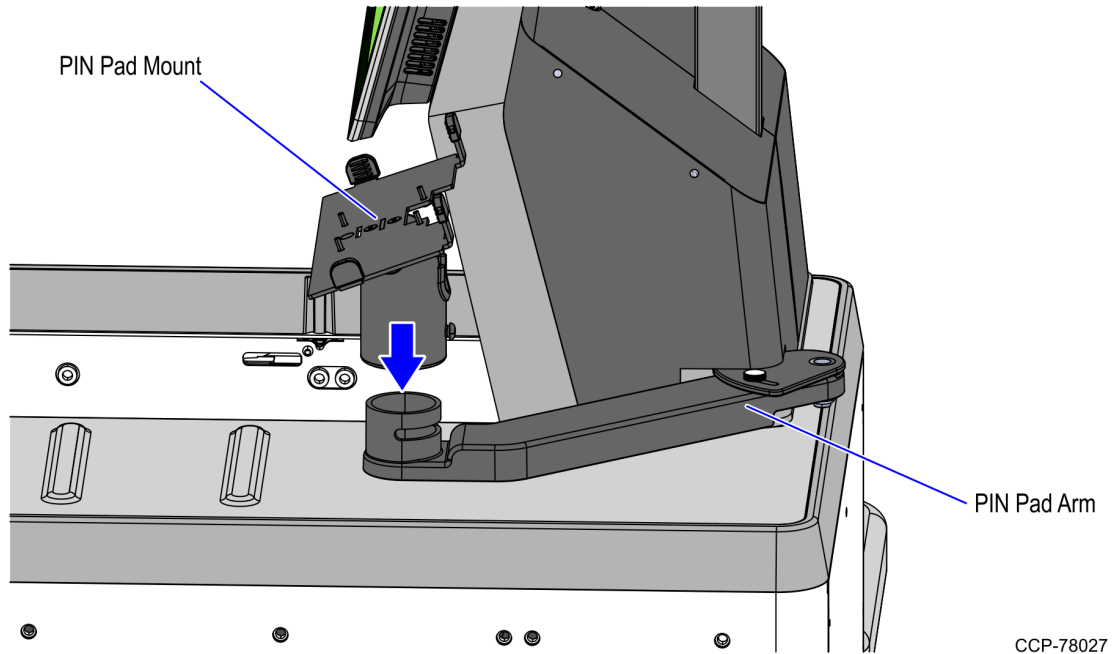
2. Lift the PIN Pad Mount to remove the mount from the PIN Pad Arm as shown in the images below.



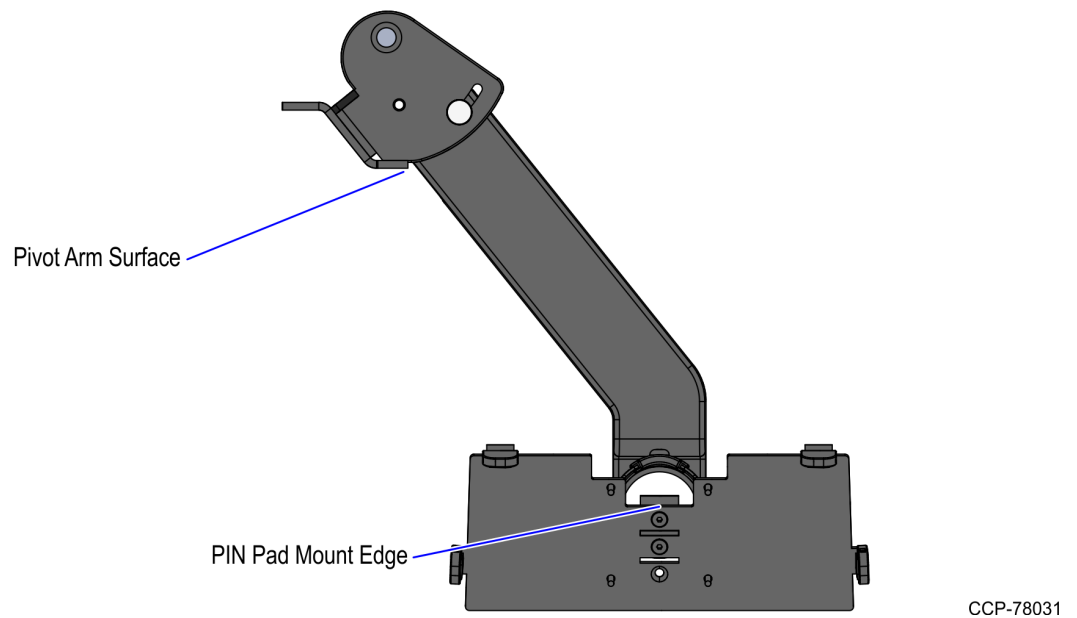
Installing No Handle PIN Pad Mount on Standard and Convertible Configuration Units

To install the PIN Pad Mount on a Standard or Convertible unit, follow these steps:

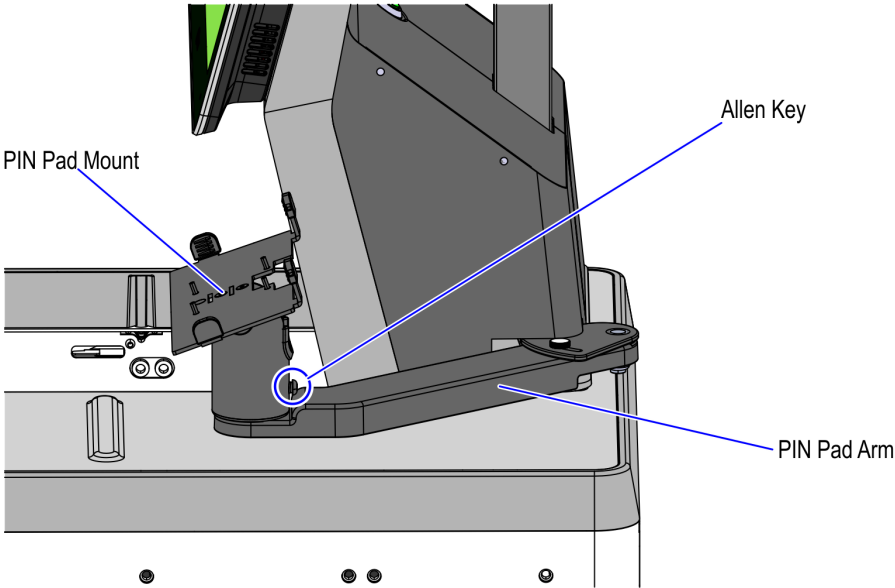
1. Mount the PIN Pad Mount onto the PIN Pad Arm.



2. Position the PIN Pad Mount so that its edge is approximately parallel with the Pivot Arm Surface.



3. Fasten the PIN Pad Mount to the PIN Pad Arm using the Allen key.

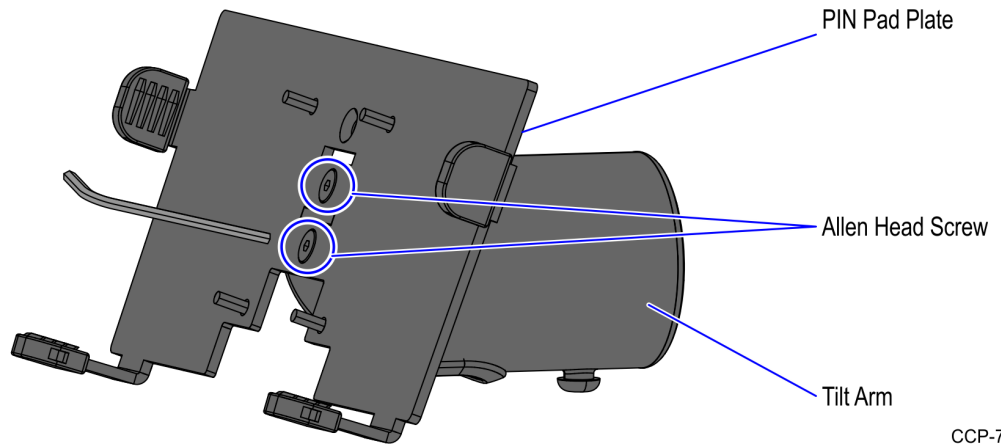


CCP-78033

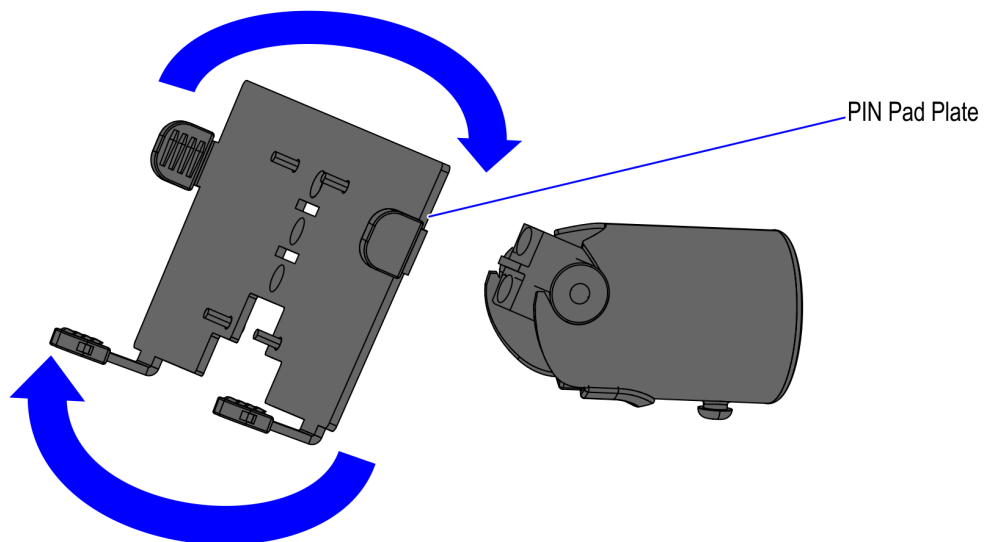
Installing No Handle PIN Pad Mount on a Credit/Debit Only Unit

To install the No Handle PIN Pad Mount on a Credit/Debit Only configuration unit, follow these steps:

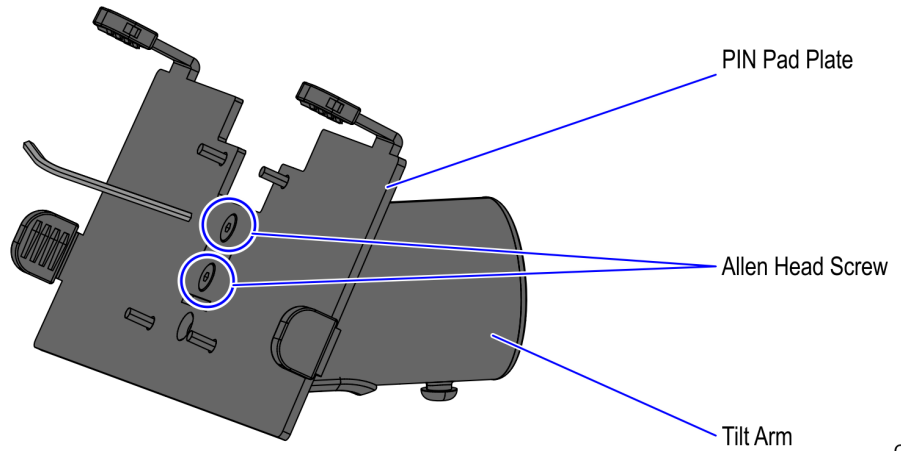
1. Using an Allen key, remove two (2) Allen head screws securing the PIN Pad Plate to the Tilt Arm.



2. Remove the PIN Pad Plate and rotate it to 180°, as shown in the image below.

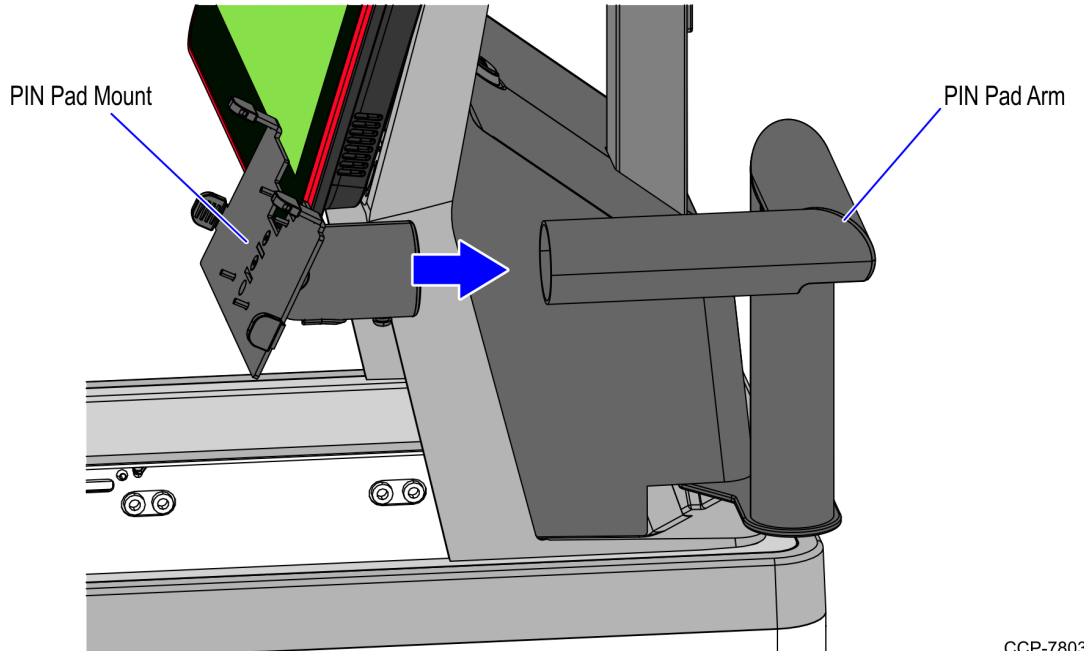


3. Install the PIN Pad Plate on the Tilt Arm using two (2) Allen head screws.



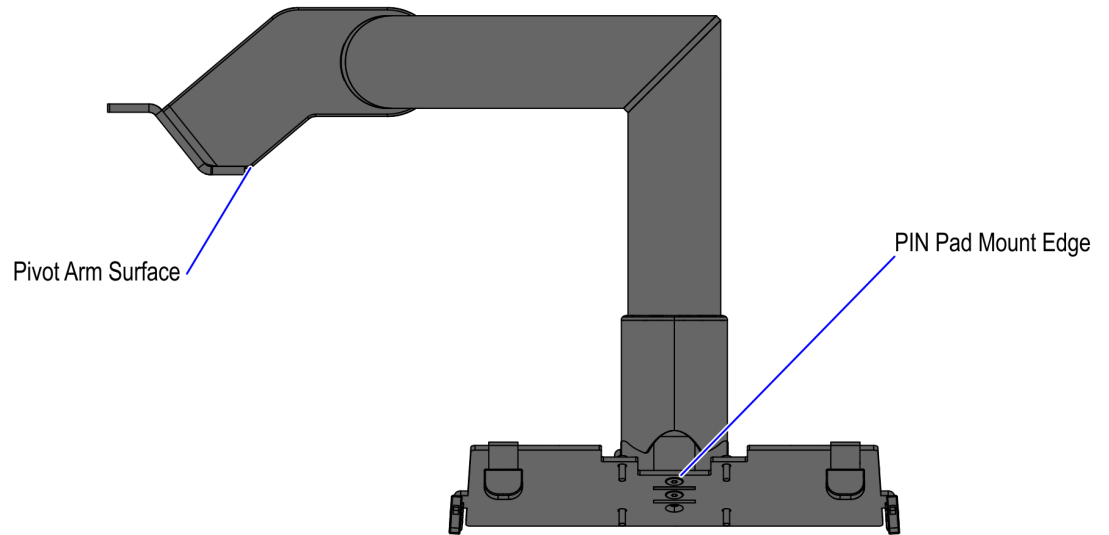
CCP-78038

4. Mount the PIN Pad Mount onto the PIN Pad Arm.



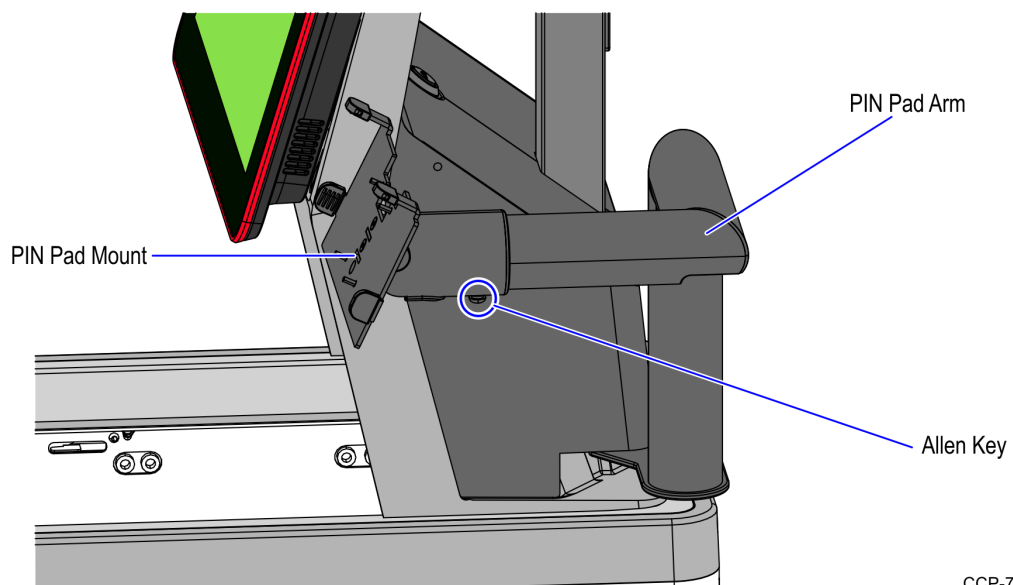
CCP-78030

5. Position the PIN Pad Mount so that its edge is approximately parallel with the Pivot Arm Surface.



CCP-78032

6. Fasten the PIN Pad Mount to the PIN Pad Arm using the Allen key.



CCP-78035

Installing Equinox Luxe 8000i/8500i PIN Pad

To install the Equinox Luxe 8000i/8500i PIN Pad, follow these steps:



Note: For the purpose of illustration only, this procedure shows images using a Standard Configuration unit.

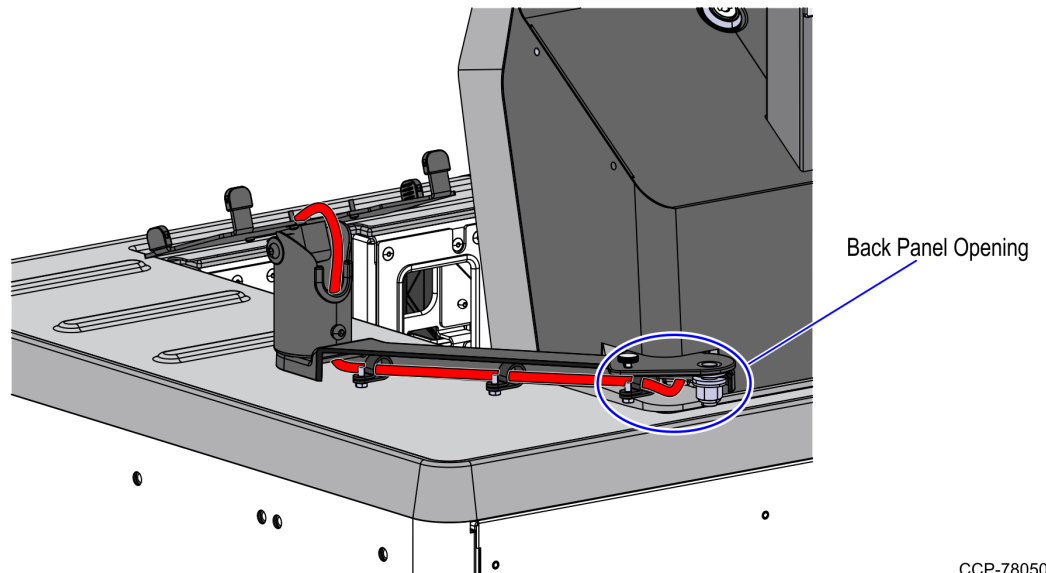


Note: The Equinox Luxe 8000i/8500i PIN Pad is not included in the 7360-K429 *No Handle PIN Pad Kit*. For more information, contact an NCR Customer Service Representative.

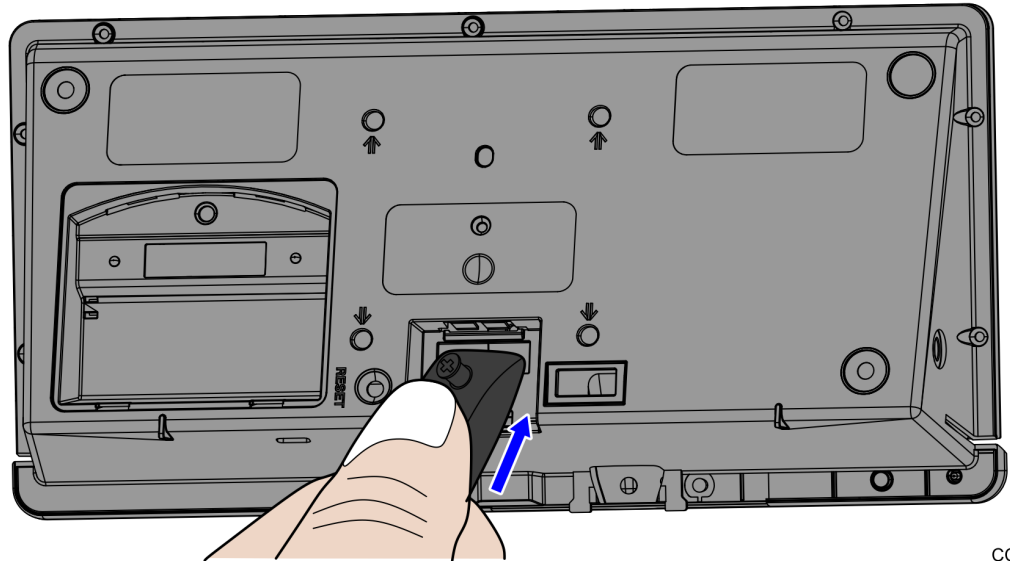
1. Connect the PIN Pad cable to the RS232/A port of the Primary Terminal Display.
2. Do the following:
 - a. Route the PIN Pad cable down to the back panel opening for the PIN Pad arm.
 - b. Route the PIN Pad cable through the cable clamps under the PIN Pad arm and out of the PIN Pad Mount, as shown in the image below.



Note: On a Credit/Debit Only Configuration, route the cable through the PIN Pad arm and out of the PIN Pad Mount.

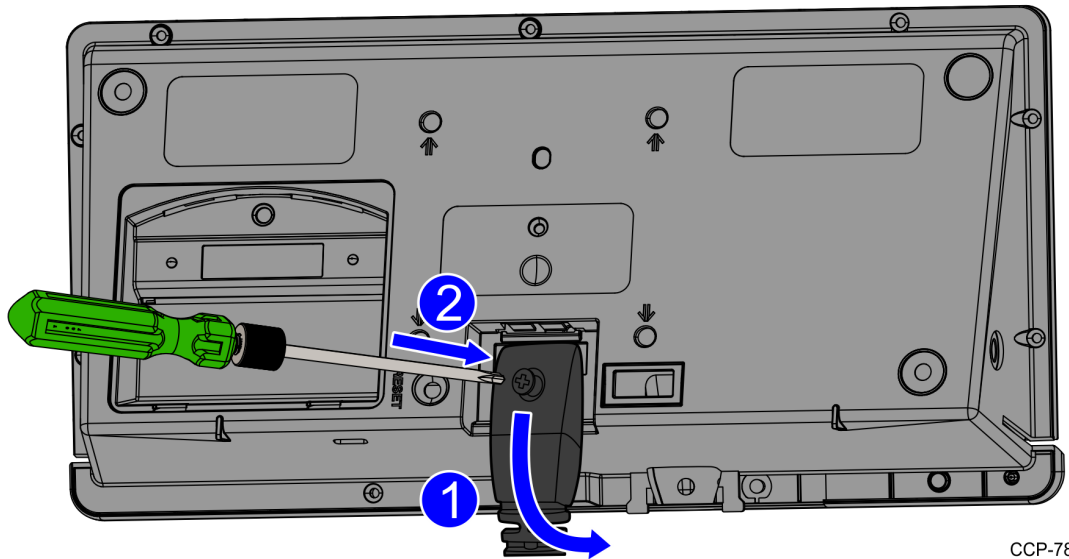


3. Turn the PIN Pad over and then connect the cable to the PIN Pad port by pushing the cable at an angle, as shown in the image below.



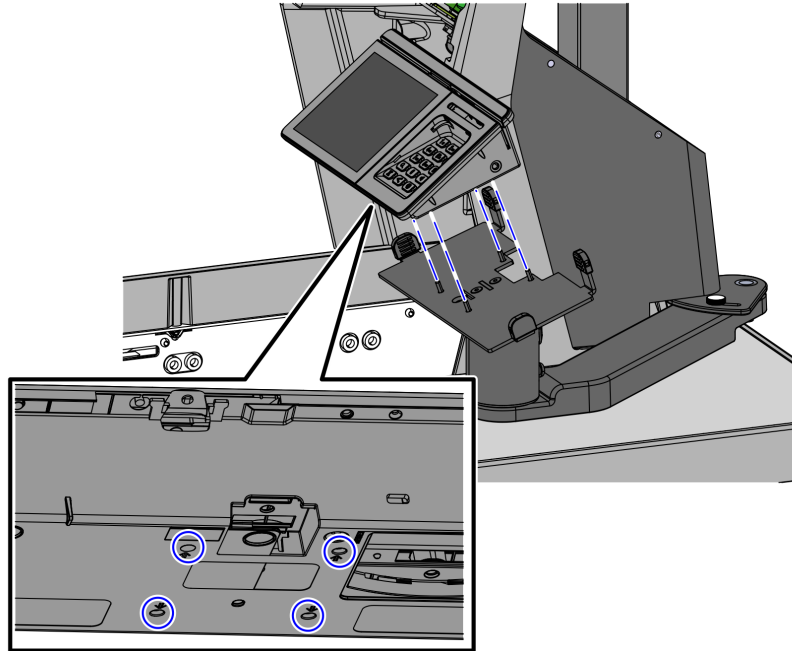
CCP-78039

4. Press the cable to lock in place and then secure the cable to the PIN Pad using a screw, as shown in the image below.



CCP-78040

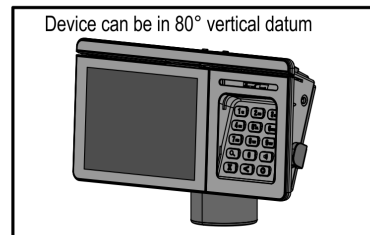
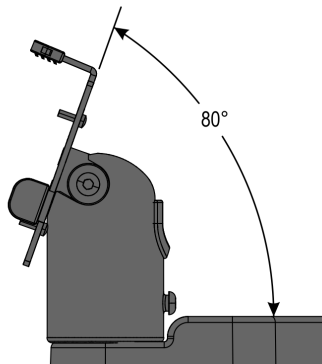
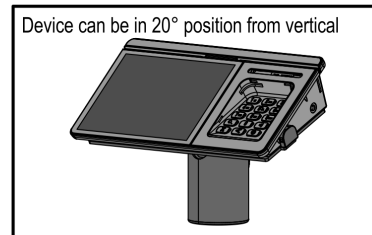
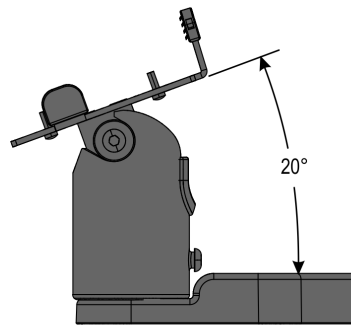
5. Mount the PIN Pad to the four (4) studs at the back of the PIN Pad Mount, as shown in the image below.



CCP-78051



Note: The maximum vertical tilt is 80° and the minimum vertical tilt is 20° as shown in the image below.



CCP-78052