

Kit Instructions

7360 Narrow Core (R6N) PIN Pad Arm



7360-K413
Issue B



The product described in this document is a licensed product of NCR Corporation.

NCR is a registered trademark of NCR Corporation. NCR FastLane SelfServ™ Checkout is a trademark of NCR Corporation in the United States and/or other countries. Other product names mentioned in this publication may be trademarks or registered trademarks of their respective companies and are hereby acknowledged.

The terms HDMI and HDMI High-Definition Multimedia Interface, and the HDMI Logo are trademarks or registered trademarks of HDMI Licensing LLC in the United States and other countries.

Where creation of derivative works, modifications or copies of this NCR copyrighted documentation is permitted under the terms and conditions of an agreement you have with NCR, NCR's copyright notice must be included.

It is the policy of NCR Corporation (NCR) to improve products as new technology, components, software, and firmware become available. NCR, therefore, reserves the right to change specifications without prior notice.

All features, functions, and operations described herein may not be marketed by NCR in all parts of the world. In some instances, photographs are of equipment prototypes. Software screen images are representative, and in some cases, may not match a customer's installed software exactly. Therefore, before using this document, consult with your NCR representative or NCR office for information that is applicable and current.

To maintain the quality of our publications, we need your comments on the accuracy, clarity, organization, and value of this book. Please use the link below to send your comments.

Email: FD230036@ncr.com

Copyright © 2019
By NCR Corporation
Global Headquarters
864 Spring St NW
Atlanta, GA 30308
U.S.A.
All Rights Reserved

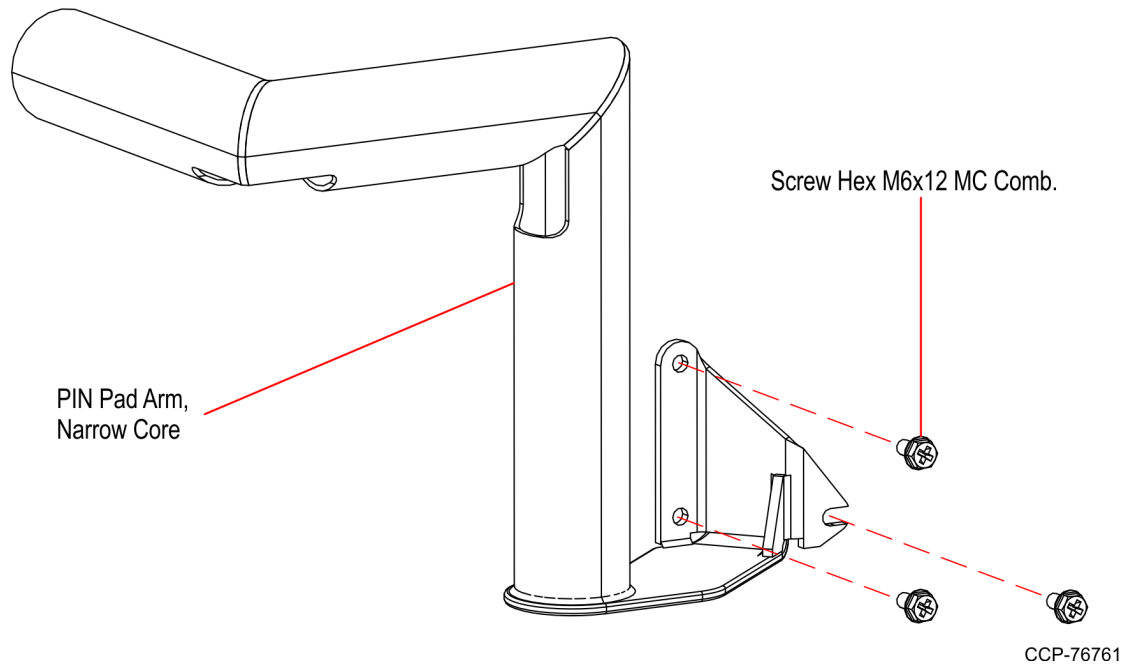
Revision Record

Issue	Date	Remarks
A	May 2019	First Issue
B	June 2019	Added to IP Kit Repository site with HTML version.

7360-K413 7360 Narrow Core (R6N) PIN Pad Arm

This publication provides procedures for installing a 7360 Narrow Core (R6N) PIN Pad Arm to an NCR FastLane SelfServ™ Checkout (7360) Standard Core unit.

Kit Contents



Part Number	Description
497-0525845	7360-K413 Kit – PIN Pad, R6C
497-0512963	PIN Pad Arm, Narrow Core
009-006599	Screw Hex M6 x 12 MC Comb, (3pcs)
* 006-8623359	Bag, 2 x 2 Zip Lock
* 497-0423108	Instructions Kit (Reference Sheet)

* Items marked with an asterisk are not called out on the image.

Required Tools

The following tools are required for removing and installing the R6C PIN Pad Arm.

- # 2 Phillips Screw Driver
- 3 mm Allen Key

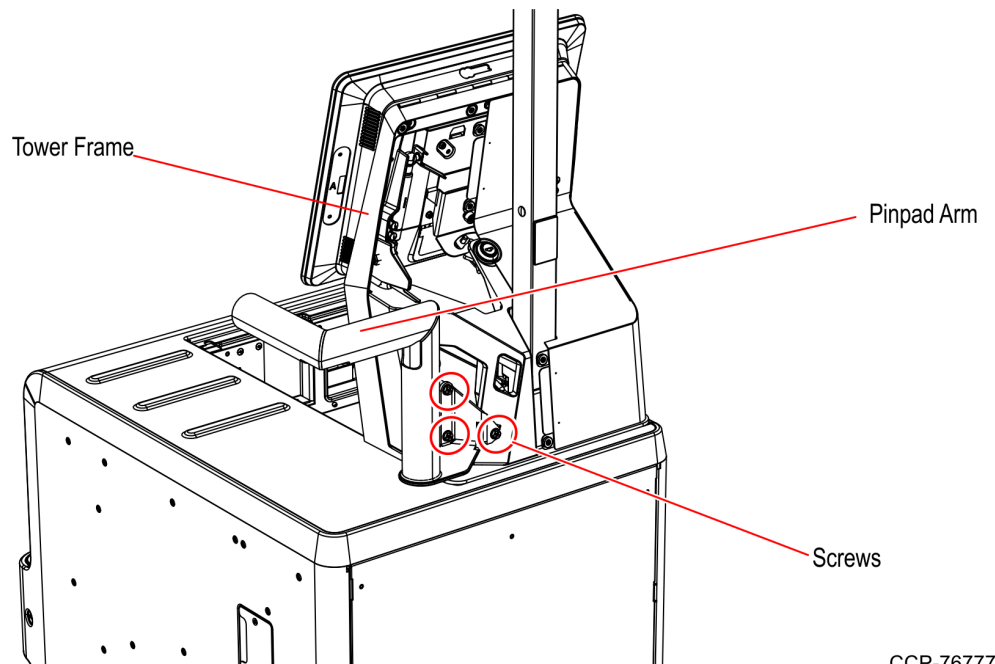


Note: Use a magnetized screwdriver to easily handle the screws.

Installation Procedures

To install the R6N PIN Pad Arm, follow these steps:

1. Remove the following components, if necessary:
 - Remove the No PIN Pad Blanking Plate, if the unit is not configured with a PIN Pad. For more information, refer to [Removing No PIN pad Blanking Plate](#) on page 5.
 - Remove the existing PIN Pad Mount. For more information, refer to [Removing Existing PIN pad Mount](#) on page 8.
 - Remove the existing PIN Pad Arm. For more information, refer to [Removing Existing PIN Pad Arm](#) on page 9.
2. Secure the PIN Pad Arm to the tower frame using three (3) screws, as shown in the image below.

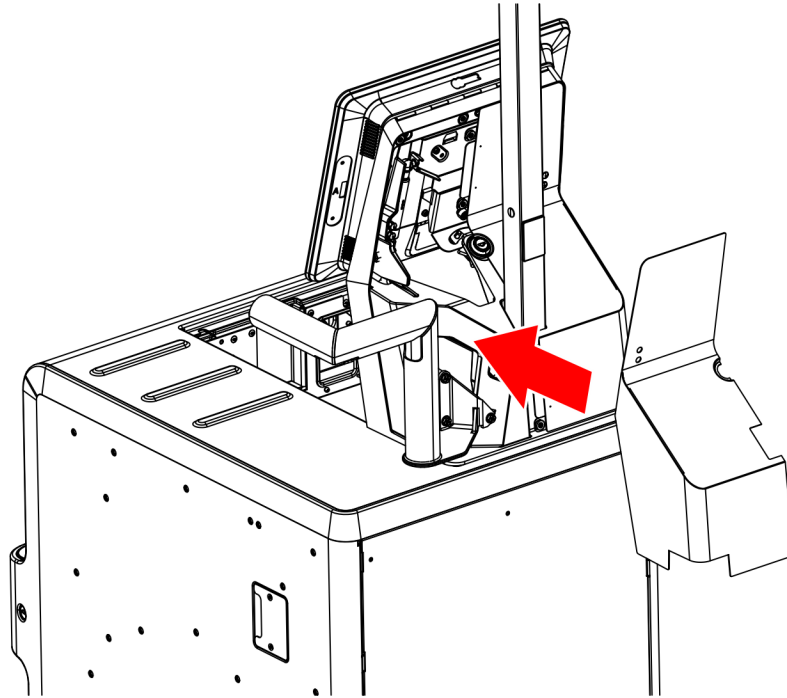


CCP-76777



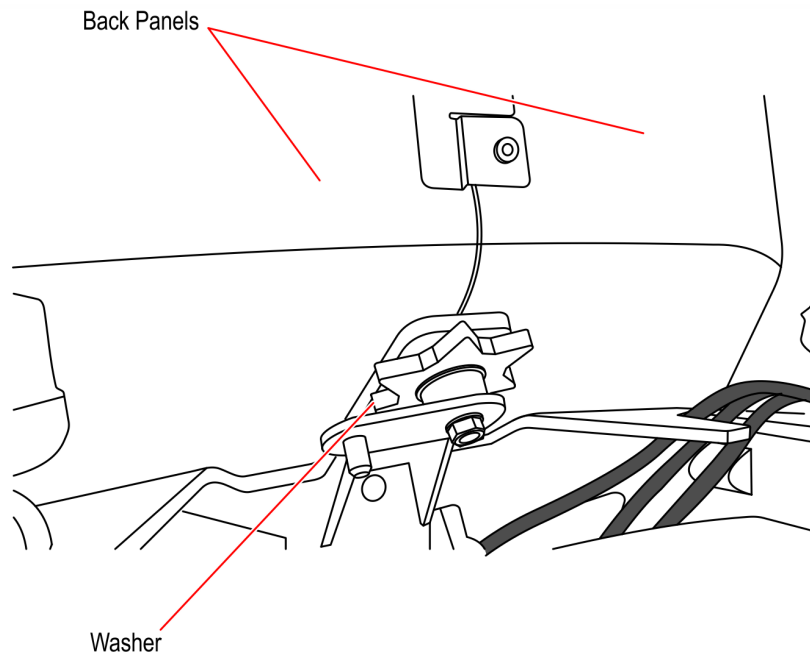
Note: To install the PIN Pad Mount to the PIN Pad Arm, refer to [7360 PIN Pad Mount Kit Instructions](#).

3. Install the back panel to the tower frame.



CCP-76780

4. Tighten the star-shaped washer around the keylock assembly by turning it clockwise.



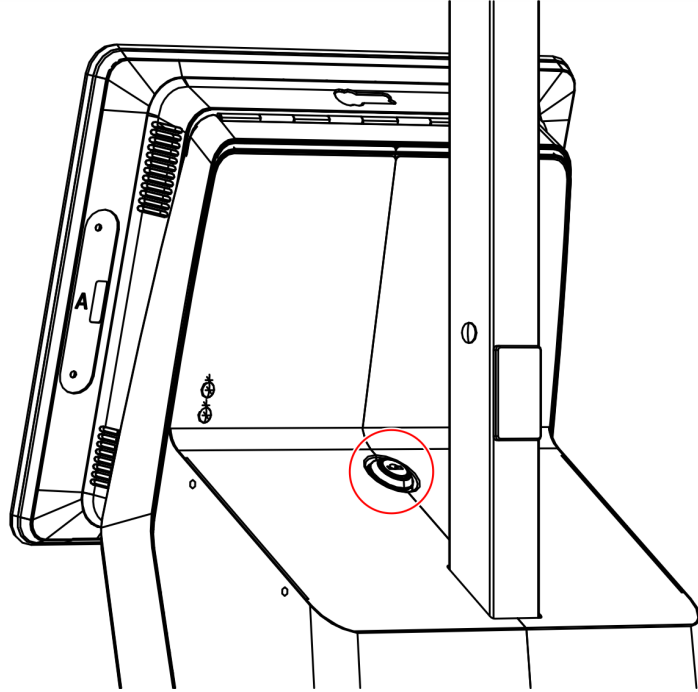
CCP-60748

5. Lower the Terminal Display and lock the tower.

Removing No PIN pad Blanking Plate

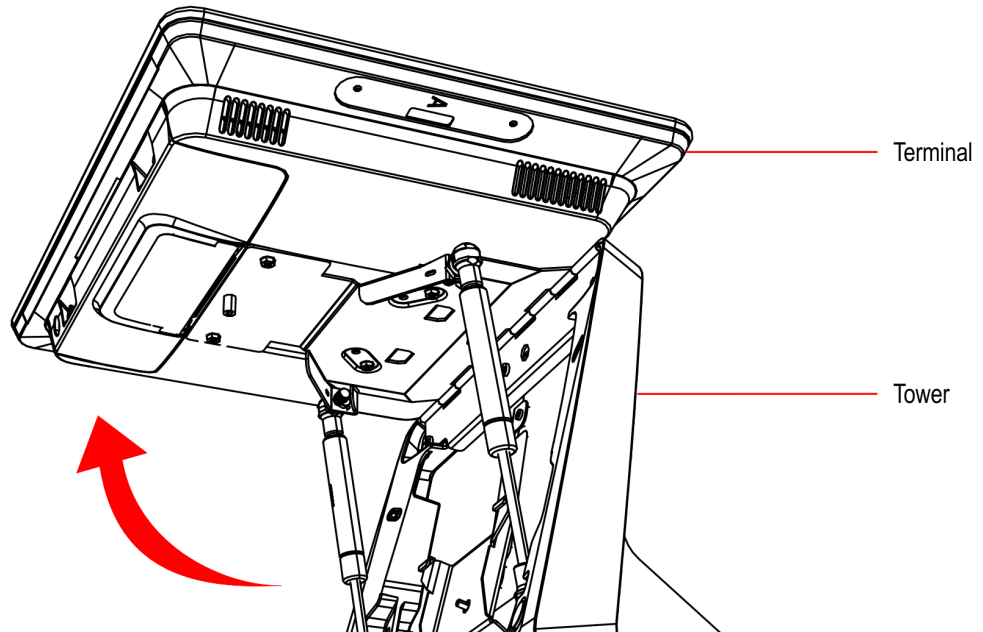
To remove the No PIN pad Blanking Plate, follow these steps:

1. Unlock the tower frame using a key.



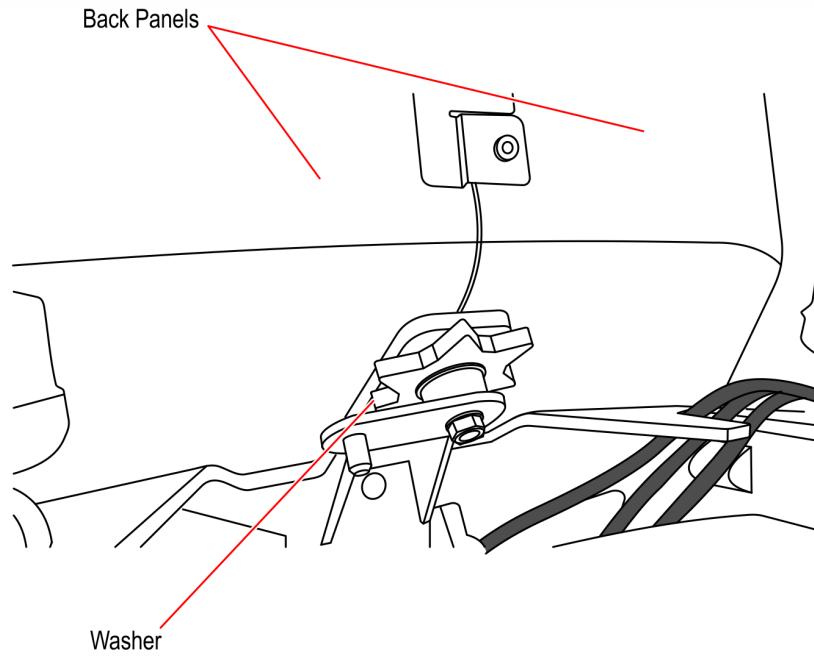
CCP-61622

2. Raise the Terminal Display.



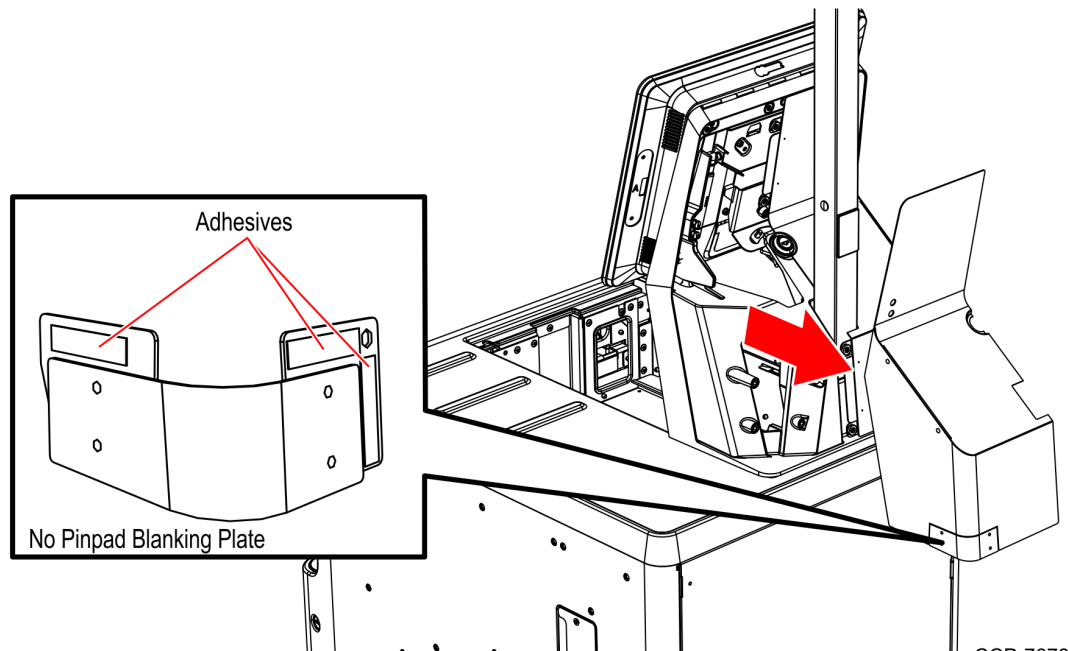
CCP-62073

- Loosen the star-shaped washer around the key lock assembly by turning it counterclockwise.



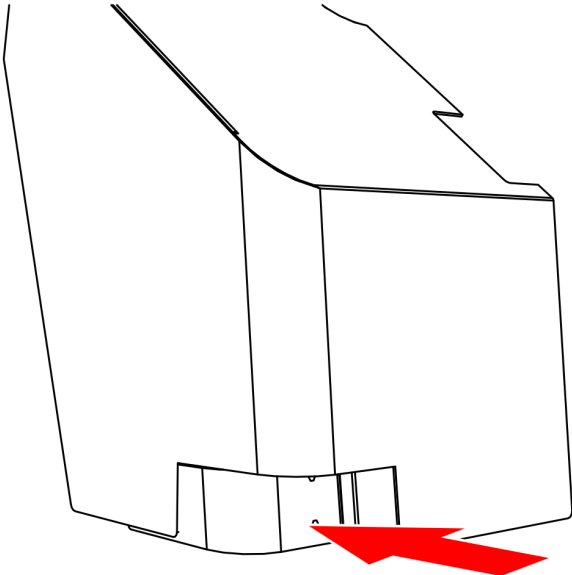
CCP-60748

- Remove the back panel with the No PIN pad Blanking Plate from the tower assembly.



CCP-76788

5. Push the No PIN pad Blanking Plate out of the back panel.



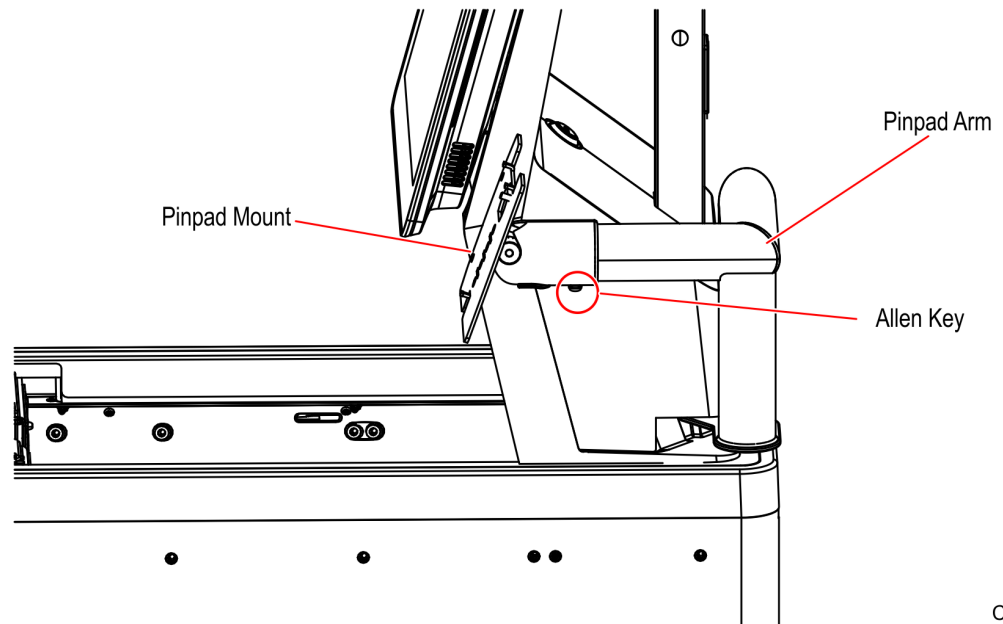
Removing Existing PIN pad Mount

To remove the existing PIN pad Mount, follow these steps:

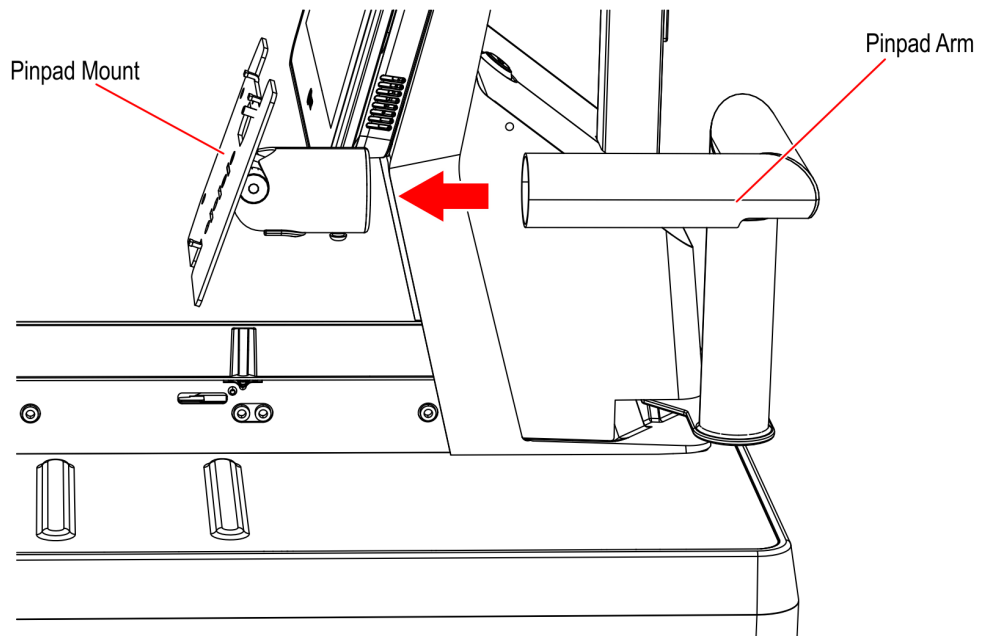


Note: The NCR FastLane SelfServ Checkout (7360) unit supports thirteen different PIN Pad Mounts. For more information about 7360 PIN Pad Mount, refer to [PIN Pad Mount Kit Instructions](#).

1. Remove the allen screw securing the PIN pad Mount to the PIN pad Arm.



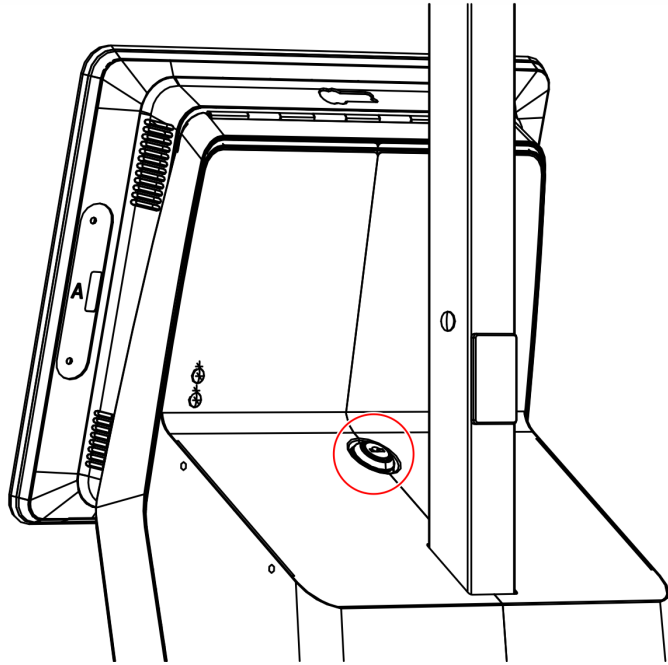
2. Remove the PIN pad Mount from the PIN pad Arm as shown in the images below.



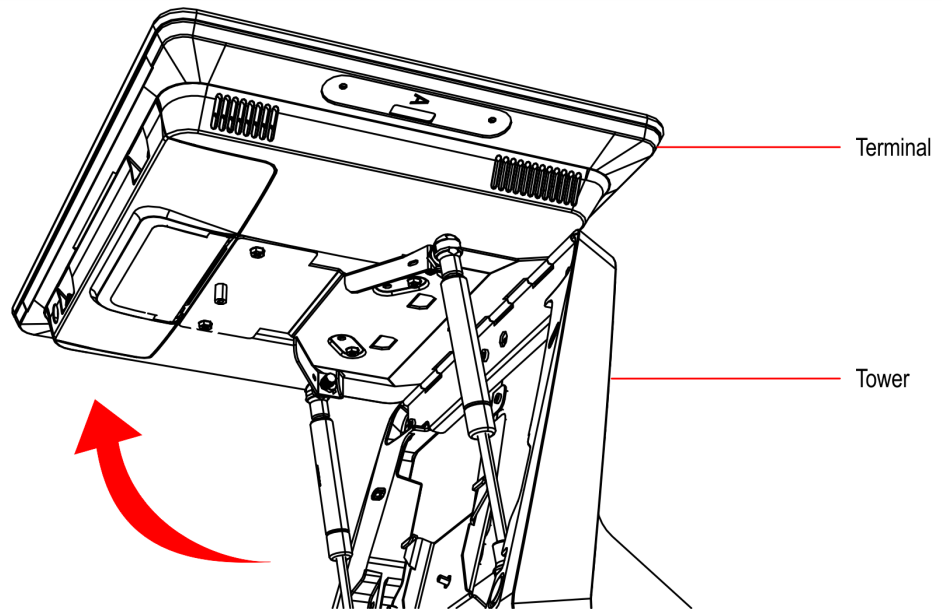
Removing Existing PIN Pad Arm

To remove the existing PIN pad Arm, follow these steps:

1. Remove the PIN pad Mount from the PIN pad Arm. For more information, refer to [Removing Existing PIN pad Mount](#) on the previous page.
2. Remove the back panel from the Tower frame by doing the following:
 - a. Unlock the tower frame using a key.

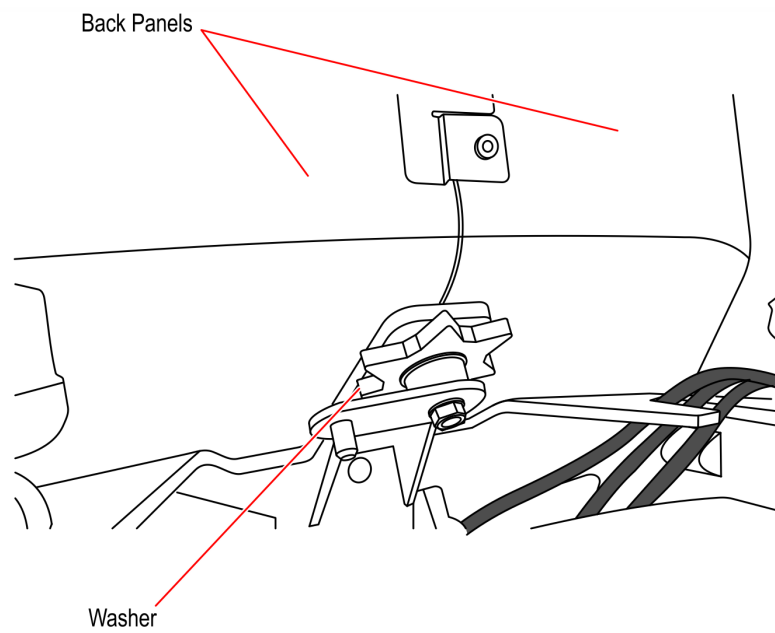


- b. Raise the Terminal Display.



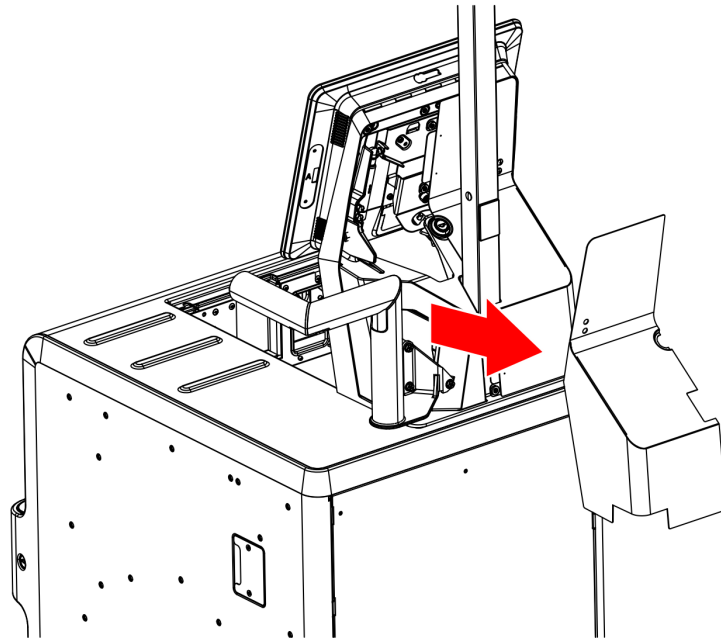
CCP-62073

- c. Loosen the star-shaped washer around the keylock assembly by turning it counterclockwise.



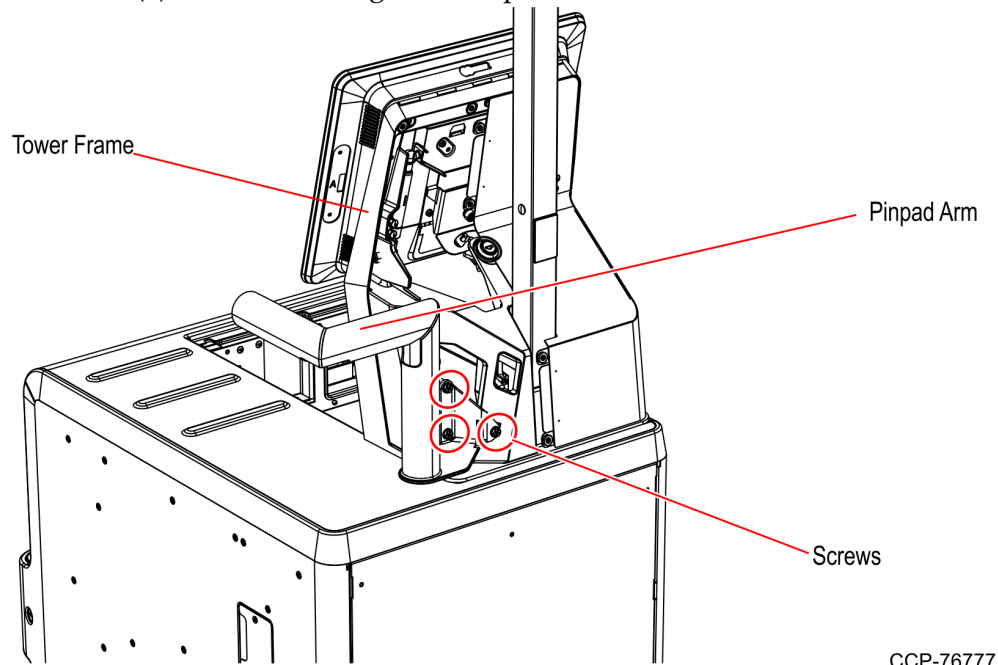
CCP-60748

- d. Remove the back panel from the tower assembly.



CCP-76779

- 3. Remove the three (3) screws securing the PIN pad Arm to the Tower Frame.



CCP-76777