

Kit Instructions

Pinpad Mount

7360-K402 to K412, K425 to K426
Issue D



The product described in this document is a licensed product of NCR Corporation.

NCR is a registered trademark of NCR Corporation. NCR FastLane SelfServ™ Checkout is a trademark of NCR Corporation in the United States and/or other countries. Other product names mentioned in this publication may be trademarks or registered trademarks of their respective companies and are hereby acknowledged.

The terms HDMI and HDMI High-Definition Multimedia Interface, and the HDMI Logo are trademarks or registered trademarks of HDMI Licensing LLC in the United States and other countries.

Where creation of derivative works, modifications or copies of this NCR copyrighted documentation is permitted under the terms and conditions of an agreement you have with NCR, NCR's copyright notice must be included.

It is the policy of NCR Corporation (NCR) to improve products as new technology, components, software, and firmware become available. NCR, therefore, reserves the right to change specifications without prior notice.

All features, functions, and operations described herein may not be marketed by NCR in all parts of the world. In some instances, photographs are of equipment prototypes. Therefore, before using this document, consult with your NCR representative or NCR office for information that is applicable and current.

To maintain the quality of our publications, we need your comments on the accuracy, clarity, organization, and value of this book. Please use the link below to send your comments.

EMail: FD230036@ncr.com

Copyright © 2016-2018

By NCR Corporation

Duluth, GA U.S.A.

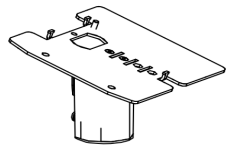
All Rights Reserved

Revision Record

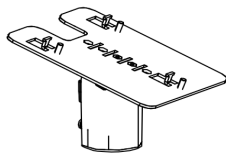
Issue	Date	Remarks
A	Sep 2016	First issue.
B	Jun 2017	Updated IP PDF template.
C	Oct 2017	<ul style="list-style-type: none">• Updated Pinpad Pivot Mount• Added 7360-K425 Verifone VX825 Pinpad Mount• Added 7360-K426 Ingenico 5000 Pinpad Mount• Added illustrations for Narrow Core Unit
D	Feb 2018	<ul style="list-style-type: none">• Added instructions and illustrations on installing Pinpad Mount for Narrow Core.• Added illustrations on mounting points for Standard Unit and Narrow Core Units.• Added illustrations on the Pinpad tilt for Narrow Core Unit.

Pinpad Mount

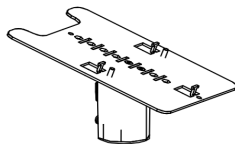
The kit contains a Pinpad Mount to add to the NCR FastLane SelfServ™ Checkout 7360. There are thirteen different Pinpad Mount Kits.



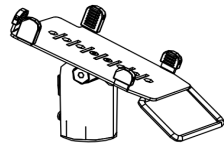
7360-K402
Verifone MX800 Pinpad Mount



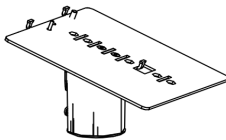
7360-K403
Ingenico ISC250 Pinpad Mount



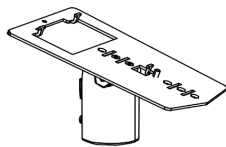
7360-K404
Ingenico ISC480 Pinpad Mount



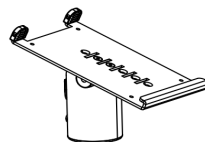
7360-K405
Ingenico IPP320/350 Pinpad Mount



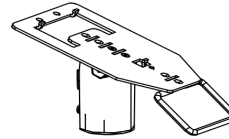
7360-K406
Verifone MX915/925 Pinpad Mount



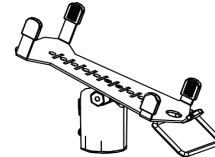
7360-K407
Equinox L5300 Pinpad Mount



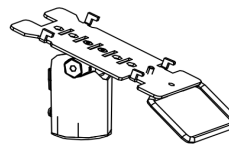
7360-K426
Ingenico 5000 Pinpad Mount



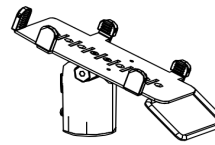
7360-K408
Equinox T4200 Pinpad Mount



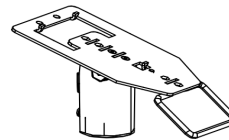
7360-K409
Equinox H5000 Pinpad Mount



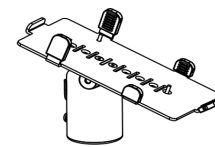
7360-K410
Banksys Yomani Pinpad Mount



7360-K411
Verifone VX820 Pinpad Mount



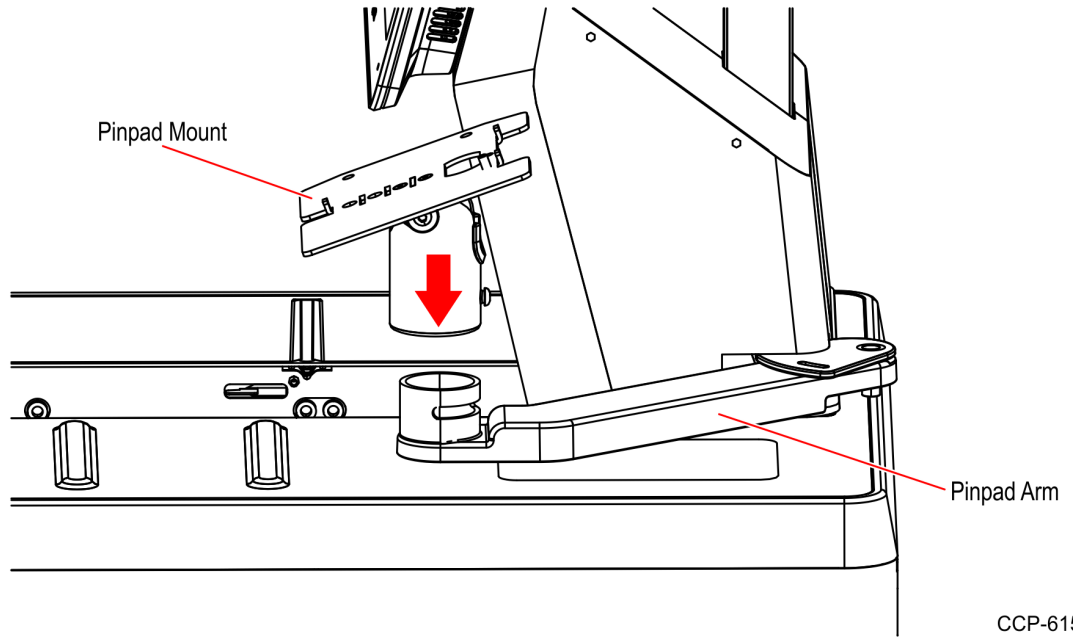
7360-K412
Equinox L4200 Pinpad Mount



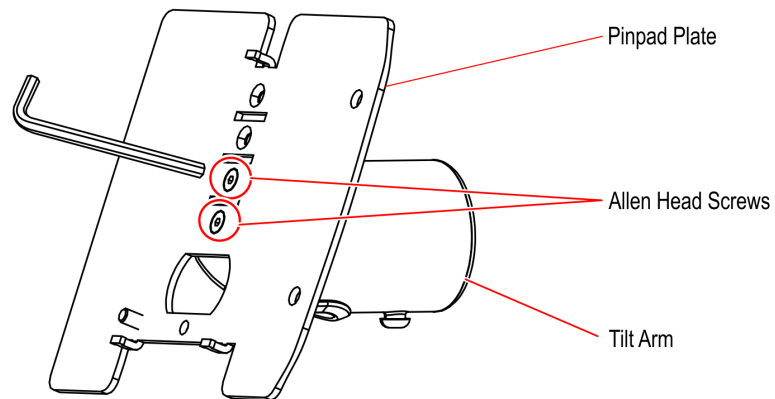
7360-K425
Verifone VX825 Pinpad Mount

Installation Procedure

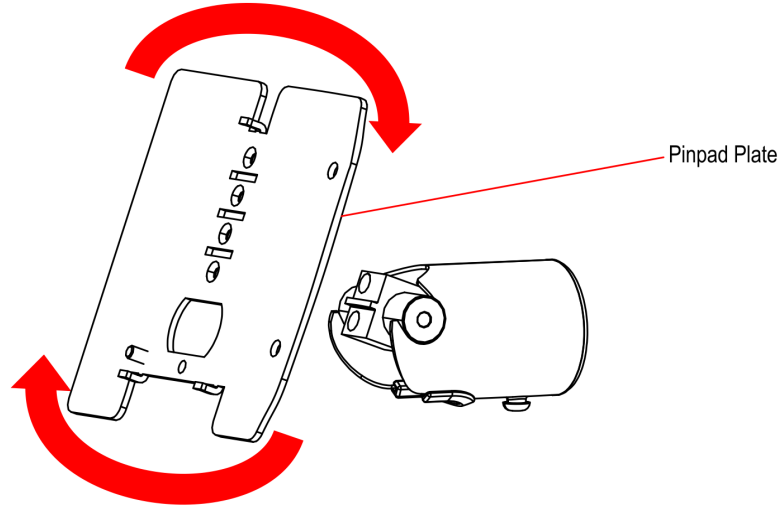
1. Install the Pinpad Mount to the Pinpad Arm. Depending on the existing configuration, do any of the following:
 - For Standard or Convertible Units, refer to the image below as an example:



- For Narrow Core Units, do the following:
 - a. Using the allen key, remove two allen head screws securing the Pinpad Plate to the Tilt Arm.

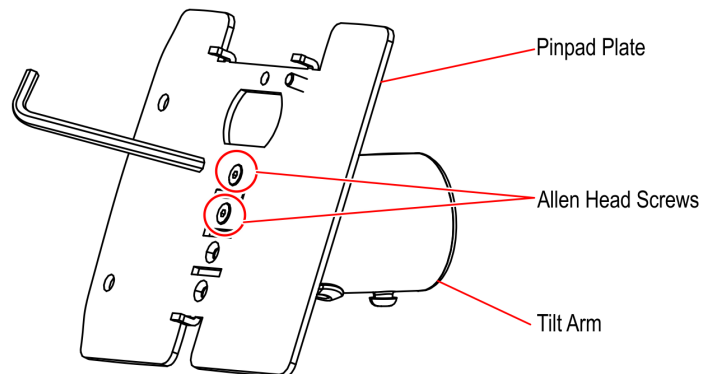


- b. Remove the Pinpad Plate and rotate it to 180° as shown in the image below.



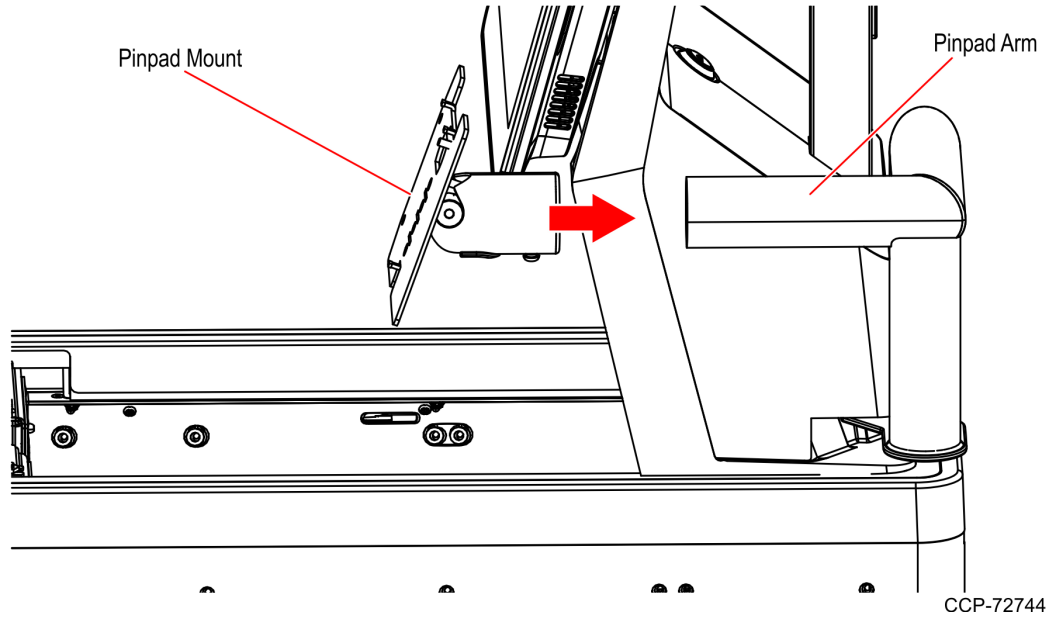
CCP-73239

- c. Install the Pinpad Plate to the Tilt Arm using two allen head screws.



CCP-73240

d. Install the Pinpad Mount to the Pinpad Arm.

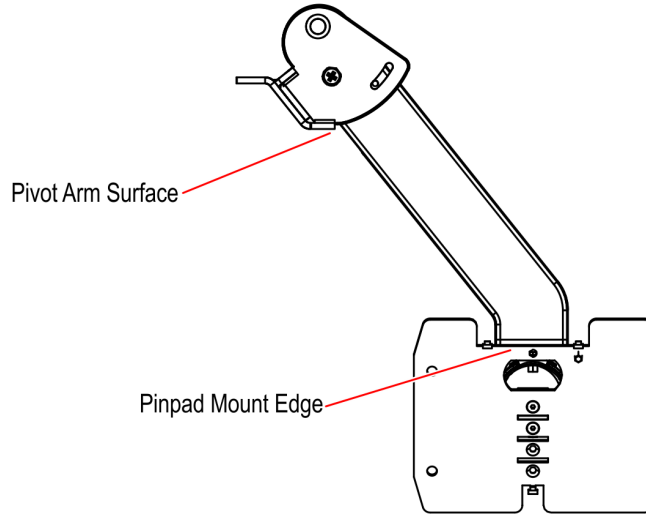


2. Position the Pinpad Mount so that its edge is approximately parallel with the Pivot Arm Surface.

Standard Unit

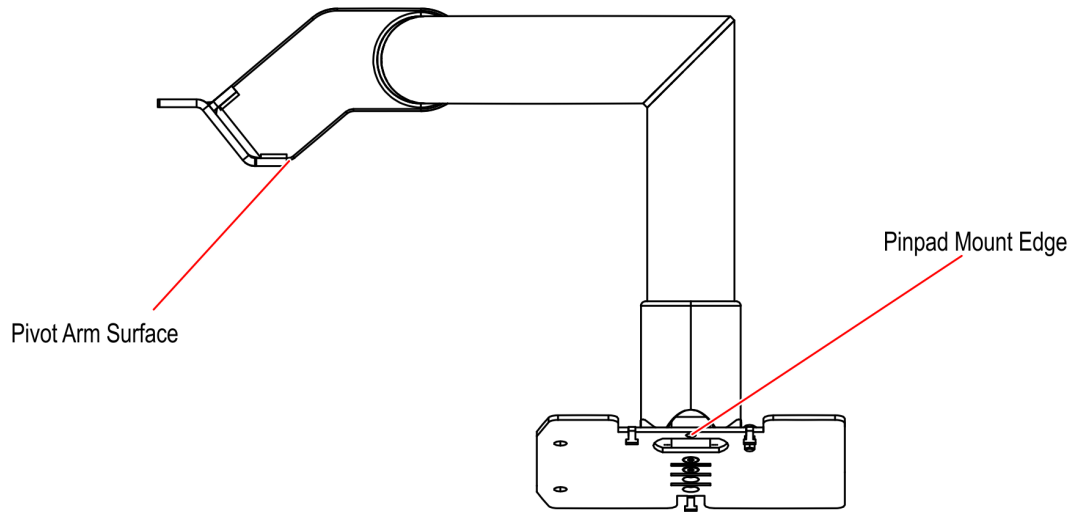


Note: For Convertible Units, refer to the image below as an example.



CCP-61572

Narrow Core Unit



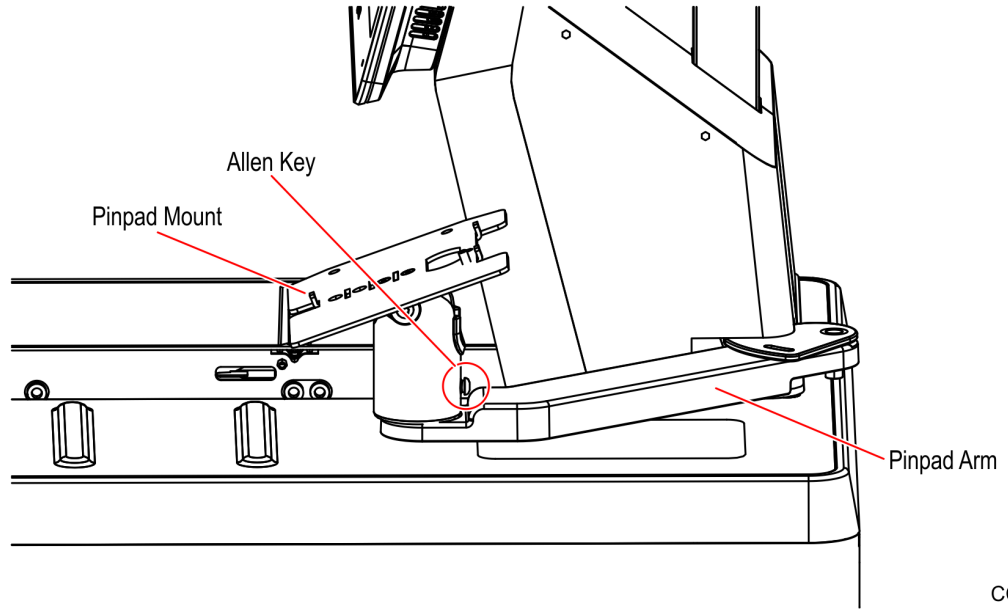
CCP-72659

3. Fasten the Pinpad Mount to the Pinpad Arm using the allen key.

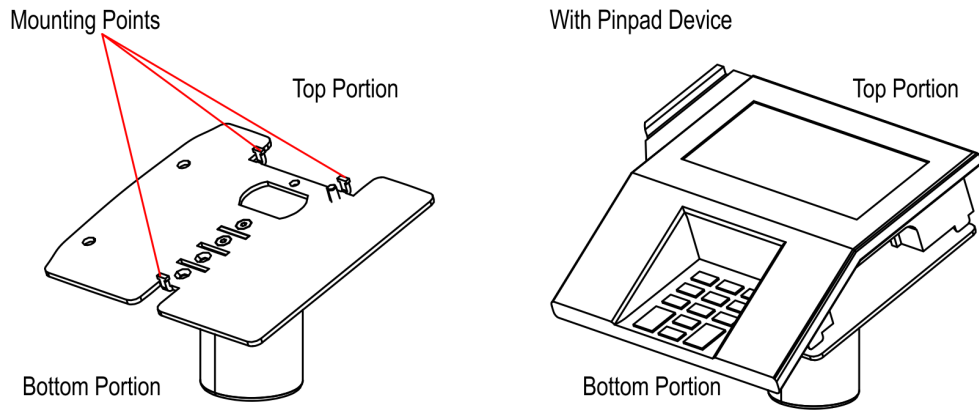
Standard Unit



Note: For Convertible Units, refer to the image below as an example.



CCP-61573

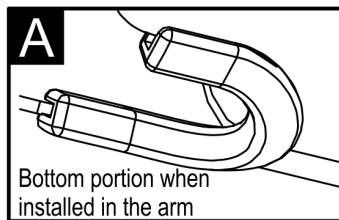
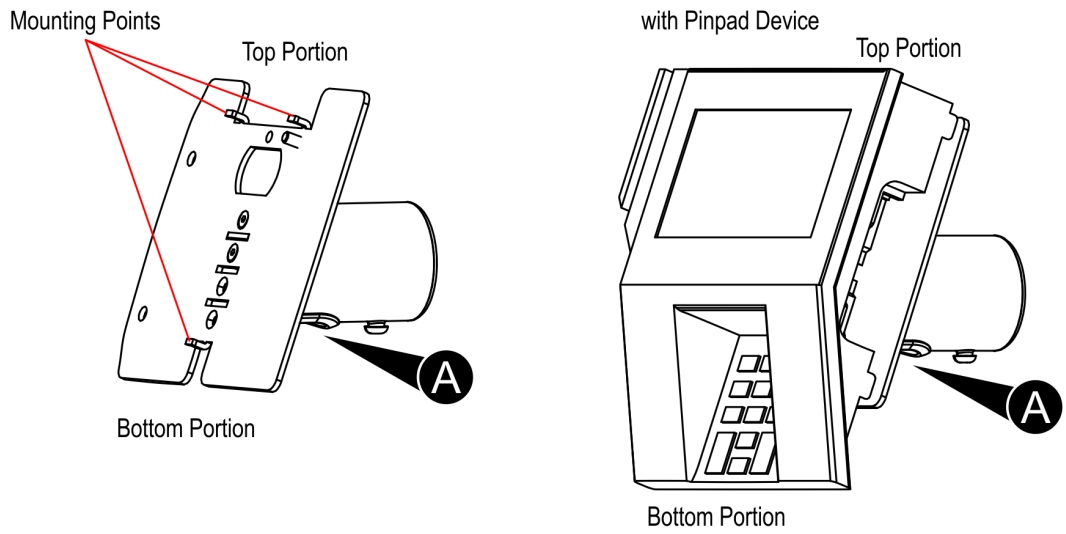
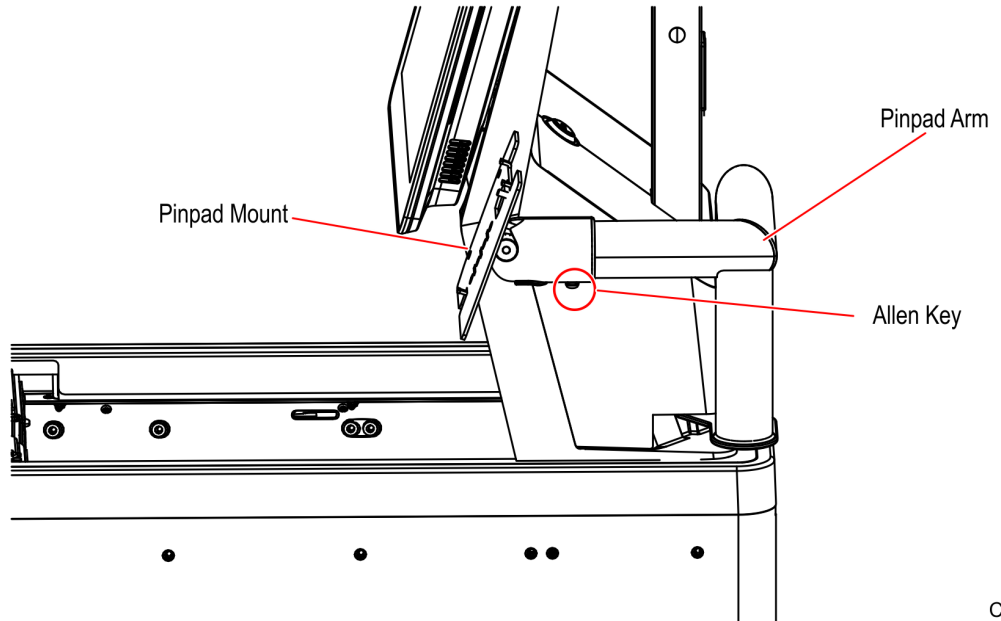


CCP-73256



Note: The Pinpad Device used in the illustration is only an example.

Narrow Core



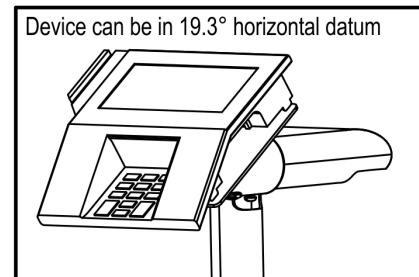
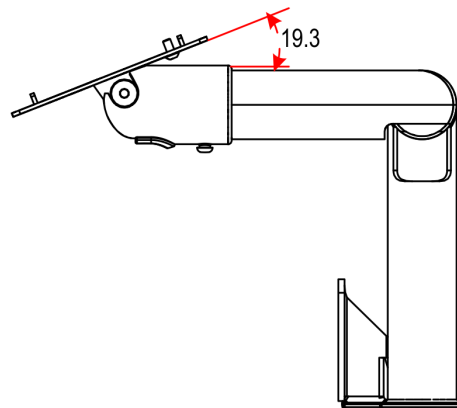
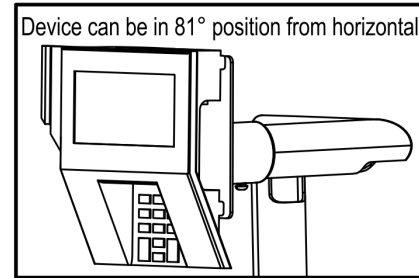
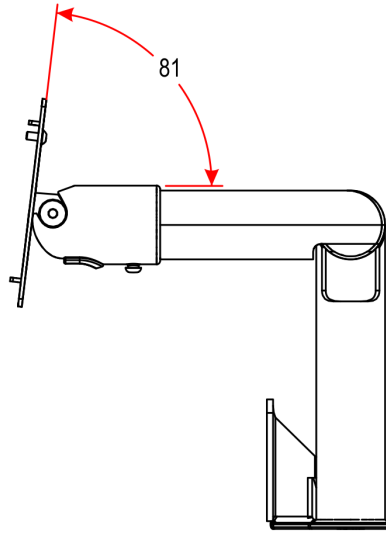
CCP-73257



Note: The Pinpad Device used in the illustration is only an example.



Note: The maximum horizontal tilt is 19.3° and the minimum horizontal tilt is 81° as shown in the image below.



CCP-73258



Note: The Pinpad Device used in the illustration is only an example.