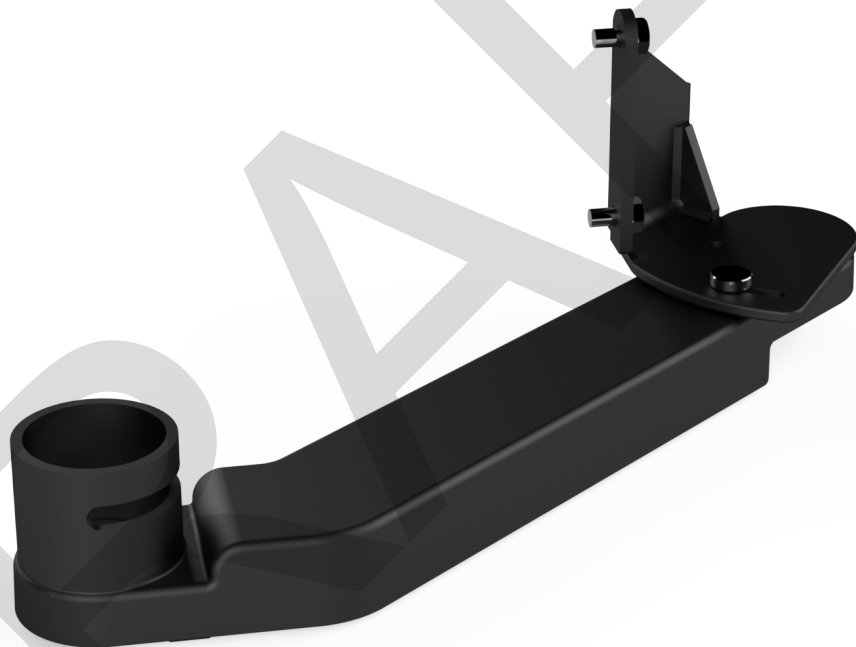


Kit Instructions

PIN Pad Arm



7360-K401
Issue B



The product described in this document is a licensed product of NCR Corporation.

NCR is a registered trademark of NCR Corporation. NCR FastLane SelfServ™ Checkout is a trademark of NCR Corporation in the United States and/or other countries. Other product names mentioned in this publication may be trademarks or registered trademarks of their respective companies and are hereby acknowledged.

The terms HDMI and HDMI High-Definition Multimedia Interface, and the HDMI Logo are trademarks or registered trademarks of HDMI Licensing LLC in the United States and other countries.

Where creation of derivative works, modifications or copies of this NCR copyrighted documentation is permitted under the terms and conditions of an agreement you have with NCR, NCR's copyright notice must be included.

It is the policy of NCR Corporation (NCR) to improve products as new technology, components, software, and firmware become available. NCR, therefore, reserves the right to change specifications without prior notice.

All features, functions, and operations described herein may not be marketed by NCR in all parts of the world. In some instances, photographs are of equipment prototypes. Therefore, before using this document, consult with your NCR representative or NCR office for information that is applicable and current.

To maintain the quality of our publications, we need your comments on the accuracy, clarity, organization, and value of this book. Please use the link below to send your comments.

EMail: FD230036@ncr.com

Copyright © 2021
By NCR Corporation
864 Spring St. NW
Atlanta, GA 30308
United States
All Rights Reserved

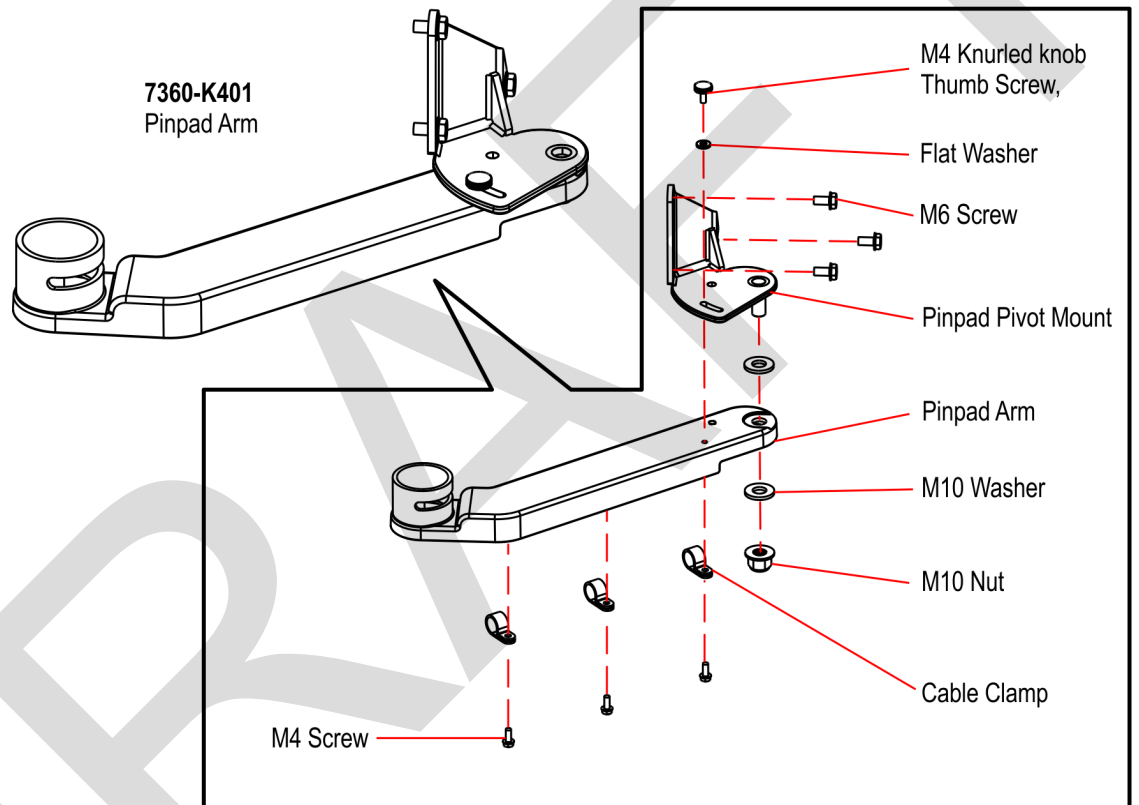
Revision Record

| Issue | Date | Remarks |
|-------|----------|-----------------------|
| A | Jan 2018 | First release. |
| B | Aug 2021 | Updated Kit Contents. |
| | | |

7360-K401 PIN Pad Arm

This kit contains a PIN Pad Arm for the NCR FastLane SelfServ™ Checkout (7360) unit.

Kit Contents



CCP-73065

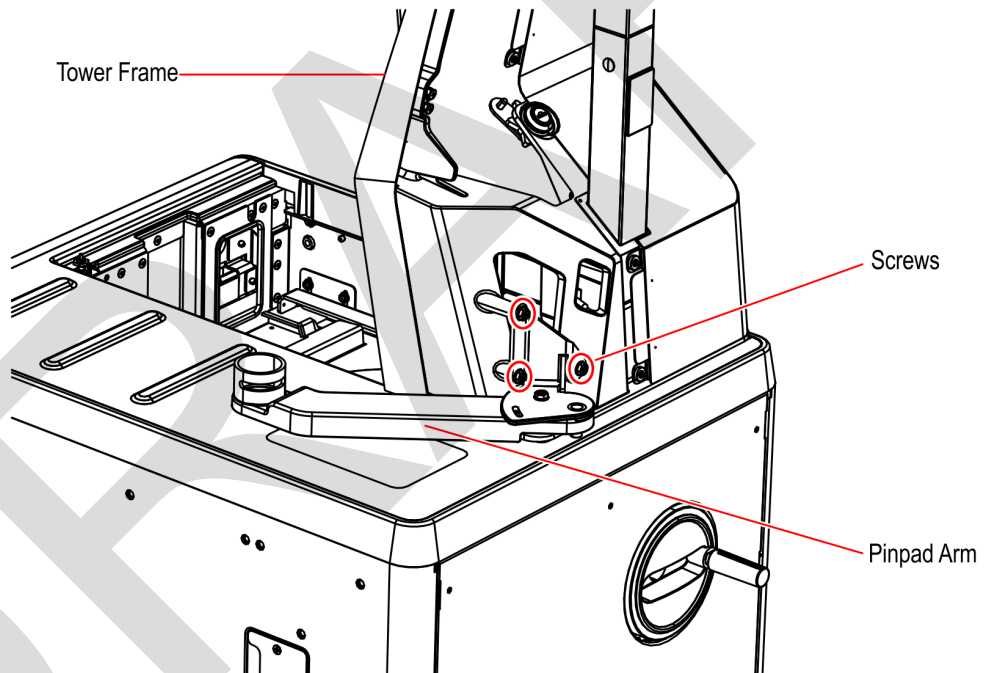
| Part Number | Description |
|-------------|---|
| 497-0530413 | 7360-K401 Pin Pad Arm Kit |
| 006-8611479 | Cable Clamp, 1/2" (3 pcs) |
| 006-8624300 | Washer, Nylon, Black, M10 Screw, 10.5 mm ID, 22 mm OD (2 pcs) |
| 009-0006593 | Screws M4 x 10 (3 pcs) |
| 009-0006599 | Screw Hex M6 x 12 MC COMB (3 pcs) |
| 497-0518399 | Pin Pad Pivot Mount |

| Part Number | Description |
|---------------|--|
| 497-0527280 | PIN Pad Arm Assembly |
| 006-8625487 | Nut - M10, 1.5 pitch, nylon lock, flange |
| 006-8622405 | Thumb Screw, Knurled Knob, M4 x 10 mm, Stainless Steel |
| 006-8626347 | Washer Flat Nylon Black 4.5 mm I.D, 10.36 mm O.D, 1.57 mm Thk. |
| * 497-0423108 | Instructions Kit (Reference Sheet) |

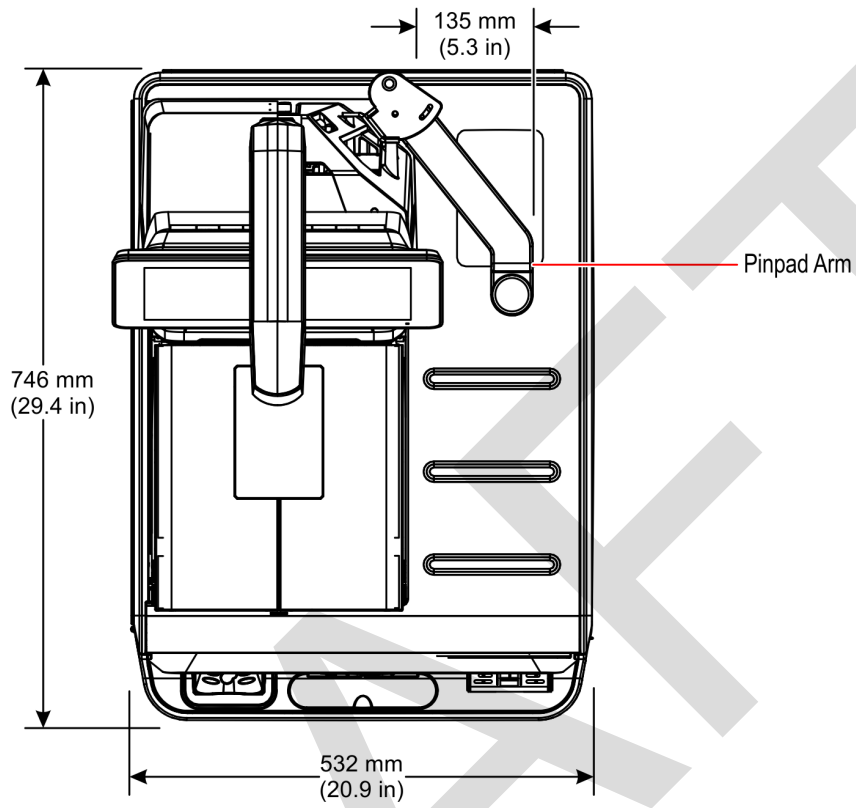
Installation Procedures

To install the PIN Pad Arm, follow these steps:

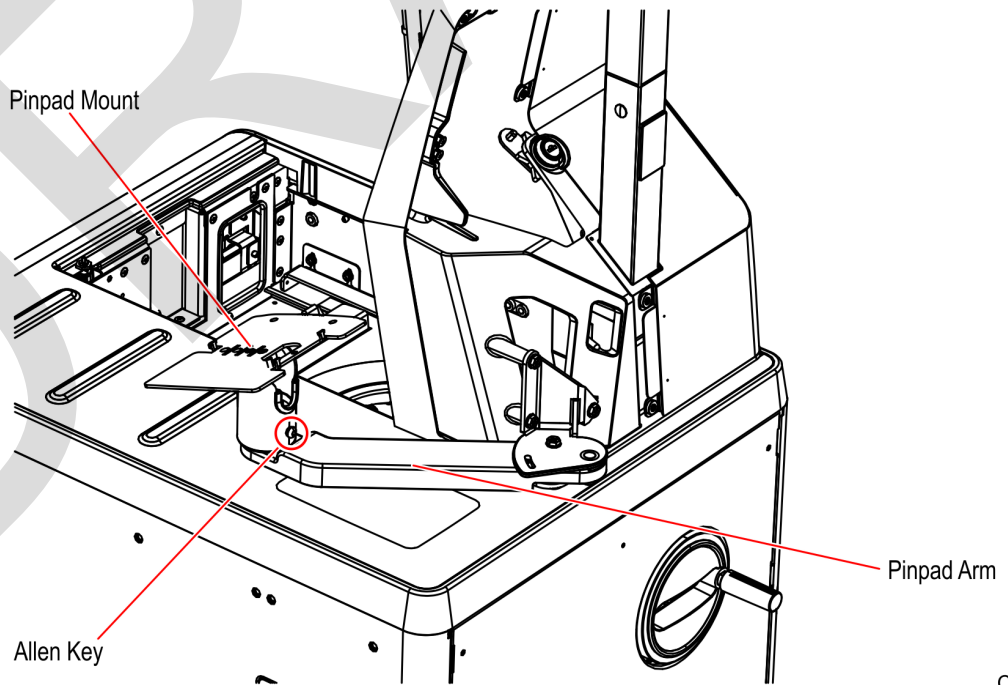
1. Do any of the following, if necessary:
 - Remove the No PIN Pad Blanking Plate, if the unit was not configured with a PIN Pad Arm. For more information, refer to [Removing No PIN pad Blanking Plate](#) on page 5.
 - Remove the existing PIN Pad Mount. For more information, refer to [Removing Existing PIN Pad Mount](#) on page 8.
 - Remove the existing PIN Pad Arm. For more information, refer to [Removing Existing PIN Pad Arm](#) on page 9.
2. Secure the PIN pad Arm to the Tower Frame using three screws, as shown in the image below.



3. Position the PIN Pad Arm as shown in the image below.



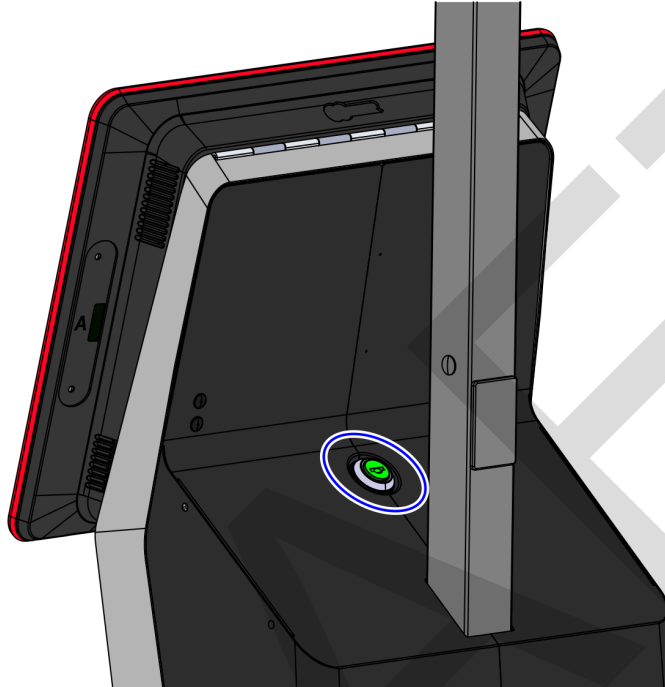
4. Install the PIN pad Mount to the PIN pad Arm and fasten it using the allen key.



Removing No PIN pad Blanking Plate

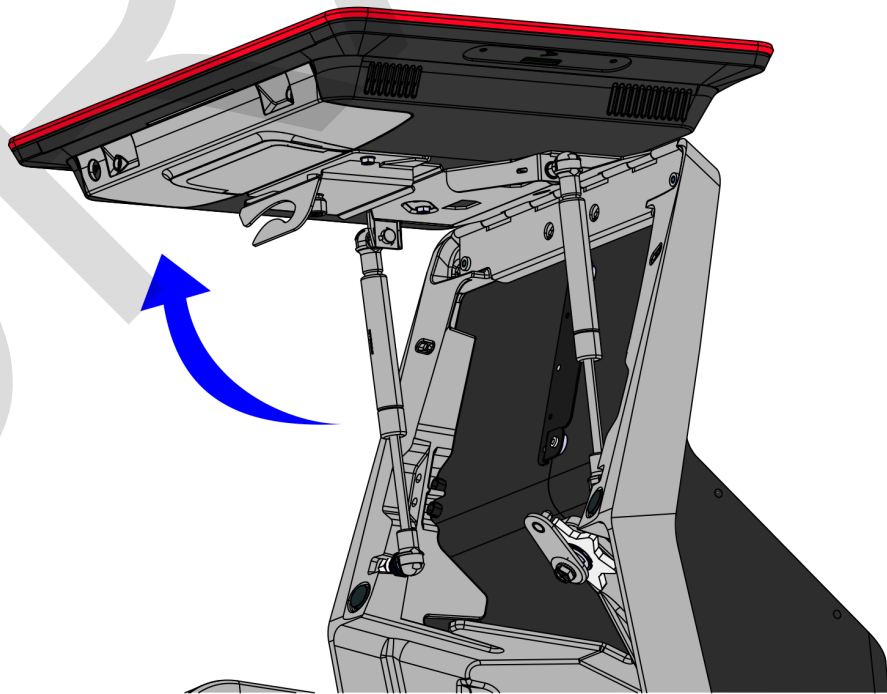
To remove the No PIN pad Blanking Plate, follow these steps:

1. Unlock the tower frame using a key.



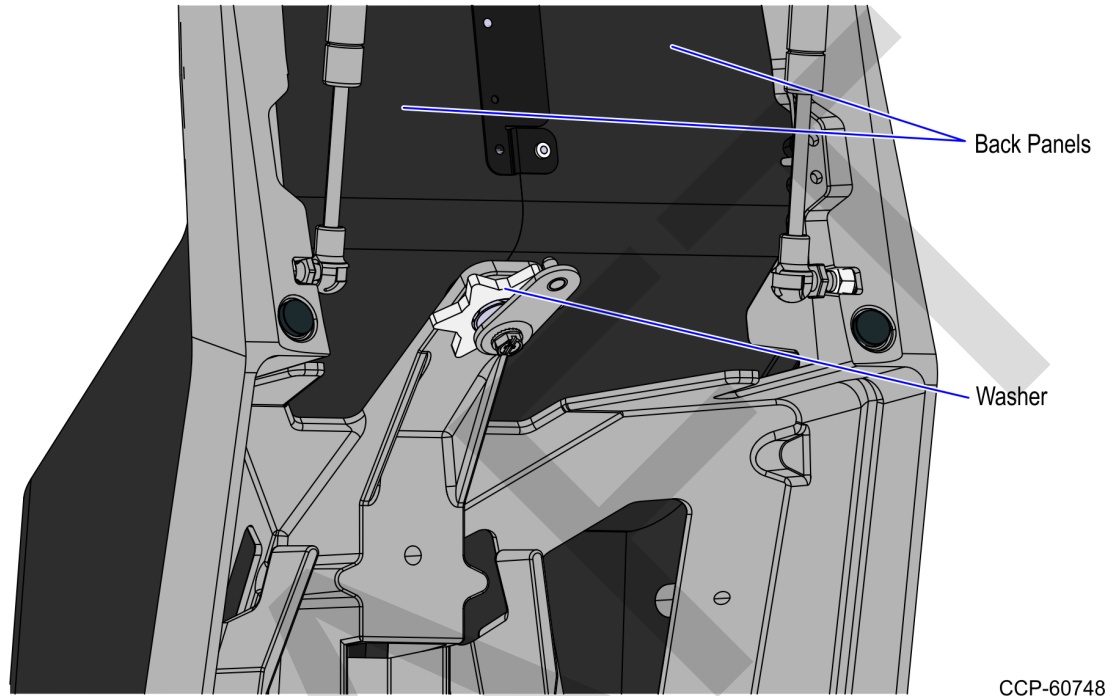
CCP-61622

2. Raise the Terminal Display.

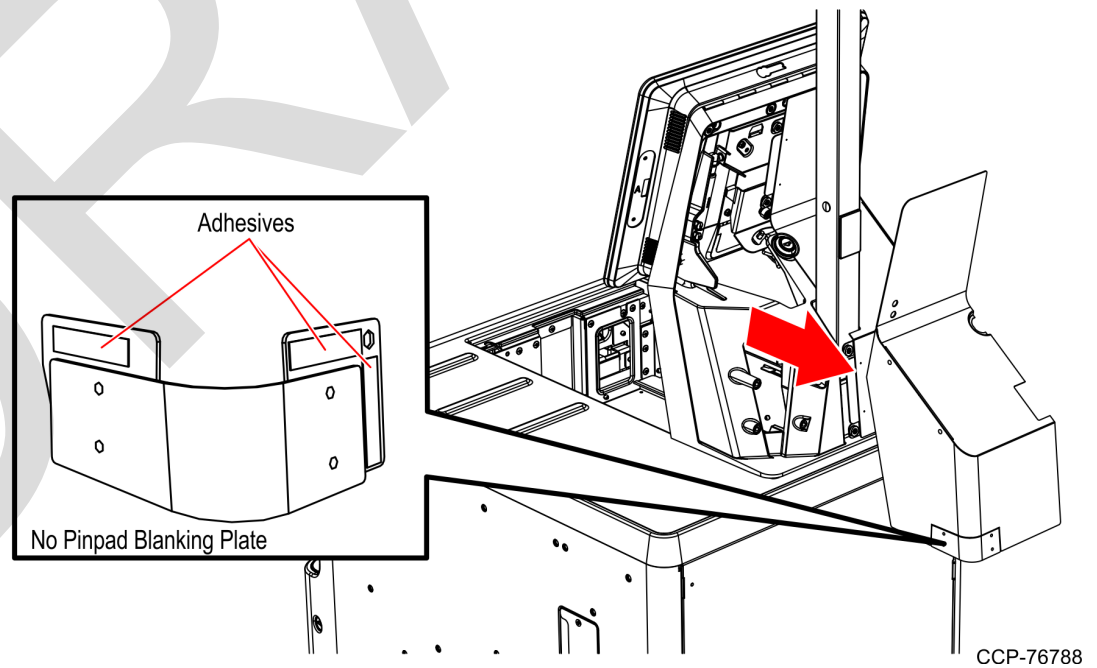


CCP-62073

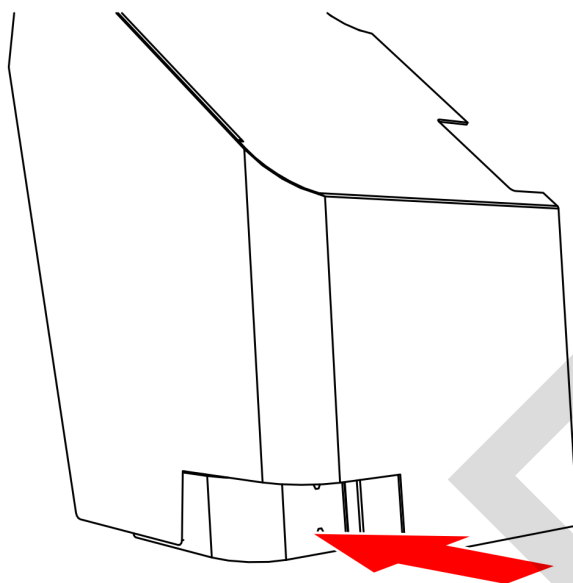
- Loosen the star-shaped washer around the key lock assembly by turning it counterclockwise.



- Remove the back panel with the No PIN pad Blanking Plate from the tower assembly.



5. Push the No PIN pad Blanking Plate out of the back panel.



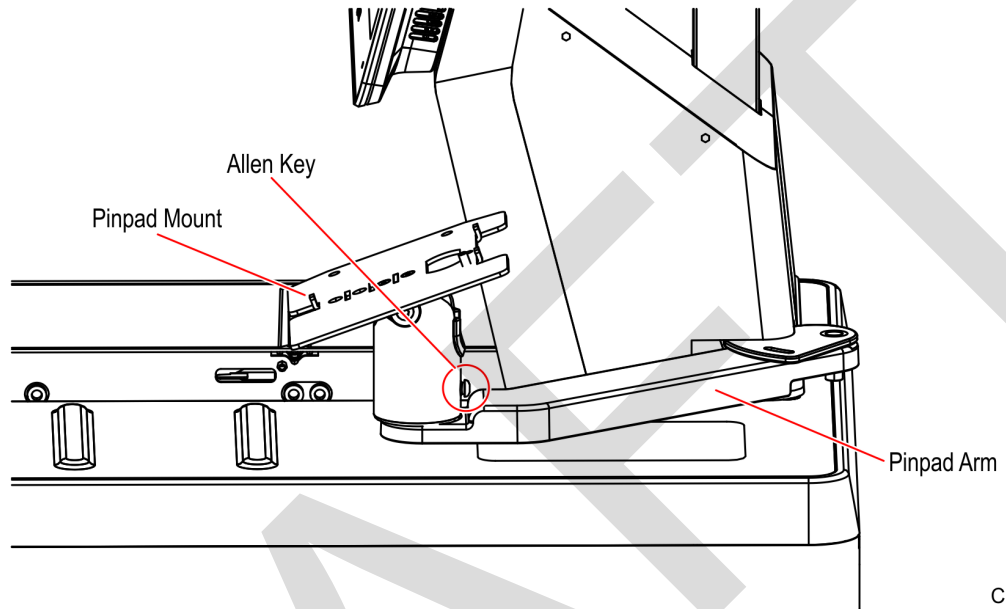
CCP-73067

DRAFT

Removing Existing PIN Pad Mount

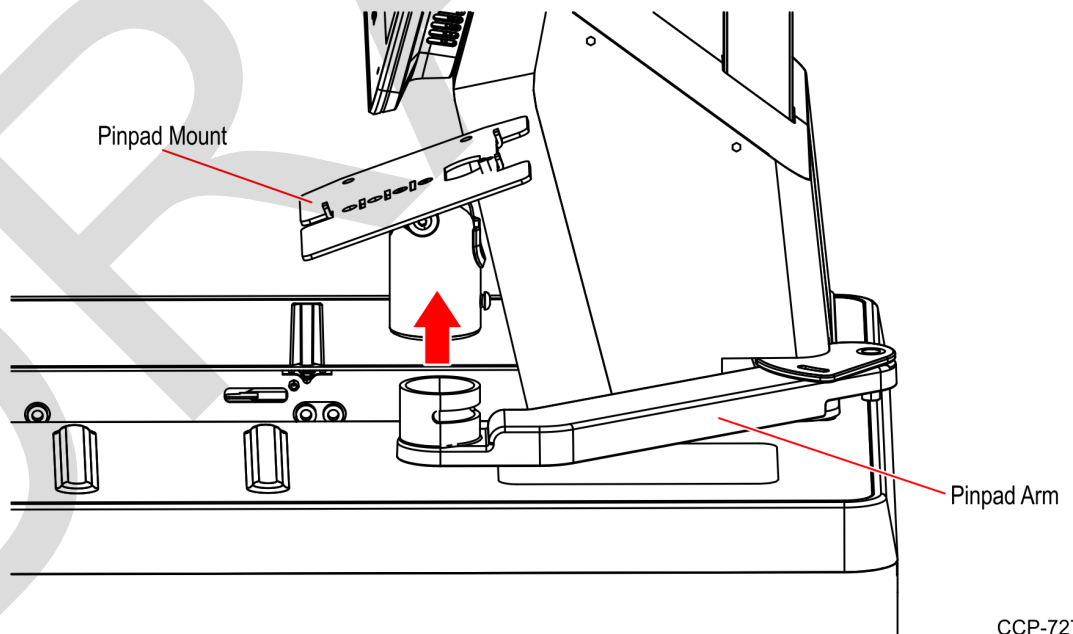
To remove the existing PIN Pad Mount, follow these steps:

1. Remove the allen key securing the PIN Pad Mount to the PIN Pad Arm.



CCP-61573

2. Remove the PIN Pad Mount from the PIN Pad Arm as shown in the images below.

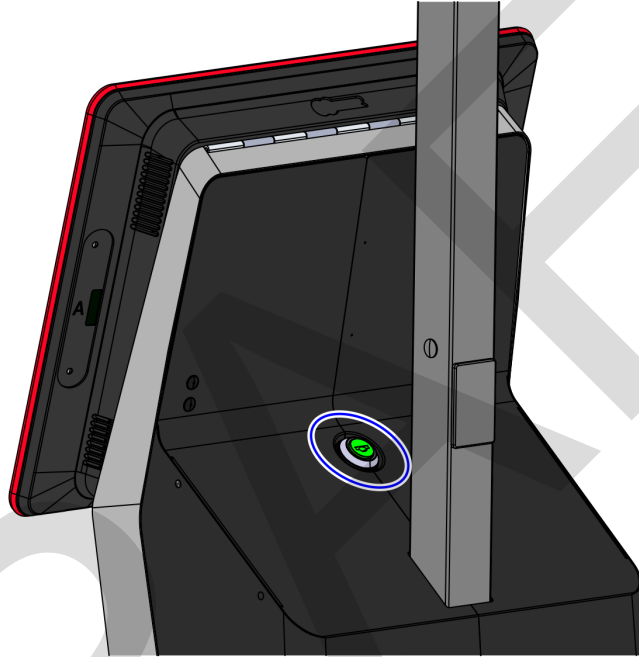


CCP-72741

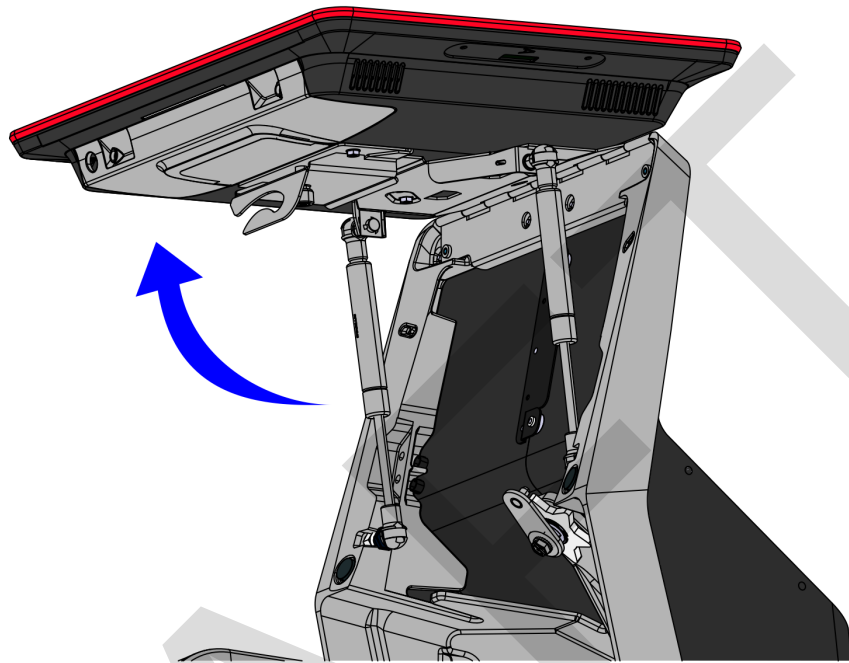
Removing Existing PIN Pad Arm

To remove the existing PIN pad Arm, follow these steps:

1. Remove the PIN pad Mount from the PIN pad Arm. For more information, refer to [Removing Existing PIN Pad Mount](#) on the previous page.
2. Remove the back panel from the Tower frame by doing the following:
 - a. Insert key in lock on the back of the tower and then turn counter-clockwise to unlock the terminal.

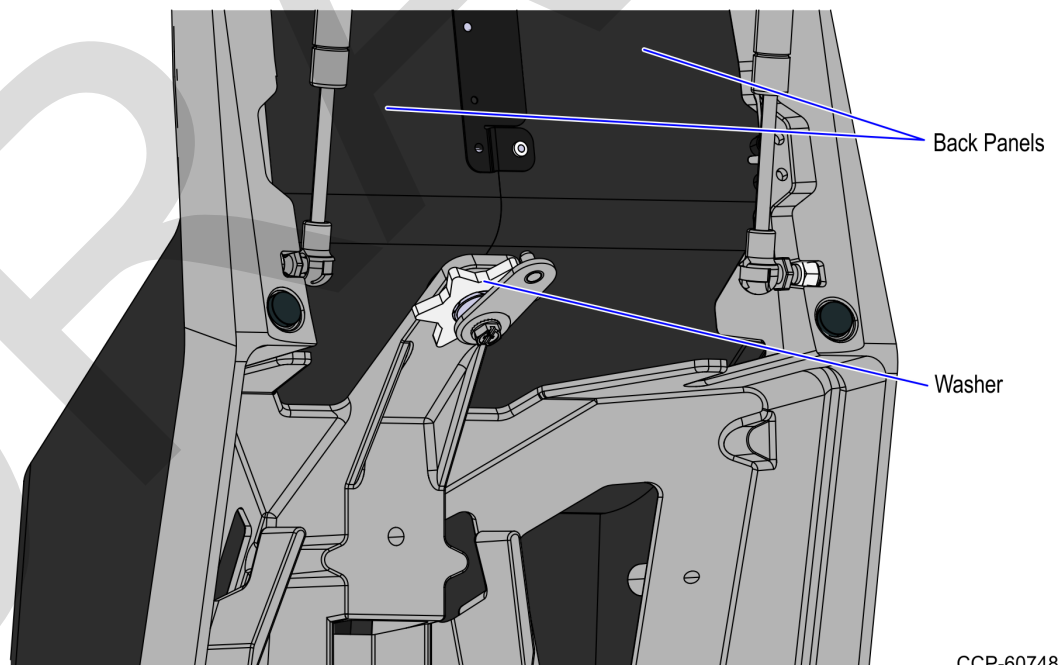


- b. Lift up the terminal display.



CCP-62073

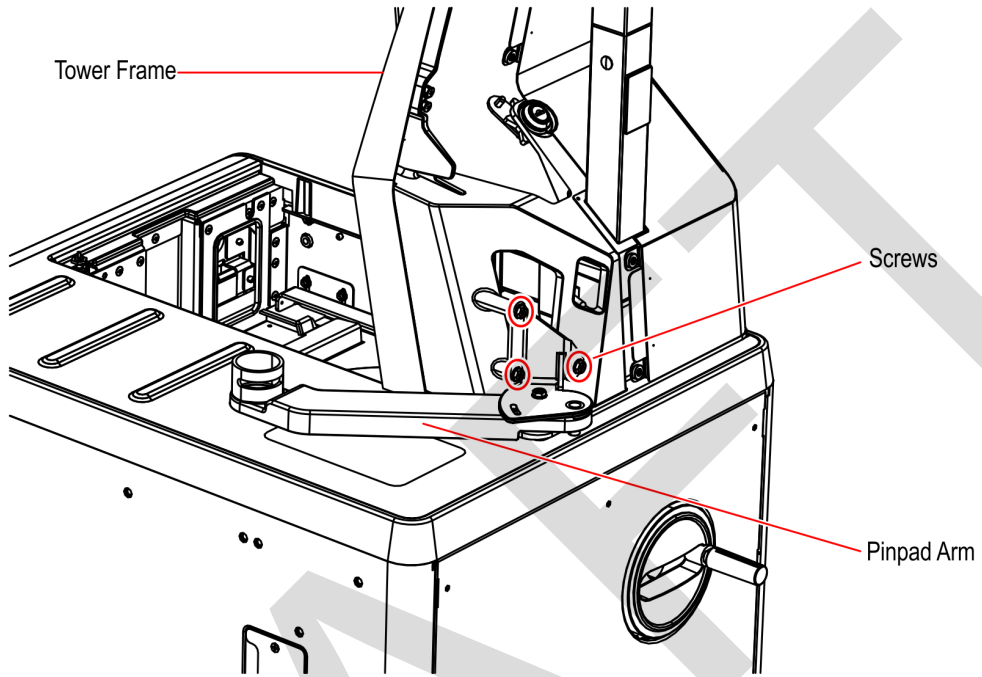
- c. Loosen the star-shaped washer around the keylock assembly.



CCP-60748

- d. Remove the back panel showing the existing PIN Pad Arm from the tower assembly.

- Using a 10 mm wrench, remove the three screws securing the PIN Pad Arm to the Tower Frame.



CCP-72768

- Install the PIN pad Arm. For more information, refer to [Installation Procedures](#) on page 3