

Kit Instructions

GSR50 Cashbox

7360-K351
Issue B



The product described in this document is a licensed product of NCR Corporation.

NCR is a registered trademark of NCR Corporation. NCR FastLane SelfServ™ Checkout is a trademark of NCR Corporation in the United States and/or other countries. Other product names mentioned in this publication may be trademarks or registered trademarks of their respective companies and are hereby acknowledged.

The terms HDMI and HDMI High-Definition Multimedia Interface, and the HDMI Logo are trademarks or registered trademarks of HDMI Licensing LLC in the United States and other countries.

Where creation of derivative works, modifications or copies of this NCR copyrighted documentation is permitted under the terms and conditions of an agreement you have with NCR, NCR's copyright notice must be included.

It is the policy of NCR Corporation (NCR) to improve products as new technology, components, software, and firmware become available. NCR, therefore, reserves the right to change specifications without prior notice.

All features, functions, and operations described herein may not be marketed by NCR in all parts of the world. In some instances, photographs are of equipment prototypes. Therefore, before using this document, consult with your NCR representative or NCR office for information that is applicable and current.

To maintain the quality of our publications, we need your comments on the accuracy, clarity, organization, and value of this book. Please use the link below to send your comments.

EMail: FD230036@ncr.com

Copyright © 2016-2017

By NCR Corporation

Duluth, GA U.S.A.

All Rights Reserved

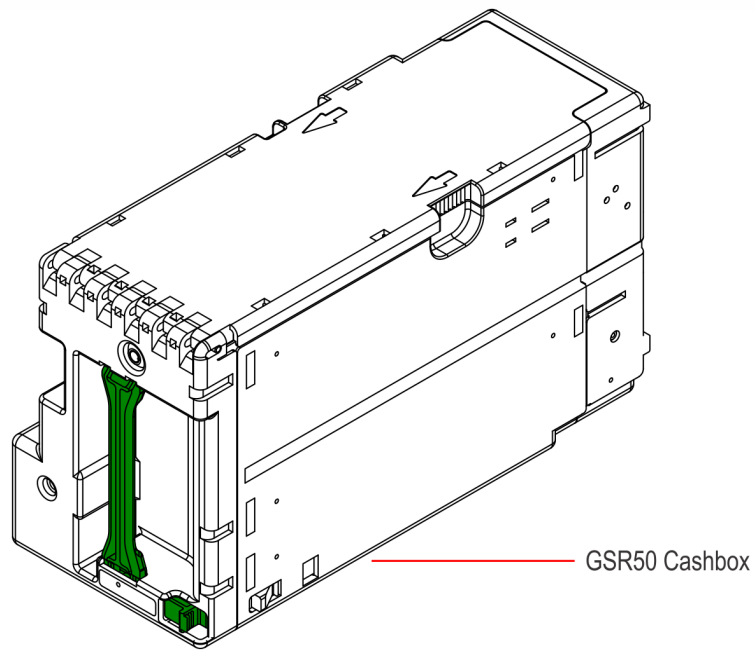
Revision Record

Issue	Date	Remarks
A	Sep 2016	First issue.
B	Jun 2017	Updated IP PDF template.

GSR50 Cashbox

This kit contains a spare GSR50 Cashbox for the NCR FastLane SelfServ™ Checkout 7360.

Kit Contents



CCP-61631

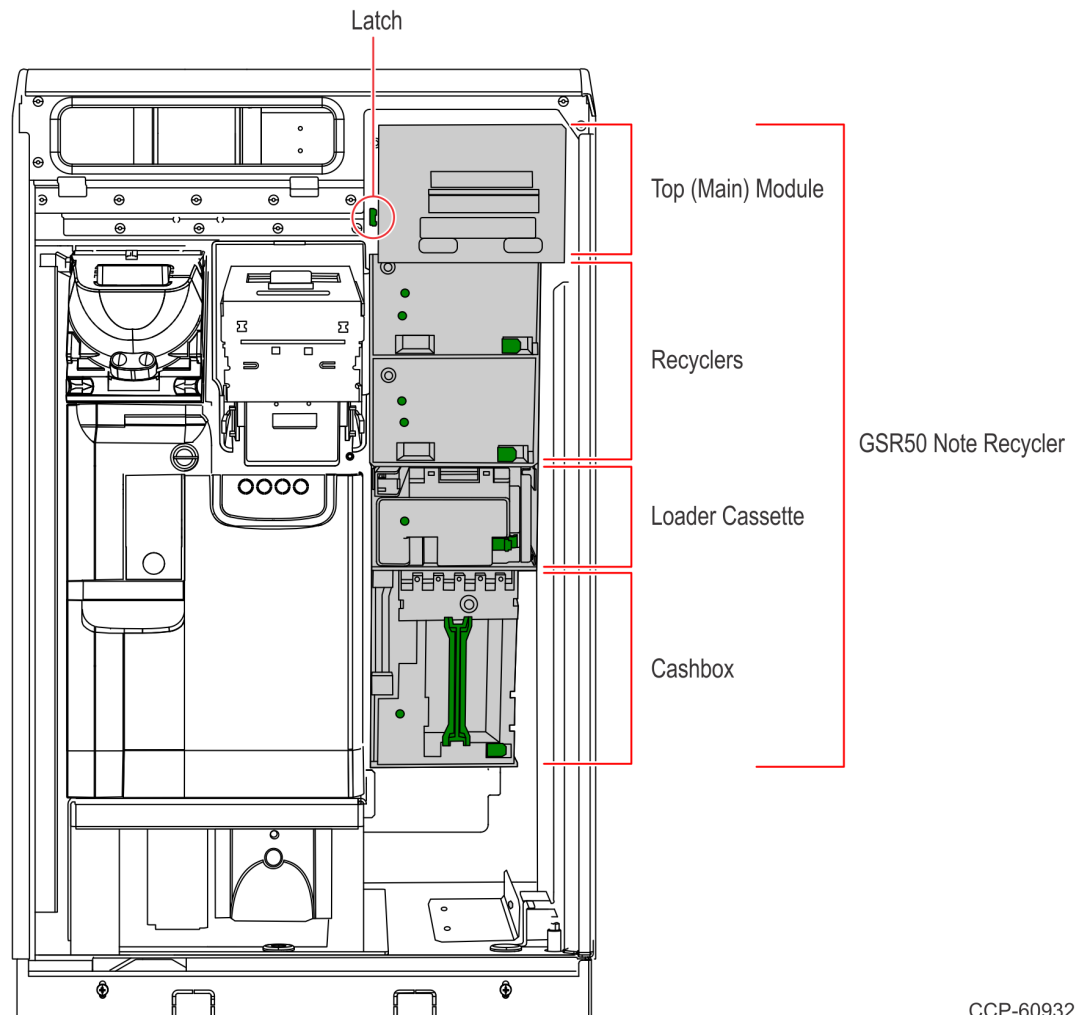
Installation Procedures

This section details the procedure for:

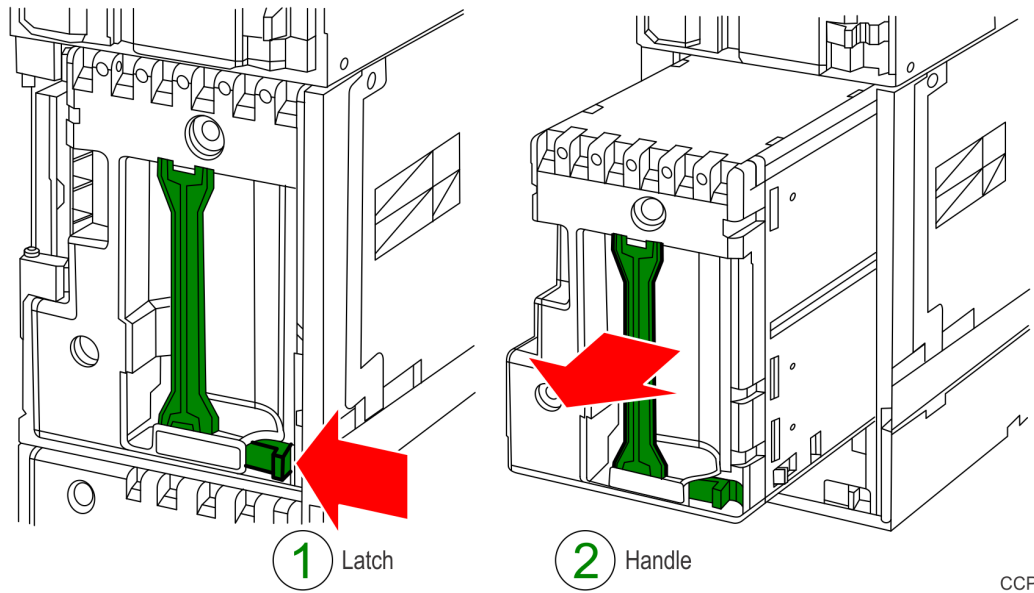
- [Replacing the Cashbox](#) below.
- [Removing Notes from the Cashbox](#) on page 4.

Replacing the Cashbox

1. Unlock and open the Exterior Door.
2. Unlock and open the Security Door.
3. Pull the green latch toward the Top (Main) Module, and then rack out the GSR50 Note Recycler out of the cabinet.

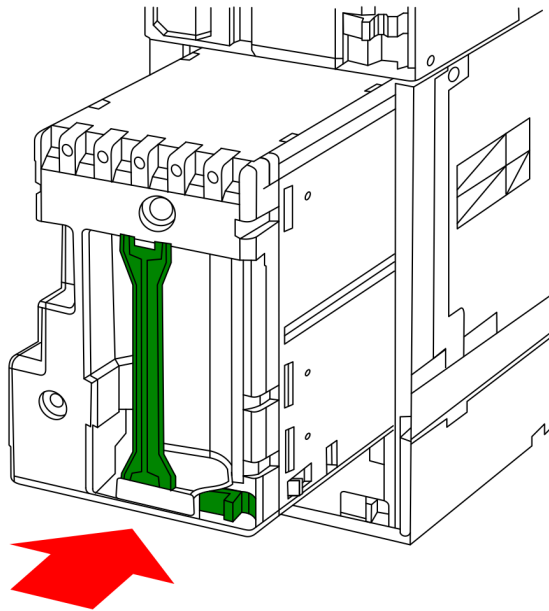


4. Move the green latch of the Cashbox to the left and then, using the green handle, pull the existing Cashbox from the frame.



CCP-61292

5. Replace with a new Cashbox. Insert and then push the new Cashbox into the corresponding frame until it snaps in place.



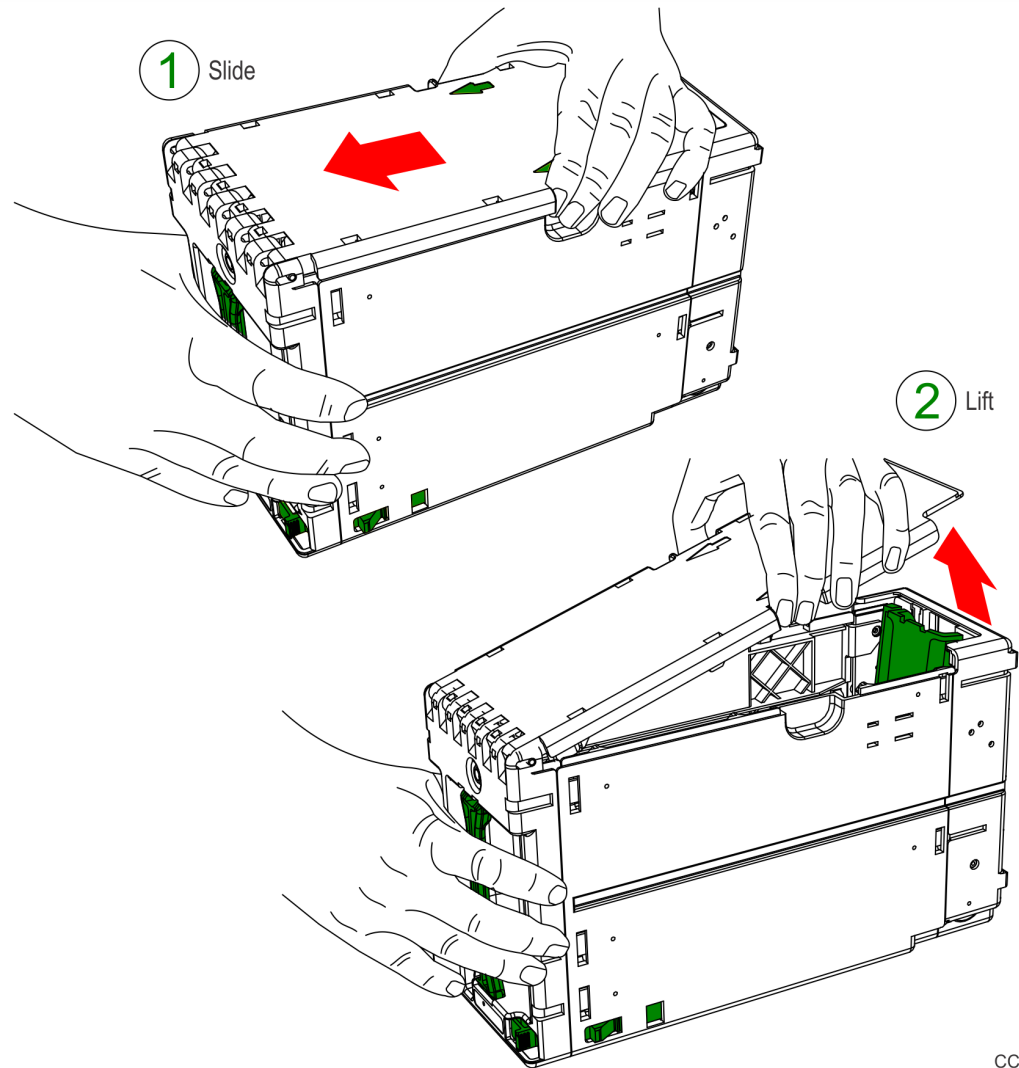
CCP-61340

Removing Notes from the Cashbox

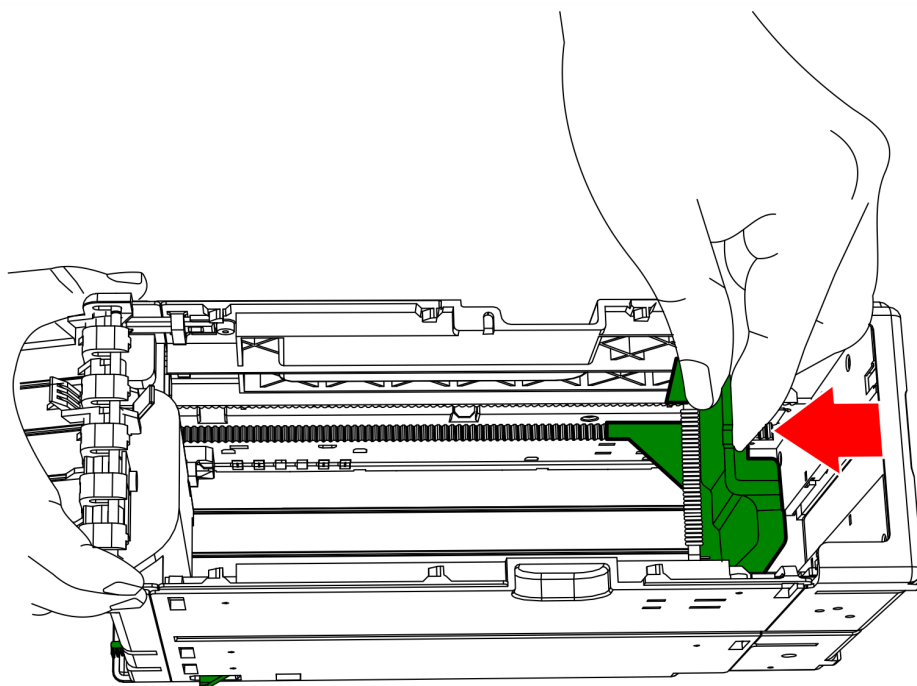
1. Hold the Cashbox, slide the lid in the direction shown, then lift it to open the Cashbox.



Note: Do not let go of the lid. If you slide the lid and then let go, the spring pulls it back in place and you can't lift it.



- Slide the green Pusher to remove notes.



CCP-61307

- Close and then push down the lid until it snaps in place.