

# Kit Instructions

Spill Protection Gasket and Drip Channel (7895 Scanner)



7360-K131  
Issue A



The product described in this document is a licensed product of NCR Corporation.

NCR is a registered trademark of NCR Corporation. NCR FastLane SelfServ™ Checkout is a trademark of NCR Corporation in the United States and/or other countries. Other product names mentioned in this publication may be trademarks or registered trademarks of their respective companies and are hereby acknowledged.

The terms HDMI and HDMI High-Definition Multimedia Interface, and the HDMI Logo are trademarks or registered trademarks of HDMI Licensing LLC in the United States and other countries.

Where creation of derivative works, modifications or copies of this NCR copyrighted documentation is permitted under the terms and conditions of an agreement you have with NCR, NCR's copyright notice must be included.

It is the policy of NCR Corporation (NCR) to improve products as new technology, components, software, and firmware become available. NCR, therefore, reserves the right to change specifications without prior notice.

All features, functions, and operations described herein may not be marketed by NCR in all parts of the world. In some instances, photographs are of equipment prototypes. Software screen images are representative, and in some cases, may not match a customer's installed software exactly. Therefore, before using this document, consult with your NCR representative or NCR office for information that is applicable and current.

To maintain the quality of our publications, we need your comments on the accuracy, clarity, organization, and value of this book. Please use the link below to send your comments.

Email: [FD230036@ncr.com](mailto:FD230036@ncr.com)

Copyright © 2021  
By NCR Corporation  
864 Spring St. NW  
Atlanta, GA 30308  
United States  
All Rights Reserved

---

## Revision Record

Issue	Date	Remarks
A	May 2021	First Issue

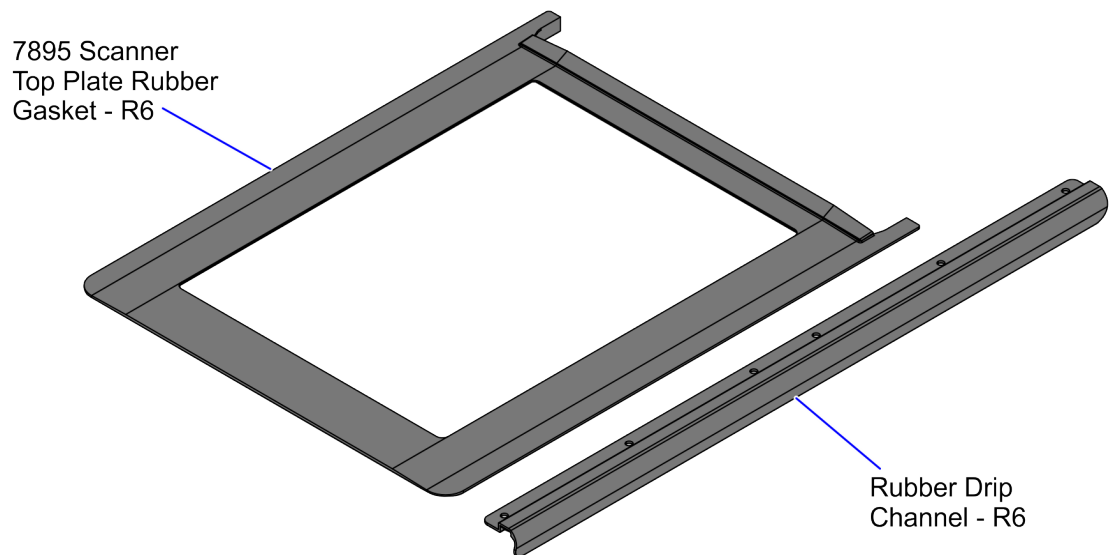
---

# Spill Protection Gasket and Drip Channel (7895 Scanner)

---

This publication provides procedures for installing the Spill Protection Gasket and Drip Channel on the 7895 Scanner (non-scale) that is installed in the NCR FastLane SelfServ™ Checkout (7360) unit.

## Kit Contents



CCP-80206

Part Number	Description
497-0530423	Kit-Spill Protection Gasket And Drip Channel-7895
497-0529228	Rubber Drip Channel - R6
497-0529229	Top Plate Rubber Gasket - 7895
* 497-0423108	Instructions Kit (Reference Sheet)

\* Items marked with an asterisk are not called out on the image.

# Installation Procedures

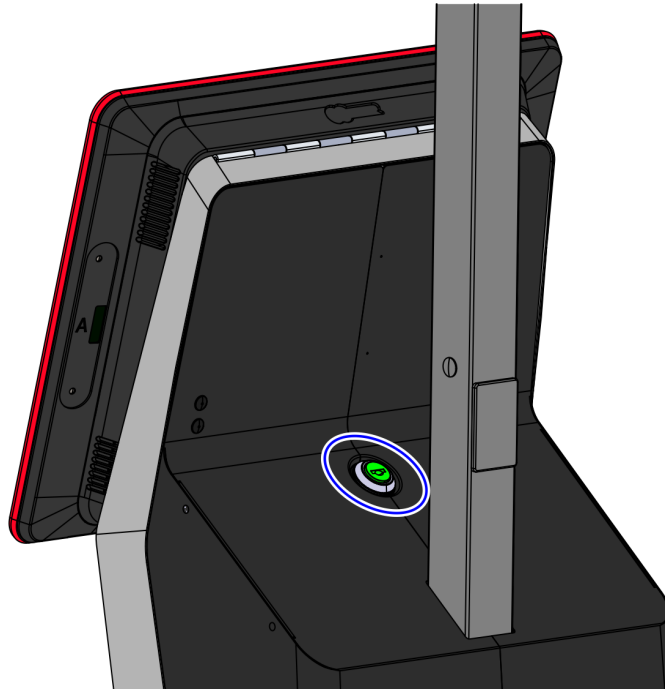
Installing the 7360-K131 Spill Protection Gasket and Drip Channel (7895 Scanner) involves the following procedures:

- [Installing Spill Protection Gasket](#) below.
- [Installing Drip Channel](#) on page x.

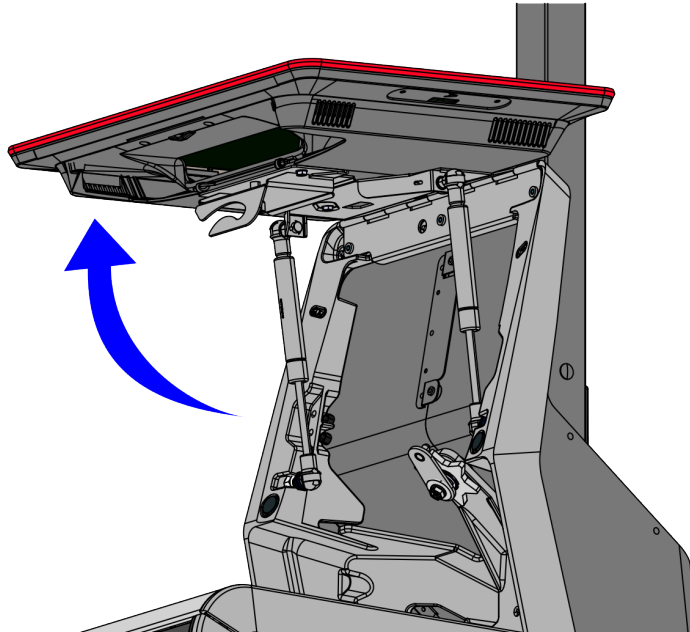
## Installing Spill Protection Gasket

To install the Spill Protection Gasket, follow these steps:

1. Turn off the SelfServ Checkout software and hardware systems.
2. Unlock the Tower Frame from the back panels using a key.

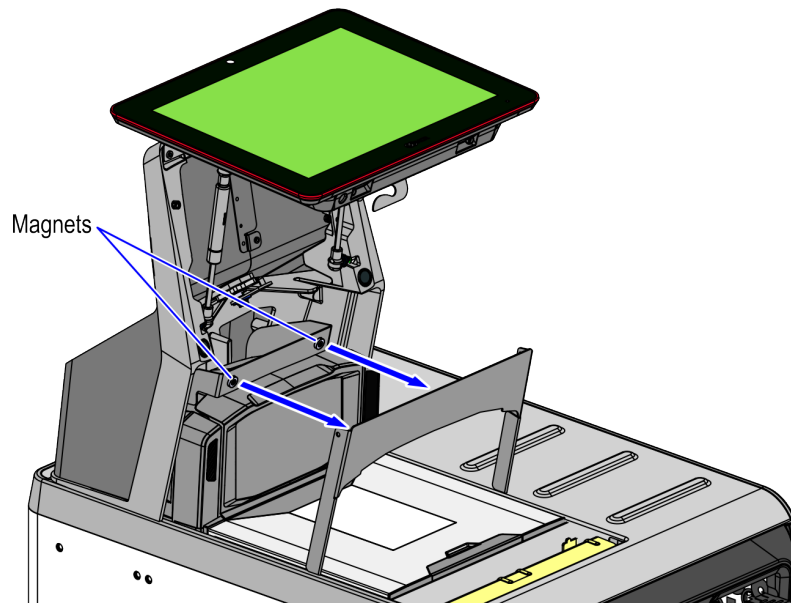


3. Lift the Terminal Display from Tower Frame.



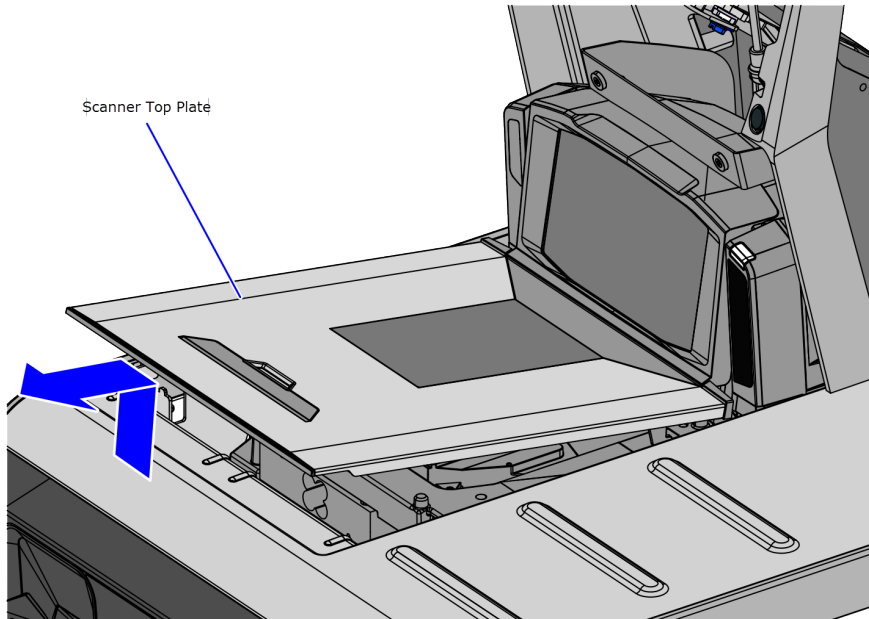
CCP-79659

4. Detach the Scanner Shroud from the Shroud Bracket magnets, as shown in the image below.



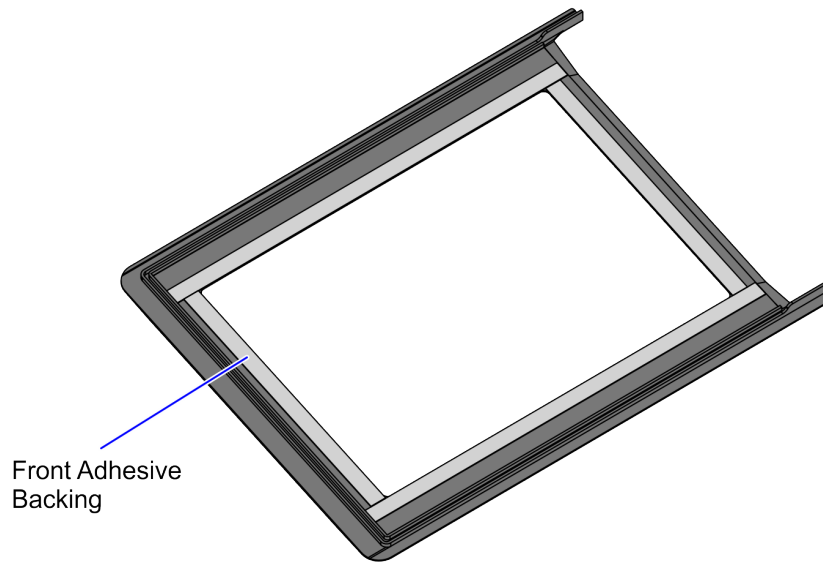
CCP-80223

5. Remove the Scanner Top Plate from the Scanner.



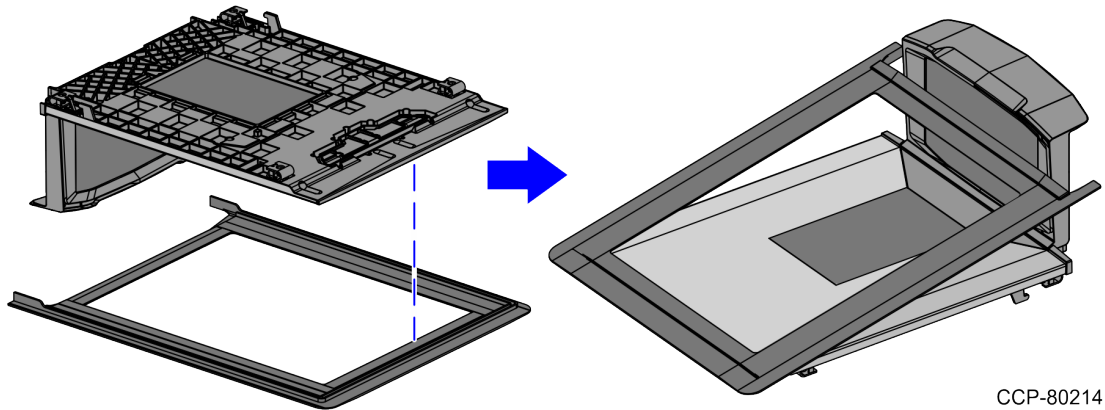
CCP-79665

6. From the back of the Spill Protection Gasket, remove only the front adhesive backing, as shown in the image below.

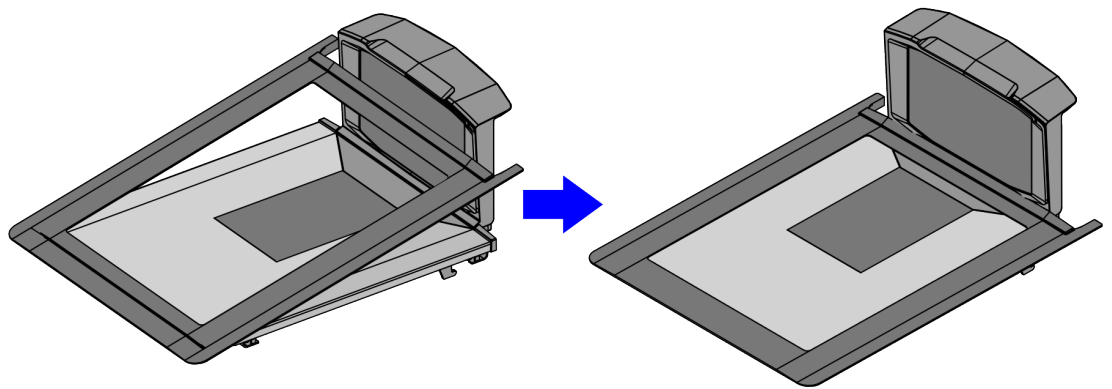


CCP-80213

7. Align and attach the front edge of the Scanner Top Plate to the inner bottom wall of the Spill Protection Gasket, as shown in the image below.

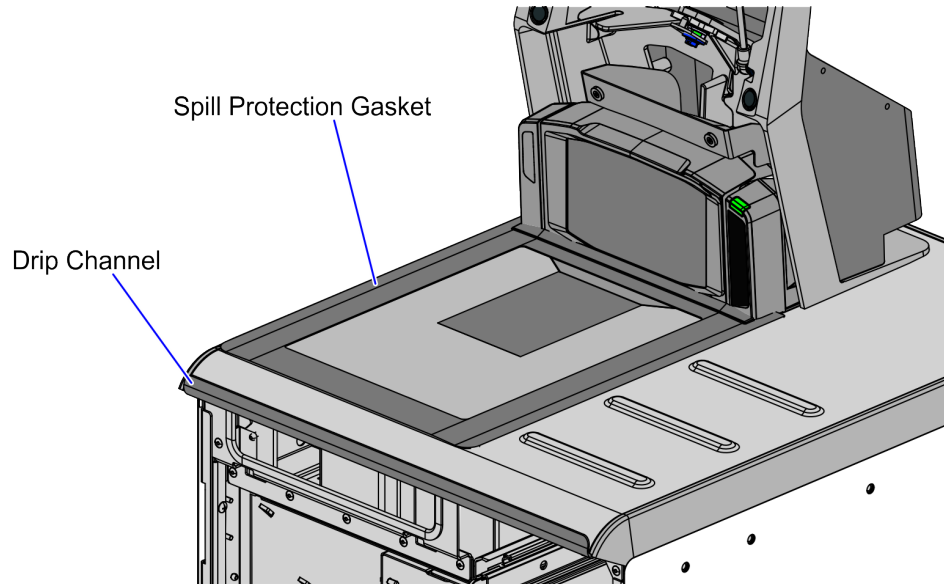


8. Remove the adhesive backing from the rear and sides of the Spill Protection Gasket.
9. Do the following:
  - a. Attach the sides and then the rear inner bottom walls of the Spill Protection Gasket to the Scanner Top Plate.
  - b. Press firmly on all sides of the attached Spill Protection Gasket. Ensure that there are no air bubbles.





10. Do the following:
  - a. Lower the Scanner Top Plate with the Spill Protection Gasket on the Scanner.
  - b. Tuck the inner bottom walls of the Spill Protection Gasket into the gaps between the Scanner and the SelfServ Checkout Top Plate.



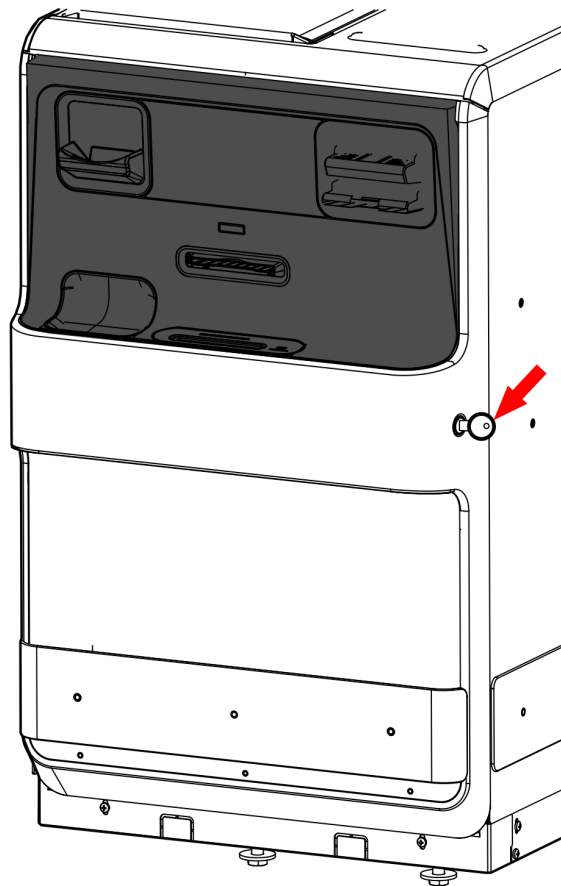
CCP-80216

To install the Drip Channel, refer to [Installing Drip Channel](#) on the facing page.

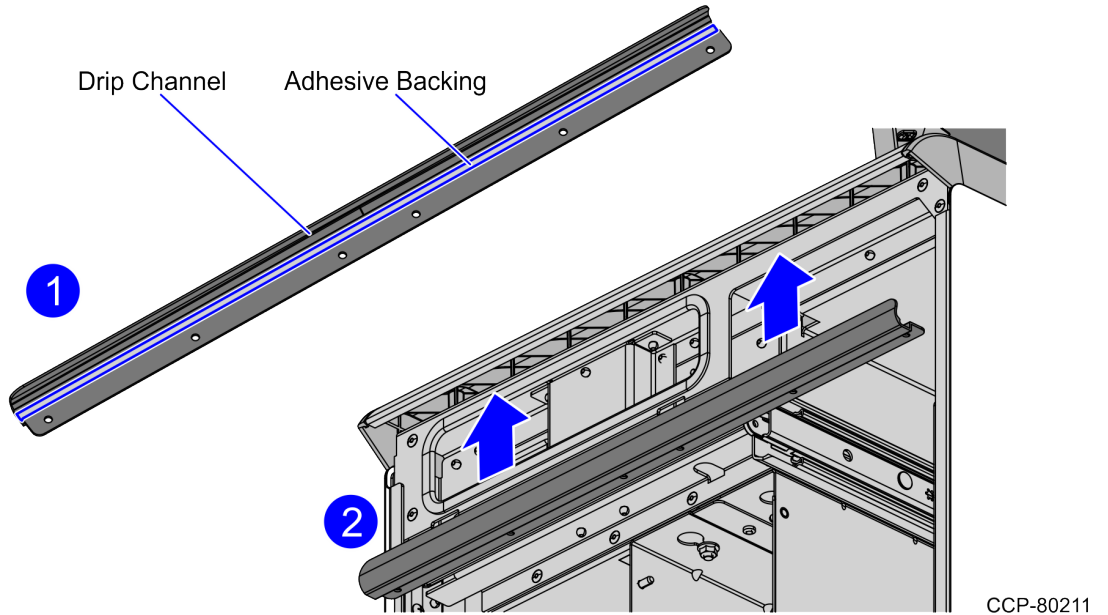
## Installing Drip Channel

To install the Drip Channel, follow these steps:

1. Open the Cosmetic Door using a key.



2. Do the following:
  - a. Remove the adhesive backing from the Drip Channel.
  - b. Align the adhesive area of the Drip Channel with the front edge of the SelfServ Checkout Top Plate.



3. Press the Drip Channel firmly on the SelfServ Checkout Top Plate edge. Ensure that there are no air bubbles.

