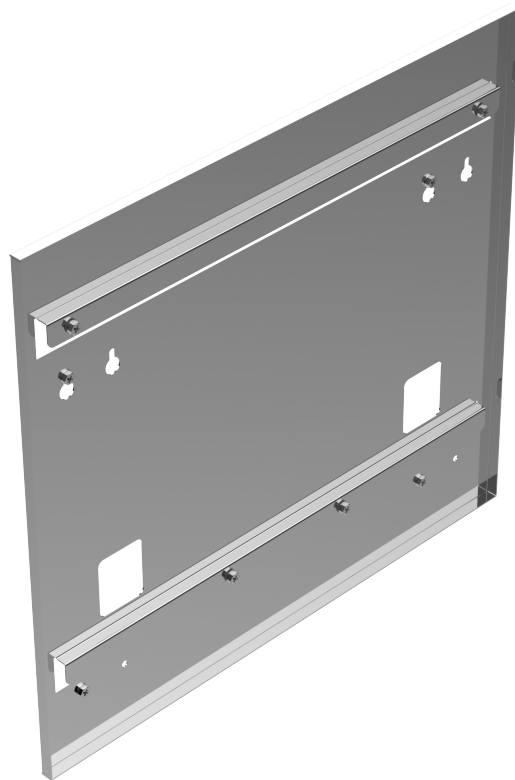




Kit Instructions

Large Basket Adapter Plate



7360-K127

Issue A

Copyright

The product described in this document is a licensed product of NCR Corporation.

NCR is a registered trademark of NCR Corporation. NCR [Product] is a trademark of NCR Corporation in the United States and/or other countries. Other product names mentioned in this publication may be trademarks or registered trademarks of their respective companies and are hereby acknowledged.



Java is a registered trademark of Oracle and/or its affiliates.

The terms HDMI and HDMI High-Definition Multimedia Interface, and the HDMI Logo are trademarks or registered trademarks of HDMI Licensing LLC in the United States and other countries.

Where creation of derivative works, modifications or copies of this NCR copyrighted documentation is permitted under the terms and conditions of an agreement you have with NCR, NCR's copyright notice must be included.

It is the policy of NCR Corporation (NCR) to improve products as new technology, components, software, and firmware become available. NCR, therefore, reserves the right to change specifications without prior notice.

All features, functions, and operations described herein may not be marketed by NCR in all parts of the world. In some instances, photographs are of equipment prototypes. Therefore, before using this document, consult with your NCR representative or NCR office for information that is applicable and current.

Copyright © 2024
By NCR Corporation
Global Headquarters
864 Spring St. NW
Atlanta, GA 30308
United States
All Rights Reserved

Confidential and proprietary information of NCR Voyix Corporation.
Unauthorized use, reproduction and/or distribution is strictly prohibited.

Revision Record

Issue	Date	Remarks
A	Jan 2023	First issue.

7360-K127 Large Basket Adapter Plate

The Large Basket Adapter Plate is used to attach a Large Basket (Basket) Module on the Self-Checkout unit. This publication provides the following procedures for installing the Large Basket Adapter Plate on an NCR FastLane SelfServ™ Checkout (7360) R65 Full Function unit.

The NCR FastLane SelfServ™ Checkout with a Bagging Area (Bagwell) Module or Large Basket (Large Basket) Module can be configured for either Left-hand (LH) orientation or Right-hand (RH) orientation, which refers to the direction customers scan and bag items.

- Left-hand (LH) orientation—Customers scan from left to right.
- Right-hand (RH) orientation—Customers scan from right to left.

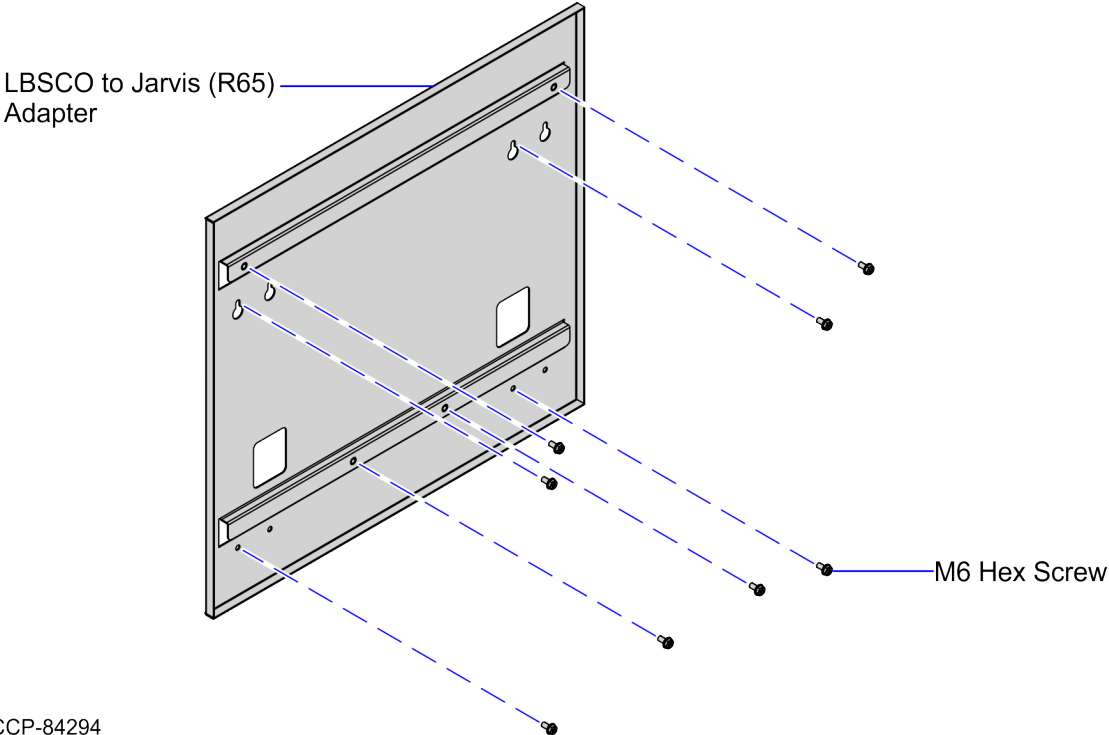
**Note**

The orientation of the unit is determined by the position of the Lower Core (Cabinet) Module in relation to the Bagwell or Large Basket.

**Example**

The Left-hand (LH) unit has the Cabinet positioned on the left side of the Bagwell or Large Basket.

Kit Contents



Part Number	Description
497-0536065	7360-K127 Input Belt Adapter Kit
006-8628739	Screw Hex M6 x 12 MC Comb, 8 pcs
795-0301928	Adapter, LBSCO to Jarvis (R65) (WM Medium Gray)
* 497-0423108	Kit Instructions Kit (Reference Sheet)

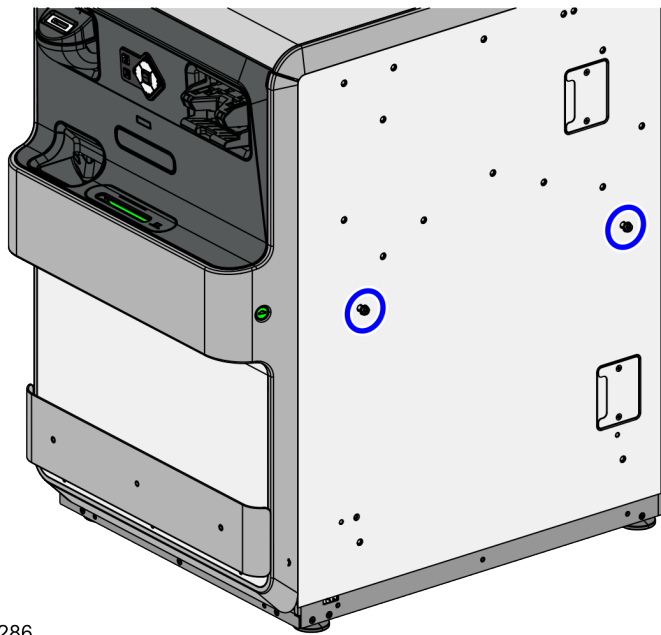
* Items marked with an asterisk are not called out on the image.

Installation Procedures

To install the Large Basket Adapter Plate, follow these steps:

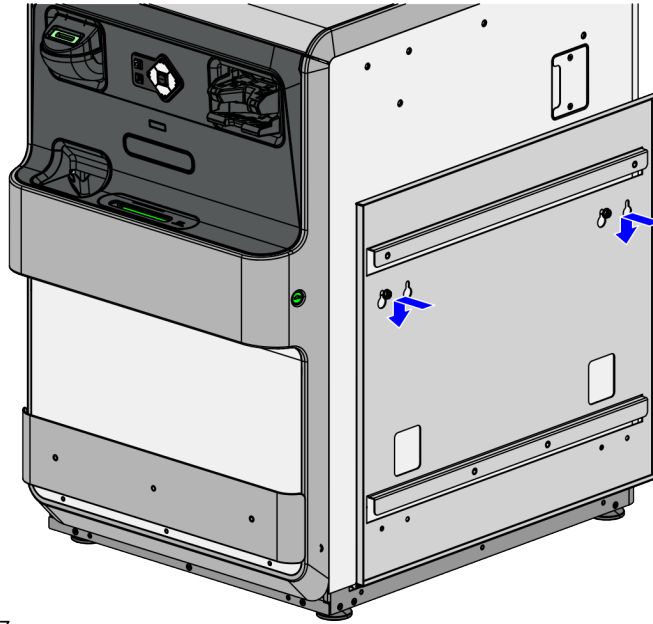
i Note
For the purpose of illustration only, the following images show a Left-hand (LH) orientation unit.

1. Insert two (2) screws into the top screw slots as an alignment guide. Leave at least $\frac{1}{4}$ inch of the screw threads visible.



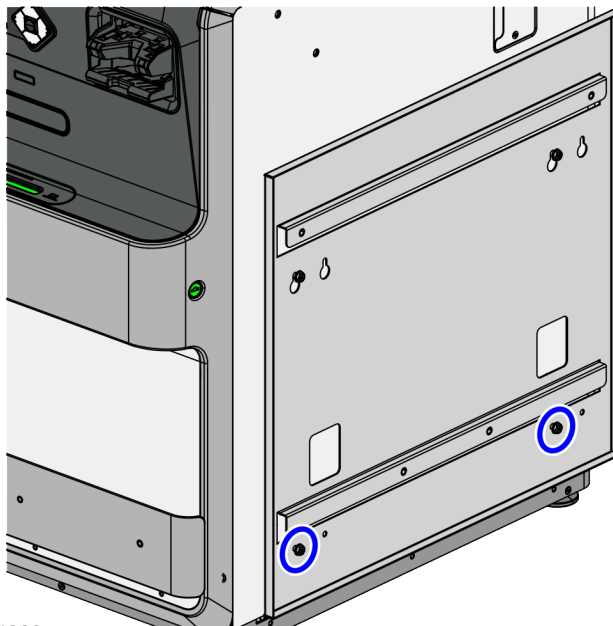
CCP-84286

2. Mount the two (2) mounting holes of the Adapter Plate onto the two (2) top screws, as shown in the image below.



CCP-84287

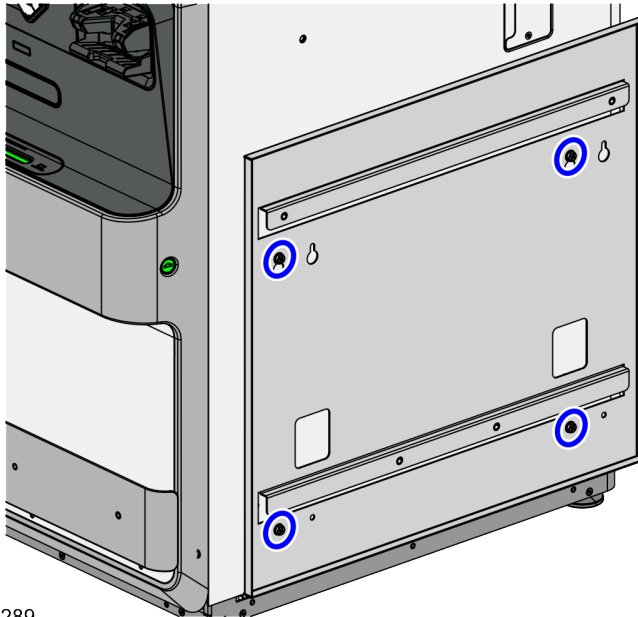
3. Install the two (2) bottom screws.



CCP-84288

Confidential and proprietary information of NCR Voyix Corporation.
Unauthorized use, reproduction and/or distribution is strictly prohibited.

4. Tighten all four (4) screws to secure the Adapter Plate on the , as shown in the image below.

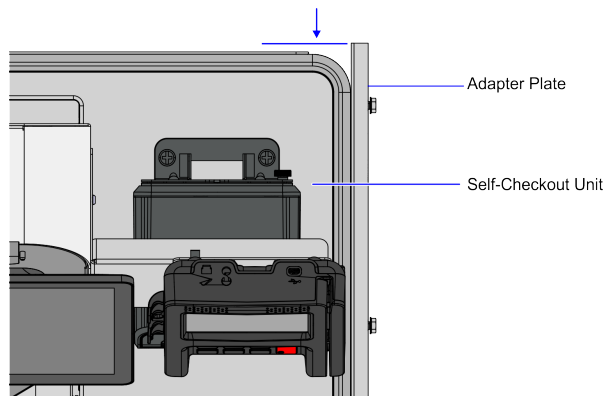


CCP-84289



Note

The Adapter Plate is extended beyond the back of the Self-Checkout unit, as shown in the image below.

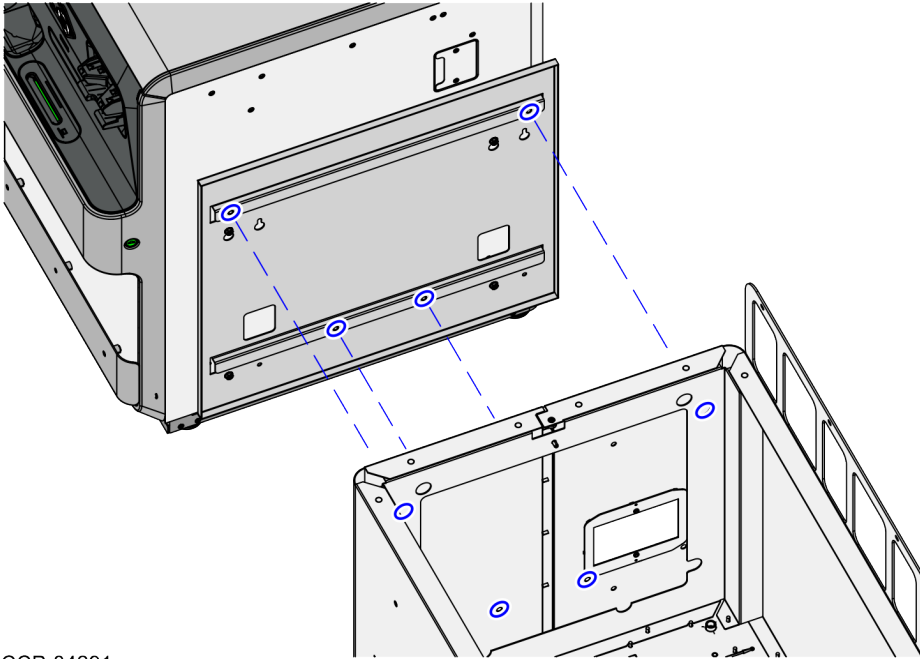


CCP-84290

- Align the holes on the End Panel of the Corner with the four (4) holes on the Adapter Plate and then secure using four (4) screws, as shown in the image below.

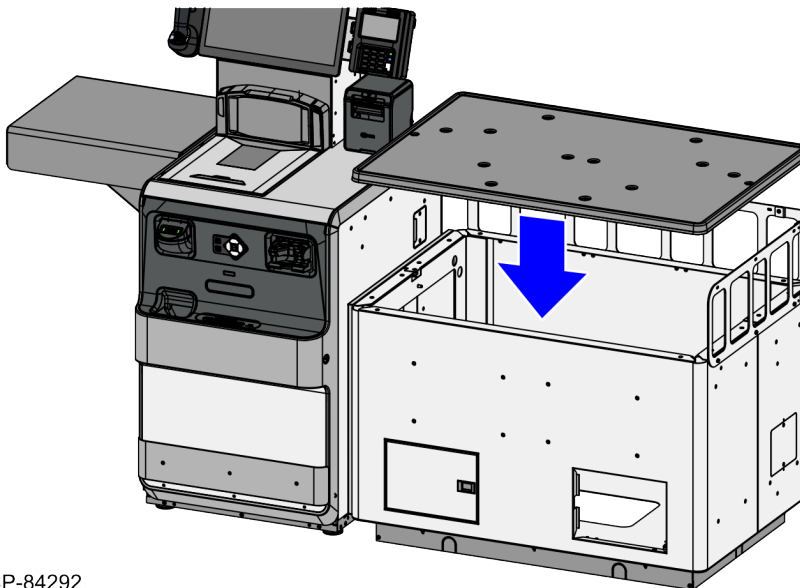
i Note

If necessary, adjust the leveling feet of the Core Cabinet to align the mounting holes.



CCP-84291

- Install the Top Tray on the Corner Bagwell. Ensure that the captive screws on both ends of the Top Tray are aligned with the corresponding screw holes on the Bagwell.



CCP-84292

7. Install all other Bagwell modules and accessories, if necessary. For more information, refer to [*NCR FastLane SelfServ™ Checkout \(7360\) R65 Full Function Hardware User Documentation \(BCC5-0000-5537\)*](#).