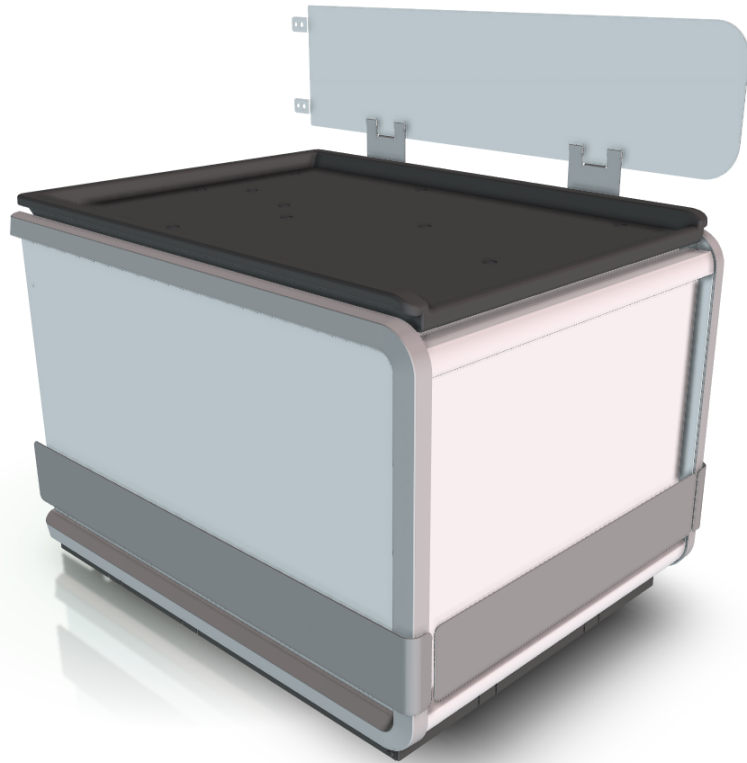


Kit Instructions

2-Bag Bagwell Upgrade



7360-K112/K115/K117/K120
Issue E



The product described in this document is a licensed product of NCR Corporation.

NCR is a registered trademark of NCR Corporation. NCR FastLane SelfServ™ Checkout is a trademark of NCR Corporation in the United States and/or other countries. Other product names mentioned in this publication may be trademarks or registered trademarks of their respective companies and are hereby acknowledged.

The terms HDMI and HDMI High-Definition Multimedia Interface, and the HDMI Logo are trademarks or registered trademarks of HDMI Licensing LLC in the United States and other countries.

Where creation of derivative works, modifications or copies of this NCR copyrighted documentation is permitted under the terms and conditions of an agreement you have with NCR, NCR's copyright notice must be included.

It is the policy of NCR Corporation (NCR) to improve products as new technology, components, software, and firmware become available. NCR, therefore, reserves the right to change specifications without prior notice.

All features, functions, and operations described herein may not be marketed by NCR in all parts of the world. In some instances, photographs are of equipment prototypes. Therefore, before using this document, consult with your NCR representative or NCR office for information that is applicable and current.

To maintain the quality of our publications, we need your comments on the accuracy, clarity, organization, and value of this book. Please use the link below to send your comments.

EMail: FD230036@ncr.com

Copyright © 2016-2021

By NCR Corporation

864 Spring St. NW

Atlanta, GA 30308

United States

All Rights Reserved

Revision Record

Issue	Date	Remarks
A	Sep 2016	First issue.
B	Jun 2017	Updated IP PDF template.
C	Nov 2019	<ul style="list-style-type: none">• Added Changing Bagwell Orientation on page 32.• Updated 7360-K112 2-Bag Bagwell Upgrade (NCR Dark White) on page 2.
D	Oct 2020	Updated Kit Contents.
E	Mar 2021	<ul style="list-style-type: none">• Added 7360-K120 2-Bag Bagwell Upgrade (WM Speckled Gray) on page 9.• Updated Kit Contents.

7360-K112/K115/K117/K120 2-Bag Bagwell Upgrade

This publication provides procedures for installing a 2-Bag Bagwell to a 7360 NCR FastLane SelfServ™ Checkout.

Kit Contents

Depending on the color variant of the Bagwell, refer to the following sections for information about kit contents:

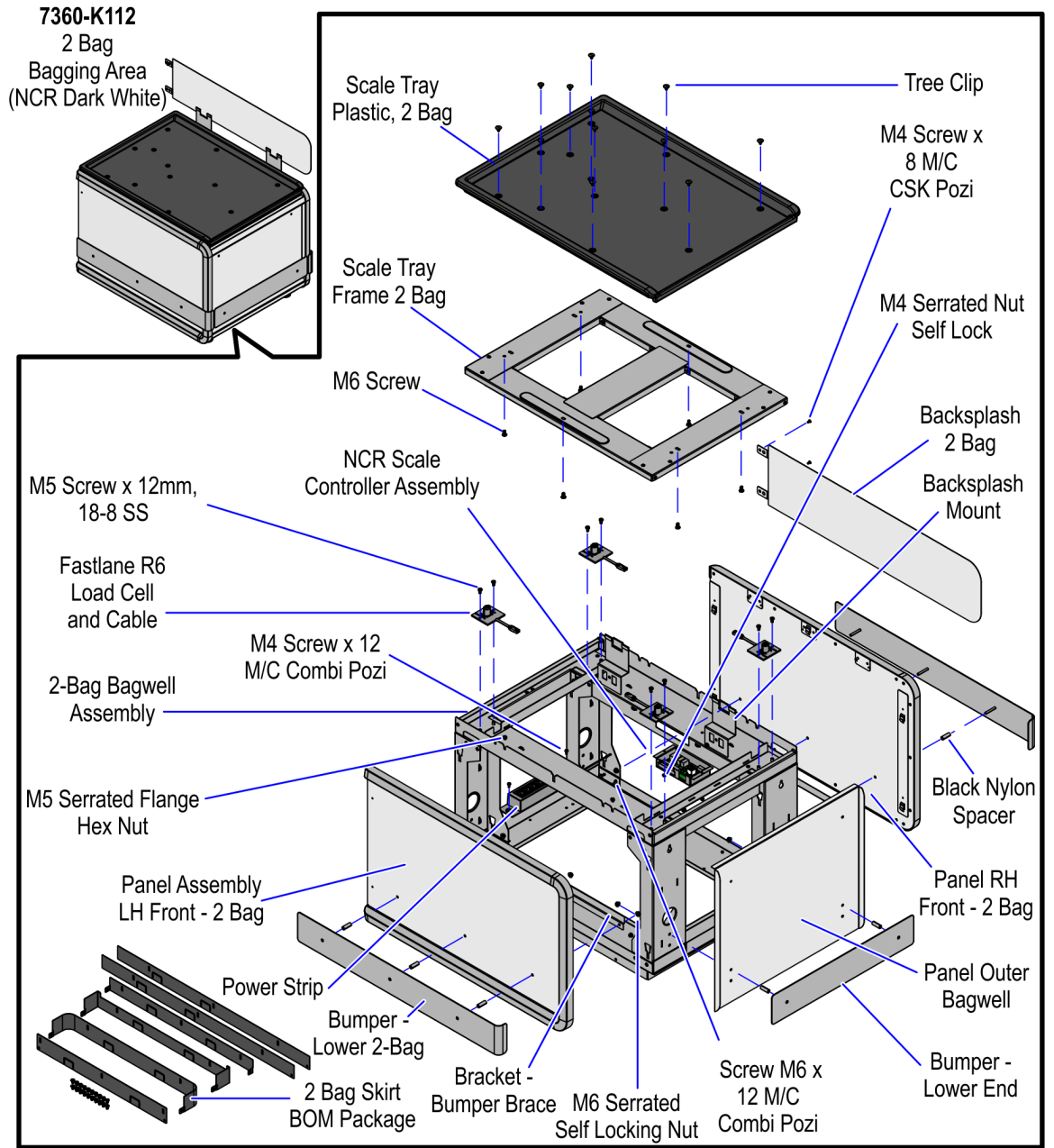
- [7360-K112 2-Bag Bagwell Upgrade \(NCR Dark White\)](#) on the next page.



Note: The 7360-K112 2-Bag Bagwell Upgrade Kit comes with preinstalled bumpers.

- [7360-K115 2-Bag Bagwell Upgrade \(Oyster White\)](#) on page 5.
- [7360-K117 2-Bag Bagging Area \(RAL 7021 Black\)](#) on page 7.
- [7360-K120 2-Bag Bagwell Upgrade \(WM Speckled Gray\)](#) on page 9.

7360-K112 2-Bag Bagwell Upgrade (NCR Dark White)

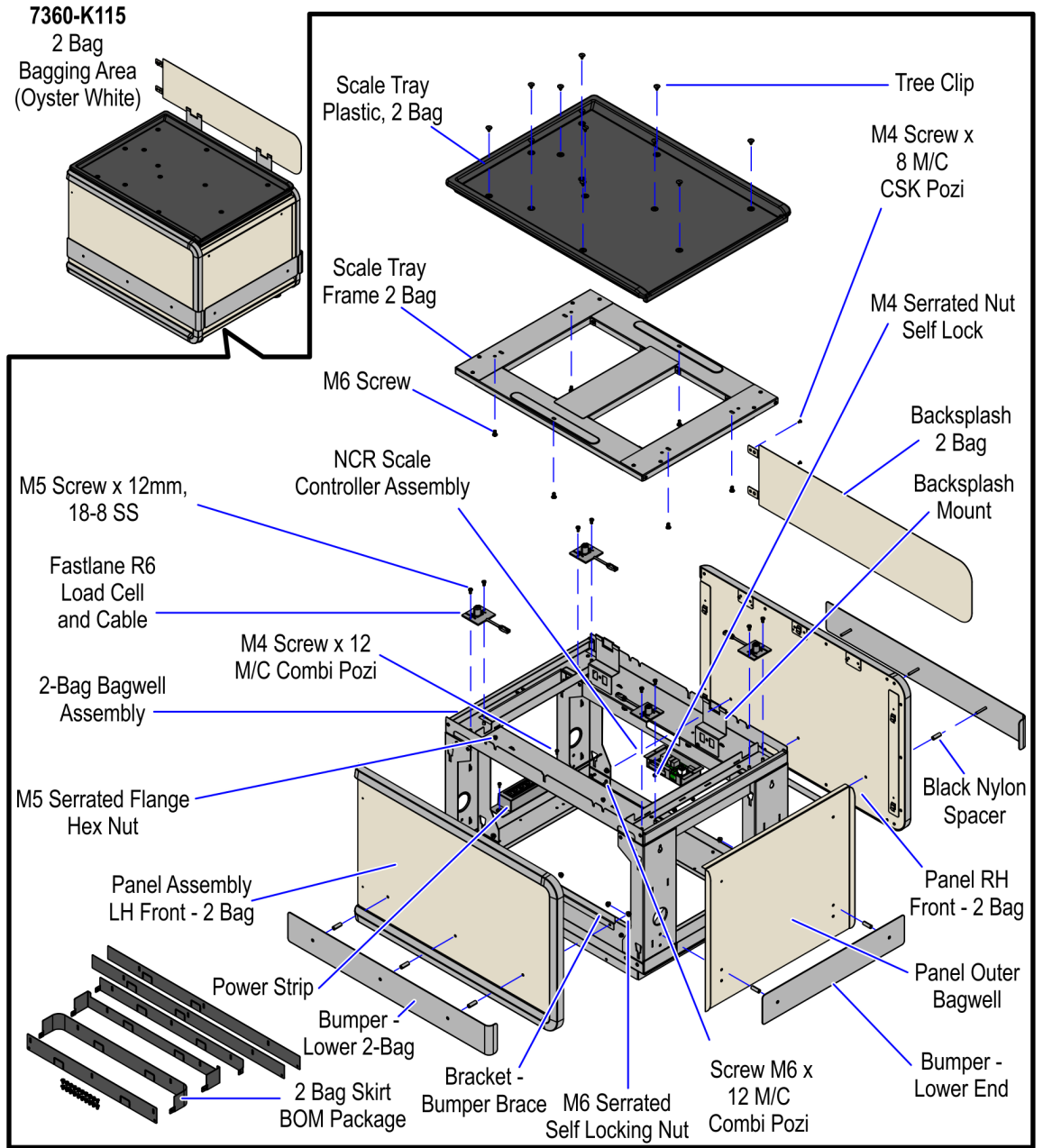


Part Number	Description
497-0527953	7360-K112 1-Bag Bagwell Upgrade (Oyster White) Kit - Preferred Offer
497-0522278	Bagwell Assembly - 2-Bag
497-0468420	Assembly- NCR Scale Controller
009-0006593	Screws M4 x 10 (2 pcs)
497-0511500	Fastlane R6 Load Cell and Cable (4 pcs)
006-8624052	Screw - 18-8 SS, M5 x 12 mm, Pan Head, Phillips, External-Tooth Washer (8 pcs)
009-0006599	Screw Hex M6 x 12 MC Comb (4 pcs)
795-0264901	Panel - Outer - Bagwell (NCR Dark White)
795-0262901	Panel - LH Front - 2-Bag (NCR Dark White)
795-0263101	Panel - RF Front - 2-Bag (NCR Dark White)
795-0217101	Backsplash - Mount (NCR Dark White) (2 pcs)
006-8627026	Nut - M5 Serrated Flange, Hex (8 pcs)
795-0217301	Backsplash - 2-Bag (NCR Dark White)
007-7022121	Screw MA Flat Poz M4 8L (2 pcs)
497-0527258	Scale Tray Frame - 2-Bag
497-0506269	Scale Tray Plastic - 2-Bag
497-0421485	Power Strip, IEC 4-Pos, Plastic Case
497-0507914	Skirt - 2-Bag Bom Package
006-8626680	Screw M6 Size, 8 mm Length, 1 mm Pitch Pan Head Phillips Thread Locking Patch (6 pcs)
497-0508973	Tree Clip for 0.197 on Hole Diameter 0.50 Lng 0.63 Head Od (12 pcs)
* 497-0445077	Cable: (Black) 4M USB + Power (12 V) to 2 x 4 Latch-N-Lok
* 795-0281601	Hole Cover Label - (NCR Dark White)
* 497-0426042	Bag - 2 and 3.5 bagger, LHC and RHC, Input Belt
* 007-9714414	Tie Strap Plain 5.60Lg (4 pcs)
497-0506283	Bracket - Bumper Brace - 2-Bag (2 pcs)

Part Number	Description
497-0517634	Black Nylon Spacer 10.0 mm OD x 6.3 mm ID x 28.00 mm L (8 pcs)
497-0519707	Bumper - Lower - End
497-0519708	Bumper - Lower - 2-Bag (2 pcs)
009-0007088	Serrated Nut - Self Locking (M6, 6.0) (8 pcs)
009-0007087	Serrated Nut - Self Locking (M4, 4.2) (2 pcs)
* 497-0423108	Instructions-Kit (Reference Sheet)

* Items marked with an asterisk are not called out on the image.

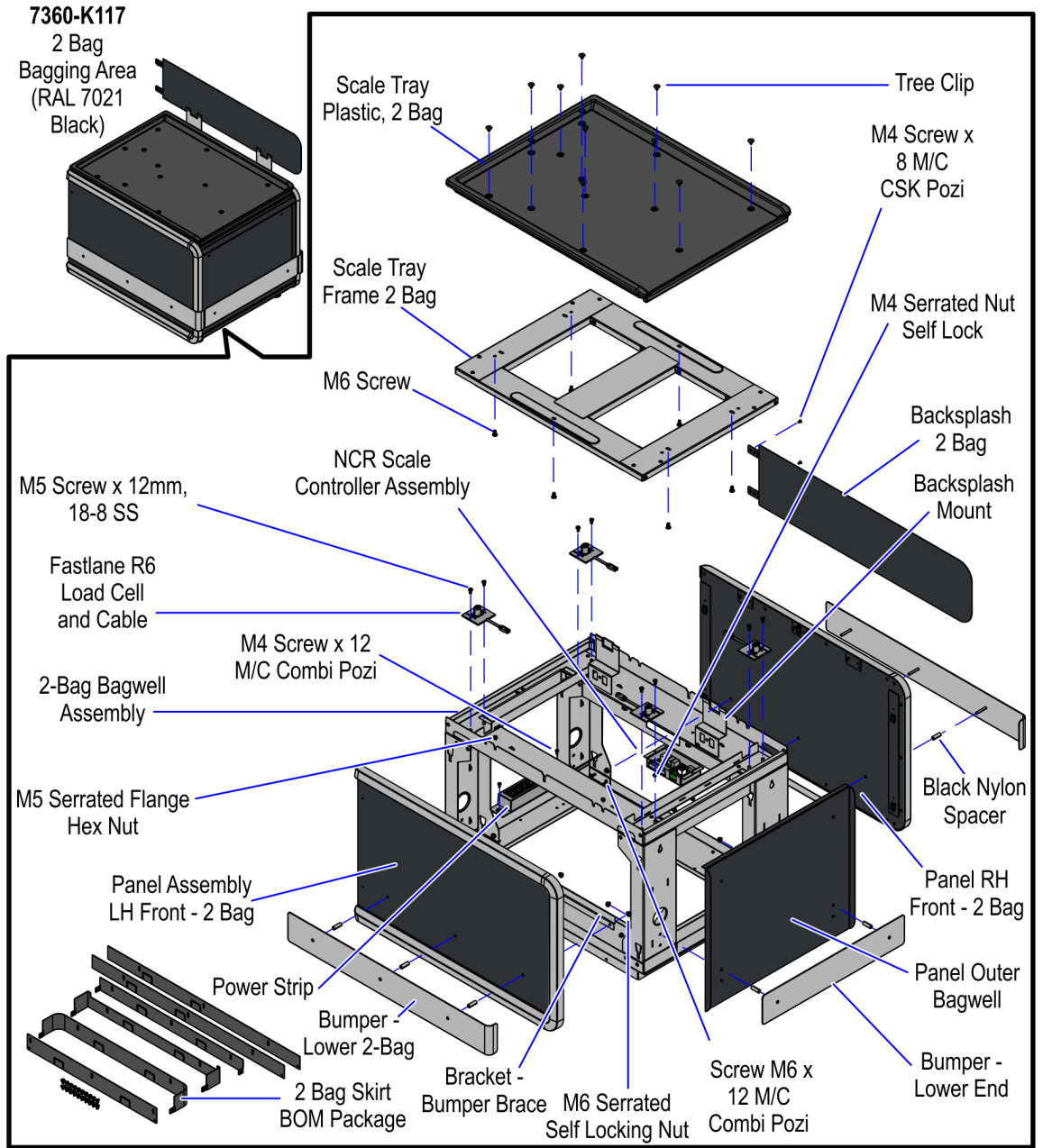
7360-K115 2-Bag Bagwell Upgrade (Oyster White)



Part Number	Description
497-0527949	7360-K115 2-Bag Bagwell Upgrade (Oyster White) Kit
497-0522278	Bagwell Assembly - 2-Bag
497-0468420	Assembly- NCR Scale Controller
009-0006593	Screws M4 x 10 (2 pcs)
497-0511500	FastLane R6 Load Cell and Cable (4 pcs)
006-8624052	Screw - 18-8 SS, M5 x 12 mm, Pan Head, Phillips, External-Tooth Washer (8 pcs)
009-0006599	Screw Hex M6 X 12 MC COMB (4 pcs)
795-0264920	Panel - Outer - Bagwell (Oyster White)
795-0262920	Panel - LH Front - 2-Bag (Oyster White)
795-0263120	Panel - RH Front - 2-Bag (Oyster White)
795-0217120	Backsplash - Mount (Oyster White) (2 pcs)
006-8627026	Nut - M5 Serrated Flange, Hex (8 pcs)
795-0217320	Backsplash - 2-Bag (Oyster White)
007-7022121	Flat Headed Screw (2 pcs)
497-0527258	Scale Tray Frame - 2-Bag
497-0506269	Scale Tray Plastic - 2-Bag
497-0421485	Power Strip, IEC 4-POS, Plastic Case
497-0507914	Skirt - 2-Bag BOM Package
006-8624541	Screw M6 Size, 12 mm Length, 1 mm Pitch Pan Head Phillips Thread Locking Patch (6 pcs)
497-0508973	Tree Clip For 0.197 in Hole Diameter 0.50 Lng 0.63 Head OD (12 pcs)
* 497-0445077	Cable: (Black) 4M USB + Power (12 V) to 2x4 Latch-N-Lok
* 795-0281620	Hole Cover Label - (Oyster White)
* 497-0426042	Bag - 2 and 3.5 Bagger, LHC and RHC, Input Belt
* 007-9714414	Tie Strap Plain 5.60 LG (4 pcs)
009-0007087	Serrated Nut - Self Locking (M4, 4.2) (2 pcs)
* 497-0423108	Instructions-Kit (Reference Sheet)

* Items marked with an asterisk are not called out on the image.

7360-K117 2-Bag Bagging Area (RAL 7021 Black)

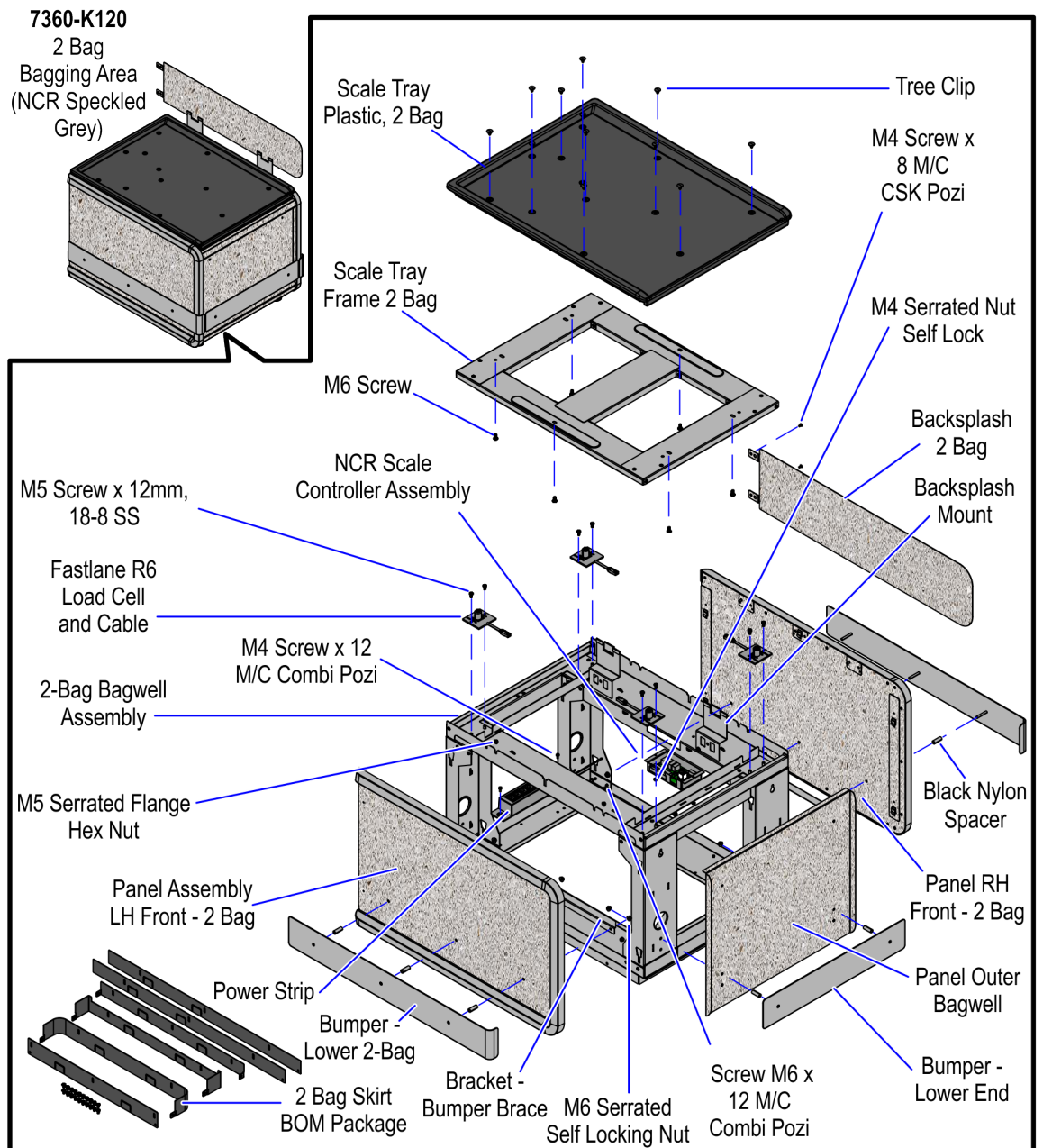


Part Number	Description
497-0527952	7360-K117 2-Bag Bagwell Upgrade (RAL 7021 Black) Kit
497-0522278	Bagwell Assembly - 2-Bag
497-0468420	Assembly- NCR Scale Controller
009-0006593	Screws M4 x 10 (2 pcs)
497-0511500	Fastlane R6 Load Cell and Cable (4 pcs)
006-8624052	Screw - 18-8 SS, M5 x 12 mm, Pan Head, Phillips, External-Tooth Washer (8 pcs)
009-0006599	Screw Hex M6 x 12 MC COMB (4 pcs)
795-0264907	Panel - Outer - Bagwell (RAL 7021 Black)
795-0262907	Panel - LH Front - 2-Bag (RAL 7021 Black)
795-0263107	Panel - RH Front - 2-Bag (RAL 7021 Black)
795-0217107	Backsplash - Mount (RAL 7021 Black) (2 pcs)
006-8627026	Nut - M5 Serrated Flange, Hex (8 pcs)
795-0217307	Backsplash - 2-Bag (RAL 7021 Black)
007-7022121	Screw MA Flat Poz M4 8L (2 pcs)
497-0527258	Scale Tray Frame - 2-Bag
497-0506269	Scale Tray Plastic - 2 Bag
497-0421485	Power Strip, IEC 4-POS, Plastic Case
497-0507914	Skirt - 2-Bag BOM Package
006-8624541	Screw M6 Size, 12 mm Length, 1 mm Pitch Pan Head Phillips Thread Locking Patch (6 pcs)
497-0508973	Tree Clip for 0.197 in Hole Diameter 0.50 Lng 0.63 Head OD (12 pcs)
497-0517634	Black Nylon Spacer 10.0Mm Od X 6.3Mm Id X 28.00Mm L (8 Pcs)
497-0519707	Bumper - Lower - End
497-0519708	Bumper - Lower - 2Bag (2 Pcs)
009-0007088	Serrated Nut - Self Locking (M6, 6.0) (8 Pcs)
* 497-0445077	Cable: (Black) 4M USB + Power (12 V) to 2x4 Latch-N-Lok
* 795-0281607	Hole Cover Label - (RAL 7021 Black)

Part Number	Description
* 497-0426042	Bag - 2 and 3.5 Bagger, LHC and RHC, Input Belt
* 007-9714414	Tie Strap Plain 5.60 LG (4 pcs)
009-0007087	Serrated Nut - Self Locking (M4, 4.2) (2 Pcs)
* 497-0423108	Instructions-Kit (Reference Sheet)

* Items marked with an asterisk are not called out on the image.

7360-K120 2-Bag Bagwell Upgrade (WM Speckled Gray)



Part Number	Description
497-0530506	7360-K120 2-Bag Bagwell Upgrade (WM Speckled Gray) Kit
497-0522278	Bagwell Assembly - 2-Bag
497-0468420	Assembly- NCR Scale Controller
009-0006593	Screws M4 x 10 (2 pcs)
497-0511500	FastLane R6 Load Cell and Cable (4 pcs)
006-8624052	Screw - 18-8 SS, M5 x 12 mm, Pan Head, Phillips, External-Tooth Washer (8 pcs)
009-0006599	Screw Hex M6 X 12 MC COMB (4 pcs)
795-0264903	Panel - Outer - Bagwell (WM Speckled Gray)
795-0262903	Panel - LH Front - 2-Bag (WM Speckled Gray)
795-0263103	Panel - RH Front - 2-Bag (WM Speckled Gray)
795-0217103	Backsplash - Mount (WM Speckled Gray) (2 pcs)
006-8627026	Nut - M5 Serrated Flange, Hex (8 pcs)
795-0217303	Backsplash - 2-Bag (WM Speckled Gray)
007-7022121	Flat Headed Screw (2 pcs)
497-0527258	Scale Tray Frame - 2-Bag
497-0506269	Scale Tray Plastic - 2-Bag
497-0421485	Power Strip, IEC 4-POS, Plastic Case
497-0507914	Skirt - 2-Bag BOM Package
006-8624541	Screw M6 Size, 12 mm Length, 1 mm Pitch Pan Head Phillips Thread Locking Patch (6 pcs)
497-0508973	Tree Clip For 0.197 in Hole Diameter 0.50 Lng 0.63 Head OD (12 pcs)
* 497-0445077	Cable: (Black) 4M USB + Power (12 V) to 2x4 Latch-N-Lok
* 795-0281603	Hole Cover Label - (WM Speckled Gray)
* 497-0426042	Bag - 2 and 3.5 Bagger, LHC and RHC, Input Belt
* 007-9714414	Tie Strap Plain 5.60 LG (4 pcs)
009-0007087	Serrated Nut - Self Locking (M4, 4.2) (2 pcs)
* 497-0423108	Instructions-Kit (Reference Sheet)

* Items marked with an asterisk are not called out on the image.

Installation Procedures

To install a new 2-Bag Bagwell to an NCR FastLane SelfServ™ Checkout 7360, follow these steps:



Note: For the purpose of illustration only, the procedures show images using a 7360-K112 Bagwell.

1. Remove the existing Bagwell, if any. For more information, refer to [Removing Existing Bagwell](#) on the next page.
2. Change the Bagwell orientation. For more information, refer to [Changing Bagwell Orientation](#) on page 32.



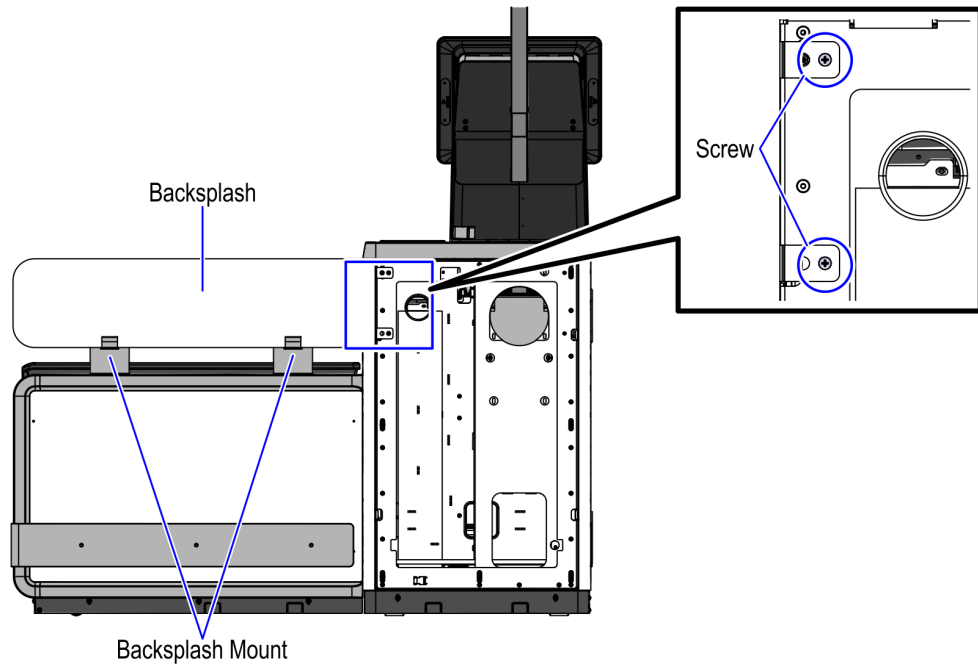
Note: This procedure may be optional.

3. Install the new Bagwell. For more information, refer to [Installing New Bagwell](#) on page 17.
4. Route the USB Power Cable to the Scale Controller. For cable routing guidelines, refer to [Cable Routing](#) on page 27.

Removing Existing Bagwell

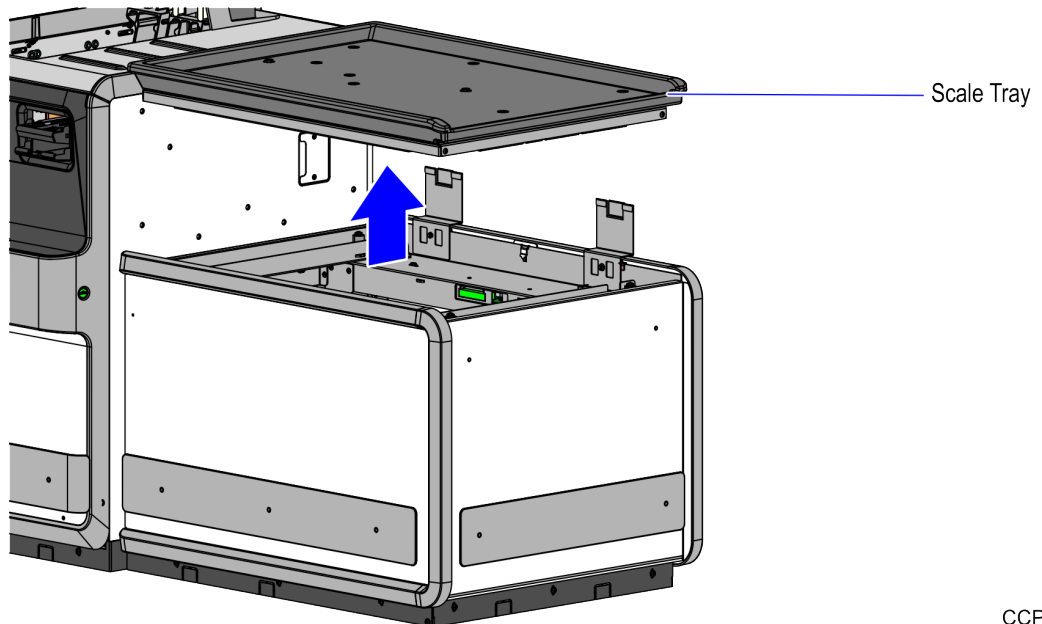
To remove an existing Bagwell, follow these steps:

1. Remove the back panel of the Core.
2. Remove the two screws that secure the Backsplash to the back of the Core.



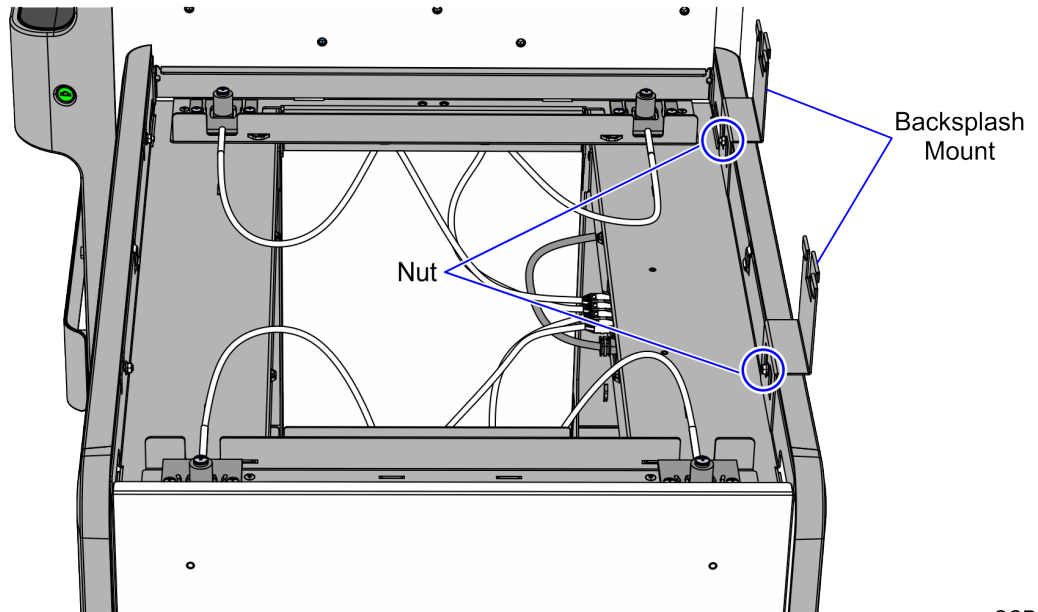
CCP-77416

3. Remove the Backsplash.
4. Lift and remove the Scale Tray from the Bagwell.



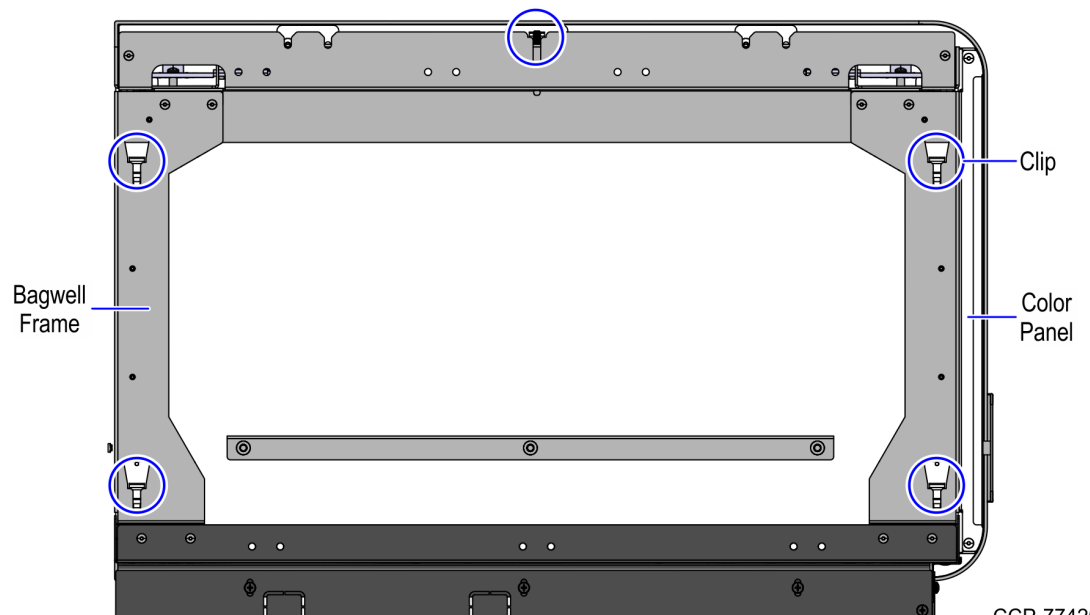
CCP-77418

- Remove four (4) nuts that secure the front and back color panels to the Bagwell Frame.



CCP-77419

- Remove two (2) Backsplash Mounts.
- Remove the front and back color panels by pulling it up until it unclips from the Bagwell Frame.

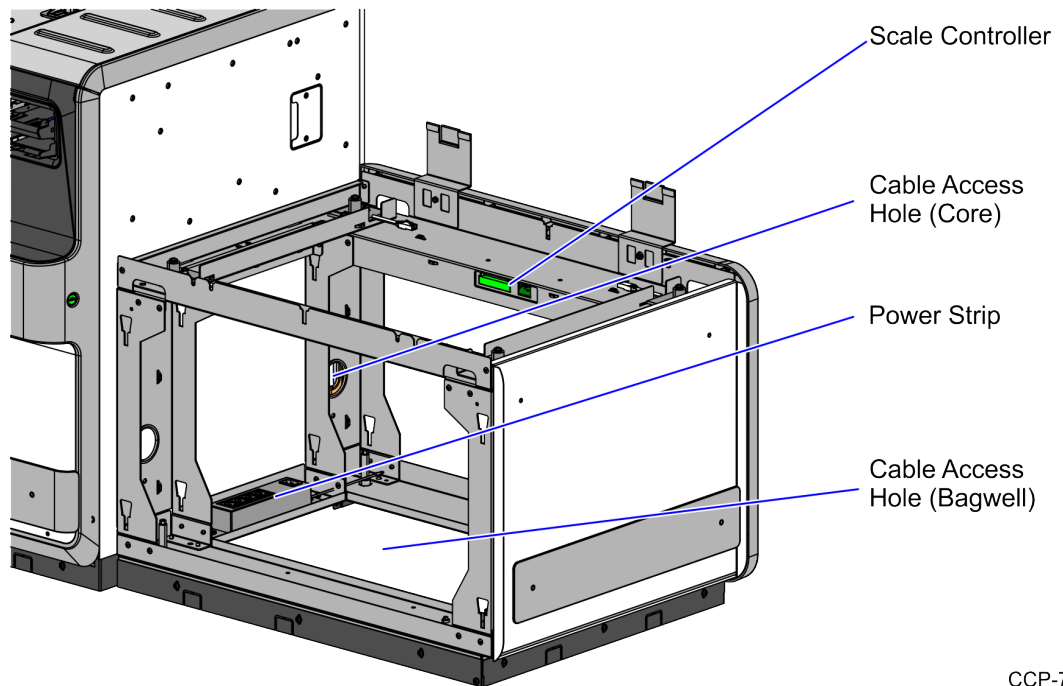


CCP-77420

8. Disconnect the following cables:
 - USB Power Cable from the Scale Controller
 - Local Area Network (LAN) Cable from the Customer Interface
 - AC Power Out Cables from the Power Strip
 - AC Power In Cable from the Power Strip



Note: Remove cable ties, if necessary.

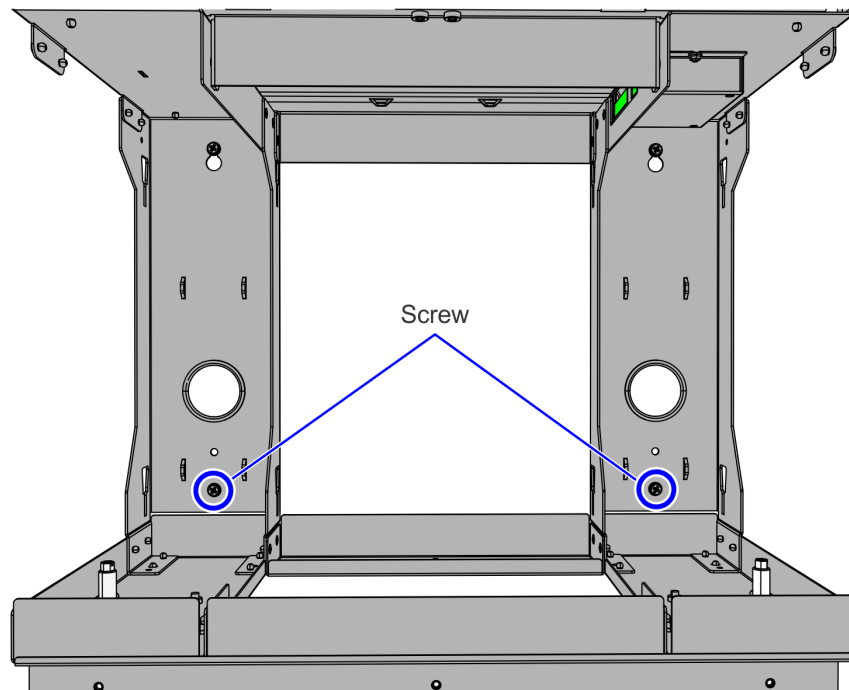


CCP-77422

9. Route the following cables through the cable access hole of the Core:
 - USB Power Cable
 - Local Area Network (LAN) Cable
 - AC Power Out Cables
10. Route the AC Power In Cable through the cable access hole on the base of the Bagwell.

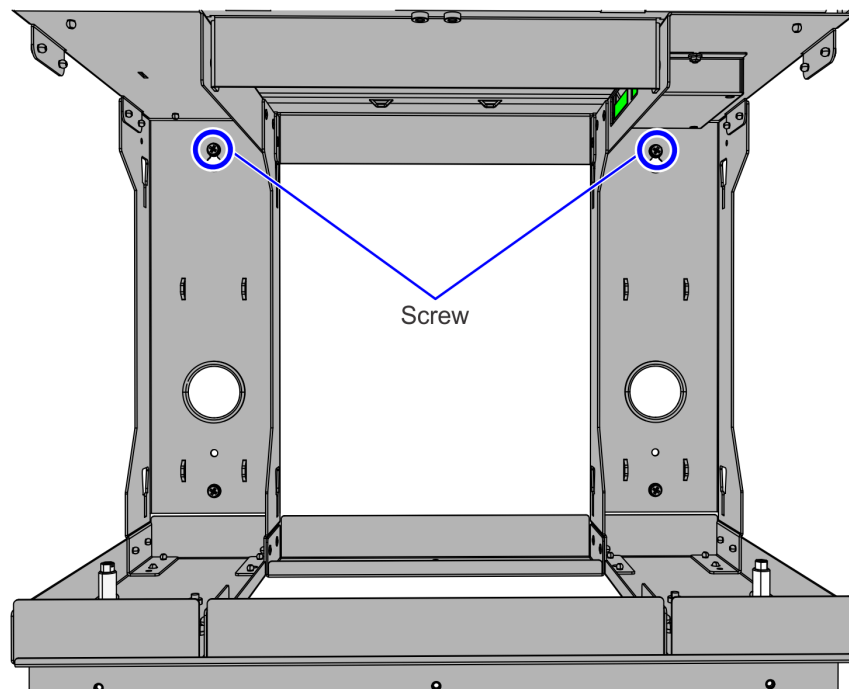
11. Remove the Bagwell.

- a. Remove the two bottom screws that secure the Bagwell to the Core.



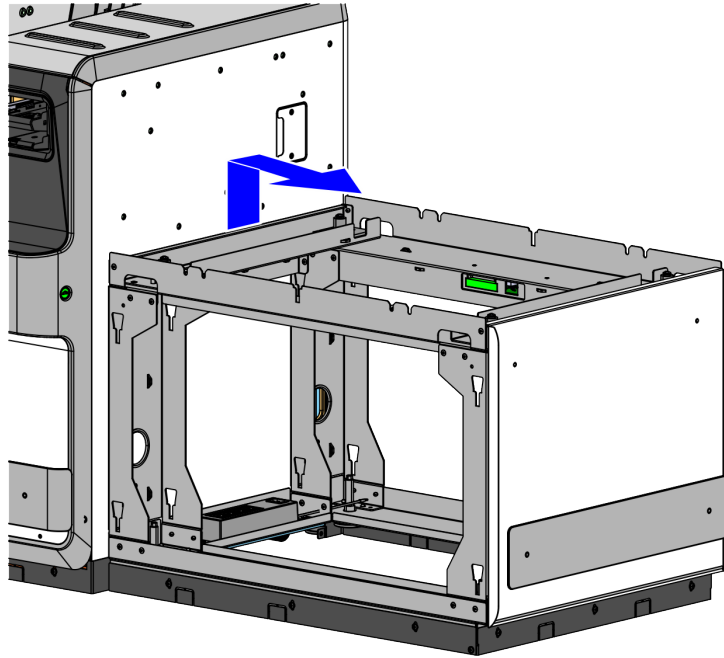
CCP-77437

- b. Loosen the two upper screws that secure the Bagwell to the Core.



CCP-77438

- c. Lift the Bagwell up and away from the Core. The screw heads will pass through the key holes of the Bagwell Side Support.



CCP-77423



Note: If no new Bagwell will be installed in the same orientation, simply remove all four screws that secure the Bagwell to the Core.

Installing New Bagwell

To install a new 2-Bag Bagwell, follow these steps:

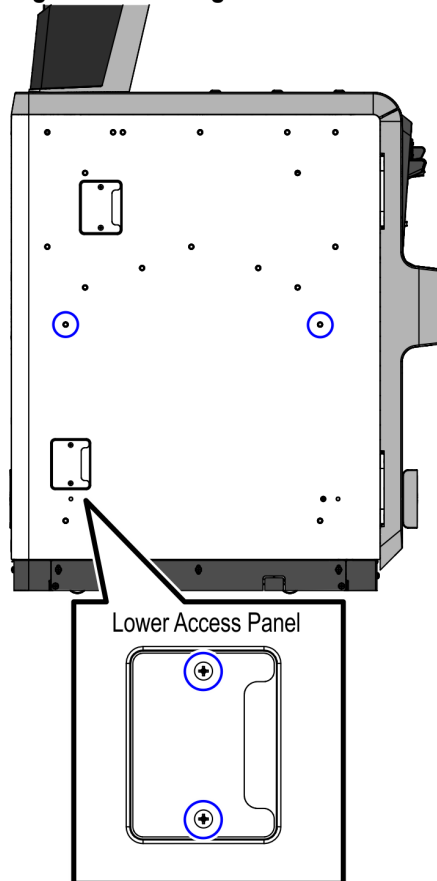


Note: If changing the Bagwell orientation (Left-Hand or Right-Hand), ensure that the orientation is changed before installing the new Bagwell to the Core.

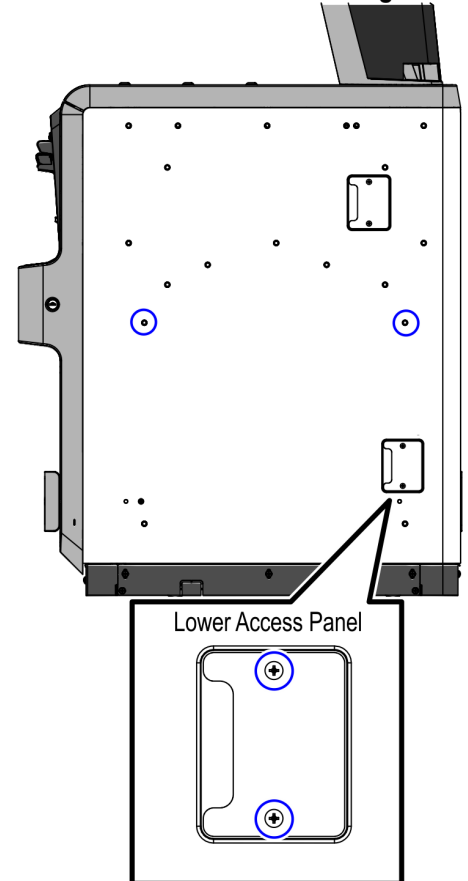
1. If installed, remove the following from the Core:

- Back Panel
- Lower Access Panel (2 screws) from the side of the Core where the new Bagwell will be installed

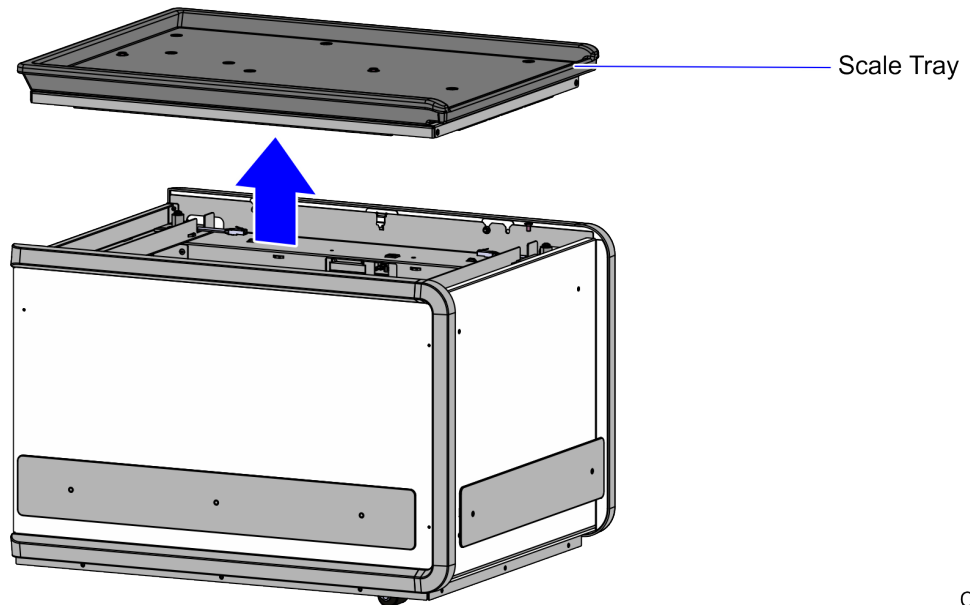
Right-hand Configuration



Left-hand Configuration

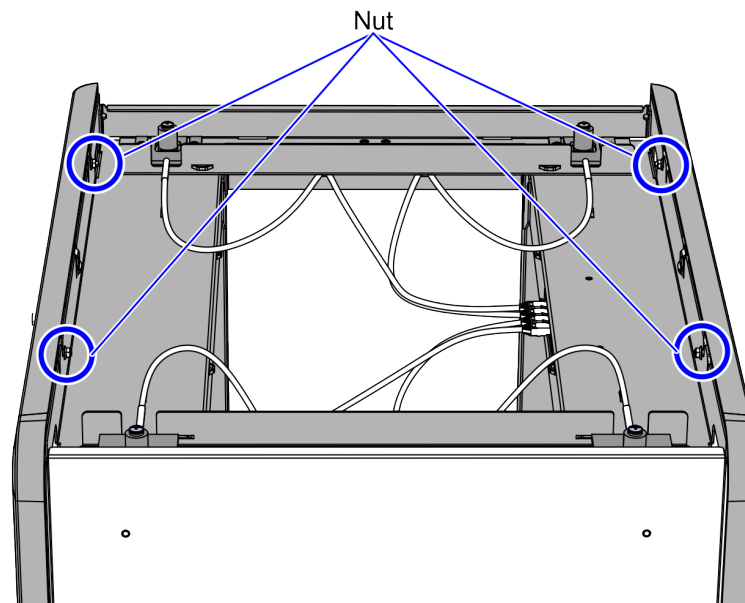


2. Lift and remove the Scale Tray from the Bagwell.



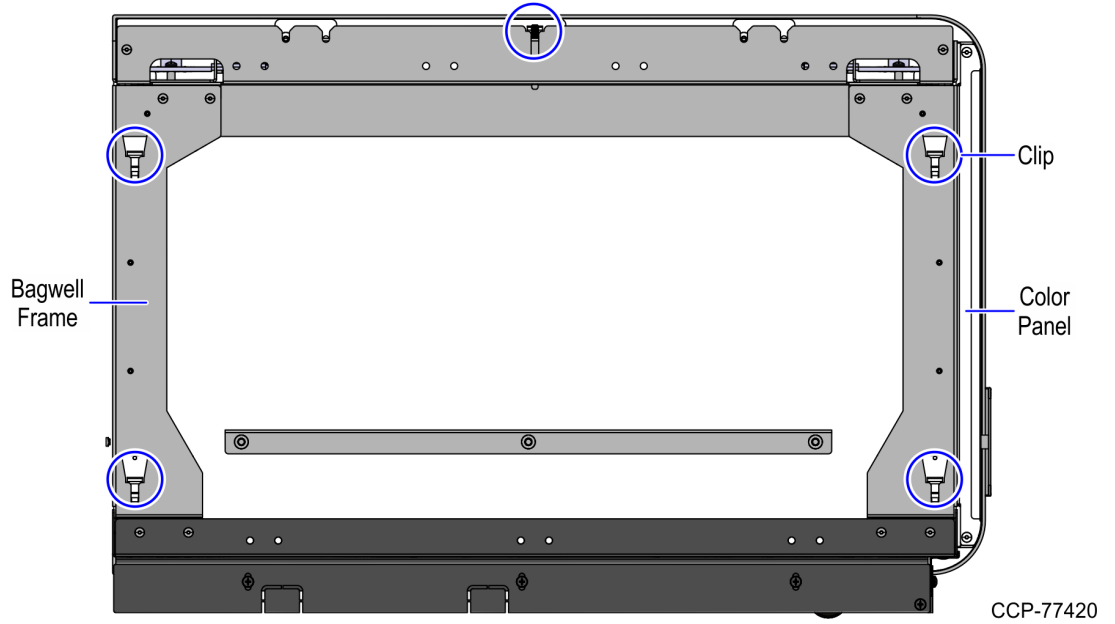
CCP-77460

3. Loosen four (4) nuts that secure the front and back color panels to the frame, as shown in the image below.

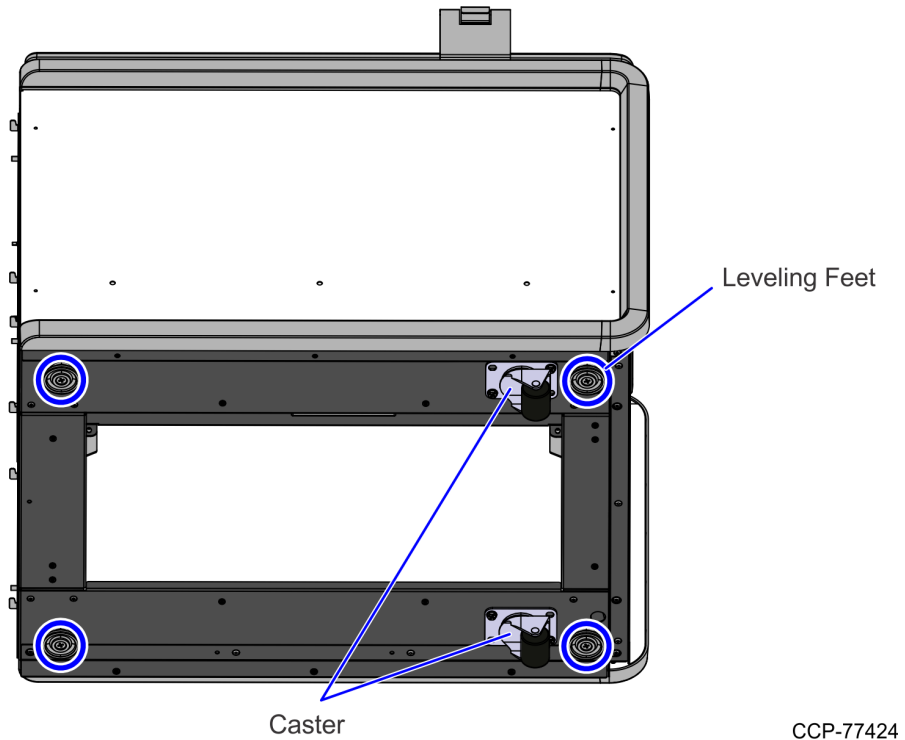


CCP-77461

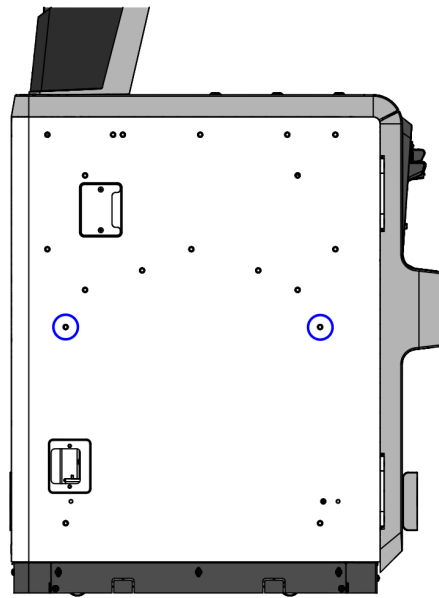
4. Remove the front and back color panels by pulling it up until it unclips from the Bagwell Frame.



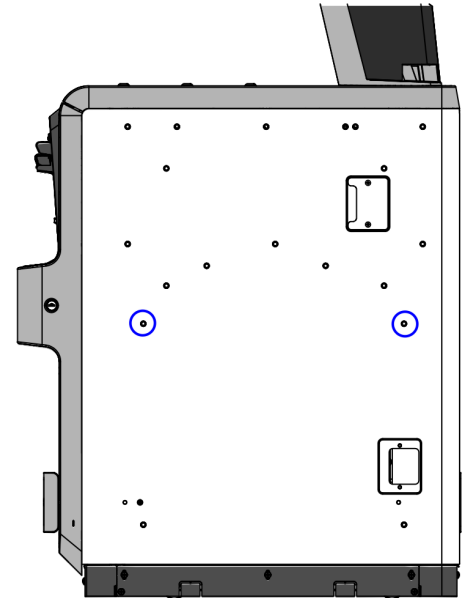
5. Lower all Bagwell Leveling Feet slightly beyond height of the casters. This will assist in lining up the Core and Bagwell mounting holes.



6. If not already present, partially thread two screws on the Bagwell side of the Core as shown. Leave approximately $\frac{1}{4}$ inch of threads exposed.



Right-hand Configuration



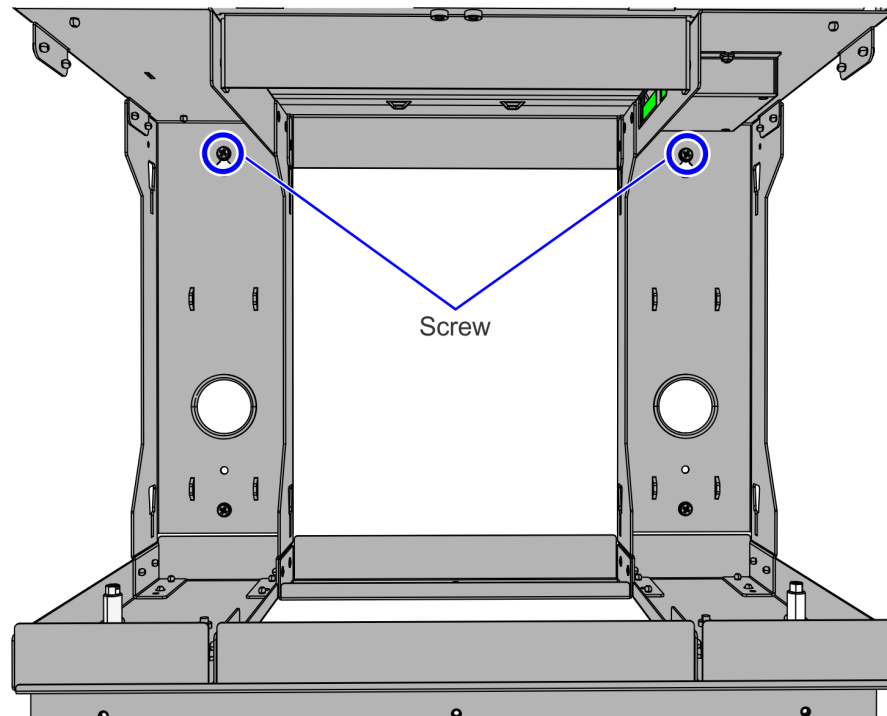
Left-hand Configuration

CCP-77443

7. Mate the new Bagwell to the Core by lifting the Bagwell frame up and over the partially threaded screws.

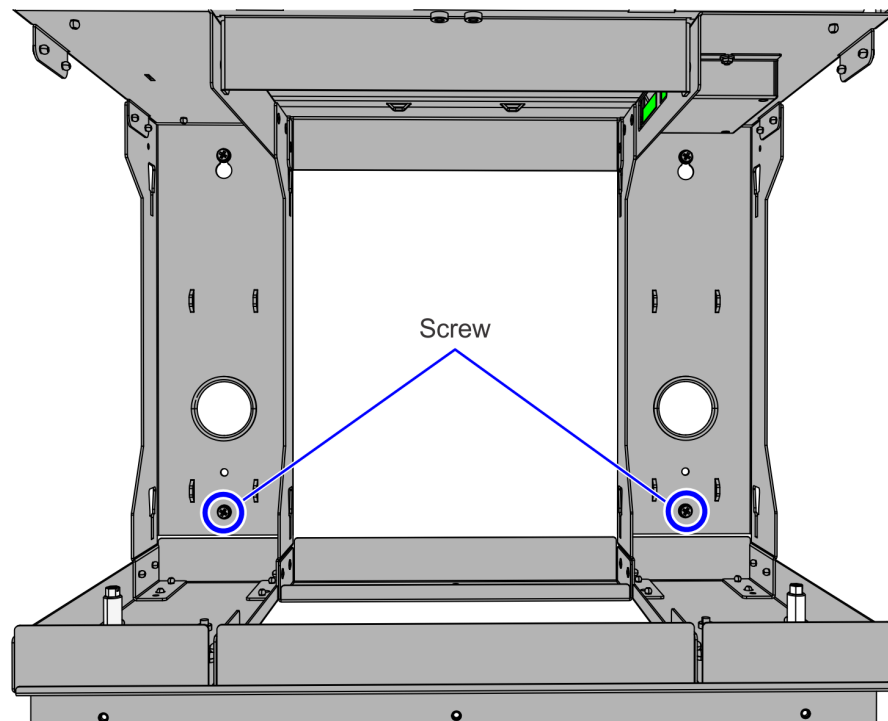


Note: Ensure that the two center key holes on the Bagwell Side Support are used.



CCP-77438

8. Tighten the two screws.
9. Install the two lower screws to secure the Bagwell to the Core.



CCP-77437

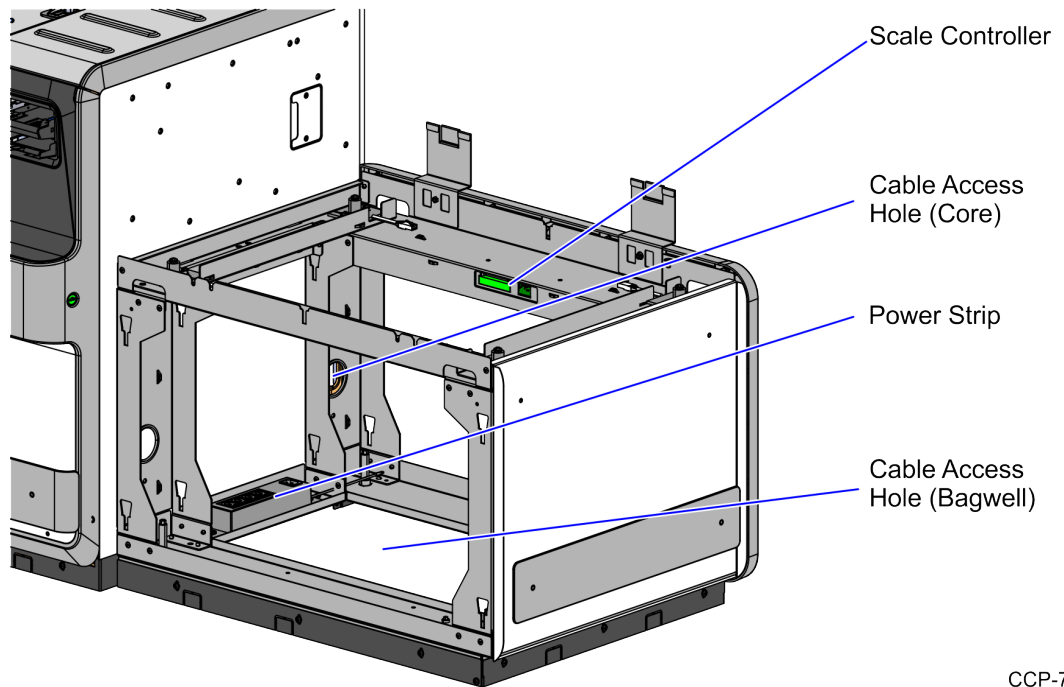
10. Route the cables through the cable access hole:

Bagwell Cable Access Hole

- AC Power In Cable

Core Cable Access Hole

- AC Power Out Cables
- Local Area Network (LAN) Cable
- USB Power Cable



CCP-77422

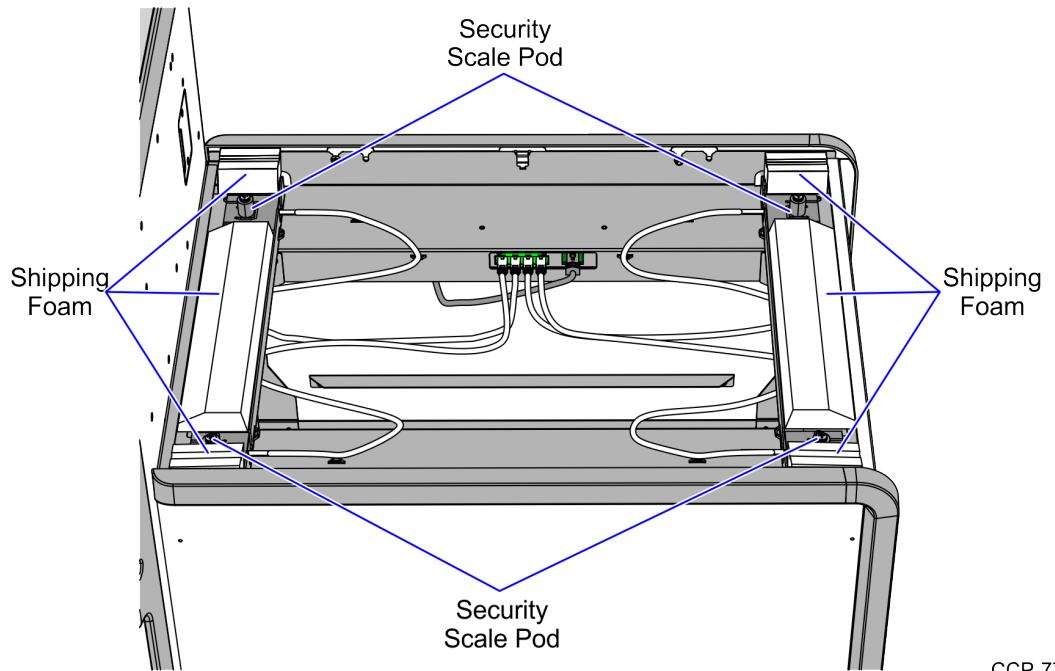
11. Connect the cables:

- AC Power In Cable to the Power Strip
- AC Power Out Cables to the Power Strip
- Local Area Network (LAN) Cable to the Customer Interface
- USB Power Cable to the Scale Controller



Note: For more information, refer to [Cable Routing](#) on page 27.

12. Remove the shipping foams from the scale pods, as shown in the image below.

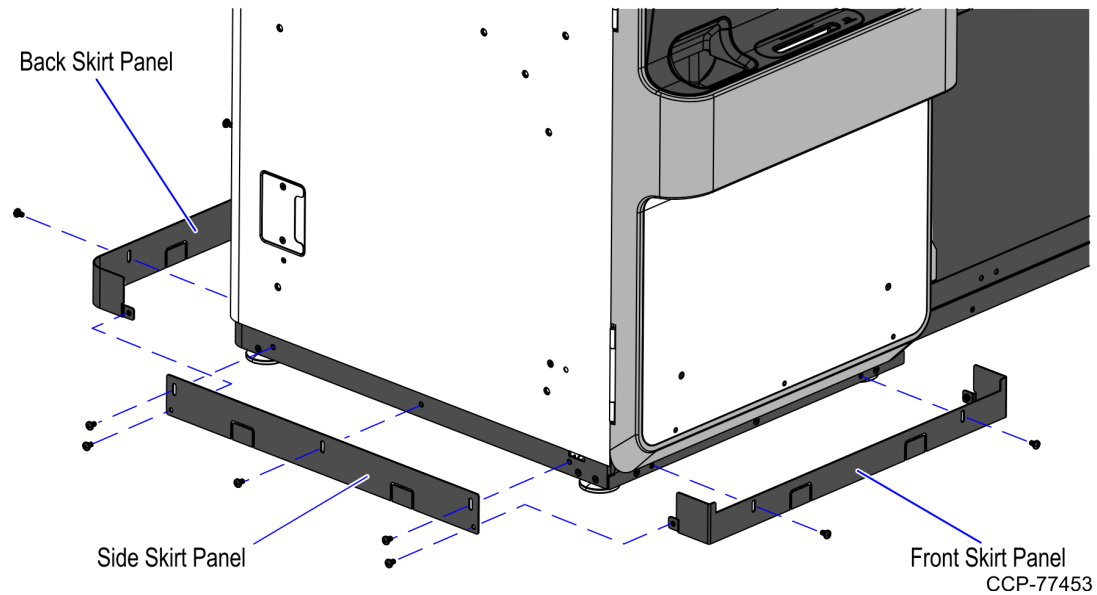


CCP-77466

13. If not already installed, install the skirt panels on the bottom of the Core.



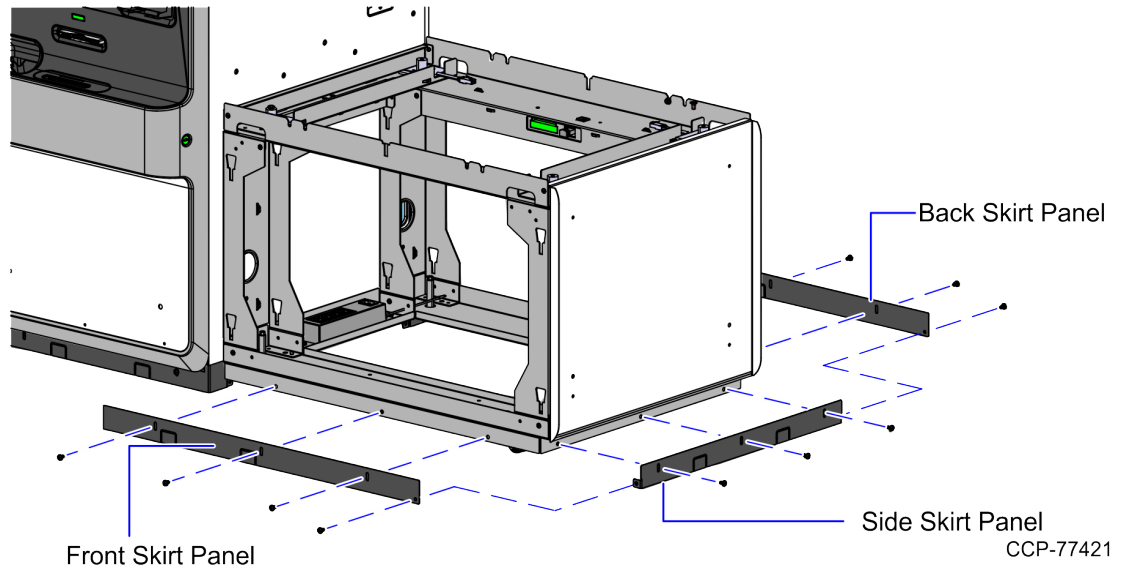
Note: The front and back skirt panels of the Core must be installed before the side skirt panel. Use two screws for each of the front and back panels and five screws for the side panel.



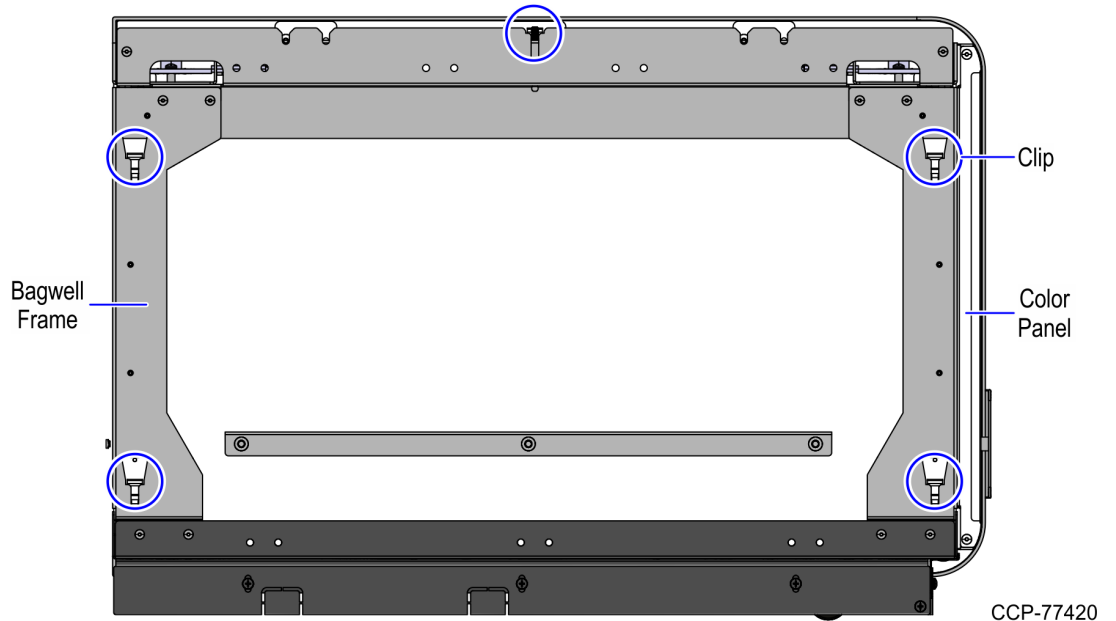
14. Install the skirt panels on the bottom of the Bagwell using eleven (11) screws.



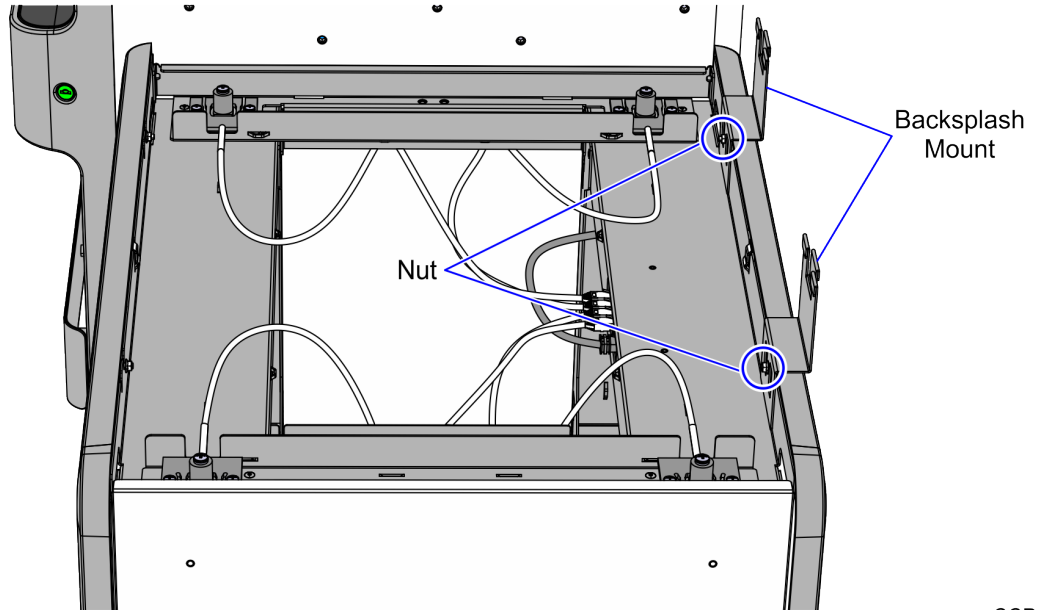
Note: The side skirt panel of the Bagwell must be installed before the front and back skirt panels.



15. Reinstall the front and back color panels of the Bagwell by sliding down each panel until it clips into place.



- Secure both color panels and two (2) Backsplash Mounts to the frame with four (4) nuts, as shown in the image below.

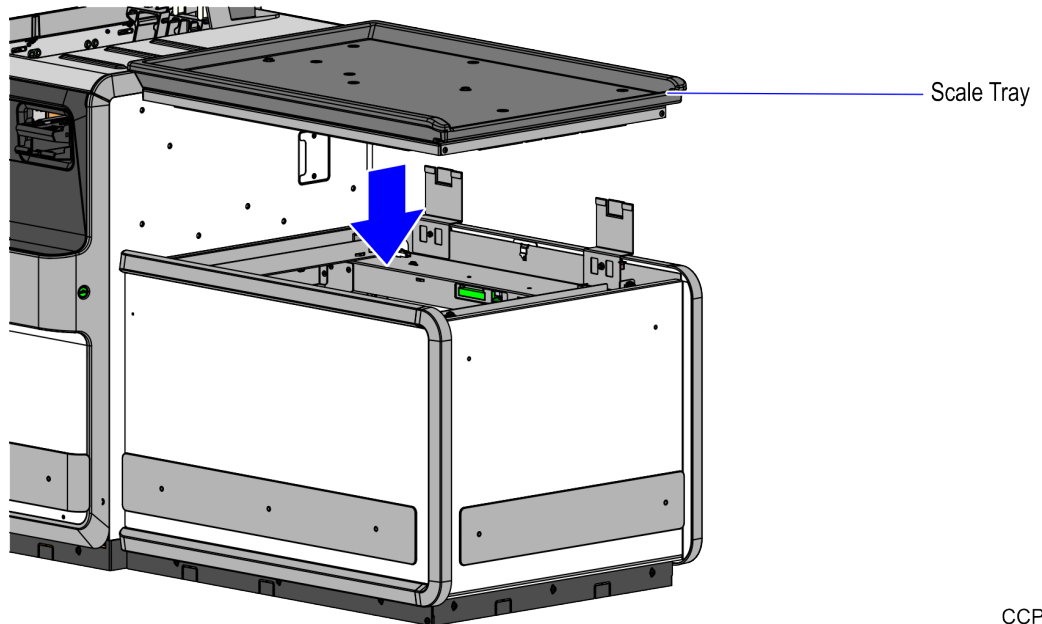


CCP-77419

- Reinstall the Scale Tray.

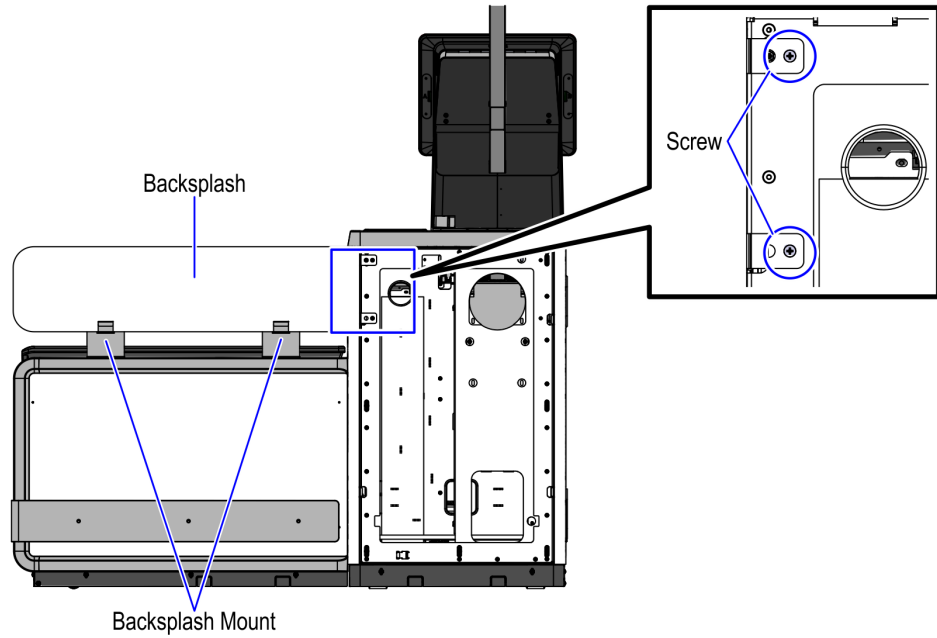


Note: Ensure that the Scale Tray is placed on its correct orientation by placing the side with the raised edge along the Core wall. This prevents items on the tray from making contact with the Core wall which can affect the reported weight.



CCP-77425

18. Install the Backsplash.
 - a. Install the Backsplash onto the Mount.
 - b. Secure the Backsplash to the back of the Core using two screws.



CCP-77416

19. Reinstall the back panel of the Core.
20. Level the Checkstand. For more information, refer to *NCR Fastlane SelfServ™ Checkout (7360) Hardware Installation Guide (B005-0000-2377)*.

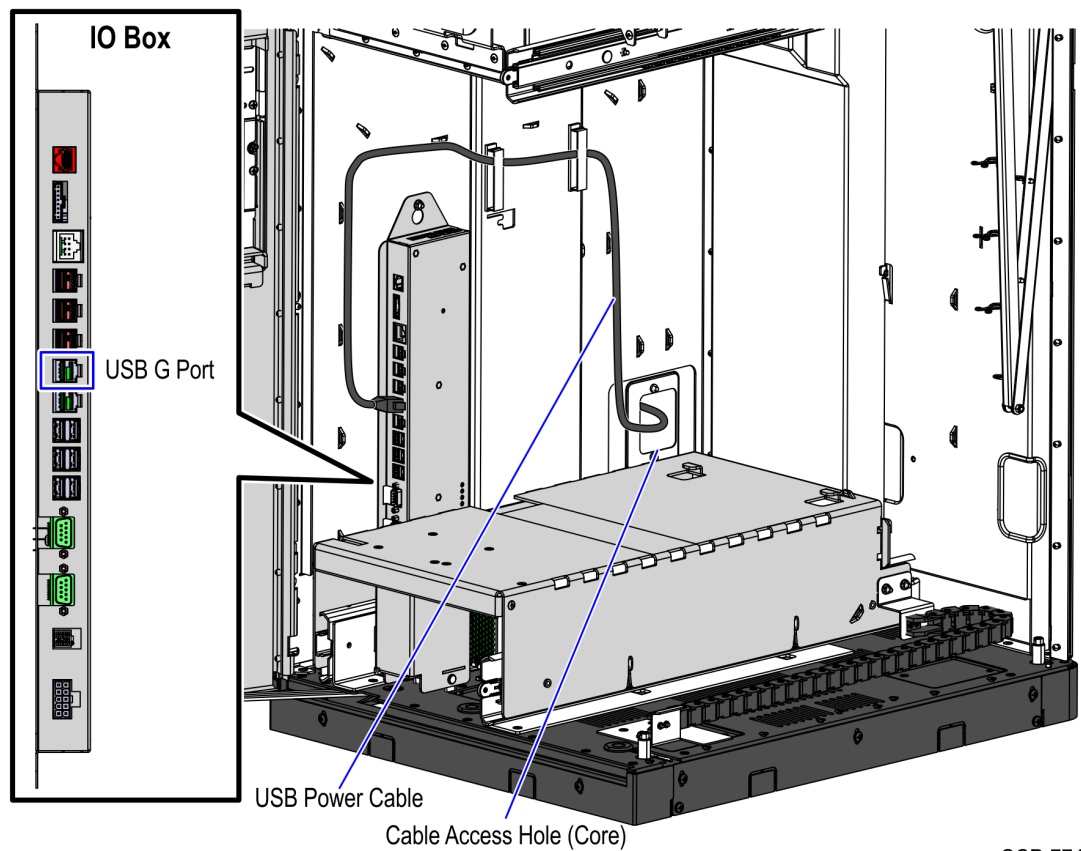
Cable Routing

This section details the guidelines for routing the USB Power Cable to the Scale Controller for the following configurations:

- [Right-hand Configuration](#) below.
- [Left-hand Configuration](#) on page 29.

Right-hand Configuration

1. Connect the USB Power Cable to the USB G Port of the IO Box.
2. Route the cable as shown and out through the cable pass-through hole of the Core.



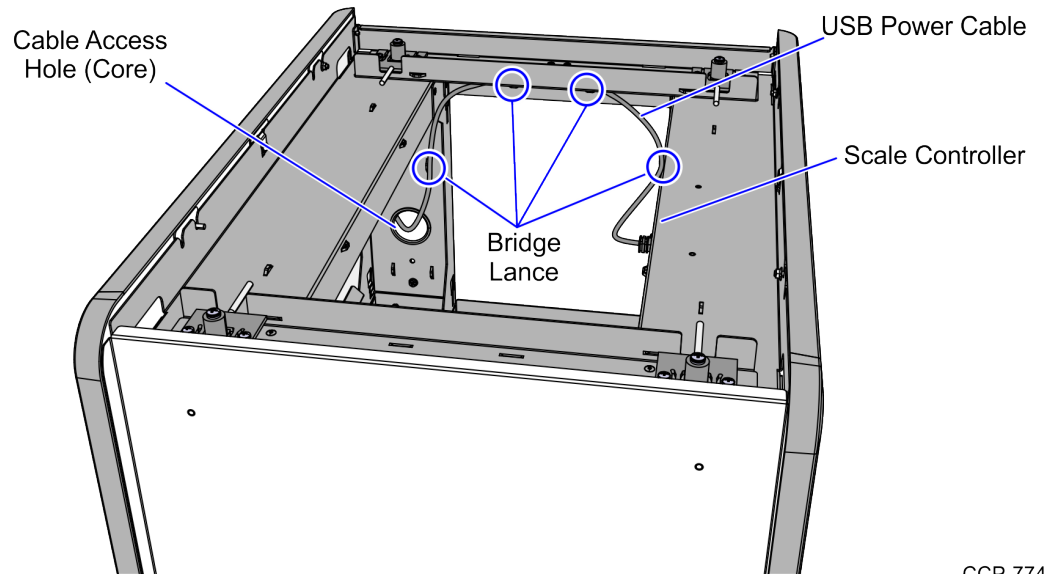
3. From the cable pass-through hole, route the cable as shown and connect it to the Scale Controller.



Note: Use cable ties to secure the cable to the bridge lances.



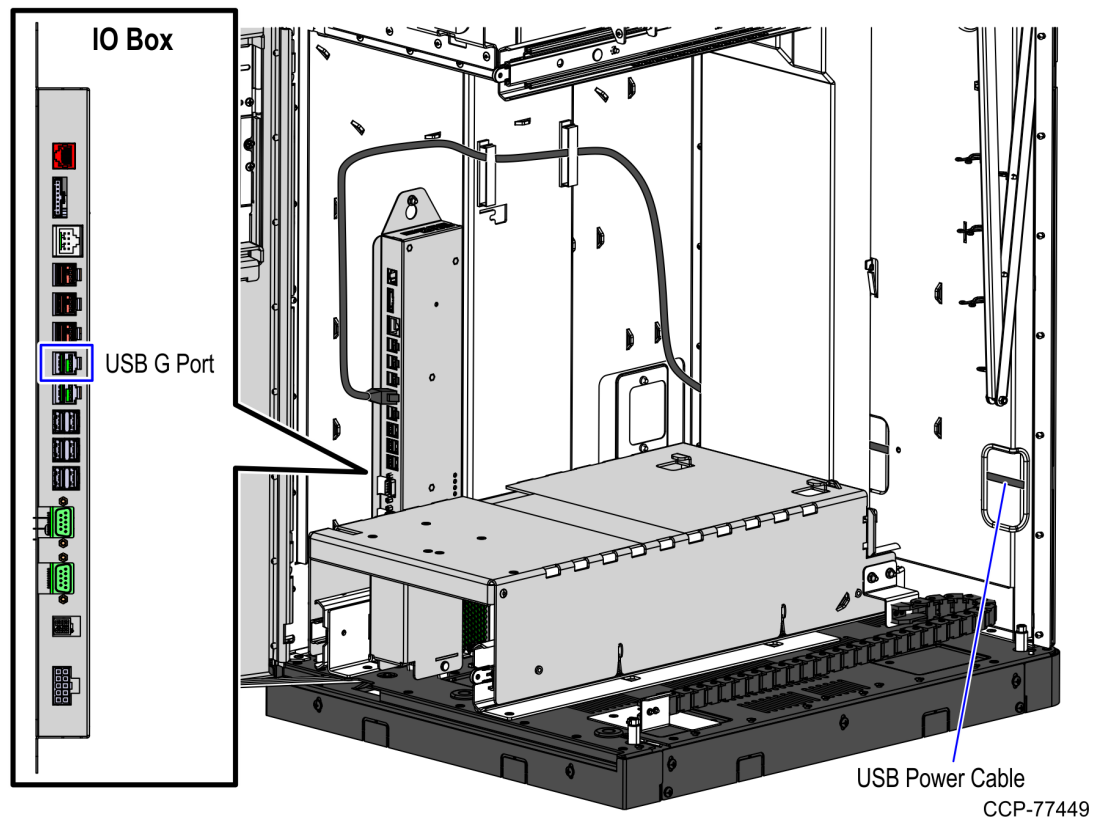
Caution: Bundle excess cable in a zigzag manner.



CCP-77452

Left-hand Configuration

1. Connect the USB Power Cable to the USB G Port of the IO Box.



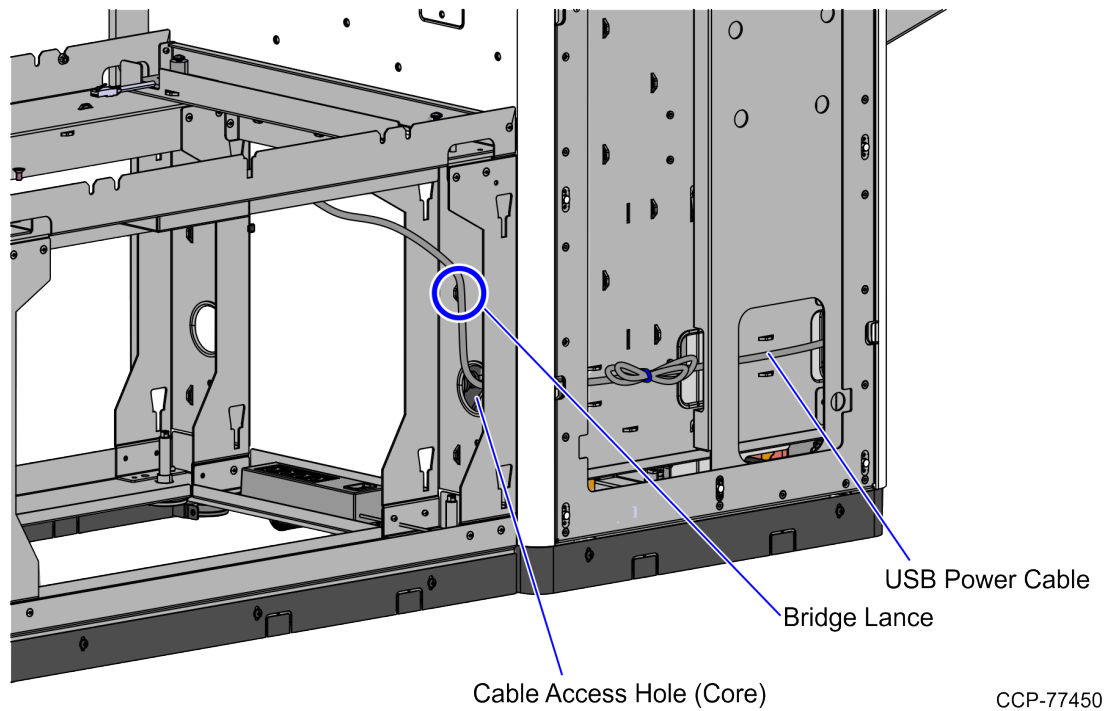
2. Route the cable to the rear of the Core, then out through the cable pass-through hole on the right side of the Core.



Note: Use a cable tie to secure the cable to the bridge lance.



Caution: Bundle excess cable in a zigzag manner, as shown in the image below.

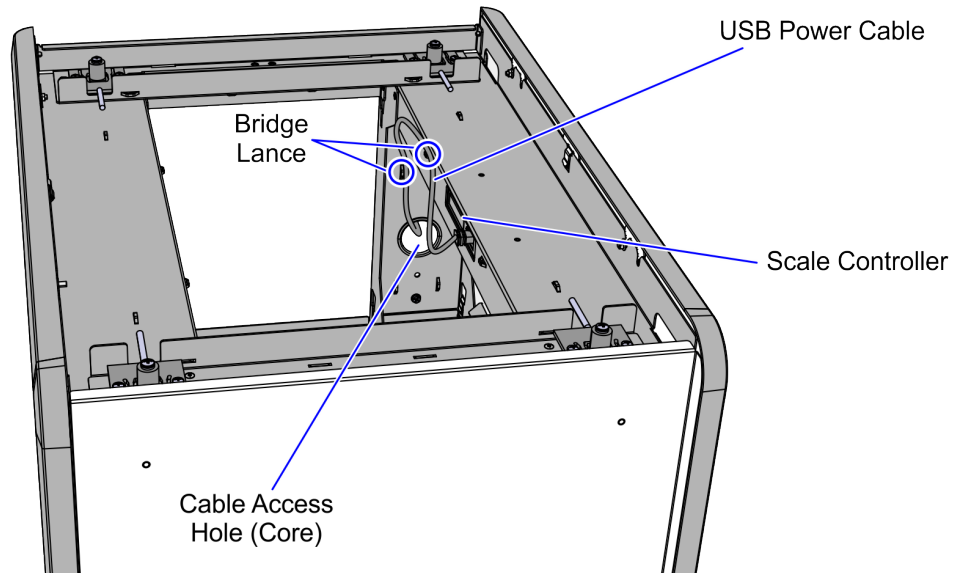


CCP-77450

3. Route the cable and connect it to the Scale Controller, as shown in the image below.



Note: Use cable ties to secure the cable to the bridge lances.



CCP-77451

Changing Bagwell Orientation

To change the Bagwell orientation, follow these steps:

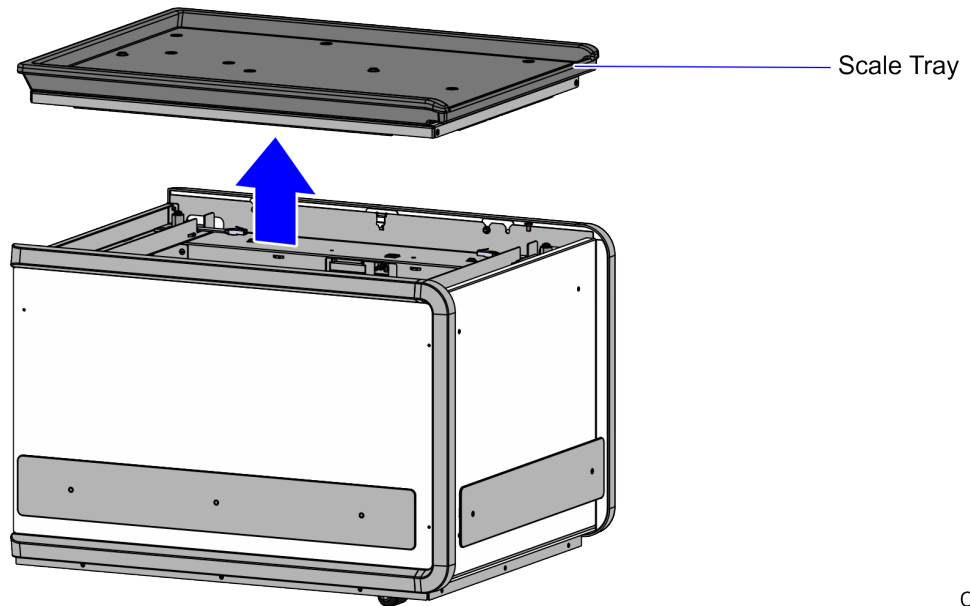


Note: All Bagwell Upgrade Kits are preconfigured in the Left-hand (LH) orientation.

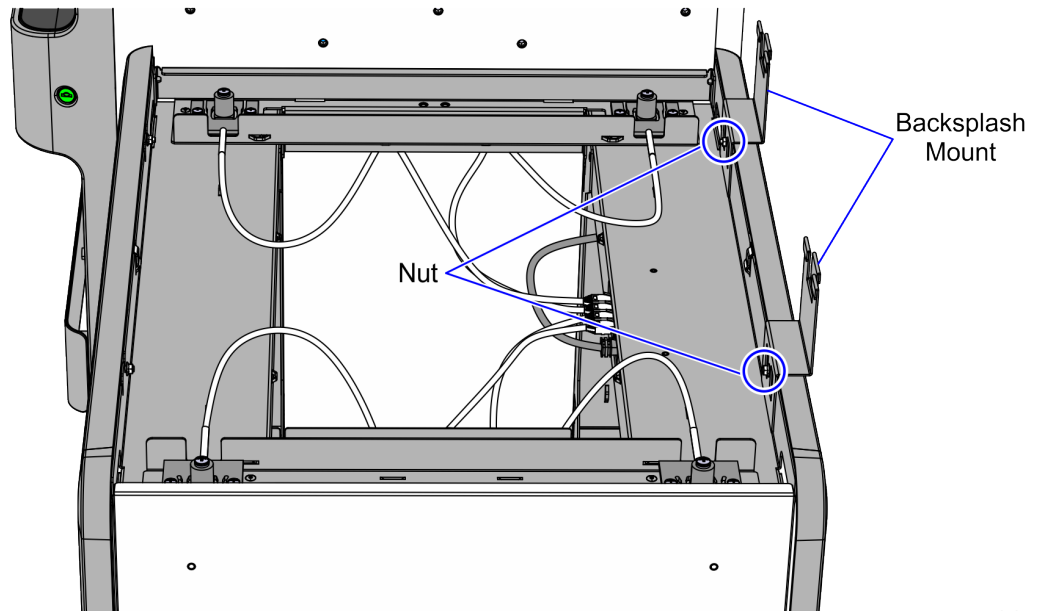


Note: If changing the Bagwell orientation (Left-Hand or Right-Hand), ensure that the orientation is changed before installing the new Bagwell to the Core.

1. Lift and remove the Scale Tray from the Bagwell..

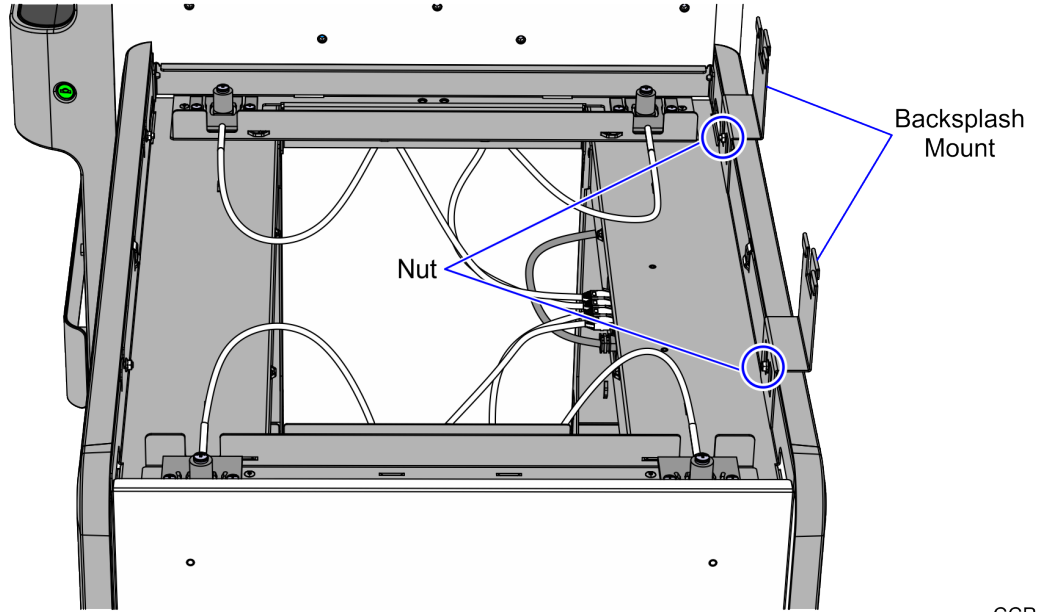


2. Remove four (4) nuts that secure the front and back panels.



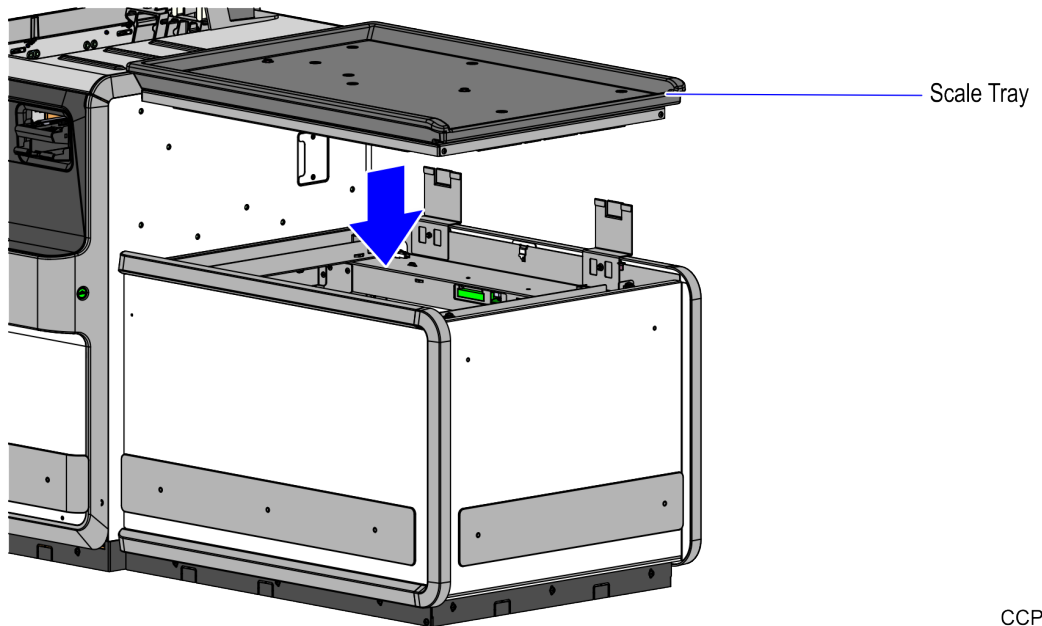
3. Remove the two (2) Backsplash Mounts.

4. Attach the Backsplash Mounts to the opposite side of the Bagwell.
5. Secure both panels and Backsplash Mounts with four (4) nuts.



CCP-77419

6. Reinstall Scale Tray.



CCP-77425