

# Kit Instructions

## GSR50 Note Recycler Notebox (Cashbox) Lock



7360-K105  
Issue A



---

The product described in this document is a licensed product of NCR Corporation.

NCR is a registered trademark of NCR Corporation. NCR FastLane SelfServ™ Checkout is a trademark of NCR Corporation in the United States and/or other countries. Other product names mentioned in this publication may be trademarks or registered trademarks of their respective companies and are hereby acknowledged.

The terms HDMI and HDMI High-Definition Multimedia Interface, and the HDMI Logo are trademarks or registered trademarks of HDMI Licensing LLC in the United States and other countries.

Where creation of derivative works, modifications or copies of this NCR copyrighted documentation is permitted under the terms and conditions of an agreement you have with NCR, NCR's copyright notice must be included.

It is the policy of NCR Corporation (NCR) to improve products as new technology, components, software, and firmware become available. NCR, therefore, reserves the right to change specifications without prior notice.

All features, functions, and operations described herein may not be marketed by NCR in all parts of the world. In some instances, photographs are of equipment prototypes. Software screen images are representative, and in some cases, may not match a customer's installed software exactly. Therefore, before using this document, consult with your NCR representative or NCR office for information that is applicable and current.

To maintain the quality of our publications, we need your comments on the accuracy, clarity, organization, and value of this book. Please use the link below to send your comments.

Email: [FD230036@ncr.com](mailto:FD230036@ncr.com)

Copyright © 2018—2020

By NCR Corporation

Global Headquarters

864 Spring St. NW

Atlanta, GA 30308

United States

All Rights Reserved

## Revision Record

Issue	Date	Remarks
A	May 2020	First Issue

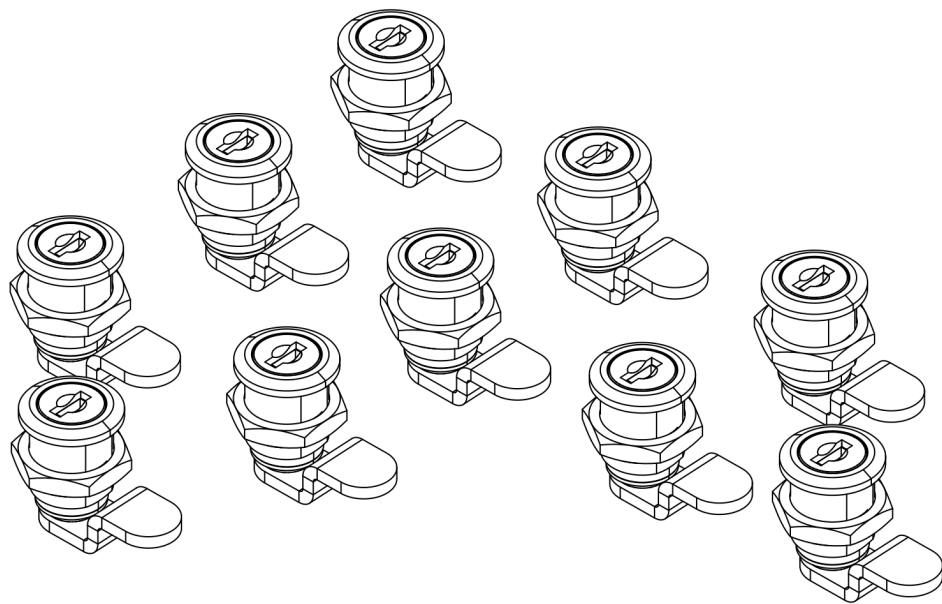
---

# 7360-K105 GSR50 Note Recycler Notebox (Cashbox) Lock

---

This publication provides procedures for installing locks to the GSR50 Note Recycler Notebox (Cashbox).

## Kit Contents



CCP-78660

Part Number	Description
497-0528229	7360-K105 GSR50 Note Recycler Notebox (Cashbox) Locks
006-8627784	Notebox (Cashbox) Mini Lock Assembly Standard Keyed (10 pcs)
* 497-0423108	Instructions-Kit (Reference Sheet)

\* Items marked with an asterisk are not called out on the image.

## Installation Procedure

Installing a lock on the GSR50 Note Recycler Notebox (Cashbox) involves the following procedures:



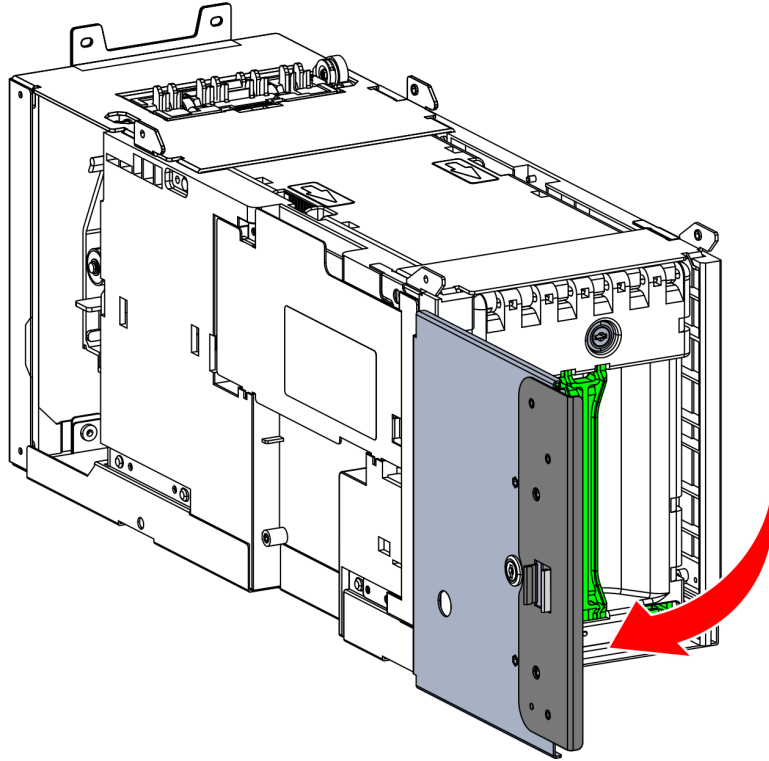
**Note:** It is highly recommended to use screw and nut drivers with torque limiter.

- [Removing GSR50 Notebox \(Cashbox\) Lock](#) on the facing page.
- [Installing GSR50 Notebox \(Cashbox\) Lock](#) on page 8.

## Removing GSR50 Notebox (Cashbox) Lock

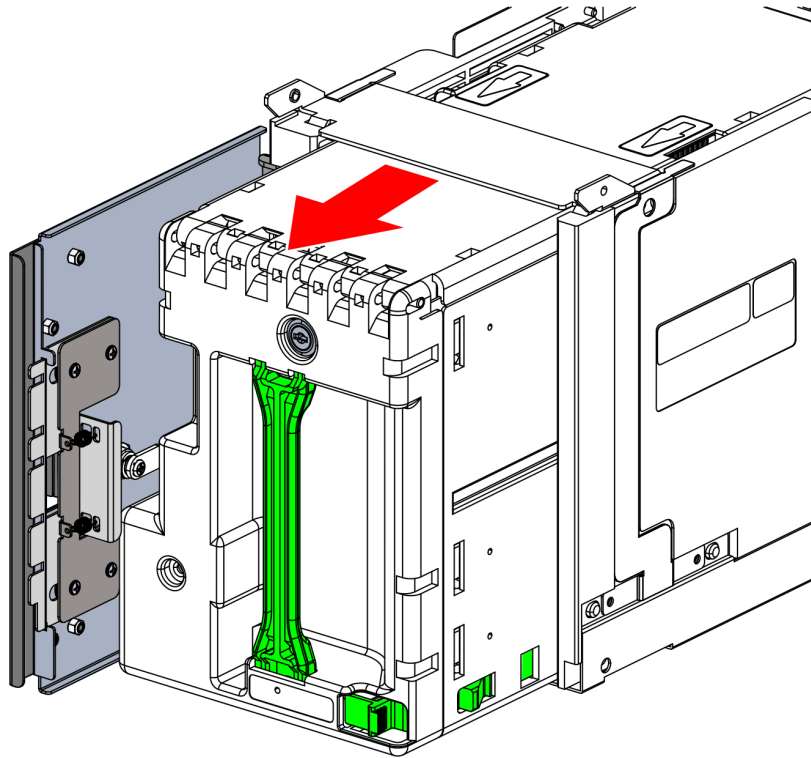
To remove the GSR50 Notebox (Cashbox) Lock, follow these steps:

1. Unlock and open the Notebox (Cashbox) Security Door, as shown in the image below.



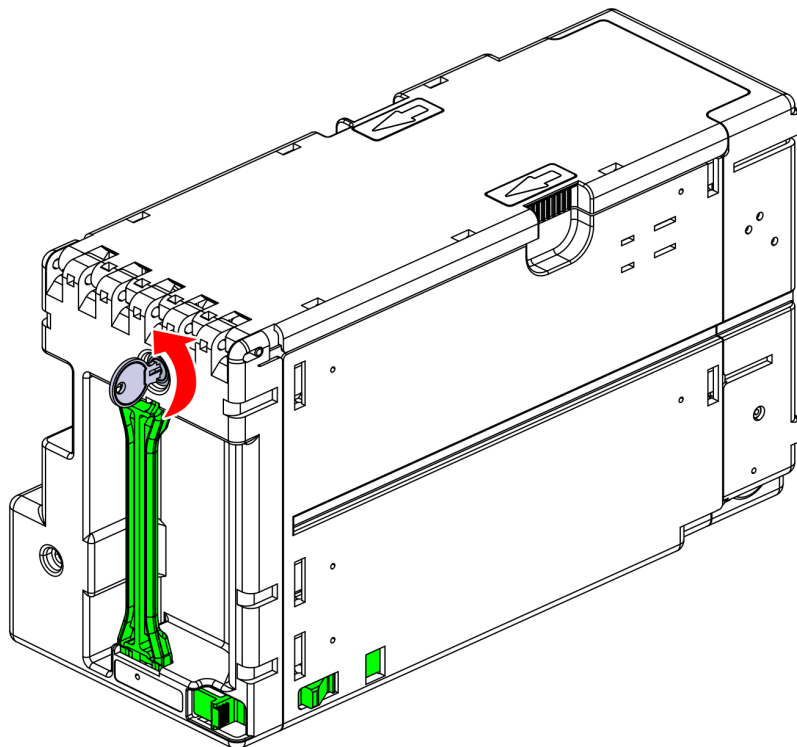
CCP-78654

2. Pull the Notebox (Cashbox) out of the Notebox (Cashbox) frame.



CCP-78655

3. Using a key, unlock the Notebox (Cashbox) by rotating the key counterclockwise.

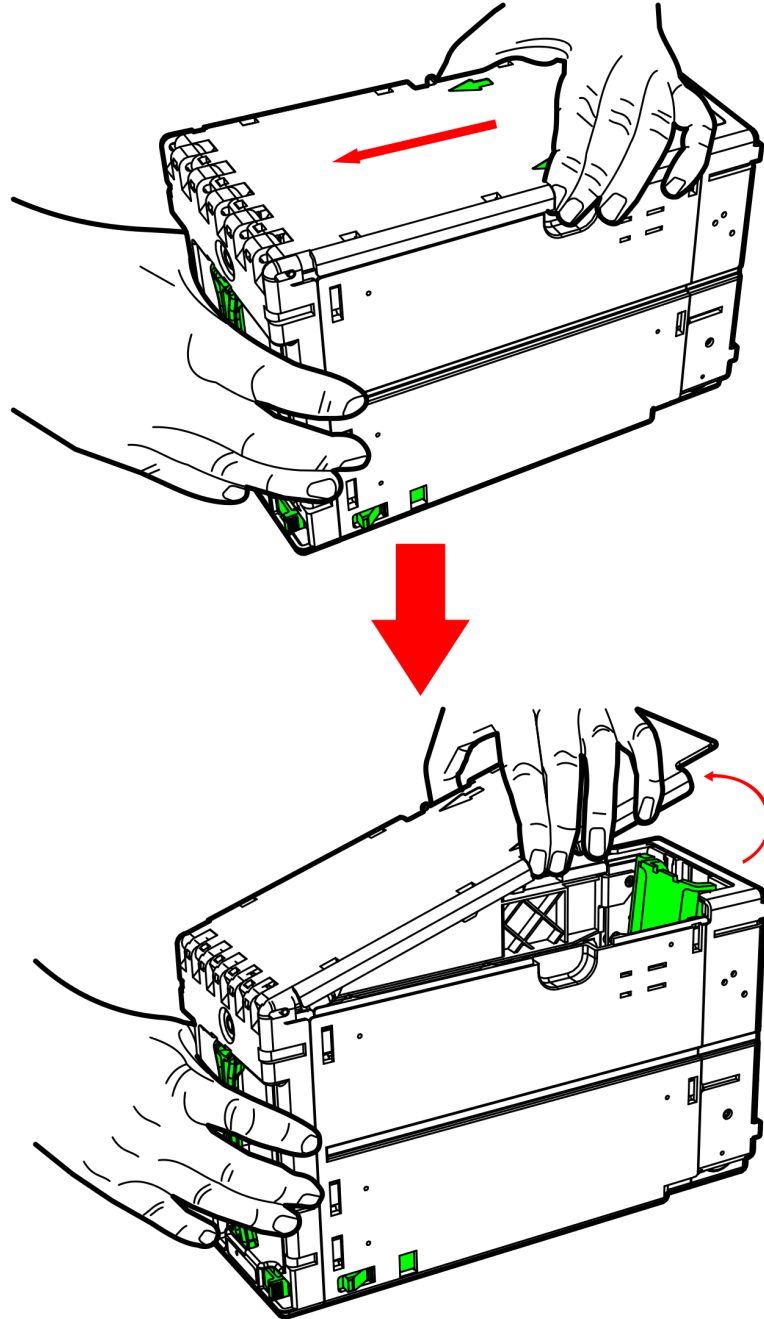


CCP-78661

4. Hold the Notebox/Cashbox Module, slide the lid in the direction of arrows, and then lift it to open the Notebox (Cashbox) Module.

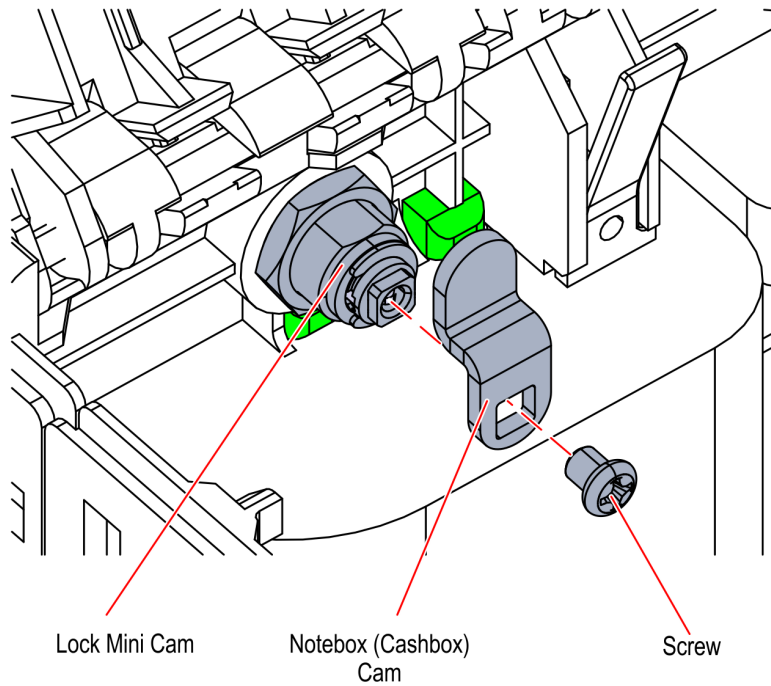


**Note:** Do not let go of the lid. If you slide the lid and then let go, the spring pulls it back in place and you can't lift it.



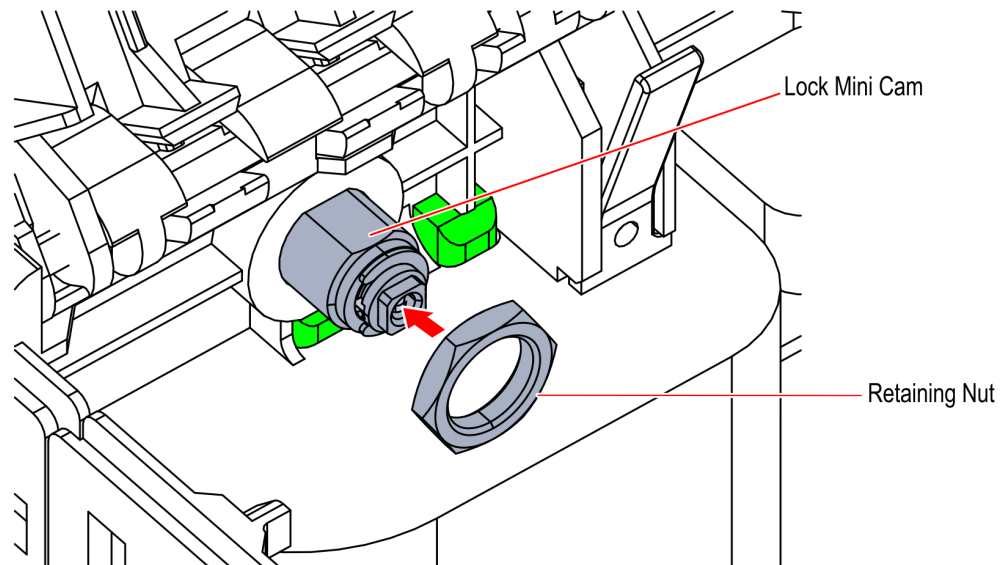


- Detach the screw securing the Notebox (Cashbox) Cam to the Lock Mini Cam.



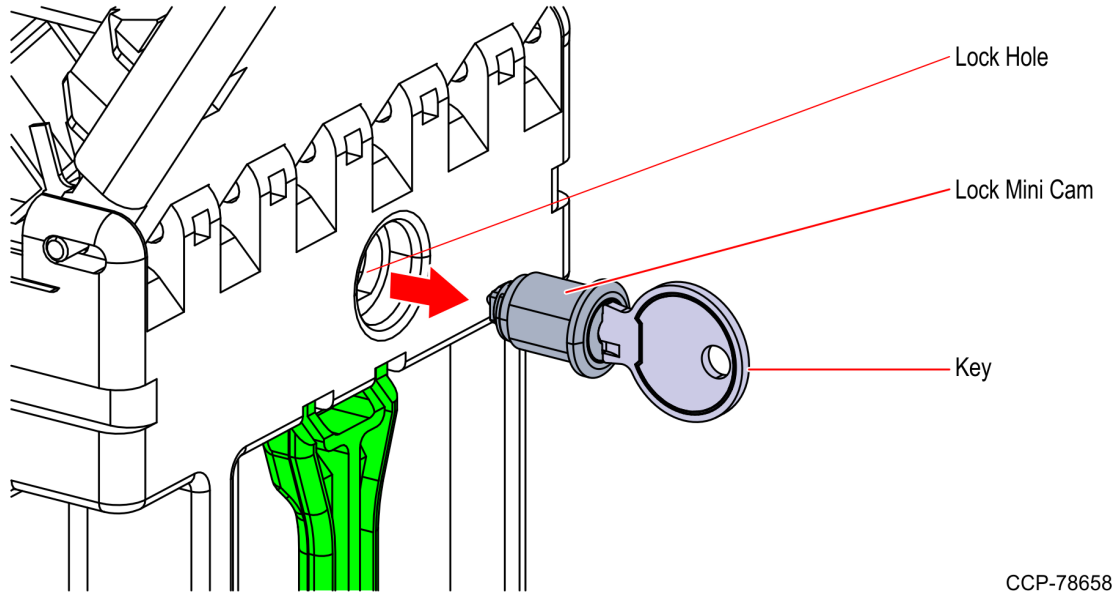
CCP-78656

- Remove the retainer nut securing the Lock Mini Cam to the Notebox (Cashbox), as shown in the image below.



CCP-78657

7. Remove the Lock Mini Cam from the lock hole of the Notebox (Cashbox), as shown in the image below.



CCP-78658

8. Close the Notebox (Cashbox) by pushing down the lid until it snaps in place.

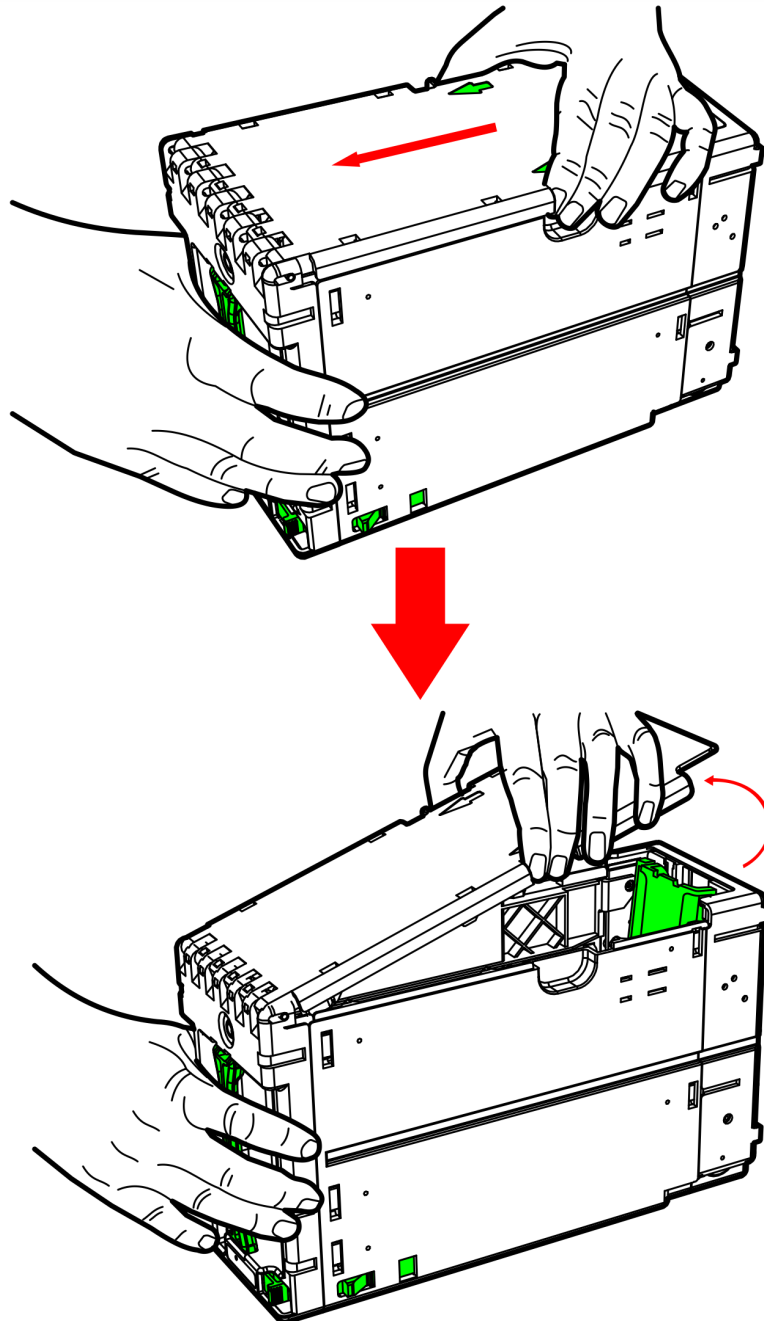
## Installing GSR50 Notebox (Cashbox) Lock

To install the GSR50 Notebox (Cashbox) Lock, follow these steps:

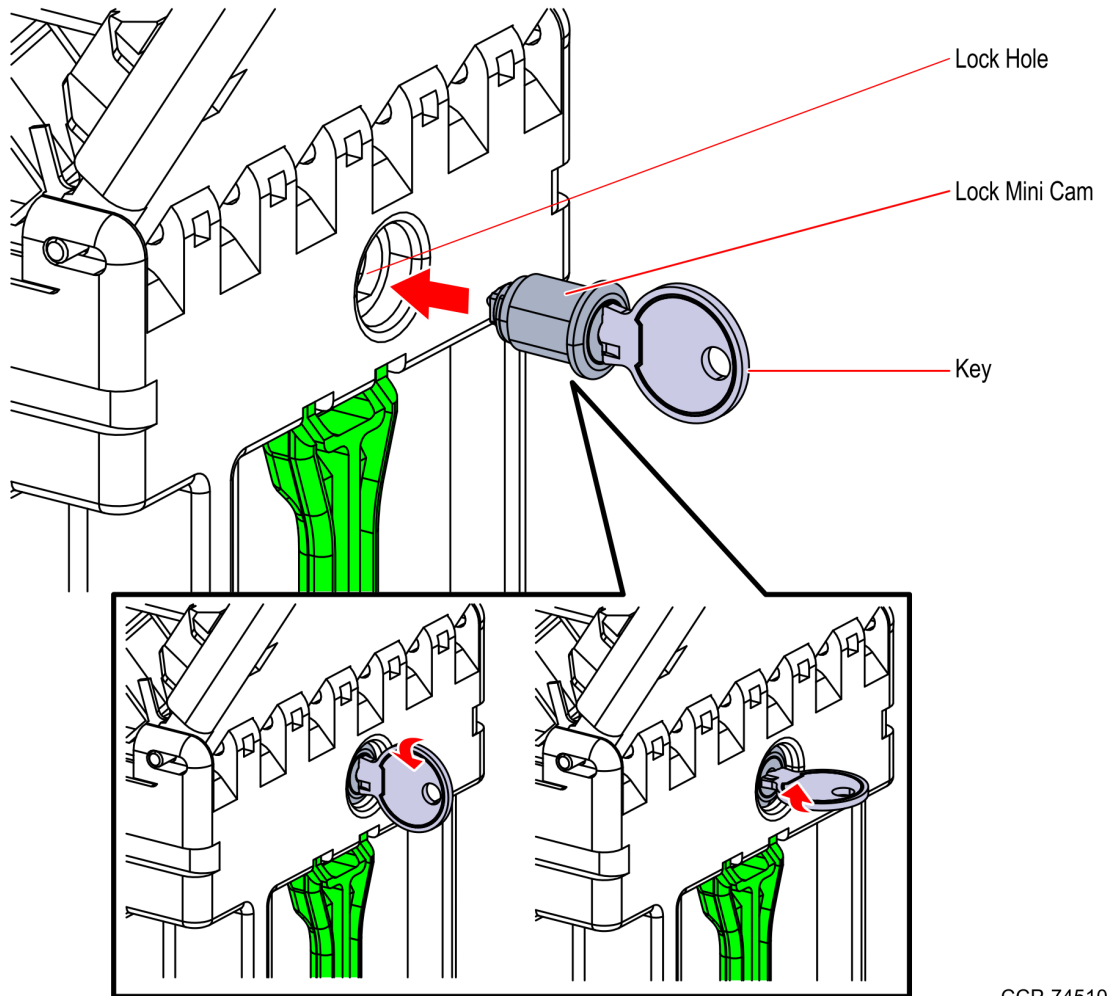
1. Remove the existing Notebox (Cashbox) Lock, if necessary. For more information, refer to [Removing GSR50 Notebox \(Cashbox\) Lock](#) on page 3.
2. Hold the Notebox (Cashbox) Module, slide the lid in the direction of arrows, and then lift it to open the Notebox (Cashbox) Module.



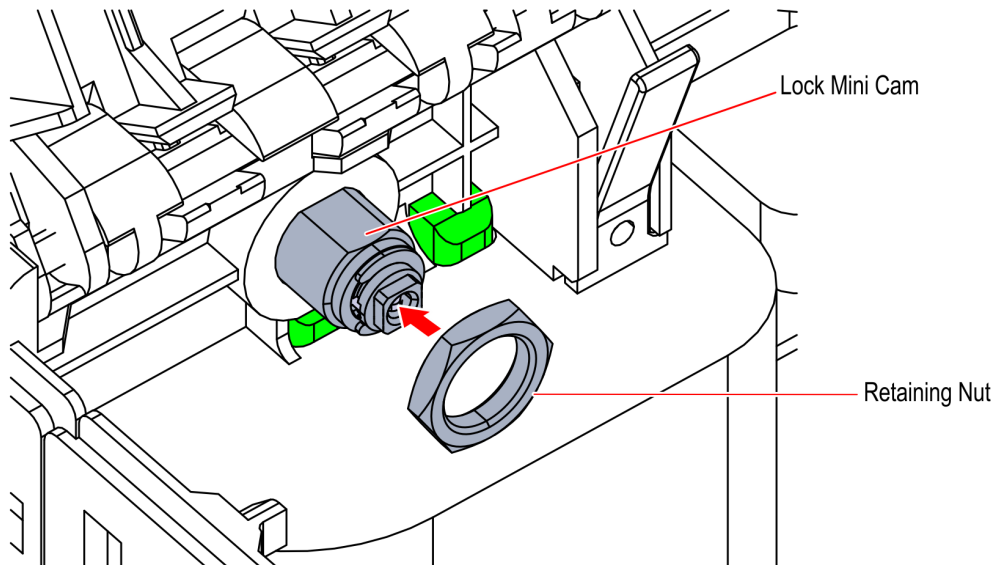
**Note:** Do not let go of the lid. If you slide the lid and then let go, the spring pulls it back in place and you can't lift it.



3. Insert the Lock Mini Cam into the lock hole of the Notebox (Cashbox) using a key. Ensure that the key can rotate to  $\frac{1}{4}$  turn counter clockwise as shown in the image below.

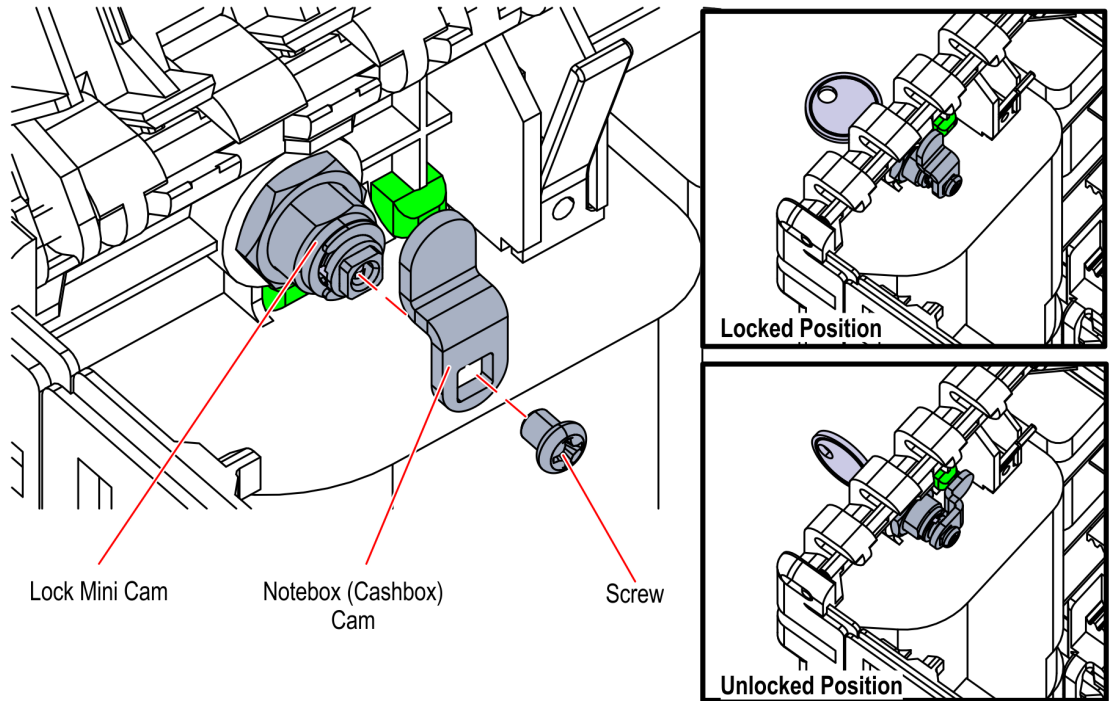


- Secure the Lock Mini Cam using a retainer nut and torque the nut to 4 Nm or 35 in/lbs.



CCP-74520

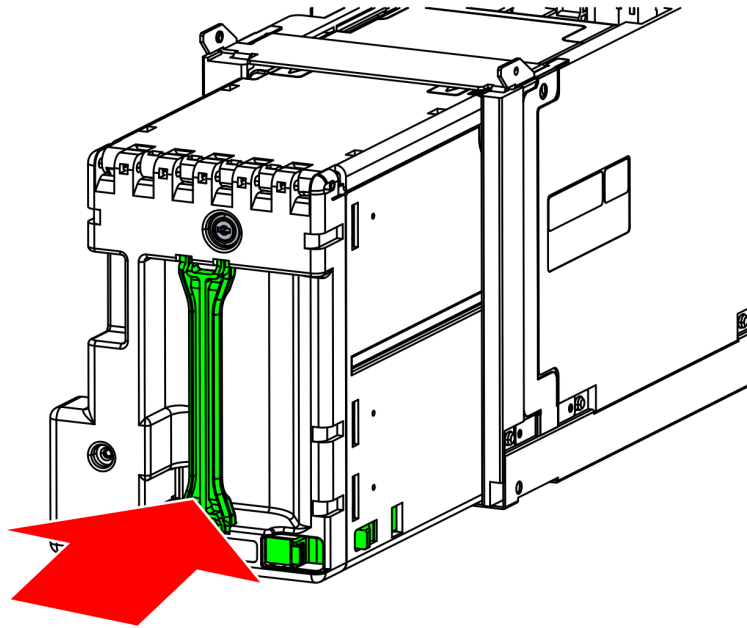
- Attach the Notebox (Cashbox) Cam to the Lock Mini Cam using a screw. Torque the screw to 4 Nm or 35 in/lbs. Note the orientation of the cam in relation to the key position as shown in the image below.



CCP-74521

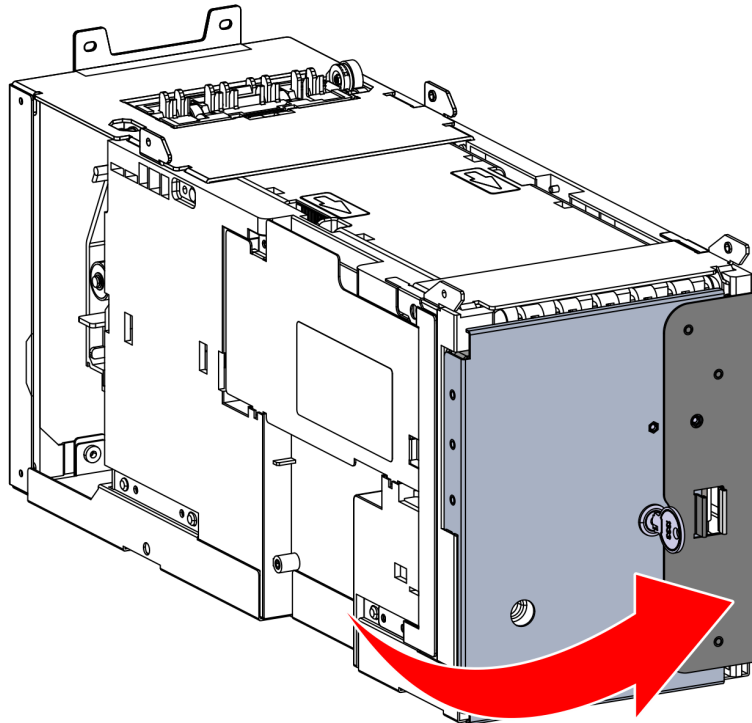
- Close the Notebox (Cashbox) by pushing down the lid until it snaps in place.

7. Insert and then push Notebox (Cashbox) into the frame until it snaps in place.



CCP-74522

8. Close the Notebox (Cashbox) Security Door.



CCP-74530

