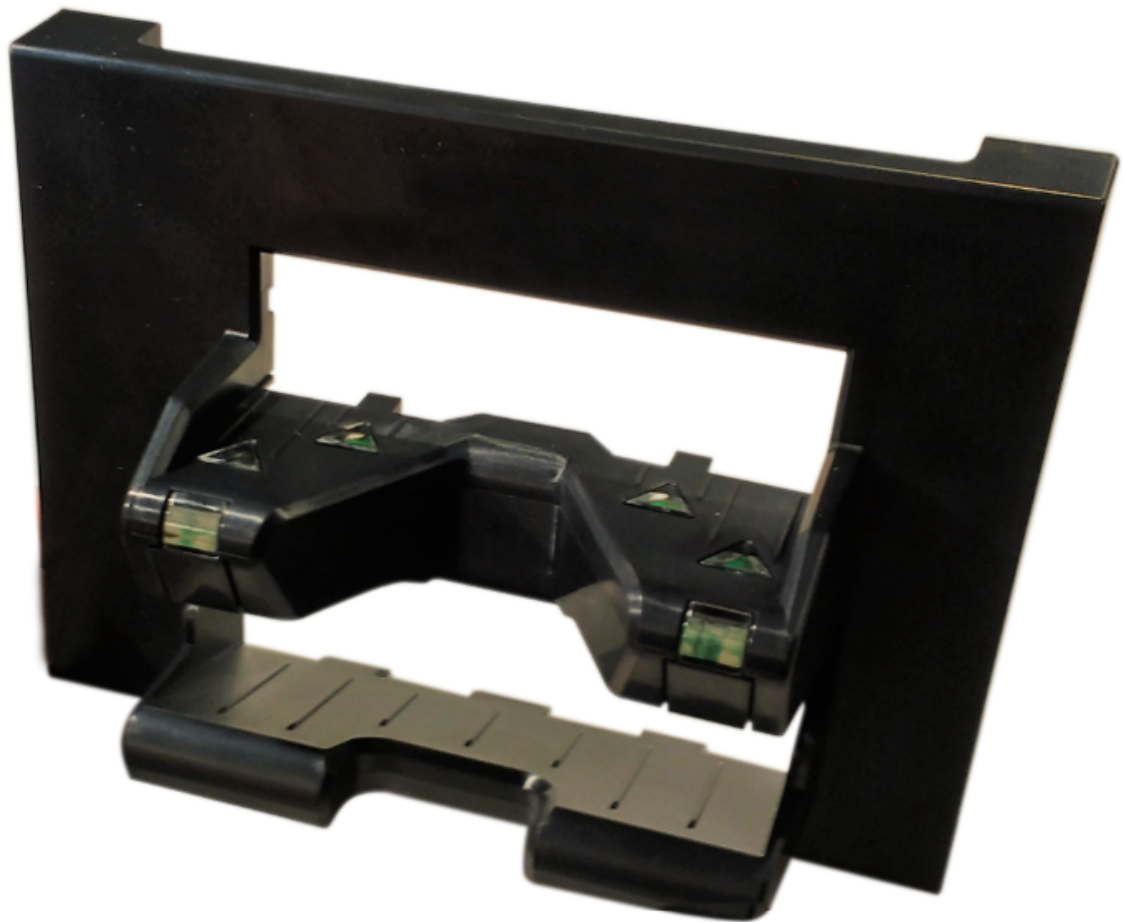


Kit Instructions

GSR50 Note Recycler Top Module (Notched) Bezel



7360-K099
Issue A



The product described in this document is a licensed product of NCR Corporation.

NCR is a registered trademark of NCR Corporation. NCR FastLane SelfServ™ Checkout is a trademark of NCR Corporation in the United States and/or other countries. Other product names mentioned in this publication may be trademarks or registered trademarks of their respective companies and are hereby acknowledged.

The terms HDMI and HDMI High-Definition Multimedia Interface, and the HDMI Logo are trademarks or registered trademarks of HDMI Licensing LLC in the United States and other countries.

Where creation of derivative works, modifications or copies of this NCR copyrighted documentation is permitted under the terms and conditions of an agreement you have with NCR, NCR's copyright notice must be included.

It is the policy of NCR Corporation (NCR) to improve products as new technology, components, software, and firmware become available. NCR, therefore, reserves the right to change specifications without prior notice.

All features, functions, and operations described herein may not be marketed by NCR in all parts of the world. In some instances, photographs are of equipment prototypes. Software screen images are representative, and in some cases, may not match a customer's installed software exactly. Therefore, before using this document, consult with your NCR representative or NCR office for information that is applicable and current.

To maintain the quality of our publications, we need your comments on the accuracy, clarity, organization, and value of this book. Please use the link below to send your comments.

Email: FD230036@ncr.com

Copyright © 2019
By NCR Corporation
864 Spring St. NW
Atlanta, GA 30308
United States
All Rights Reserved

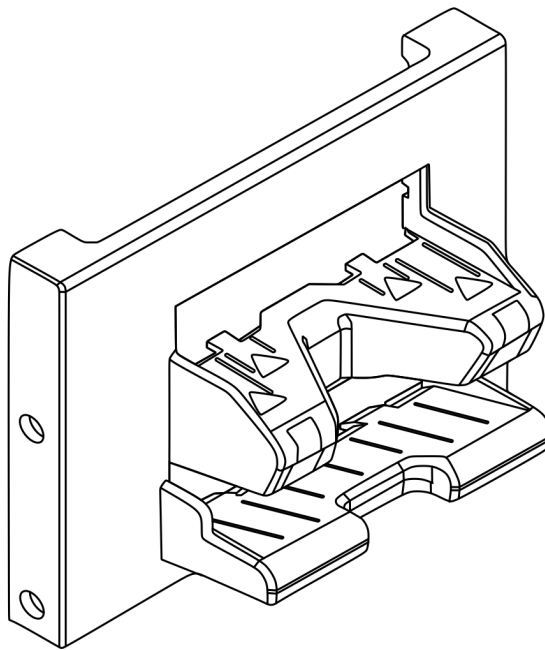
Revision Record

Issue	Date	Remarks
A	Sep 2019	<ul style="list-style-type: none">• First Issue• 50DR36721

GSR50 Note Recycler Top Module (Notched) Bezel

This publication provides procedures for installing the Top Module (Notched) Bezel to the GSR50 Note Recycler (Fujitsu).

Kit Contents



CCP-77530

Part Number	Description
497-0526546	7360-K099 GSR50 Notched Bezel
497-0524593	GSR50 Note Recycler Notched Front Bezel
* 497-0423108	Instructions Kit (Reference Sheet)

* Items marked with an asterisk are not called out on the image.

Installation Procedures

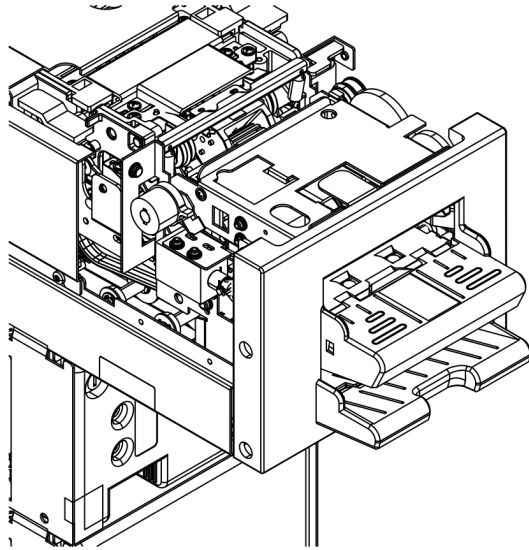
Installing the Top Module (Notched) Bezel to the GSR50 Note Recycler (Fujitsu) involves the following procedures:

- [Removing Top Module \(Notched/Flat-front\) Bezel](#) on the facing page.
- [Removing Note Entry/Exit Slots LED PCB \(Flat-front Top Module Bezel\)](#) on page 5.
- [Installing Top Module \(Notched\) Bezel](#) on page 10.

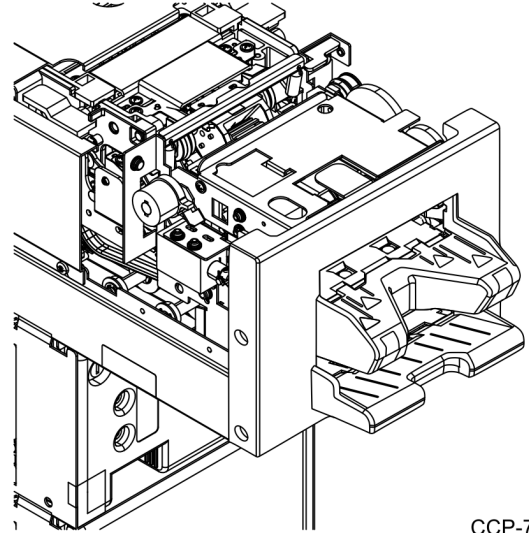
Removing Top Module (Notched/Flat-front) Bezel

This procedure provides steps about how to remove either a Notched or Flat-front Bezel from the GSR50 Note Recycler Top Module.

Flat-front Top Module Bezel



Notched Top Module Bezel



CCP-76818

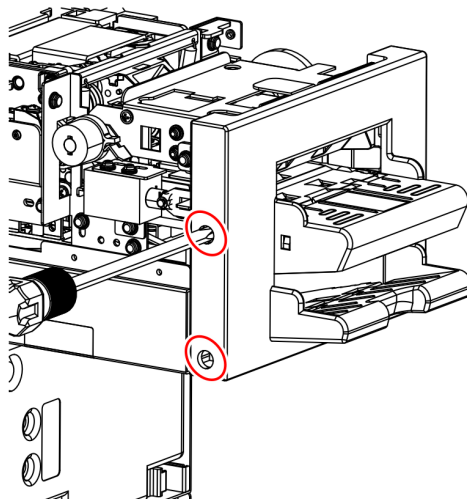
To remove either a Notched or Flat-front Top Module Bezel, follow these steps:

1. Access the GSR50 Note Recycler.
2. Remove two screws from each side of the existing Top Module Bezel. The image below shows a Flat-front Bezel only as an example.

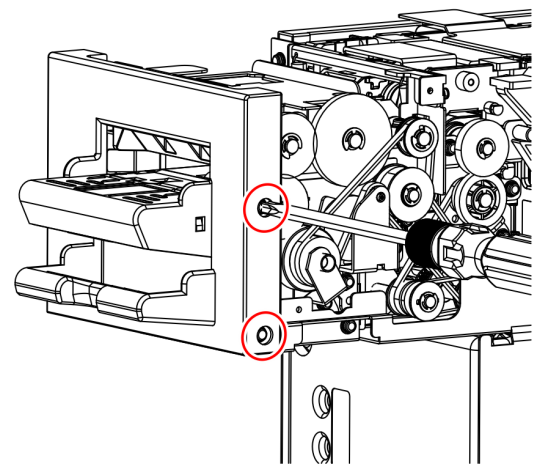


Note: Use a magnetic screwdriver to prevent screws from dropping inside the Top Module.

Left Side



Right Side



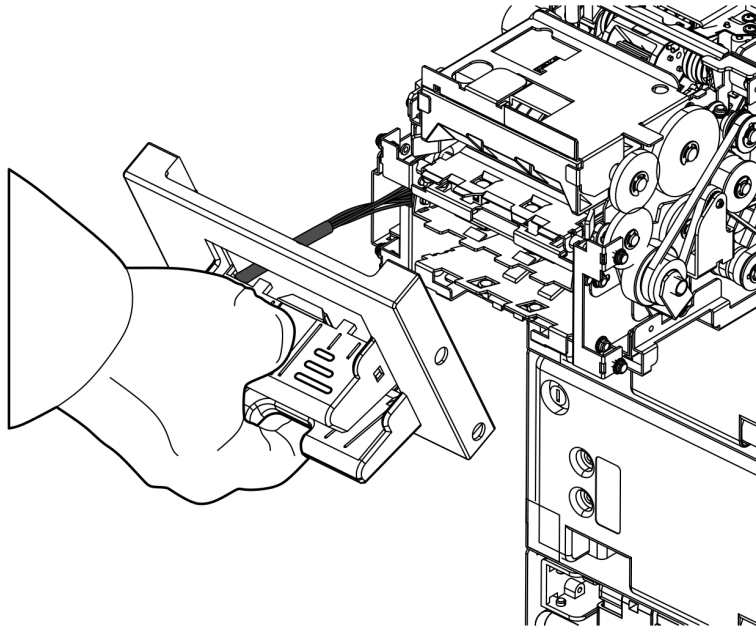
CCP-76805

3. Gently pull the Bezel away from the Top Module.



Caution: Ensure that proper care is taken to avoid damaging the Bezel PCB Connector and harness during the replacement procedures.

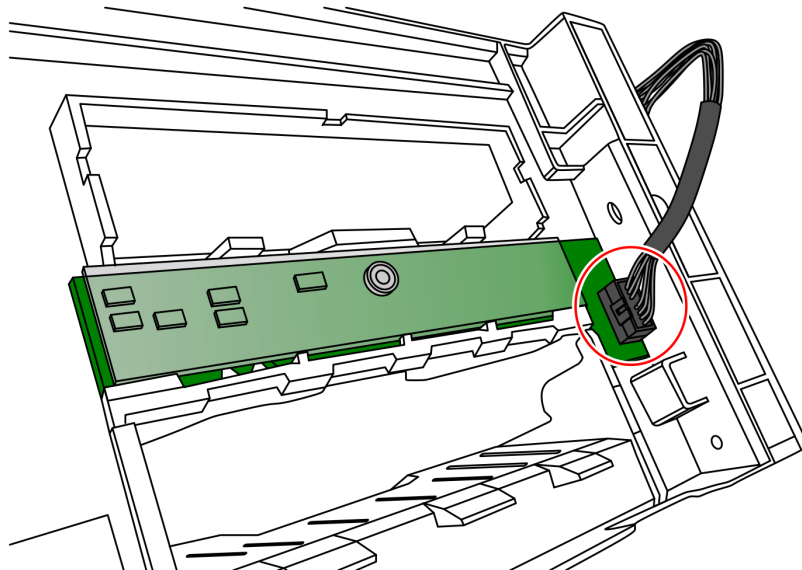
Example: The image below shows a Flat-front Bezel only as an example.



CCP-76810

4. Do either of the following:

- If the bezel is a Flat-Front Bezel, remove the Note Entry/Exit Slots LEDs (Top Module Bezel) PCB. For more information, refer to [Removing Note Entry/Exit Slots LED PCB \(Flat-front Top Module Bezel\)](#) on the facing page.
- If the bezel is a Notched Bezel, disconnect the connector from the PCB, as shown in the image below.



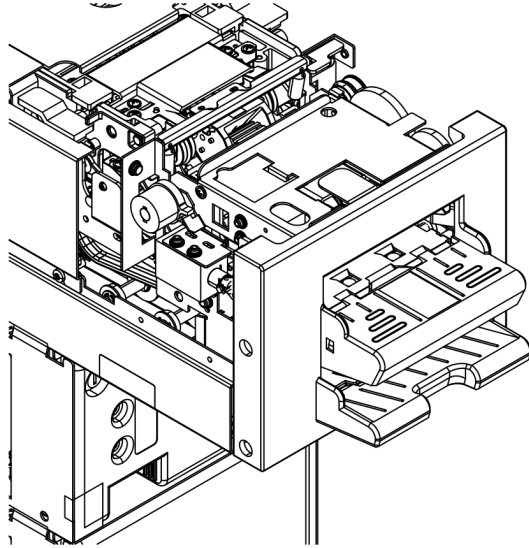
CCP-76806

Removing Note Entry/Exit Slots LED PCB (Flat-front Top Module Bezel)

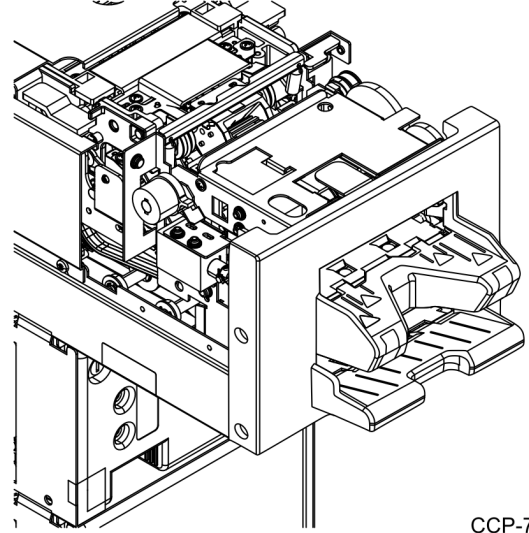


Note: This procedure is only for replacing the Flat-front Bezel of the GSR50 Note Recycler Top Module with a Notched Bezel.

Flat-front Top Module Bezel



Notched Top Module Bezel



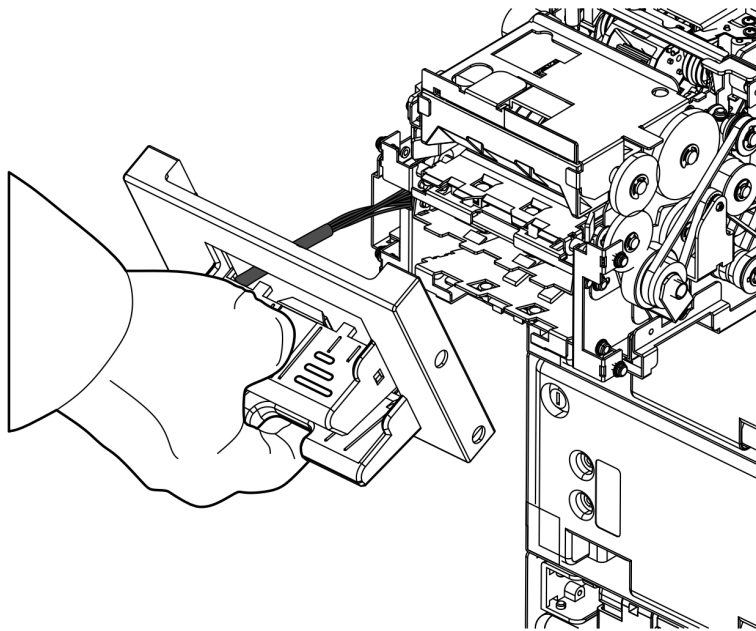
CCP-76818

To remove the Note Entry/Exit Slots LED PCB (Flat-front Bezel) from the GSR50 Note Recycler Top Module, follow these steps:

1. Remove the Flat-front Bezel from the GSR50 Note Recycler Top Module. For more information, refer to [Removing Top Module \(Notched/Flat-front\) Bezel](#) on page 3.



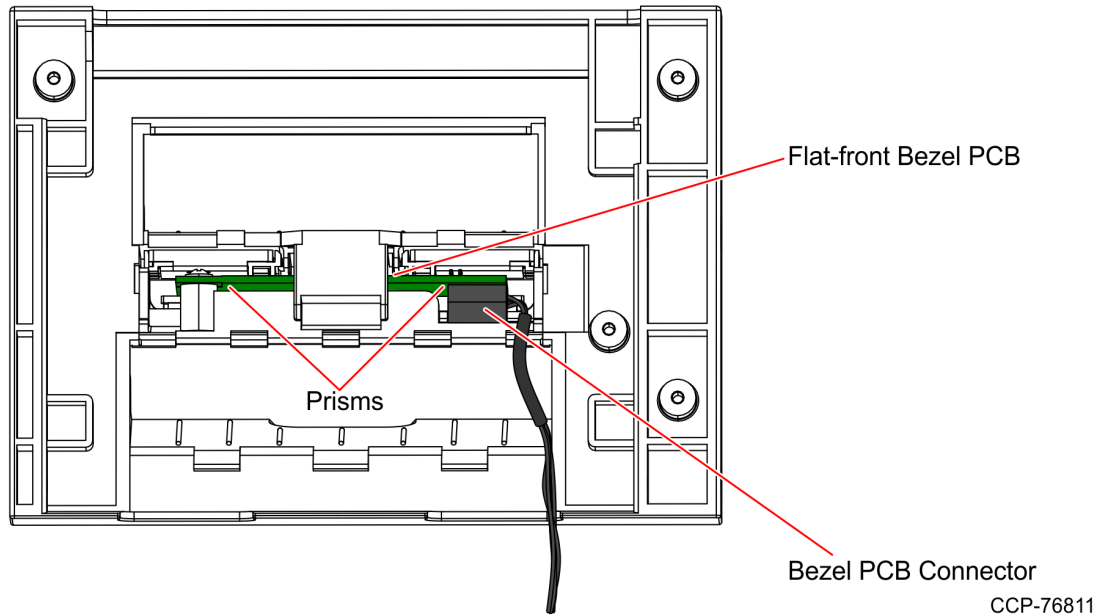
Caution: Ensure that proper care is taken to avoid damaging the Bezel PCB Connector and harness during the replacement procedures.



2. From the back of the Bezel, remove the LED PCB assembly by doing the following:

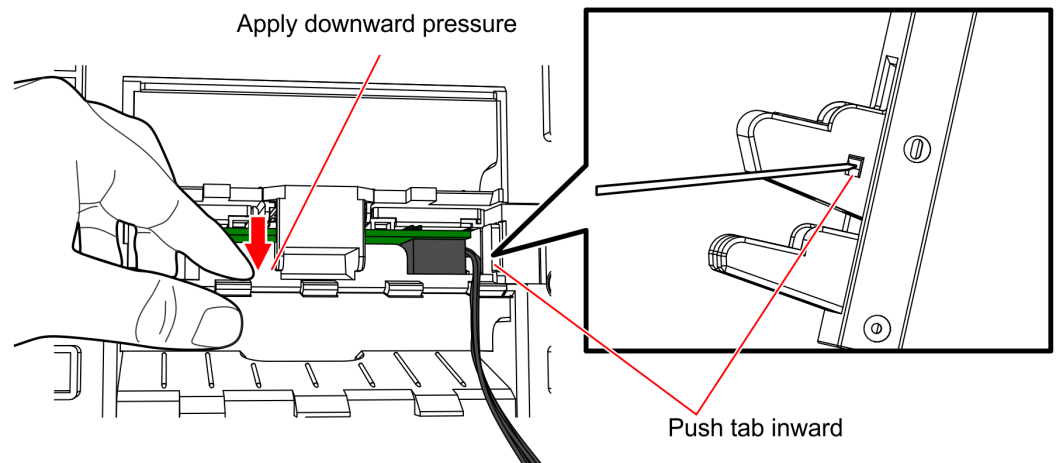


Caution: Ensure that proper care is taken to avoid damaging the Bezel PCB Connector and harness during the replacement procedures.



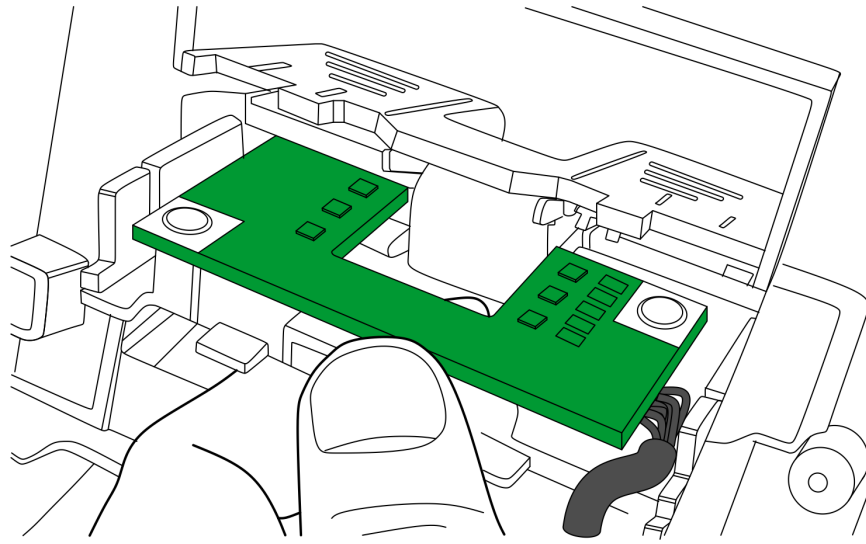
Note: Ensure that the Bezel is oriented as shown in the image above to avoid the Prisms from falling out.

- a. **Apply downward pressure** to remove the LED PCB assembly. At the same time, **push a tab on the side of the Bezel inward** using a pointed object, as shown in the image below.



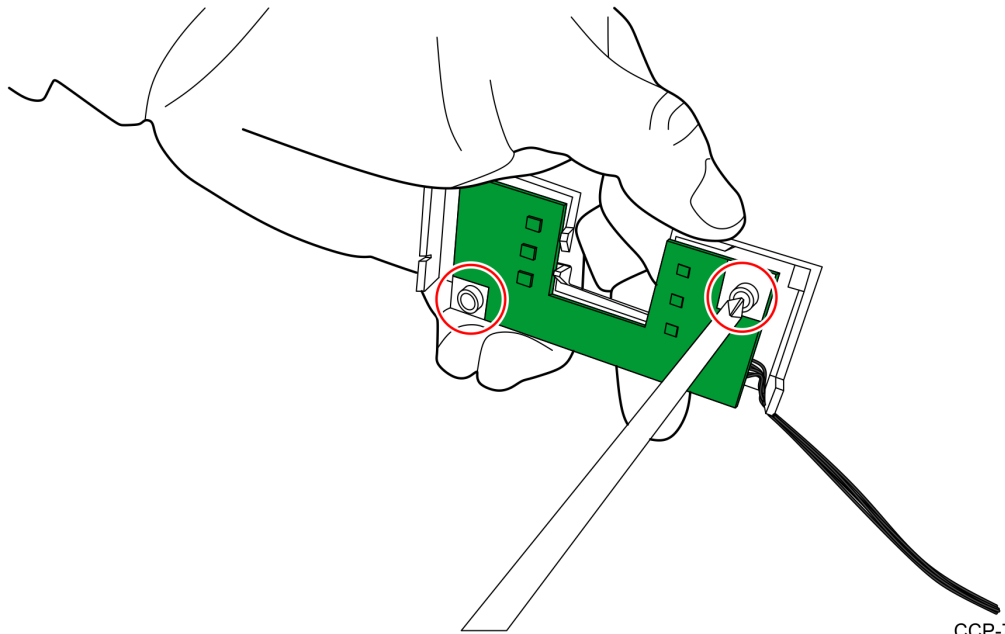
- b. Repeat on the other side.

- c. Pull out the PCB assembly from the back the Bezel.



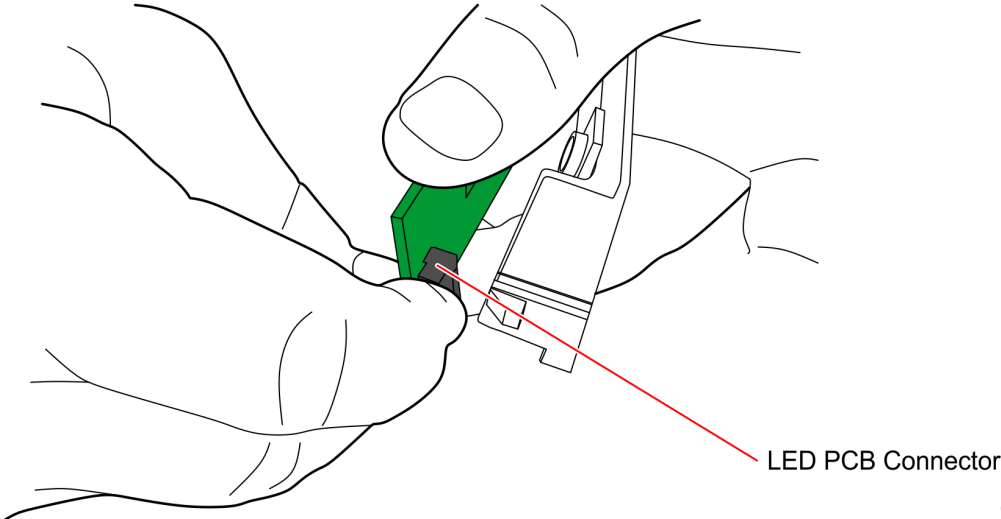
CCP-76819

- d. Remove two (2) screws securing the PCB to the bracket, as shown in the image below.



CCP-76813

3. Disconnect the connector from the PCB.



CCP-76814

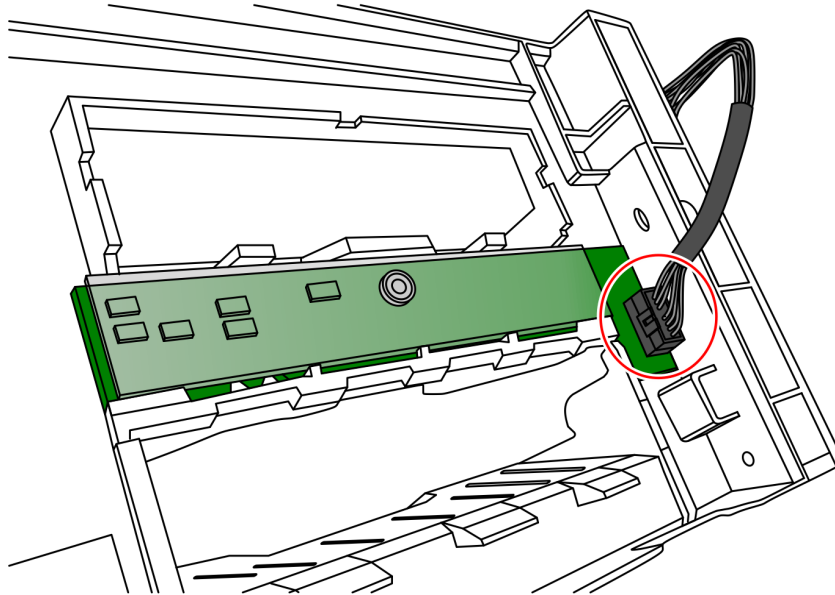
Installing Top Module (Notched) Bezel

To install the Top Module (Notched) Bezel, follow these steps:



Note: This procedure provides steps about how to install a Notched Bezel on the GSR50 Note Recycler Top Module.

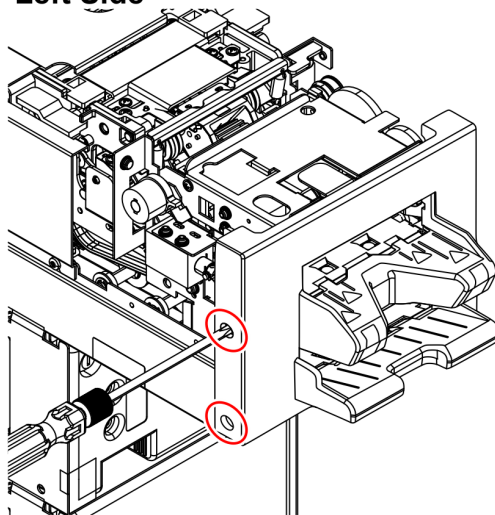
1. Attach the connector to the Note Entry/Exit Slots LED (Bezel) PCB, as shown in the image below.



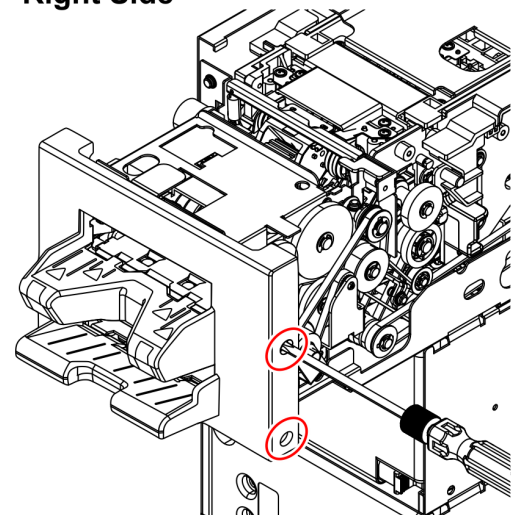
CCP-76806

2. Place the Bezel over the front of the GSR50 Note Recycler Top Module and secure using two (2) screws on each side of the Bezel, as shown in the image below.

Left Side

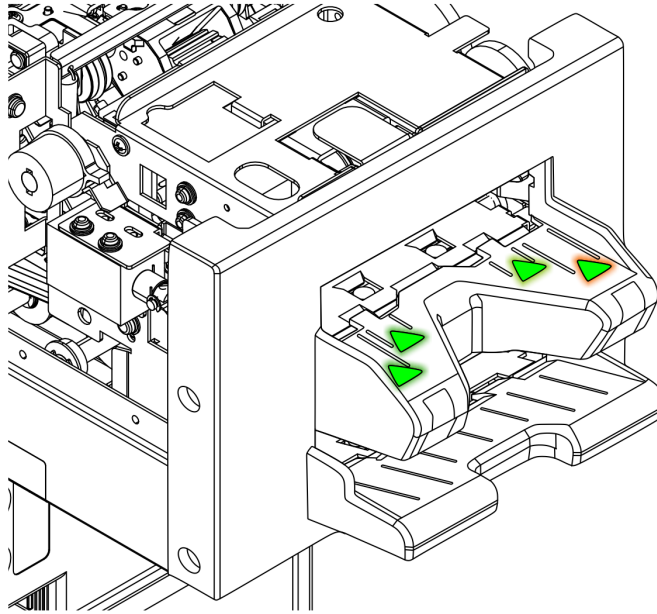


Right Side



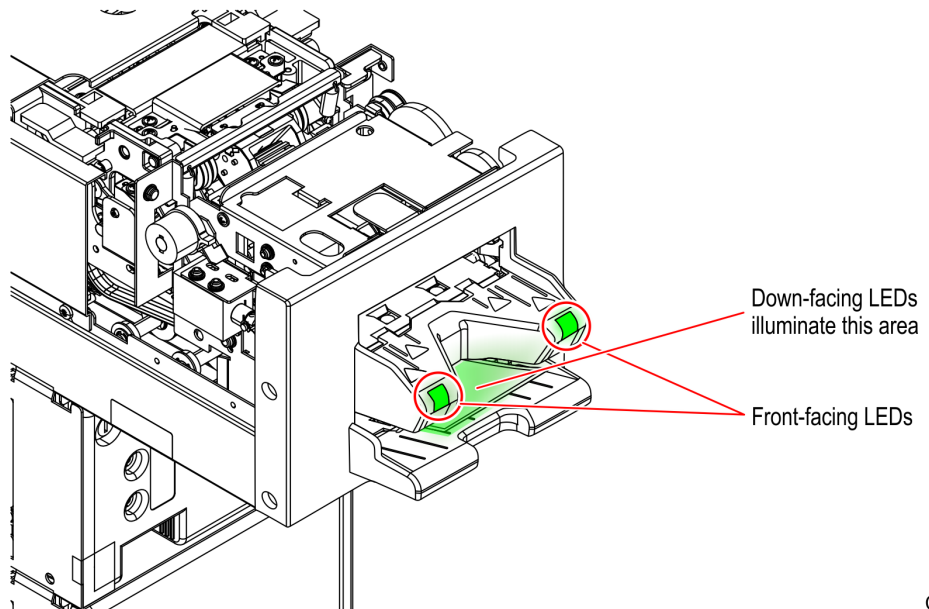
CCP-76807

3. Check that the Bezel LEDs are operating properly by confirming the following:
 - When accepting notes, arrows illuminate in a green “runway” pattern.



CCP-76808

- When dispensing notes, down-facing LEDs and front-facing LEDs illuminate with green light.



CCP-76809



Note: For more information about the Note Entry/Exit Slots LEDs, refer to [Entry/Exit Slots LED Indicators](#) section in the 7360 Hardware User Documentation.

