



## Kit Instructions

# Tri-Light/Lane Light with IP Camera (D-Vitec)



7360-K086

Issue A

# Copyright

---

The product described in this document is a licensed product of NCR Corporation.

NCR is a registered trademark of NCR Corporation. NCR [Product] is a trademark of NCR Corporation in the United States and/or other countries. Other product names mentioned in this publication may be trademarks or registered trademarks of their respective companies and are hereby acknowledged.



Java is a registered trademark of Oracle and/or its affiliates.

The terms HDMI and HDMI High-Definition Multimedia Interface, and the HDMI Logo are trademarks or registered trademarks of HDMI Licensing LLC in the United States and other countries.

Where creation of derivative works, modifications or copies of this NCR copyrighted documentation is permitted under the terms and conditions of an agreement you have with NCR, NCR's copyright notice must be included.

It is the policy of NCR Corporation (NCR) to improve products as new technology, components, software, and firmware become available. NCR, therefore, reserves the right to change specifications without prior notice.

All features, functions, and operations described herein may not be marketed by NCR in all parts of the world. In some instances, photographs are of equipment prototypes. Therefore, before using this document, consult with your NCR representative or NCR office for information that is applicable and current.

Copyright © 2024  
By NCR Voyix Corporation  
Global Headquarters  
864 Spring St. NW  
Atlanta, GA 30308  
United States  
All Rights Reserved

Confidential and proprietary information of NCR Voyix Corporation.  
Unauthorized use, reproduction and/or distribution is strictly prohibited.

# Revision Record

---

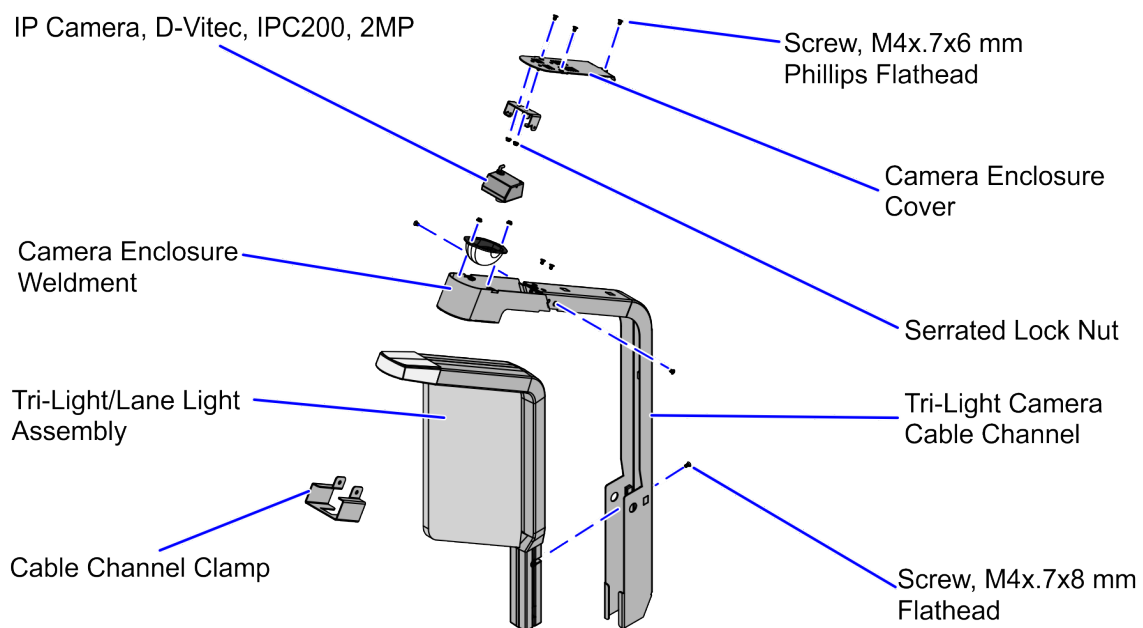
Issue	Date	Remarks
A	Feb 2024	<ul style="list-style-type: none"><li>• First issue.</li><li>• Updated with IP-Guild Styles</li></ul>

# Tri-Light/Lane Light with IP Camera (D-Vitec)

This publication provides procedures for installing the Tri-Light/Lane Light with IP Camera (D-Vitec) and Label to the following units:

- NCR FastLane SelfServ™ Checkout (7360)
- NCR FastLane SelfServ™ Checkout (7358)
- NCR FastLane SelfServ™ Checkout (7357)

## Kit Contents



CCP-83457

Part Number	Description
497-0535459	Kit - Tri-light with IP Camera (D-Vitec) Preferred Offer
497-0535454	Tri-Light Camera Cable Channel
497-0535455	Cable Channel Clamp
497-0530205	Tri-Light/Lane Light Assembly

Confidential and proprietary information of NCR Voyix Corporation.  
 Unauthorized use, reproduction and/or distribution is strictly prohibited.



Part Number	Description
006-8623633	Machine Screw, Flat Head Phillips Zinc-Plated Steel, M4 Size, 6mm Length, .7mm Pitch (7 pcs)
497-0535453	Camera Bracket - D-Vitec
497-0532630	IP Camera - PoE/12V, D-Vitec IPC200, 2MP
006-8628746	Nut M3 Self Locking (4 pcs)
006-8624498	Screw - M4x.7x8mm, Flat head, Stainless
* 497-0519622	Label - Hole Cover, Mid-Silver (3 pcs)
* 497-0511101	Lane Light Graphics Label – NCR Fastlane
497-0535450	Weldment - Camera Enclosure
497-0535451	Cover - Camera Enclosure
497-0535452	Camera Lens Cover
006-8628729	Tie Strap Plain 5.60 LG (8 pcs)
* 497-0423108	Instructions - Kit (Reference Sheet)

\* Items marked with an asterisk are not called out on the image.

# Customer Supplied Devices

The following devices must be supplied by the customer:

- 802.3at (PoE+) Compatible Switch/Injector
- Ethernet (LAN) Cable

# Installation Procedure

To install the Tri-Light/Lane Light with IP Camera (D-Vitec), follow these steps:



## Note

Ensure that the NCR Customer Helpdesk is informed when the Tri-Light/Lane Light with IP Camera is installed in the store.

1. If necessary, do the following:
  - a. Remove the existing Tri-Light/Lane Light Assembly. For more information, refer to [Removing the Tri-Light/Lane Light \(R6\) on the next page](#).
  - b. Remove the existing Tri-Light/Lane Light Pole. For more information, refer to [Removing the Tri-Light/Lane Light Pole on page 14](#).
2. Install the Tri-Light/Lane Light Pole. For more information, refer to [Installing the Tri-Light/Lane Light Pole on page 10](#).



## Note

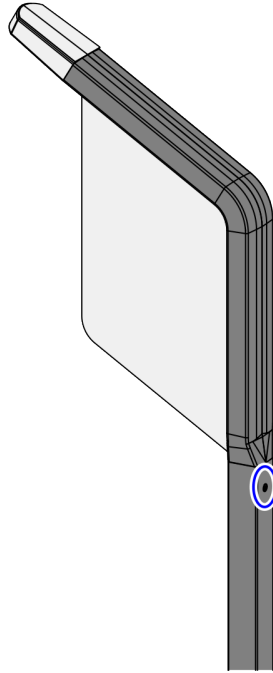
Only install the Tri-Light/Lane Light Pole with Cable Hole for 7360 units.

3. Install the Lane Light Label to the new Tri-Light/Lane Light Assembly. For more information, refer to [Installing the Label on page 17](#).
4. Install the IP Camera (D-Vitec) to the Tri-Light/Lane Light Assembly, refer to [Installing the IP Camera on page 20](#).
5. Install the new Tri-Light with IP Camera Assembly. For more information, refer to [Installing the Tri-Light/Lane Light with IP Camera Assembly on page 23](#).
6. Configure the Camera Settings. For more information, refer to [Configuring the Camera Settings on page 62](#).

## Removing the Tri-Light/Lane Light (R6)

To remove the Tri-Light/Lane Light Assembly, follow these steps:

1. Turn off the NCR SelfServ Checkout software and hardware systems.
2. Remove one (1) screw to detach the Tri-Light/Lane Light Assembly to the Tri-Light/Lane Light pole.



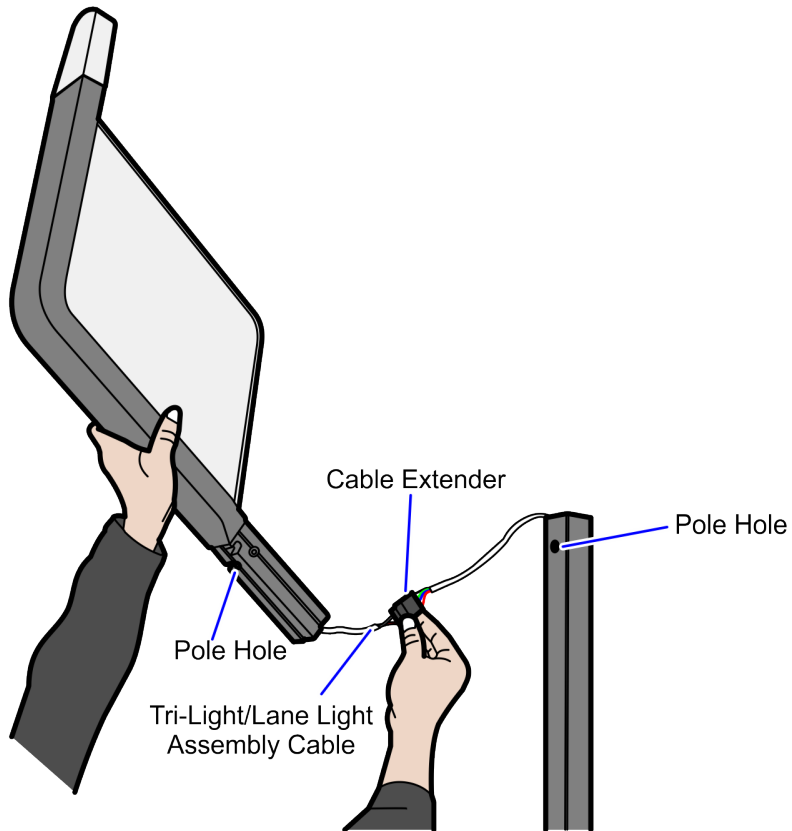
CCP-62078

3. Lift the Tri-Light/Lane Light Assembly and then disconnect the cables.



**Tip**

Mark all cables as to where they are connected to quickly determine the corresponding port when reconnecting the cables.

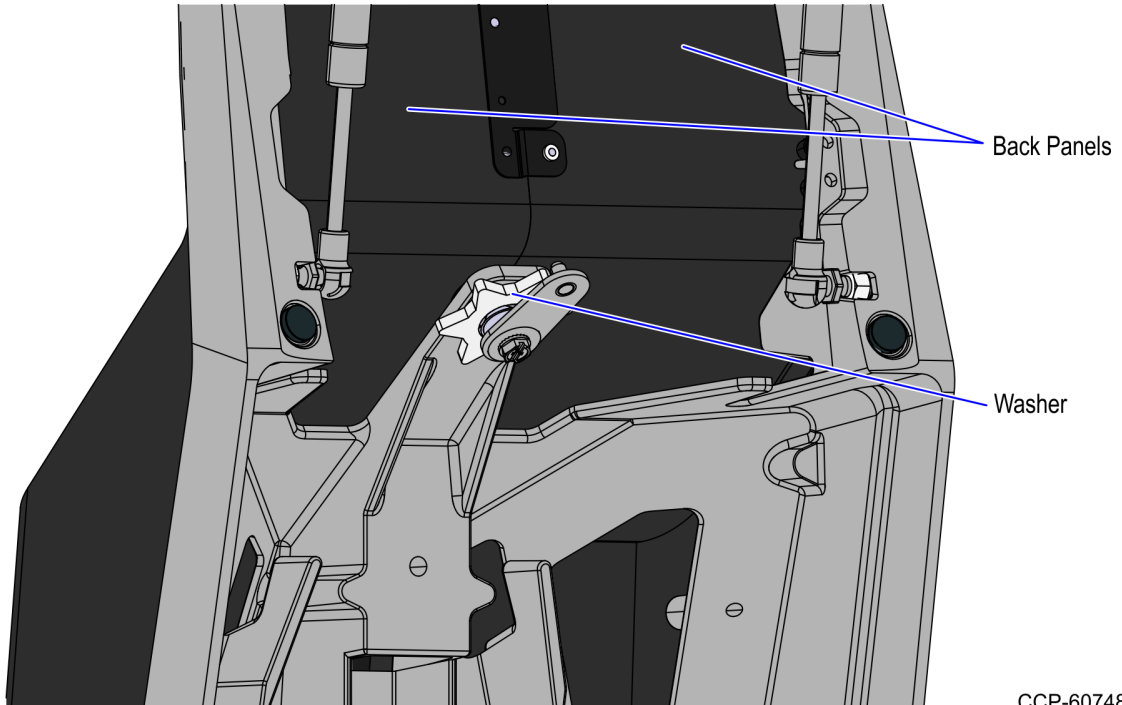


CCP-62080

## Installing the Tri-Light/Lane Light Pole

To install the Tri-Light/Lane Light Pole to the 7360 unit, follow these steps:

1. Loosen the star-shaped washer around the keylock assembly.



2. Remove the two (2) back panels from the Tower Assembly.

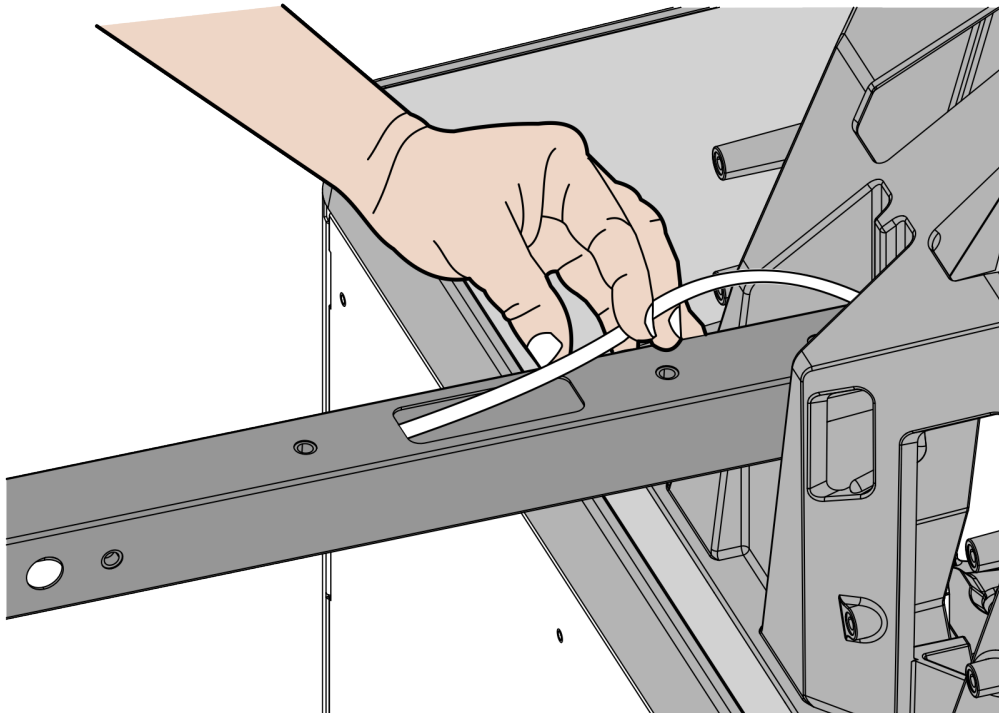
3. Insert the Tri-Light/Lane Light Cable through the opening in the side of the Tri-Light/Lane Light Pole and route it out the top of the pole.

Tri-Light	Destination Connection (Location)
Cable Extender	I/O Box (Tri-Light/Lane Light port)
Ethernet (LAN) Cable	PoE Switch



**Tip**

To make routing the cable extender through the pole easier, first attach a weight (for example, a large bolt) to a long piece of string and drop the weighted end of the string through the Tri-Light/Lane Light pole. Once the string is threaded through the pole, tie the non-weighted end of the string around the cable connector and then pull the cable extender through the pole.



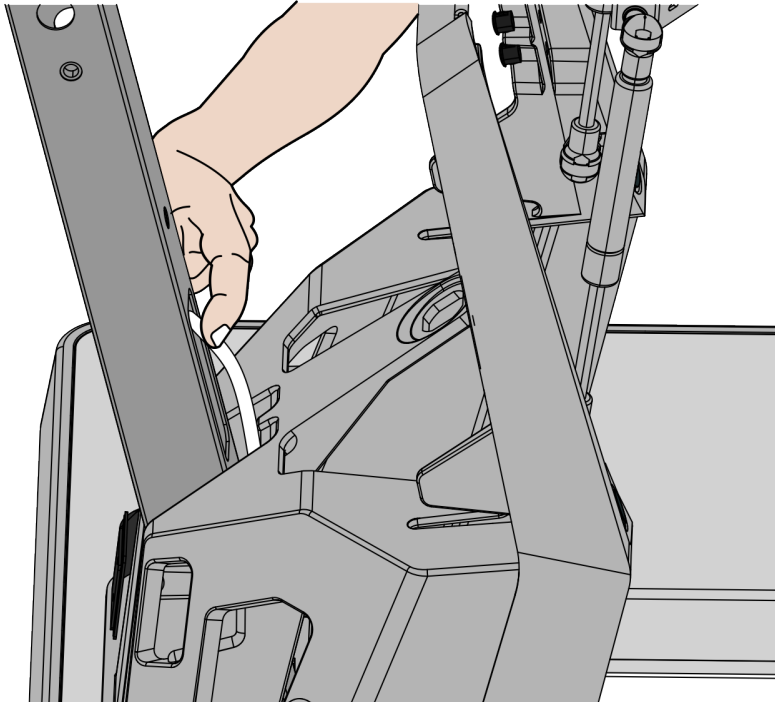
CCP-60749



**Note**

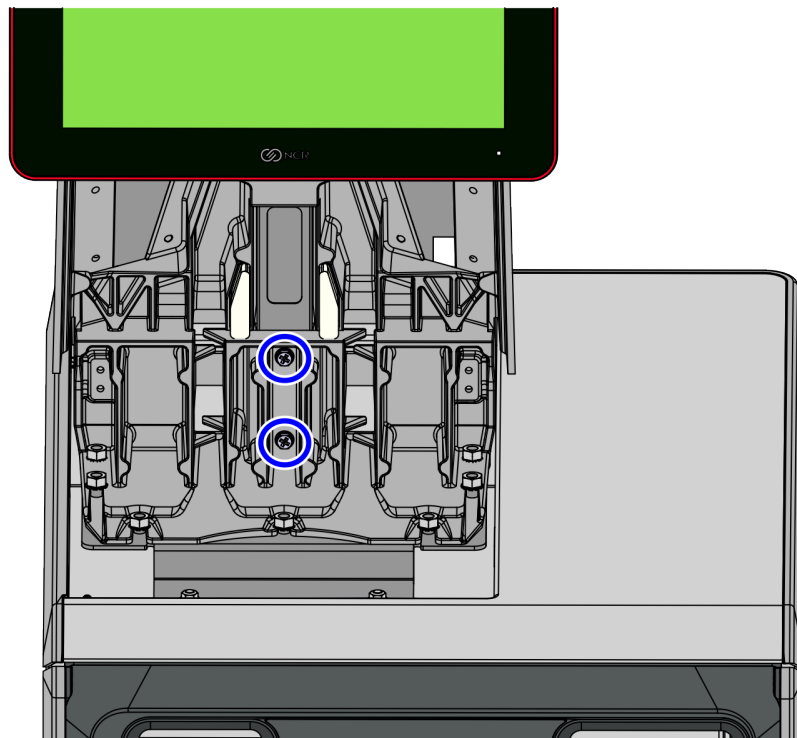
If installing a secondary display, route the display cables out of the smaller hole on the back of the pole.

4. Route the cables coming out of the unit so they align with the grooves and carefully insert the pole into the tower.



CCP-60750

5. Secure the pole to the tower with two (2) screws.

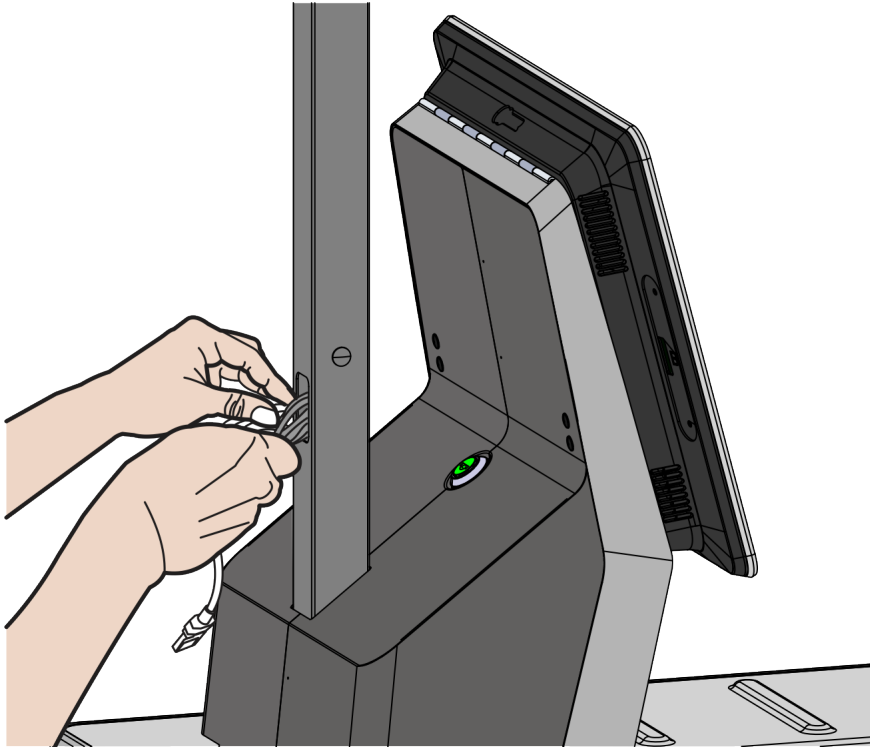


CCP-82467

Confidential and proprietary information of NCR Voyix Corporation.  
Unauthorized use, reproduction and/or distribution is strictly prohibited.



6. Insert the excess cables into the opening on the Tri-Light/Lane Light Pole so that cables will not interfere with any other items.

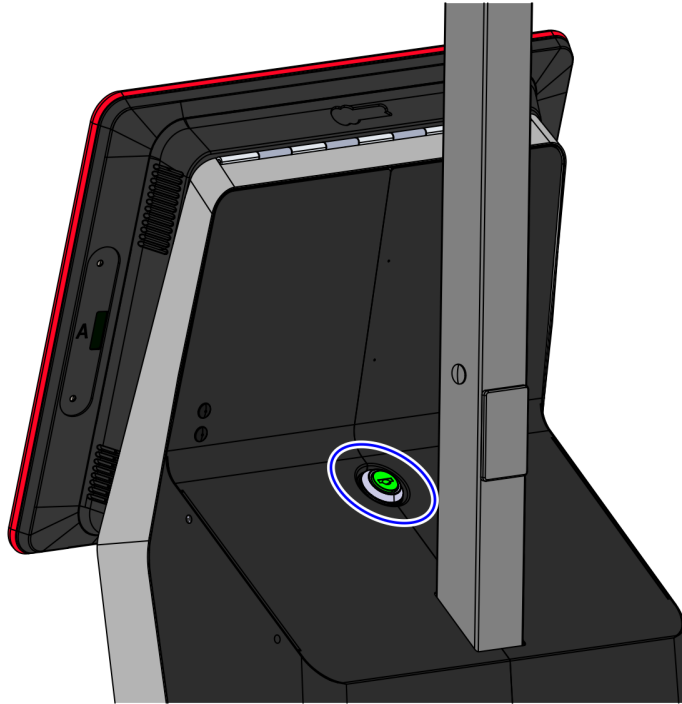


CCP-61149

## Removing the Tri-Light/Lane Light Pole

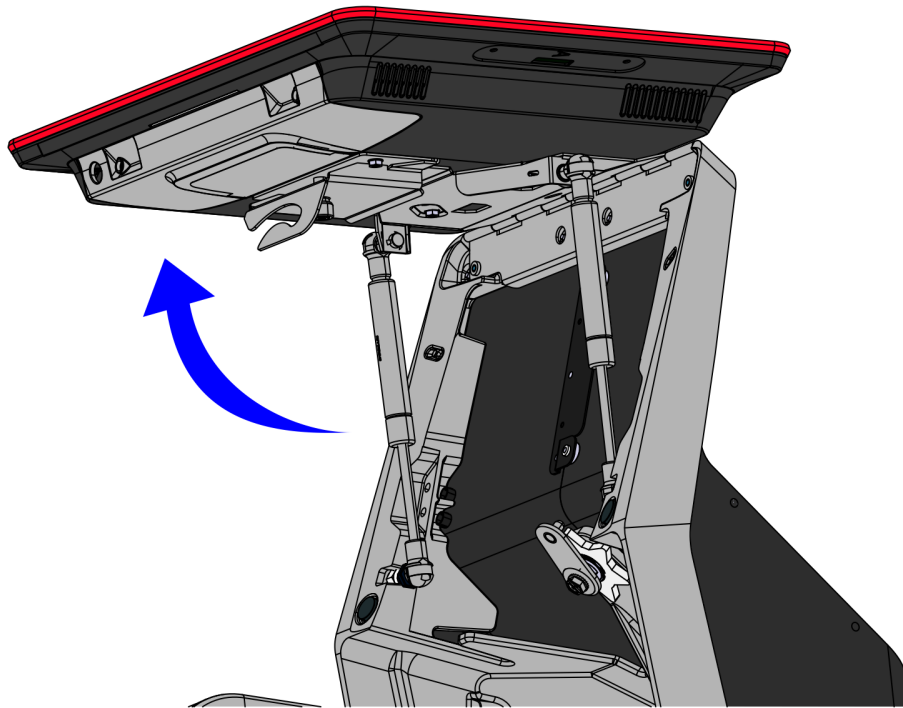
To remove the Tri-Light/Lane Light Pole, follow these steps:

1. Remove the Tri-Light/Lane Light Assembly, if necessary. For more information, refer to [Removing the Tri-Light/Lane Light \(R6\) on page 8](#).
2. Insert key in lock on the back of tower and then turn counterclockwise to unlock the terminal.



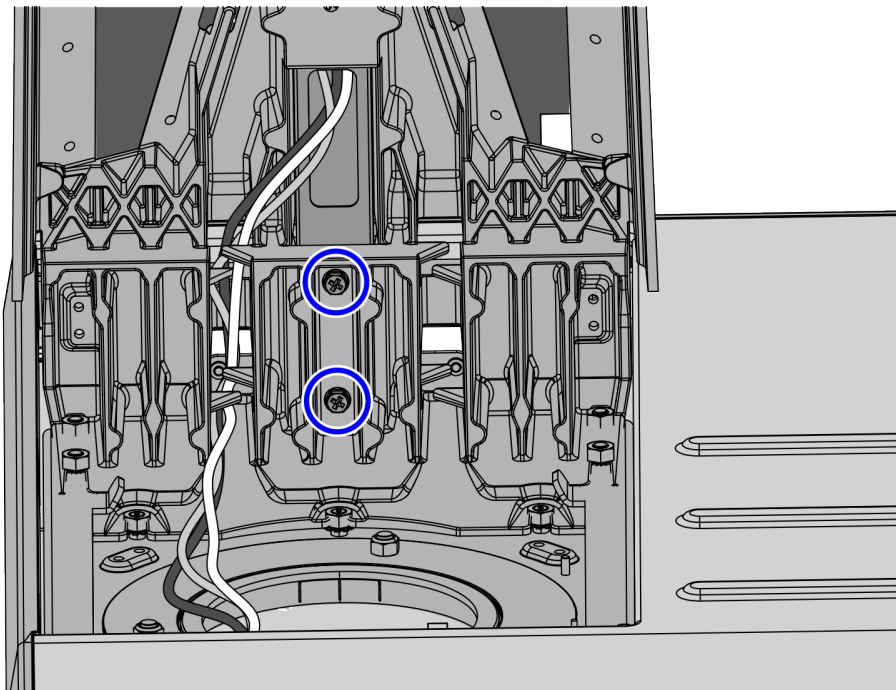
CCP-61622

3. Lift up the Terminal Display.



CCP-62073

4. Remove the Scanner/Scale to access the screws that secure the Tri-Light/Lane Light Pole.
5. Remove the two (2) screws securing the Tri-Light/Lane Light Pole to the Tower Frame duct.



CCP-61150

6. Disconnect the cables and remove them out of the Tri-Light/Lane Light Pole.

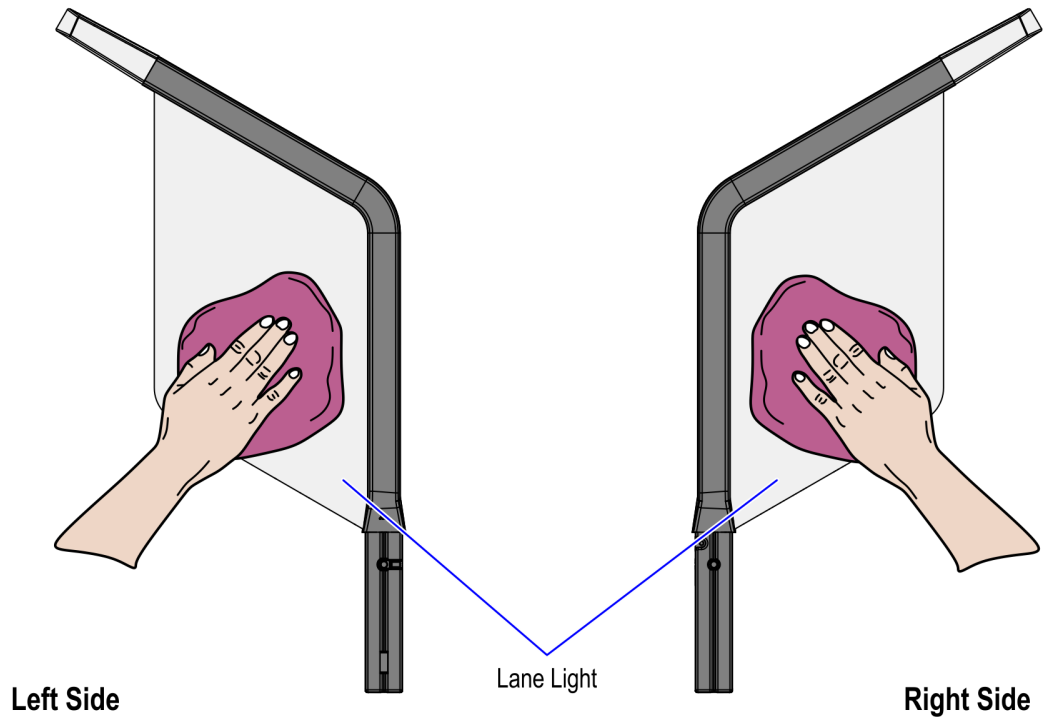
Confidential and proprietary information of NCR Voyix Corporation.  
Unauthorized use, reproduction and/or distribution is strictly prohibited.

7. Lift the Tri-Light/Lane Light Pole out of the Tower Frame.

## Installing the Label

To install the Lane Light Label, follow these steps:

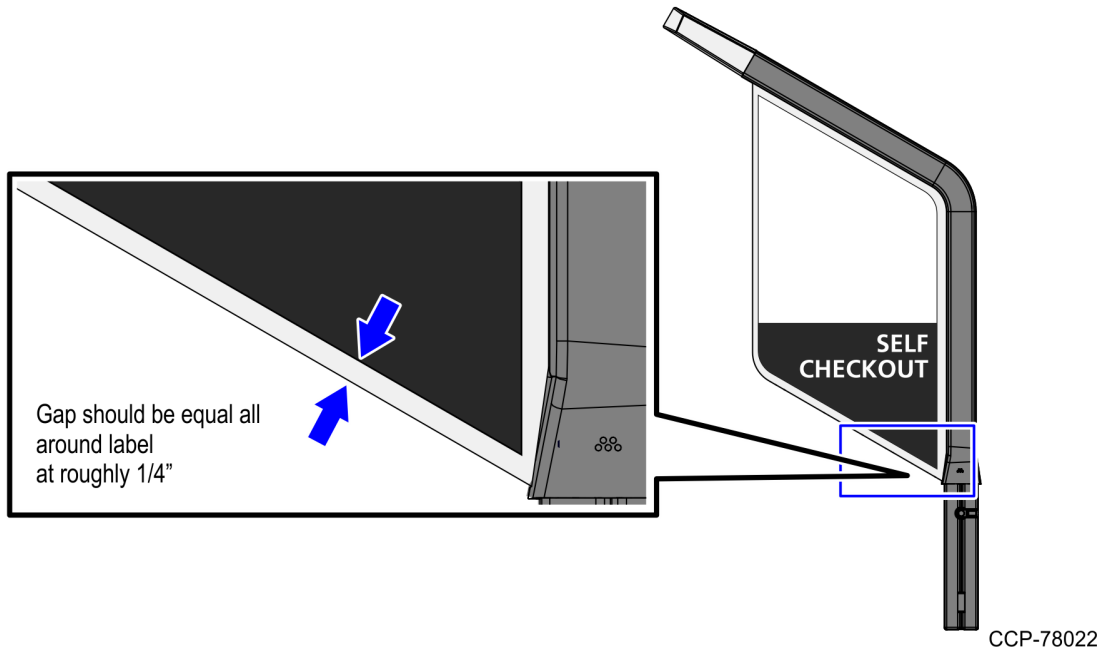
1. Remove the Tri-Light/Lane Light Assembly from the Tri-Light/Lane Light Pole, if necessary.
2. Wipe any dust or dirt on the surface of both sides of the Lane Light.



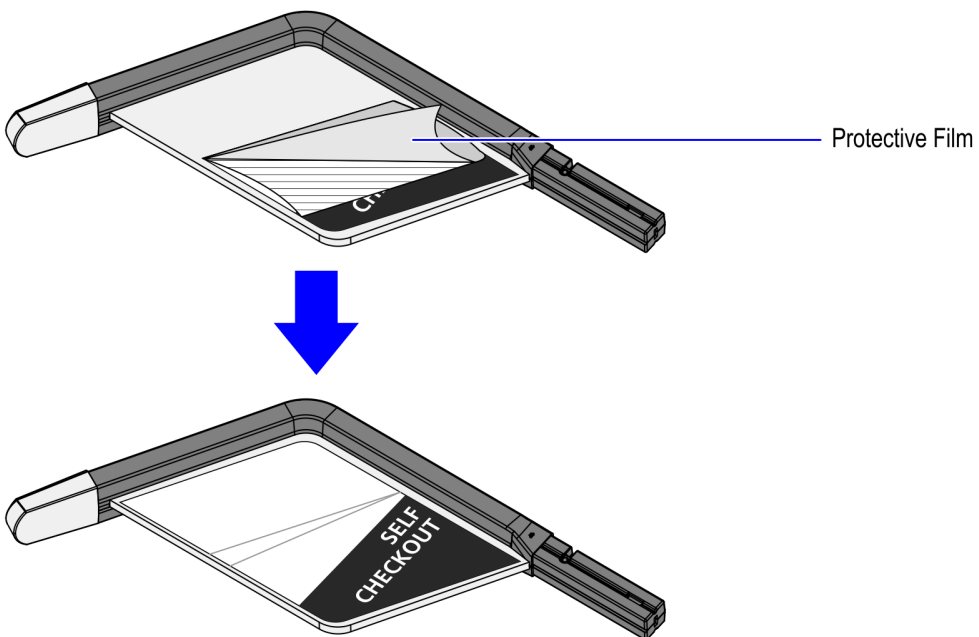
CCP-78021

3. Set the Lane Light on a flat surface.

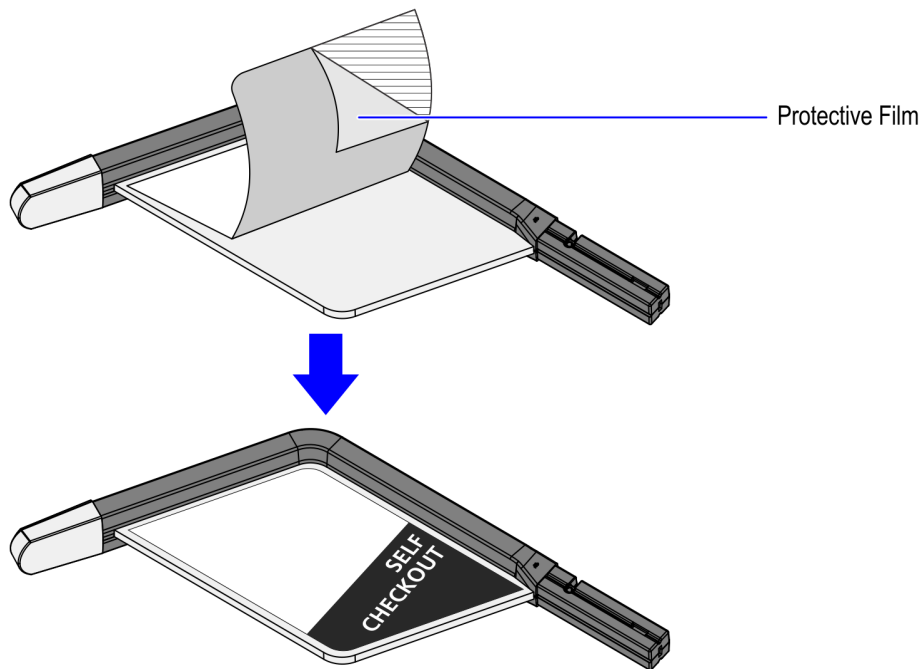
4. Position the label on the Lane Light so that there is an equal space of  $\frac{1}{4}$  in (6.35 mm) around the label.



5. Hold half of the label in place while peeling off the protective film from the other half of the label and then attach the label on the Lane Light, as shown in the image below.



6. Peel off the protective film from the other half of the label and then attach the label to the Lane Light.



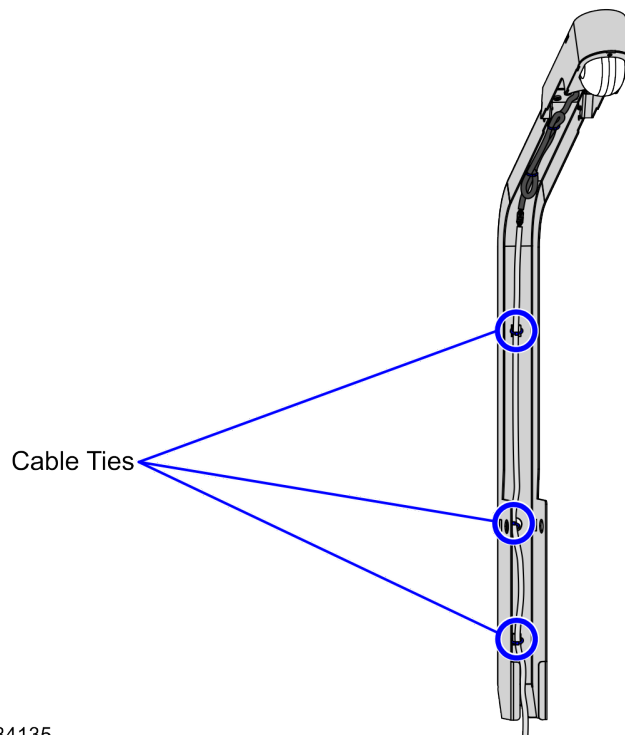
7. Smooth out any air bubbles.

CCP-78024

# Installing the IP Camera

To install the IP Camera to the Tri-Light/Lane Light Assembly, follow these steps:

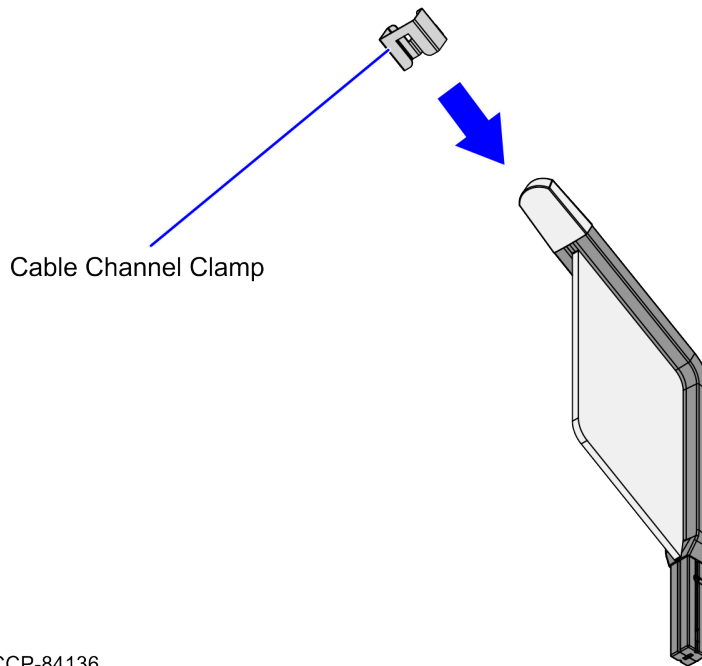
1. Remove the existing Tri-Light/Lane Light Assembly. For more information, refer to [Removing the Tri-Light/Lane Light \(R6\) on page 8](#).
2. Connect the LAN Cable to the IP Camera.
3. Secure the LAN Cable to the Tri-Light Cable Channel using three (3) cable ties, as shown in the image below.



CCP-84135

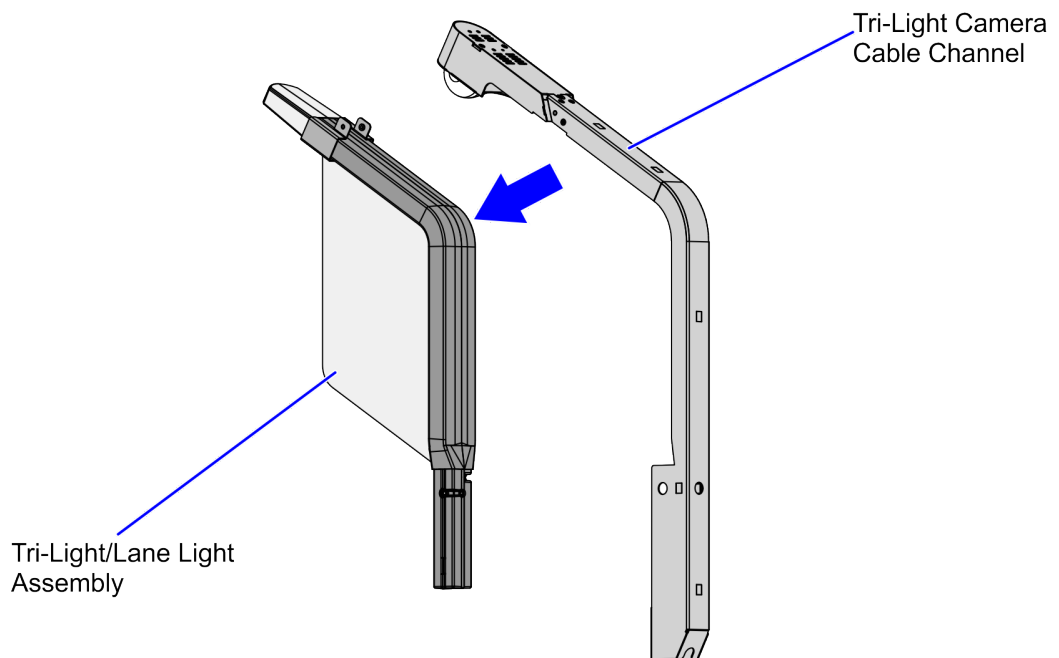


- Slide the Tri-Light Cable Channel Clamp on the Tri-Light/Lane Light Assembly.



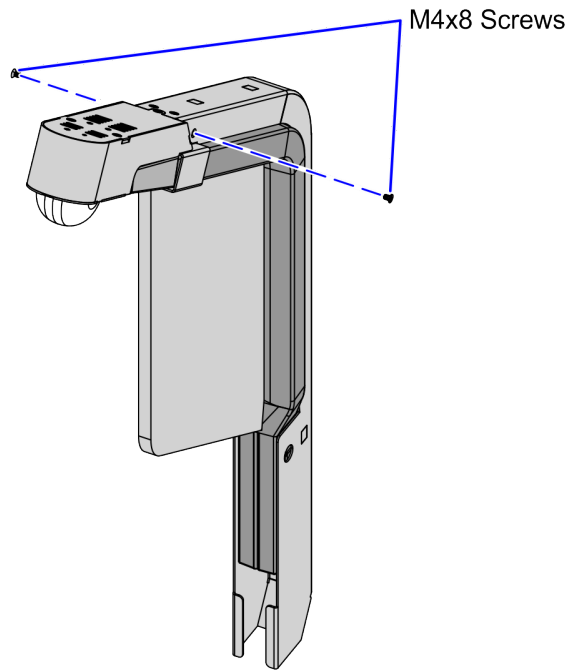
CCP-84136

- Slide the Tri-Light Cable Channel Assembly on the Tri-Light/Lane Light Assembly with Cable Channel Clamp.



CCP-84137

- Secure the Tri-Light Cable Channel to the Tri-Light/Lane Light Assembly using two (2) screws.



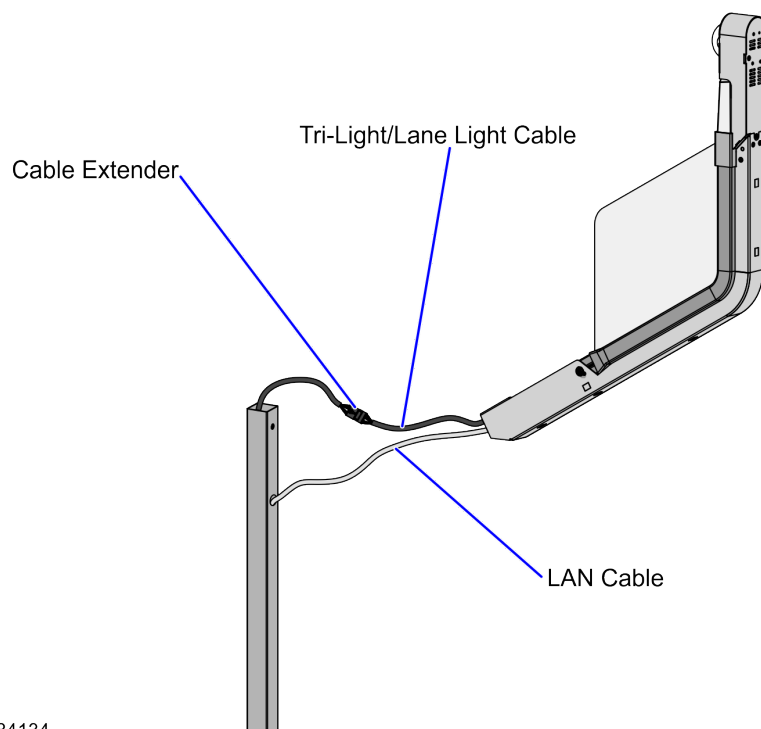
CCP-84138

# Installing the Tri-Light/Lane Light with IP Camera Assembly

To install the new Tri-Light/Lane Light with IP Camera Assembly, follow these steps:

**i Note**  
Ensure that the NCR Customer Helpdesk is informed when the Tri-Light/Lane Light with IP Camera is installed in the store.

1. Do the following:
  - a. Route the LAN Cable into the Tri-Light/Lane Light Pole.
  - b. Connect the Tri-Light/Lane Light Cable to the cable extender.



CCP-84134

2. Orient the Tri-Light/Lane Light Assembly so that the Lane Light faces the front of the unit.
3. Insert the Tri-Light/Lane Light Assembly into the Tri-Light/Lane Light Pole.

**i Note**  
Ensure the pole holes are aligned and that the LAN Cable and the Tri-Light/Lane Light Cable do not intertwine when installing the Tri-Light/Lane Light assembly to the Tri-Light/Lane Light Pole.

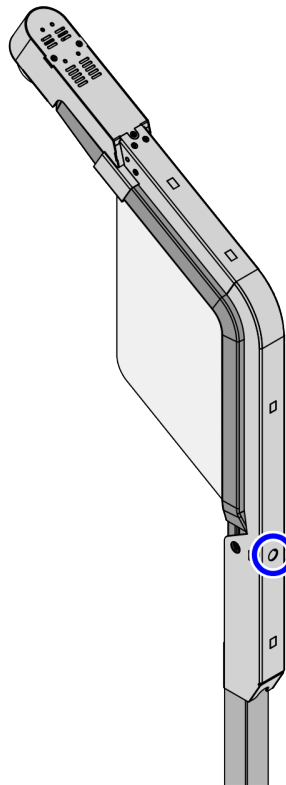
- Route and connect the Tri-Light/Lane Light and LAN cables to the corresponding port destinations:

**i Note**  
For more information on routing cables, refer to [Routing the Cables on page 26](#).

Tri-Light	Destination Connection (Location)
Cable Extender	I/O Box (Tri-Light/Lane Light port)
Ethernet (LAN) Cable	PoE Switch

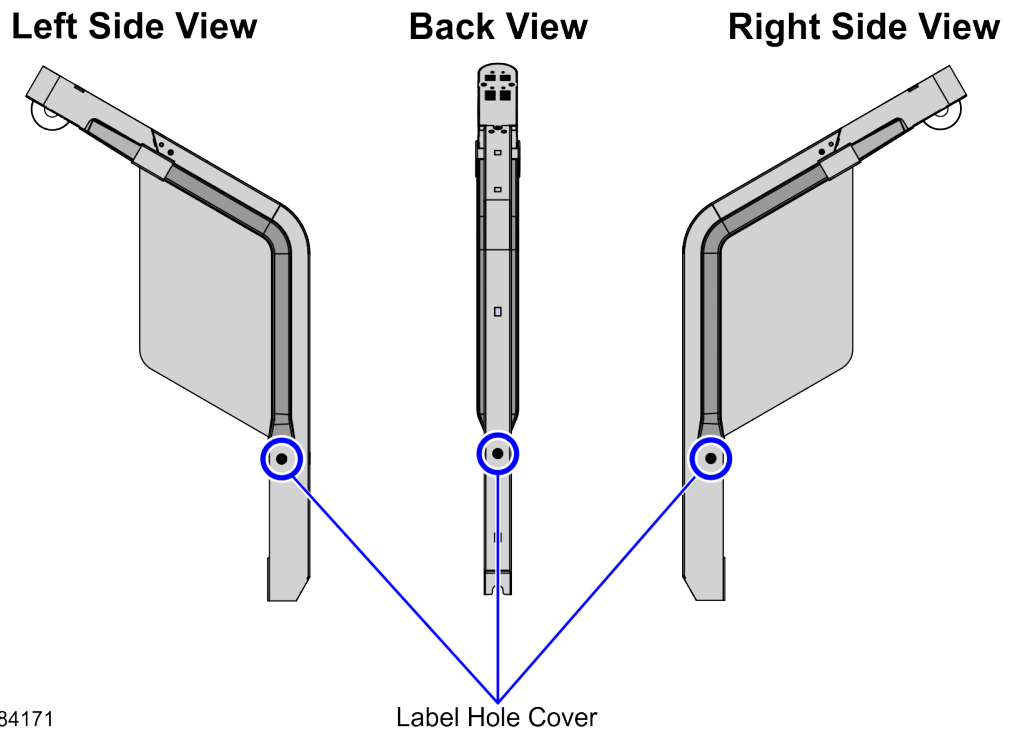
**i Note**  
Ensure that the Camera uses an 802.3at (PoE+) compatible Switch/Injector.

- Secure the Tri-Light/Lane Light Assembly to the pole using one (1) screw.



CCP-84169

6. Attach three (3) Label-Hole Covers to the holes on the Tri-Light/Lane Light, as show in the image below.



CCP-84171

## Routing the Cables

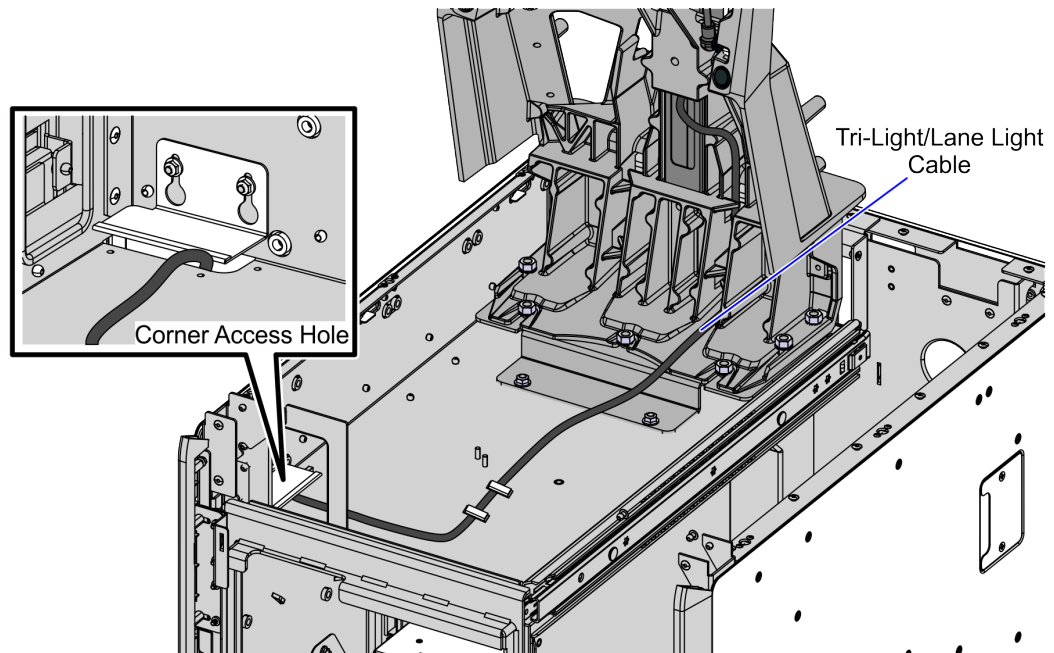
The steps for routing the Tri-Light/Lane Light and LAN cables depend on the SelfServ Checkout configuration. For more information, refer to the following procedures:

- [Routing the Cables: 7360 R6-C Full Function \(Fixed\) on the next page](#)
- [Routing the Cables: 7360 R6-C Full Function \(Convertible\) on page 35](#)
- [Routing the Cables: 7360 R6-C \(Card Only\) on page 43](#)
- [Routing the Cables: 7357 R6LN Plus on page 50](#)
- [Routing the Cables: 7358 R6L Plus on page 56](#)

## Routing the Cables: 7360 R6-C Full Function (Fixed)

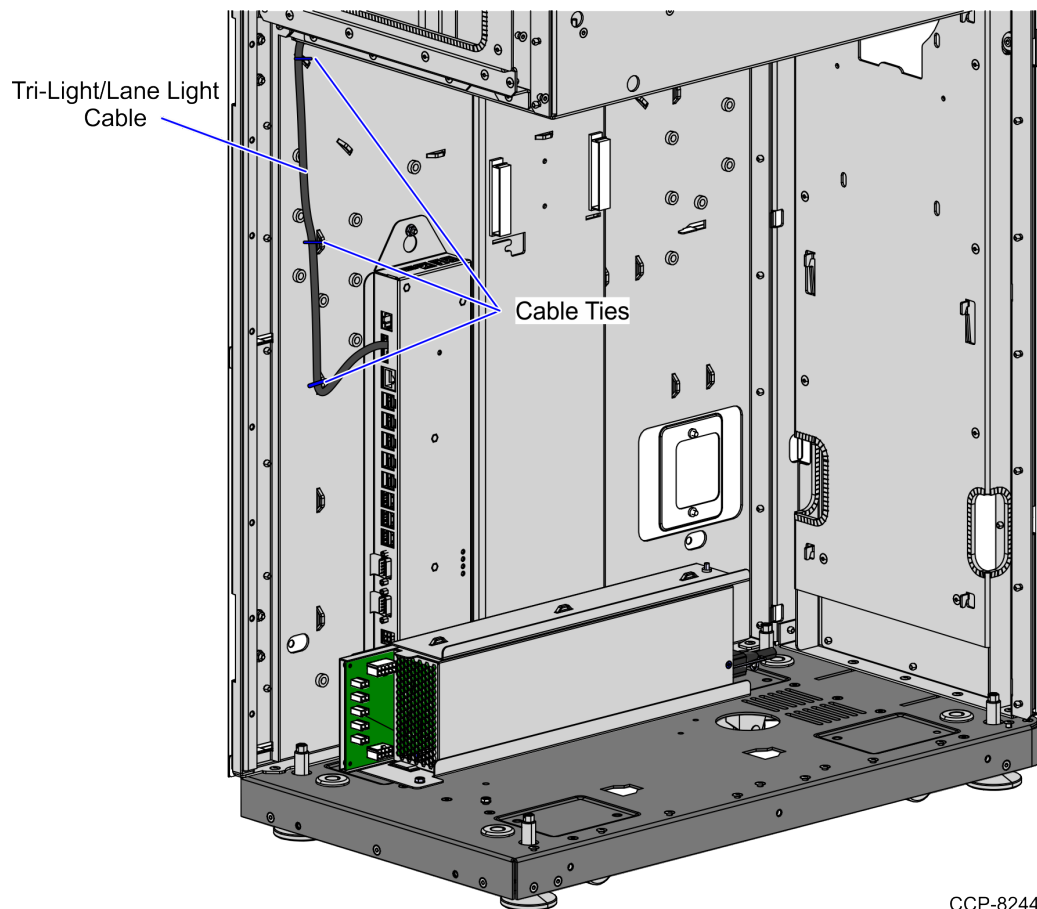
To route the Tri-Light/Lane Light Cable and LAN Cable in the Full Function (Fixed) unit, follow these steps:

1. Do the following:
  - a. From the Tower Frame pole duct, route the Tri-Light/Lane Light Cable through the built-in hooks inside the Tower Frame.
  - b. Route the cable down the Scanner Bucket floor. Use cable ties to secure the cable on the bridge lances.
  - c. Secure the cable to the anchor using a cable tie.



CCP-82464

2. Route the Tri-Light/Lane Light Cable by doing the following:
  - a. From the corner cable access hole, route the cable down the Core Cabinet wall and use cable ties to secure the cables on the bridge lances.
  - b. Connect the cable to the Tri-Light/Lane Light port of the I/O Box.



CCP-82446

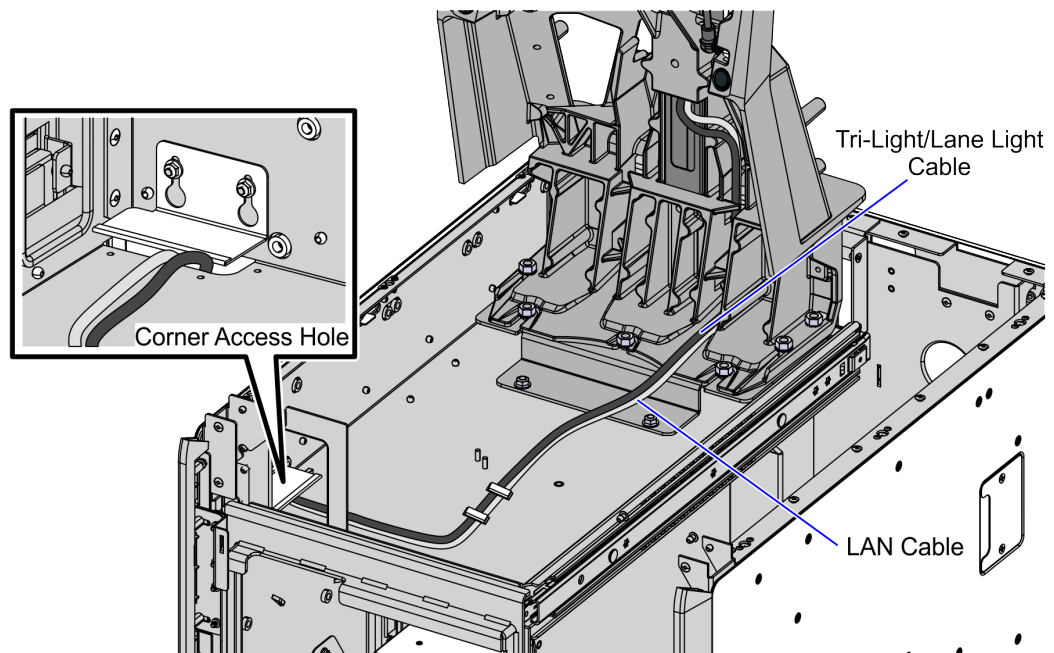
3. Route the LAN Cable. Depending on the configuration, refer to the following:
  - [Routing the LAN Cable: No-Bag Unit on the next page](#)
  - [Routing the LAN Cable: Left-Hand Unit on page 31](#)
  - [Routing the LAN Cable: Right-Hand Unit on page 33](#)



## Routing the LAN Cable: No-Bag Unit

To route the LAN Cable, follow these steps:

1. Do the following:
  - a. From the Tower Frame pole duct, route the cable down through the built-in hooks inside the Tower Frame.
  - b. Route the cable down the Scanner Bucket floor. Use cable ties to secure the cable on the bridge lances.
  - c. Secure the cables to the anchor using a cable tie.

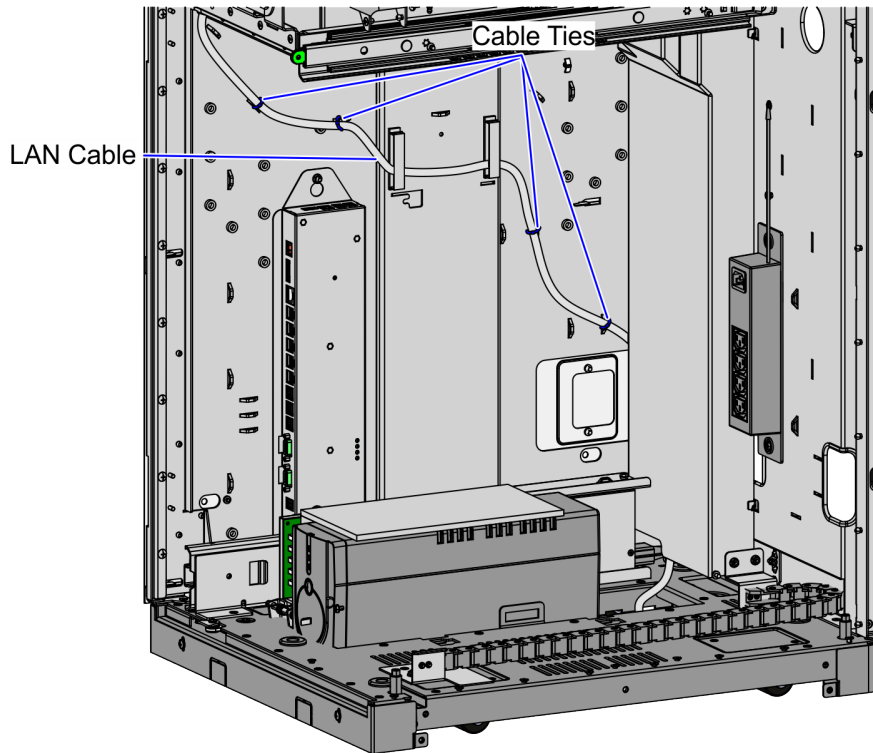


CCP-82445

2. From the corner cable access hole, route the cable down the Core Cabinet wall and down the bottom exit hole, as shown in the image below.

**i Note**

Pass the cable through cable clamps and secure the cable on the bridge lances using cable ties.



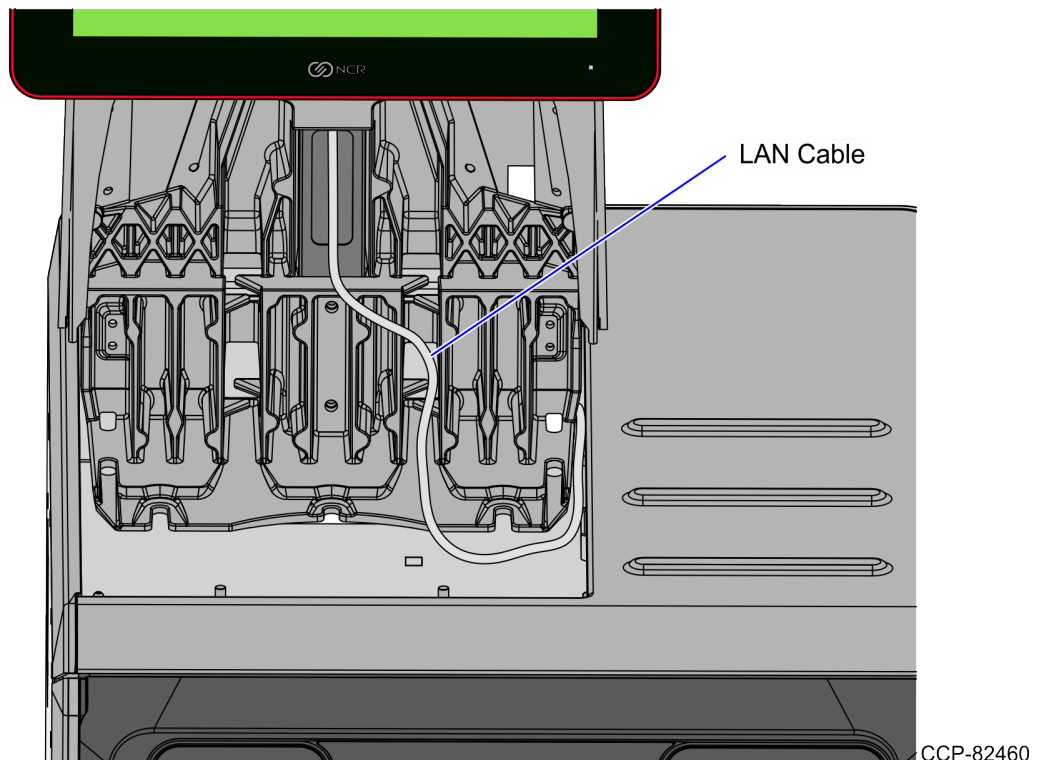
CCP-82487

3. Connect the cable to the PoE Switch.

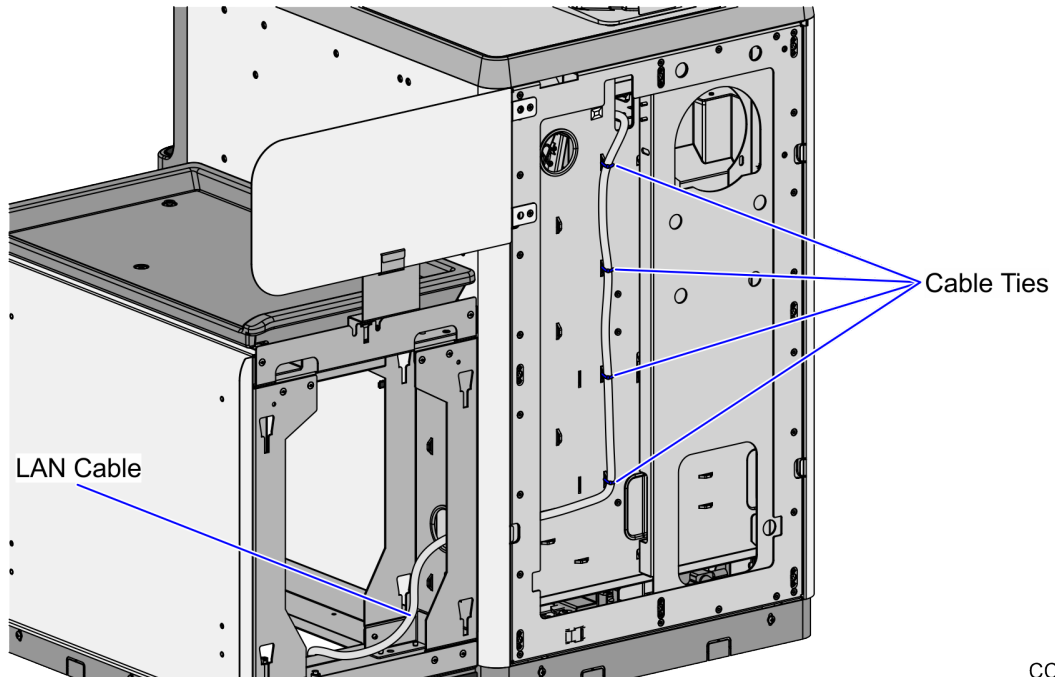
## Routing the LAN Cable: Left-Hand Unit

To route the LAN Cable, follow these steps:

1. From the Tri-Light/Lane Light Pole, route cable down the Scanner Bucket and out through the rear cable access hole.



2. From the rear cable access hole, route the cable down the rear of the Core Cabinet and into the Bagwell through the left side cable exit hole. Use cable ties to secure the cable to the lance bridges.



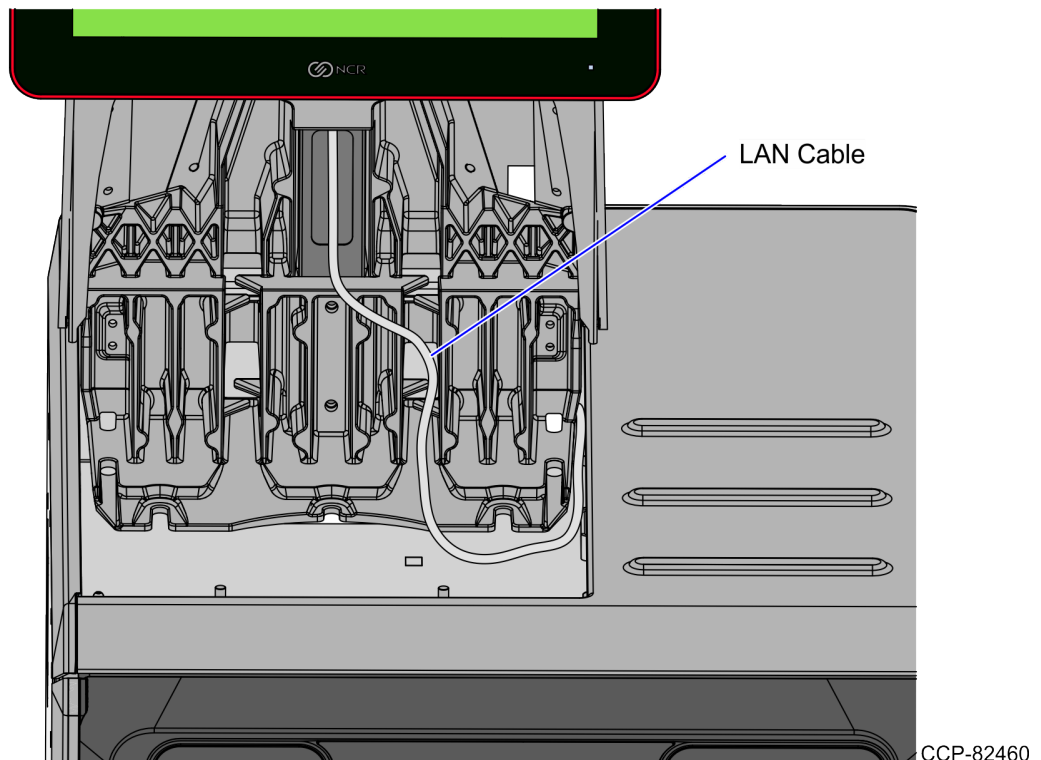
CCP-82462

3. Continue to route the cable out through the bottom cable exit hole and connect it to the PoE Switch.

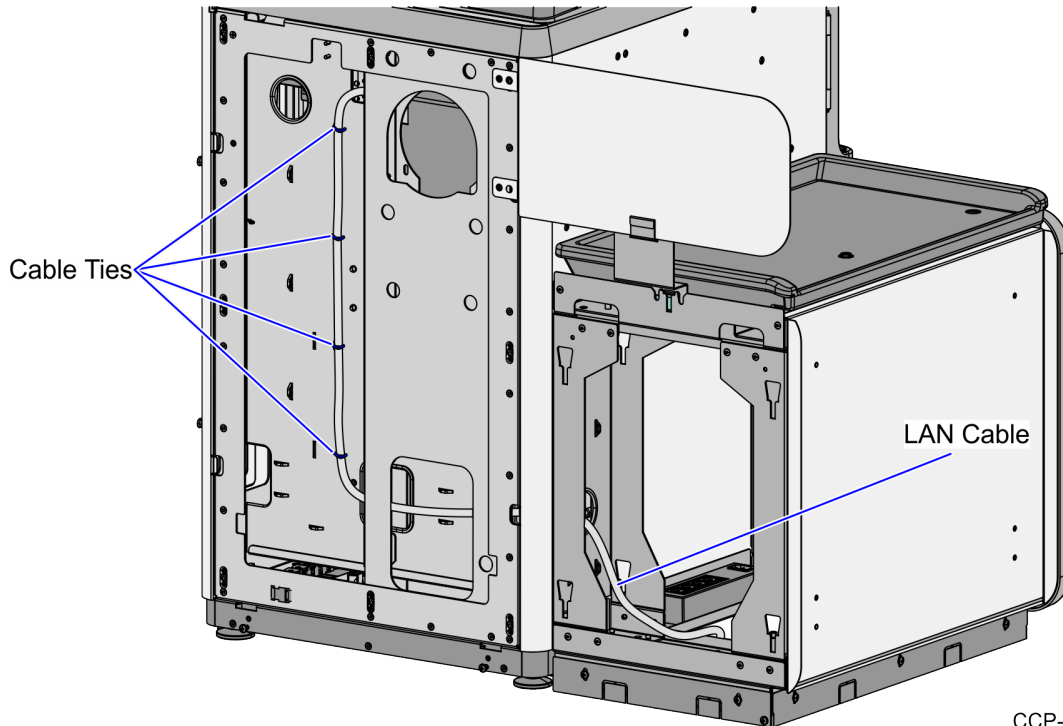
## Routing the LAN Cable: Right-Hand Unit

To route the LAN Cable, follow these steps:

1. From the Tri-Light/Lane Light Pole, route the cable down the Scanner Bucket and out through the rear cable access hole.



2. From the rear cable access hole, route the cable down the rear of the Core Cabinet and into the Bagwell through the right side cable exit hole. Use cable ties to secure the cable to the lance bridges.



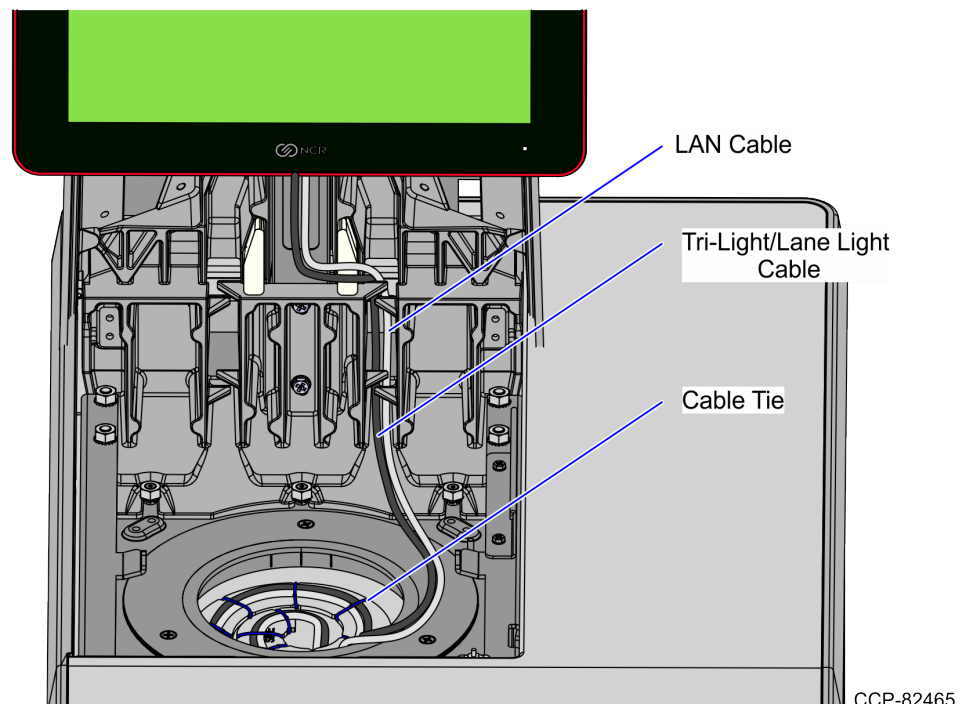
CCP-82482

3. Continue to route the cable out through the bottom cable exit hole and connect it to the PoE Switch.

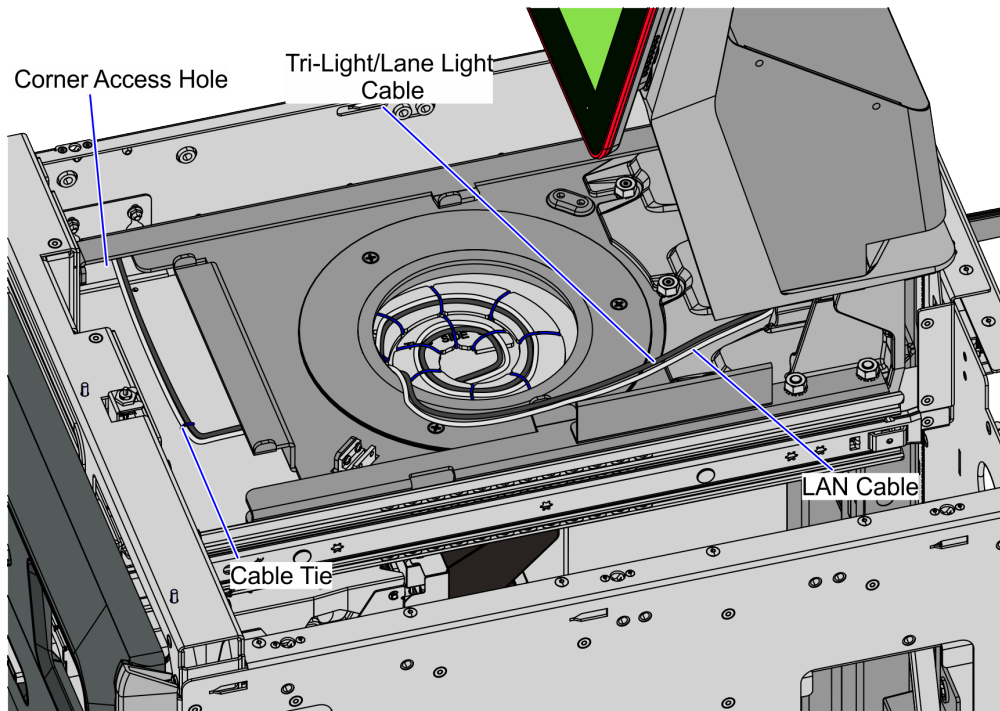
## Routing the Cables: 7360 R6-C Full Function (Convertible)

To route the Tri-Light/Lane Light Cable and LAN Cable in the 7360 Full Function (Convertible) unit, follow these steps:

1. Do the following:
  - a. From the Tower Frame pole duct, route the Tri-Light/Lane Light Cable and the LAN Cable down through the built-in hooks inside the Tower Frame.
  - b. Route the cables down the opening of the Scanner Lift Assembly along the Spiral Management Cable.
  - c. Secure the cables by placing cable ties on every notch on the Spiral Management Cable.

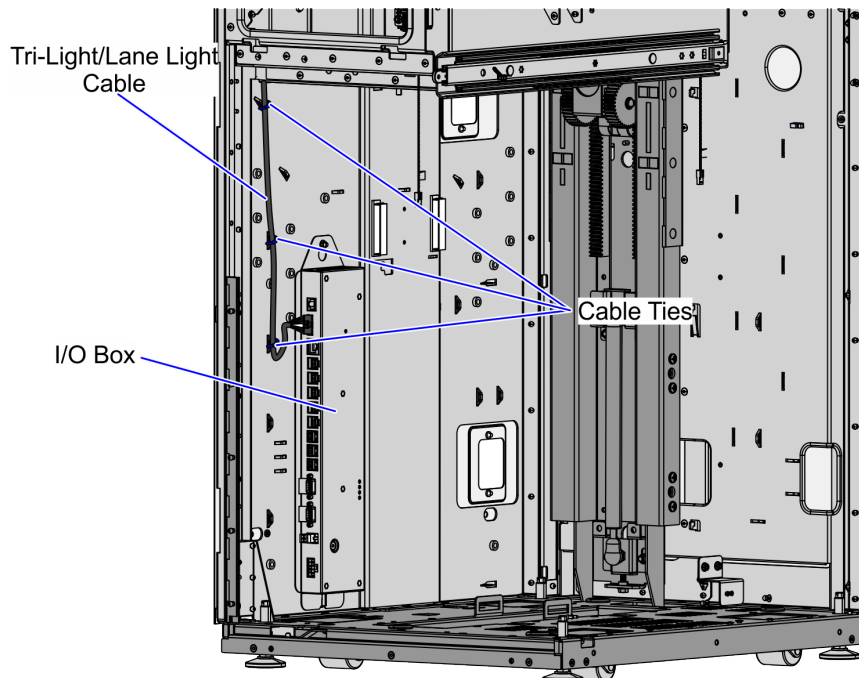


- d. Continue to route the cables into the corner cable access hole.



CCP-82466

2. Route the Tri-Light/Lane Light Cable by doing the following.
- From the corner cable access hole, route the cable down the Core Cabinet wall and use cable ties to secure the cables on the bridge lances.



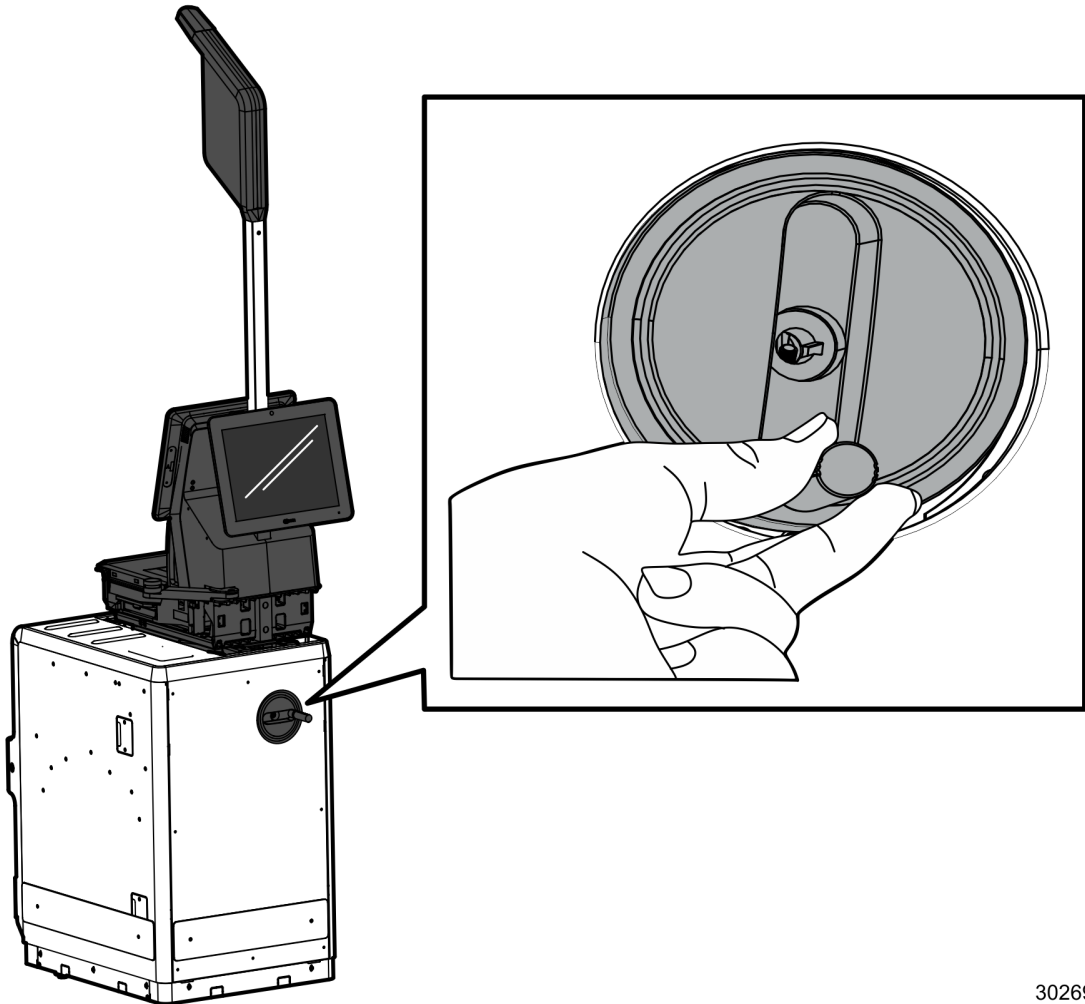
CCP-82469

- Connect the cable to the Tri-Light/Lane Light port of the I/O Box.

Confidential and proprietary information of NCR Voyix Corporation.  
Unauthorized use, reproduction and/or distribution is strictly prohibited.



3. Route the LAN Cable. Depending on the unit configuration, refer to the following:
  - [Routing the LAN Cable: No-Bag on the next page](#)
  - [Routing the LAN Cable: Left-Hand Unit on page 39](#)
  - [Routing the LAN Cable: Right-Hand Unit on page 41](#)
4. Lower and raise the Tower Frame by rotating the Conversion Handle to ensure that the cables do not interfere with the movement.



30269

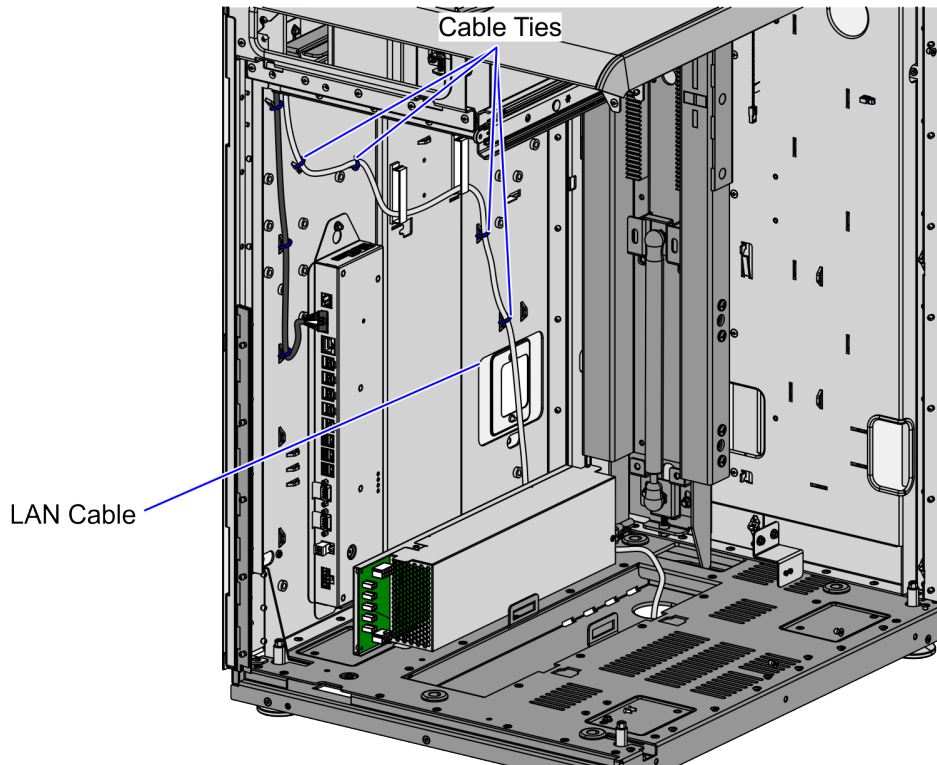
## Routing the LAN Cable: No-Bag

To route the LAN Cable, follow these steps:

1. From the corner cable access hole, route the cable down the Core Cabinet wall and down the bottom exit hole, as shown in the image below.

**i Note**

Pass the cable through cable clamps and secure the cable on the bridge lances using cable ties.



CCP-82494

2. Connect the cable to the PoE Switch.

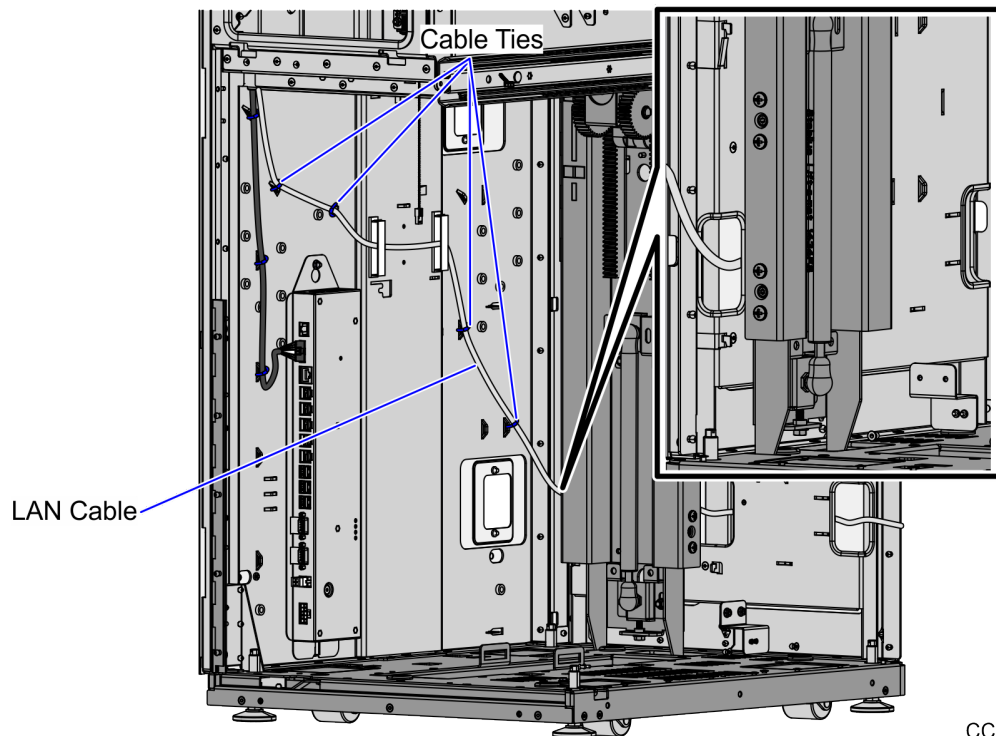
## Routing the LAN Cable: Left-Hand Unit

To route the LAN Cable, follow these steps:

1. From the corner cable access hole, route the cable down the Core Cabinet wall and through the cable access hole, as shown in the image below.

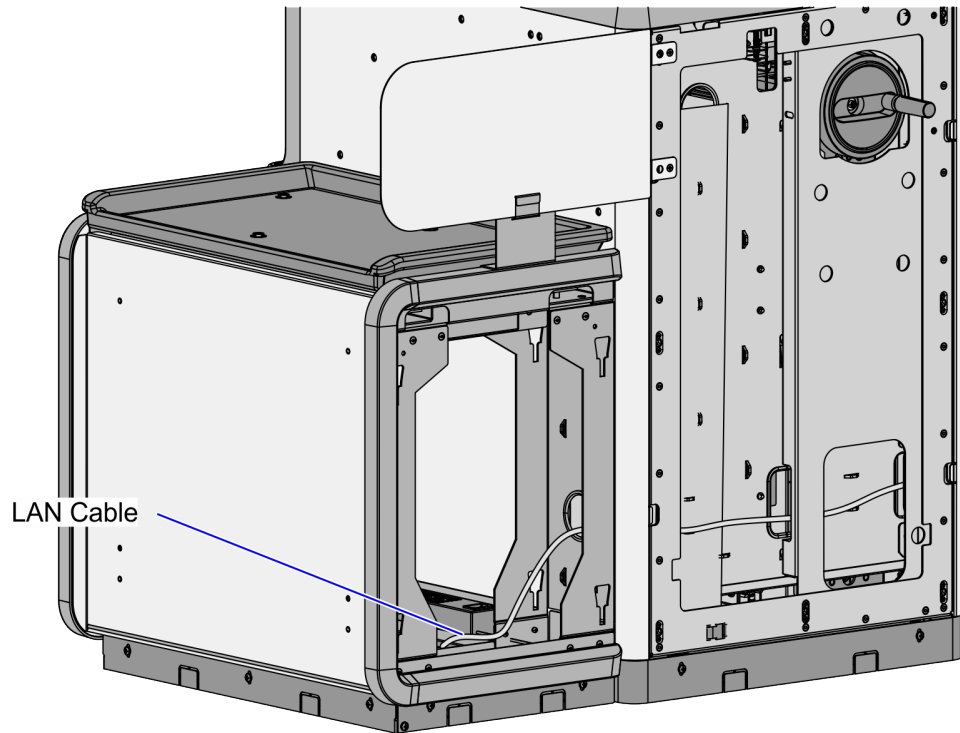
**i Note**

Pass the cable through cable clamps and secure the cable on the bridge lances using cable ties.



CCP-82470

2. Continue to route the cable into Bagwell through the left side exit hole and out through the bottom cable exit hole of the Bagwell.



CCP-82468

3. Connect the cable to the PoE Switch.

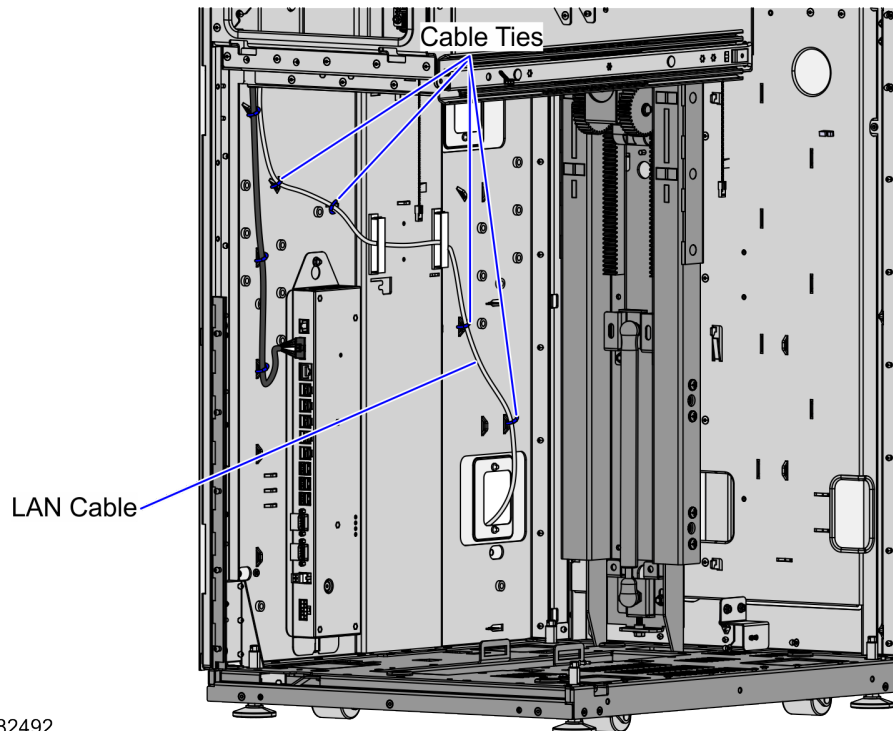
## Routing the LAN Cable: Right-Hand Unit

To route the LAN Cable, follow these steps:

1. From the corner cable access hole, route the cable down the Core Cabinet wall and through the right cable exit hole, as shown in the image below.

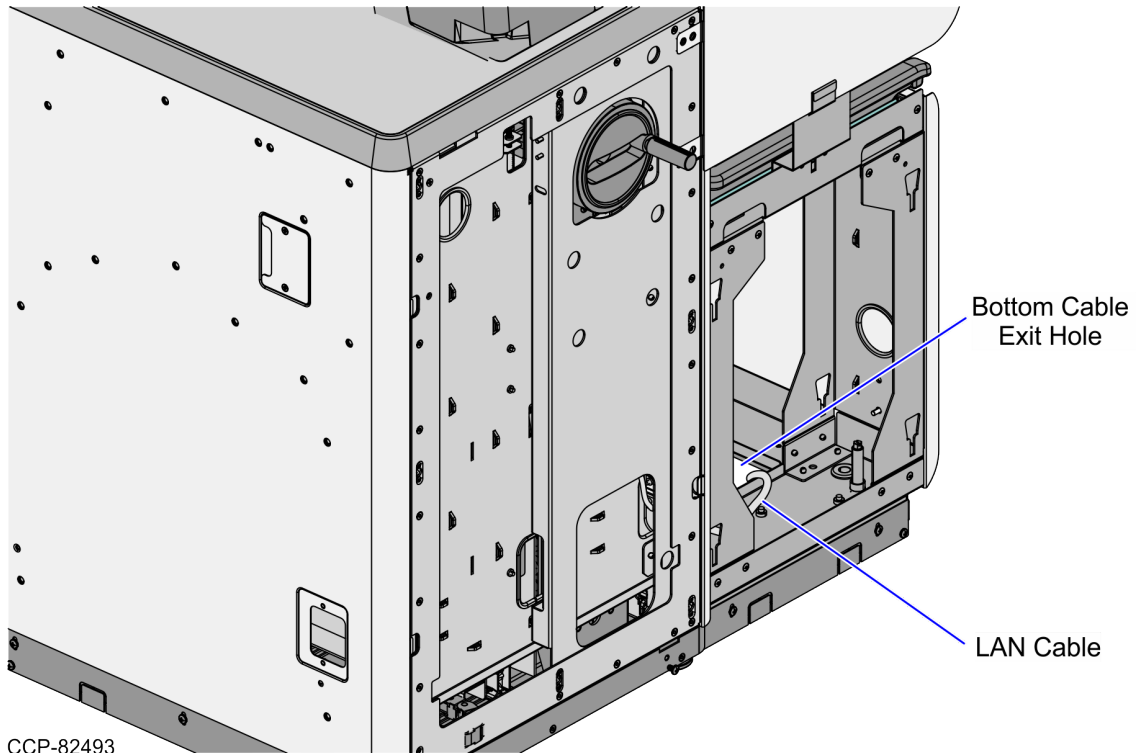
**i Note**

Pass the cable through cable clamps and secure the cable on the bridge lances using cable ties.



CCP-82492

2. Continue to route the cable to the Bagwell and out through the bottom cable exit hole.

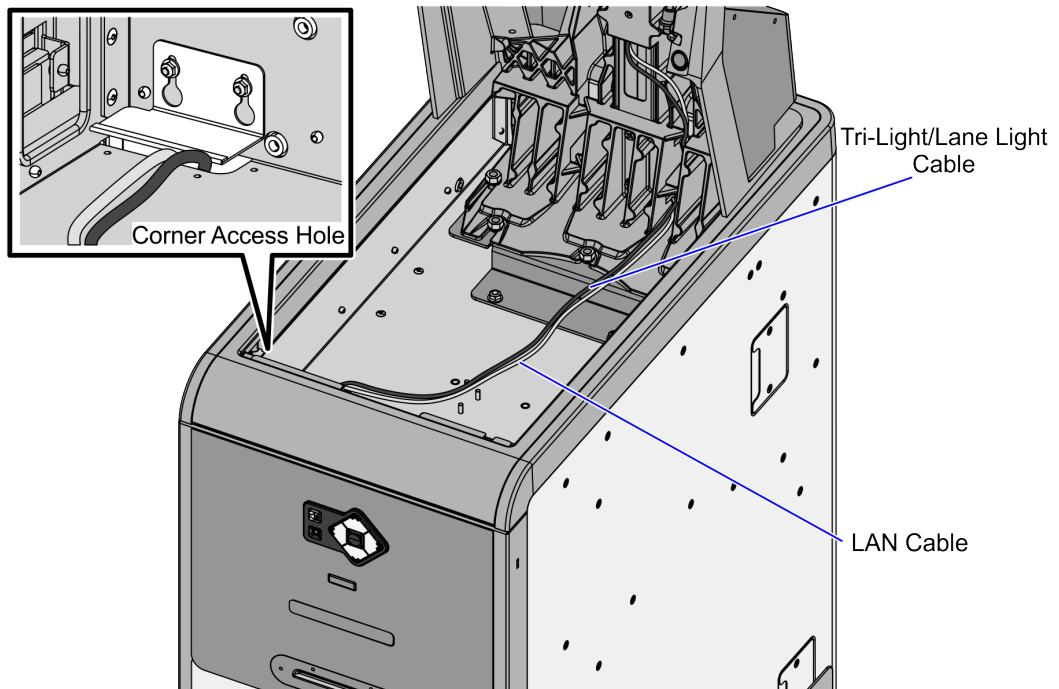


3. Connect the cable to the PoE Switch.

## Routing the Cables: 7360 R6-C (Card Only)

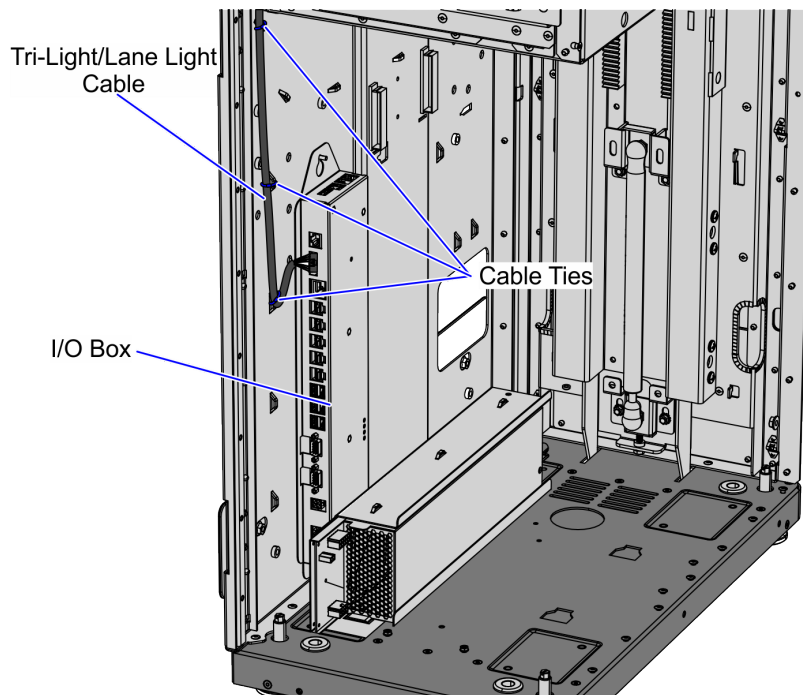
To route the Tri-Light/Lane Light Cable and LAN Cable in the R6-C Card Only unit, follow these steps:

1. Do the following:
  - a. From the Tower Frame pole duct, route the Tri-Light/Lane Light Cable and the LAN Cable down through the built-in hooks inside the Tower Frame.
  - b. Route the cables down the Scanner Bucket floor. Use cable ties to secure the cable on the bridge lances.
  - c. Secure the cables to the anchor using a cable tie.



CCP-84174

2. Route the Tri-Light/Lane Light Cable by doing the following:
  - a. From the corner cable access hole, route the cable down the Core Cabinet wall and use cable ties to secure the cables on the bridge lances.
  - b. Connect the cable to the Tri-Light/Lane Light port of the I/O Box.



CCP-82463

3. Route the LAN Cable. Depending on the unit configuration, refer to the following:
  - [Routing the LAN Cable: No-Bag on the next page](#)
  - [Routing the LAN Cable: Left-Hand Unit on page 46](#)
  - [Routing the LAN Cable: Right-Hand Unit on page 48](#)

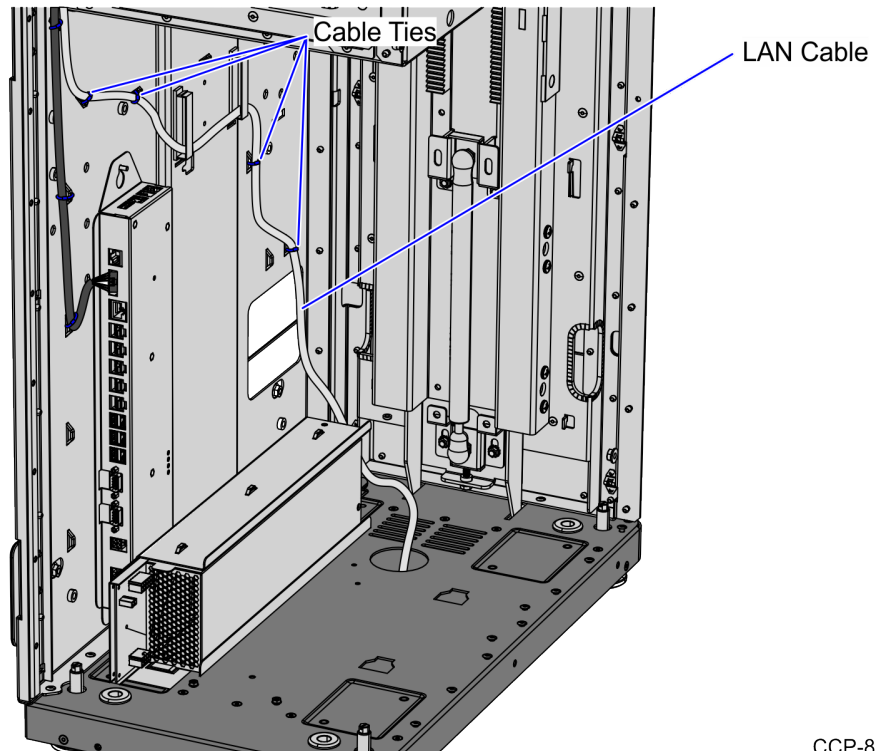


## Routing the LAN Cable: No-Bag

To route the LAN Cable, follow these steps:

1. From the corner cable access hole, route the cable down the Core Cabinet wall and down the bottom exit hole, as shown in the image below.

**i Note**  
Pass the cable through cable clamps and secure the cable on the bridge lances using cable ties.



CCP-82489

2. Connect the cable to the PoE Switch.

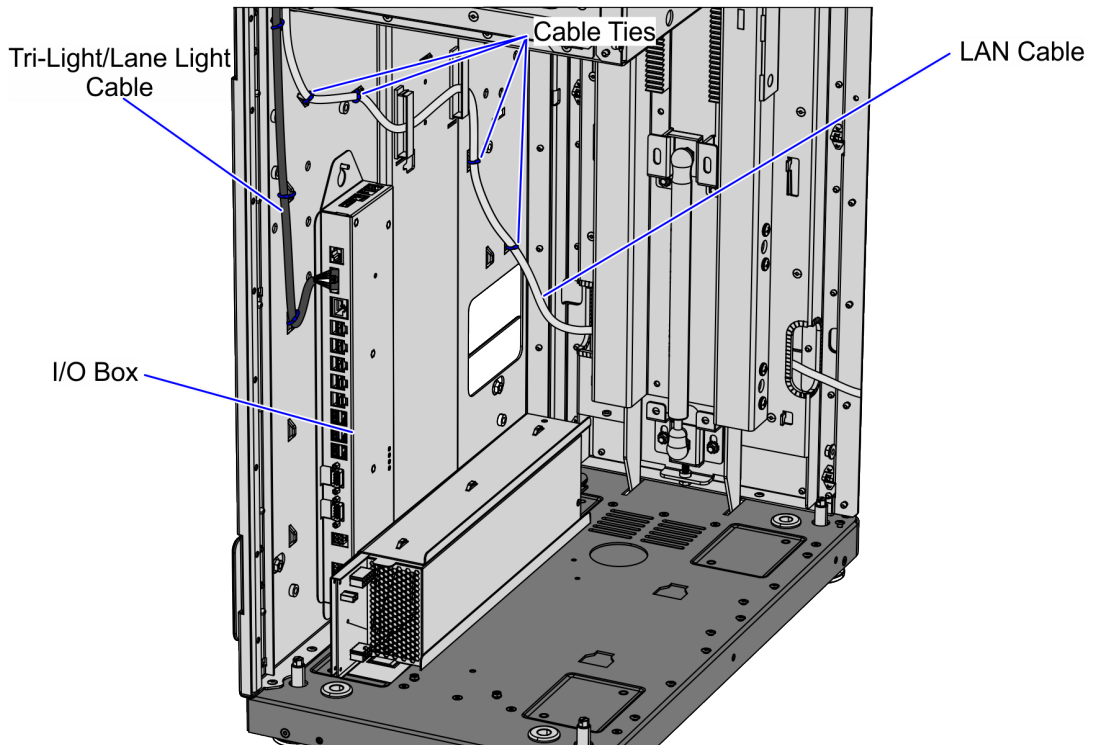
## Routing the LAN Cable: Left-Hand Unit

To route the LAN Cable, follow these steps:

1. From the corner cable access hole, route the cable down the Core Cabinet wall and through the cable access hole, as shown in the image below.

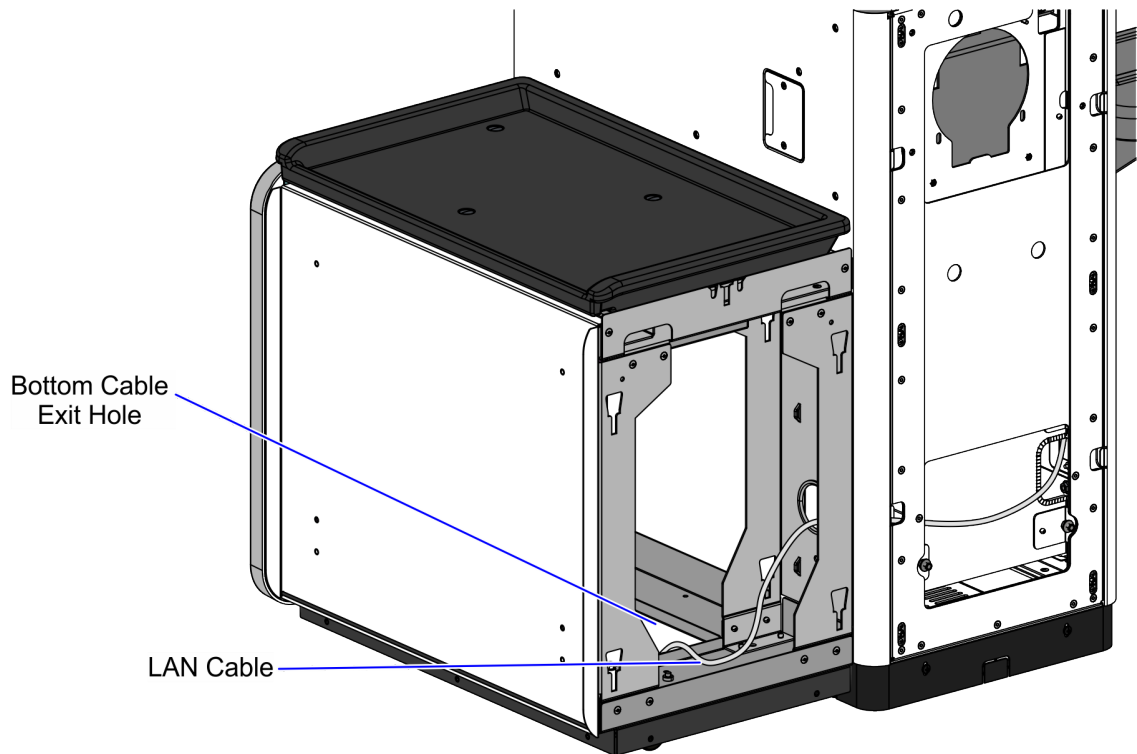
**i Note**

Pass the cable through cable clamps and secure the cable on the bridge lances using cable ties.



CCP-82453

2. Continue to route the cable into the Bagwell through the left side exit hole and out through the bottom cable exit hole of the Bagwell.



CCP-82461

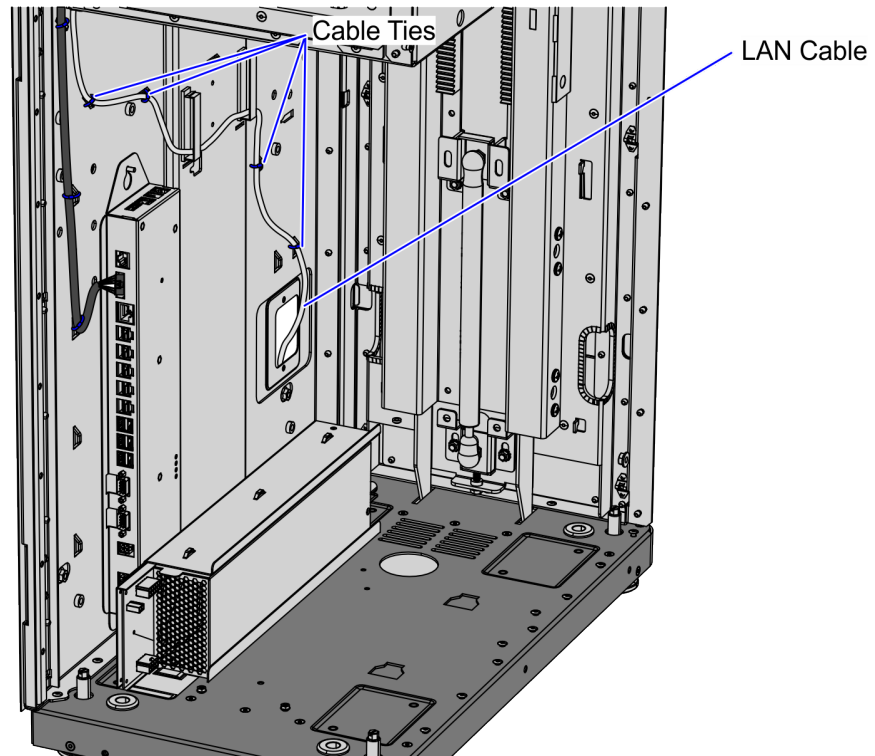
3. Connect the LAN Cable to the PoE Switch.

## Routing the LAN Cable: Right-Hand Unit

To route the LAN Cable, follow these steps:

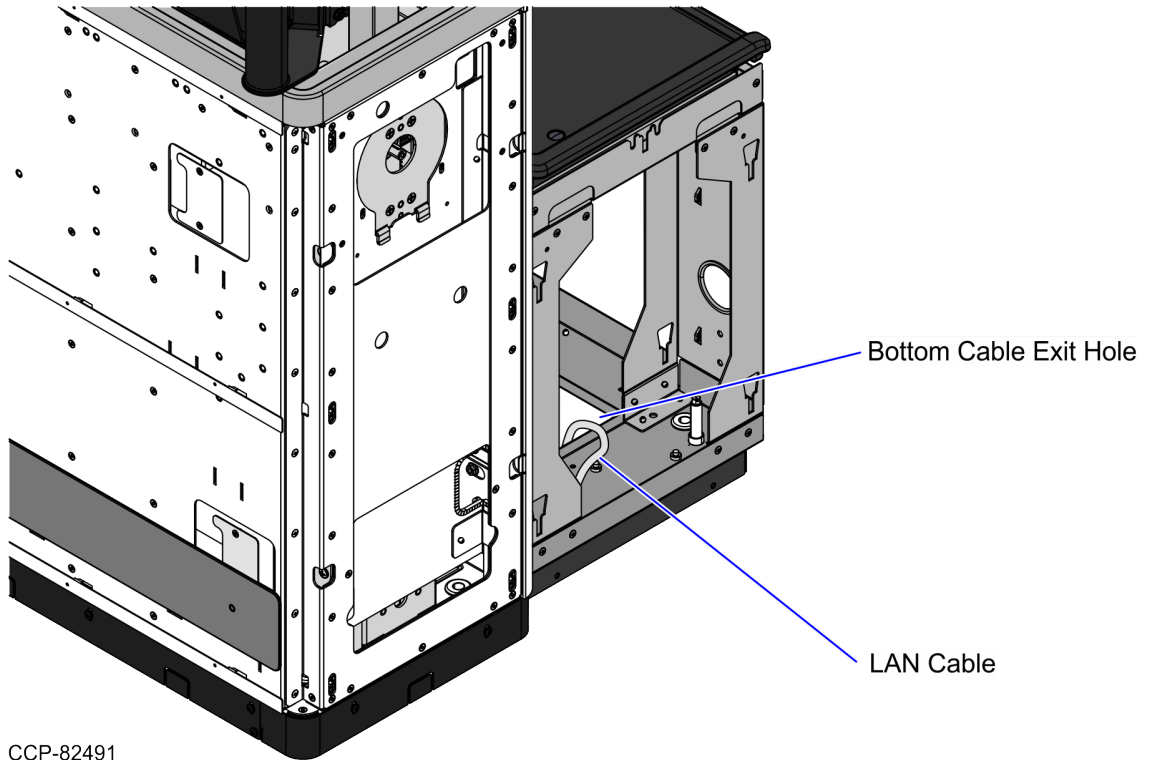
1. From the corner cable access hole, route the cable down the Core Cabinet wall and through the right side exit hole, as shown in the image below.

**i Note**  
Pass the cable through cable clamps and secure the cable on the bridge lances using cable ties.



CCP-82490

2. Continue to route the cable to the Bagwell and out through the bottom cable exit hole.



CCP-82491

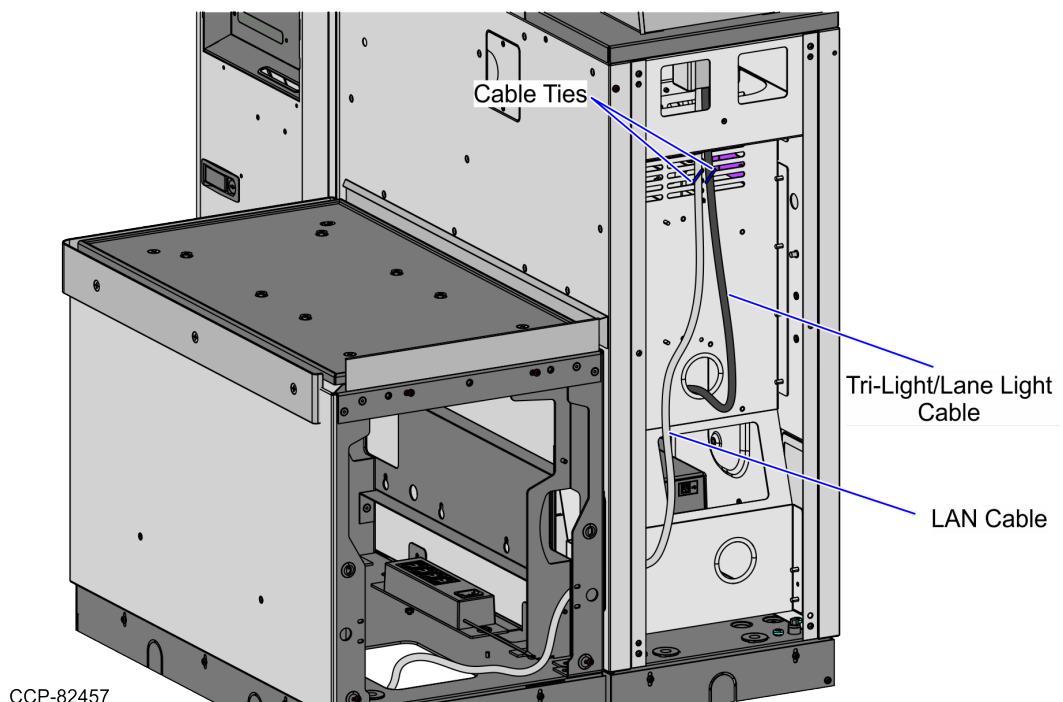
3. Connect the cable to the PoE Switch.

## Routing the Cables: 7357 R6LN Plus

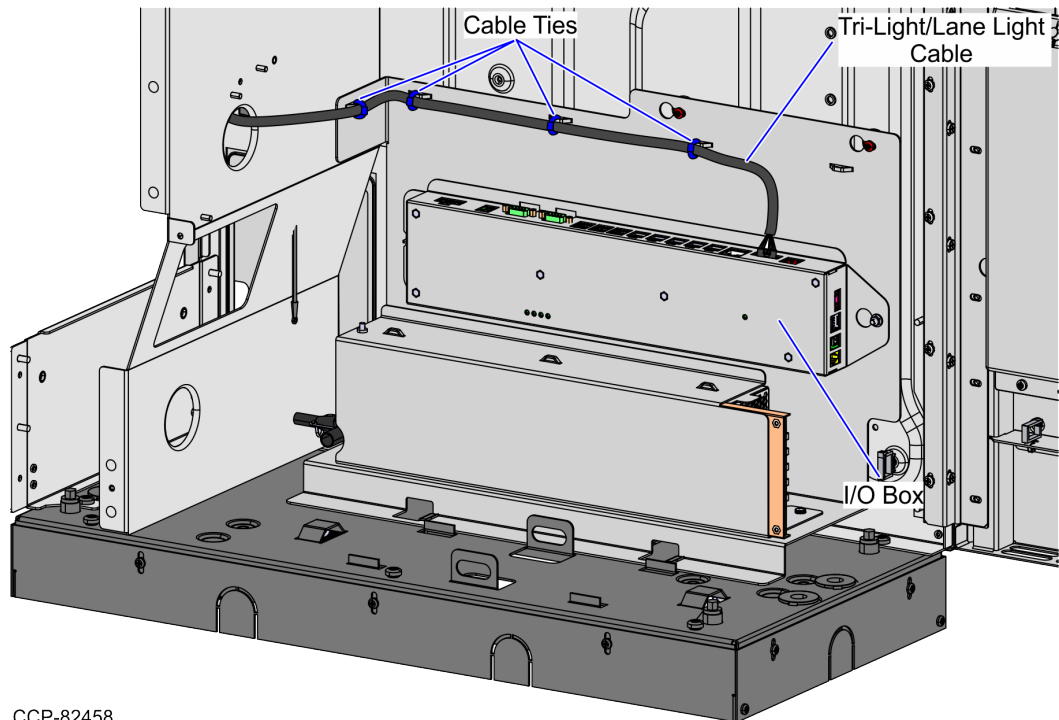
To route the Tri-Light/Lane Light Cable and the LAN Cable in the 7357 unit, follow these steps:

1. Route the Tri-Light/Lane Light Cable by doing the following:
  - a. From the Tri-Light/Lane Light Pole, route the cable at the rear of the unit down the cable access hole and into the Core Cabinet, as shown in the image below. Use a cable tie to secure the cable to the vent.

**i Note**  
Apply enough cable slack to prevent the cable from being stretched during installation or removal procedures.



- b. Connect the cable to the Tri-Light port of the I/O Box, as shown in the image below.
- c. Secure the cable to the lance bridges using cable ties.



CCP-82458

2. Route the LAN Cable. Depending on the unit configuration, refer to the following:
  - [No-Bag Unit: 7357 R6LN Plus on the next page](#)
  - [Left-Hand Unit: 7357 R6LN Plus on page 54](#)
  - [Right-Hand Unit: 7357 R6LN Plus on page 55](#)

## No-Bag Unit: 7357 R6LN Plus

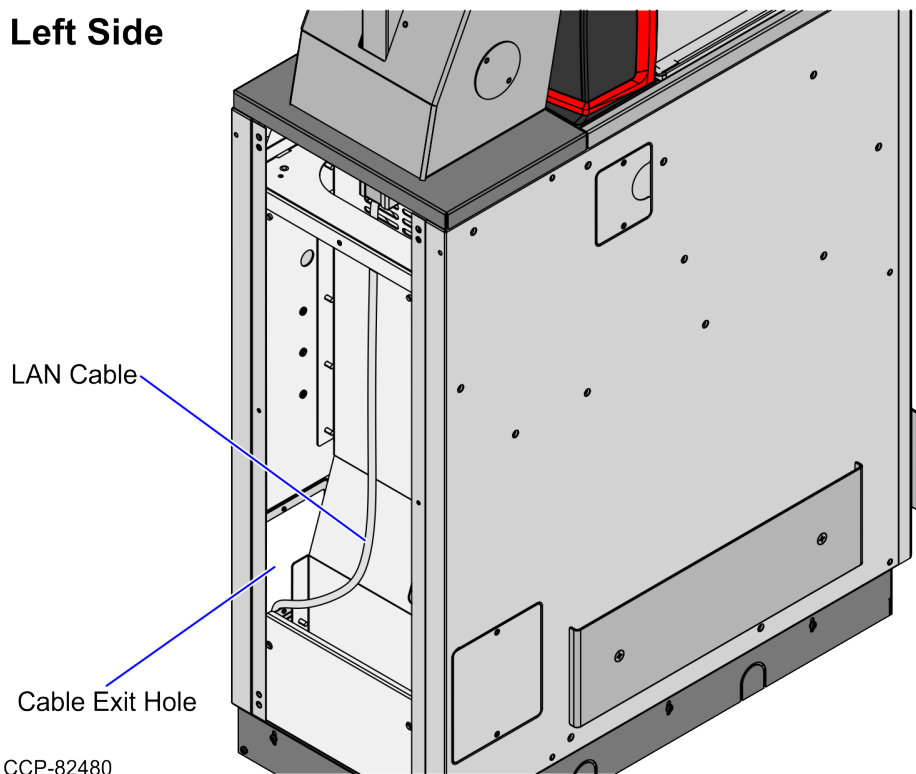
To route the LAN Cable, follow these steps:

1. From the Tri-Light/Lane Light Pole, route the cable down the rear of the Core Cabinet and out through the side cable exit hole. Use a cable tie to secure the cable to the vent.

**i Note**  
Ensure that there is enough cable slack to avoid cables from being stretched during installation or removal procedures.

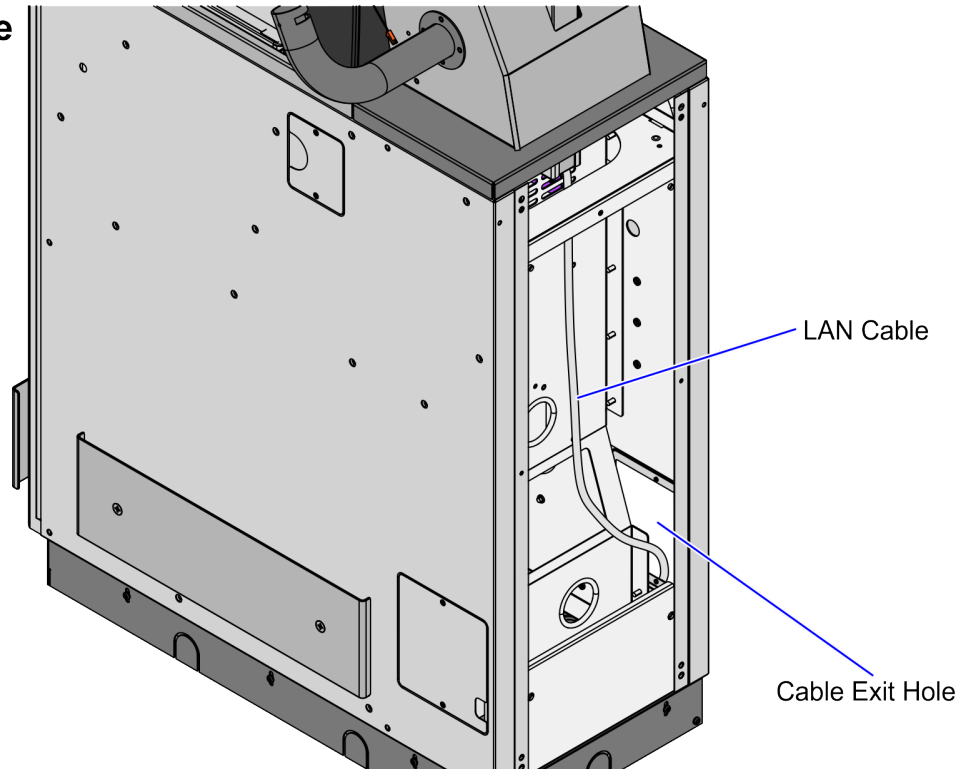
**i Note**  
The LAN Cable can exit either through the left or the right side cable exit hole depending on the customer's preference.

### Left Side





**Right Side**



CCP-82481

2. Connect the cable to the PoE Switch.

## Left-Hand Unit: 7357 R6LN Plus

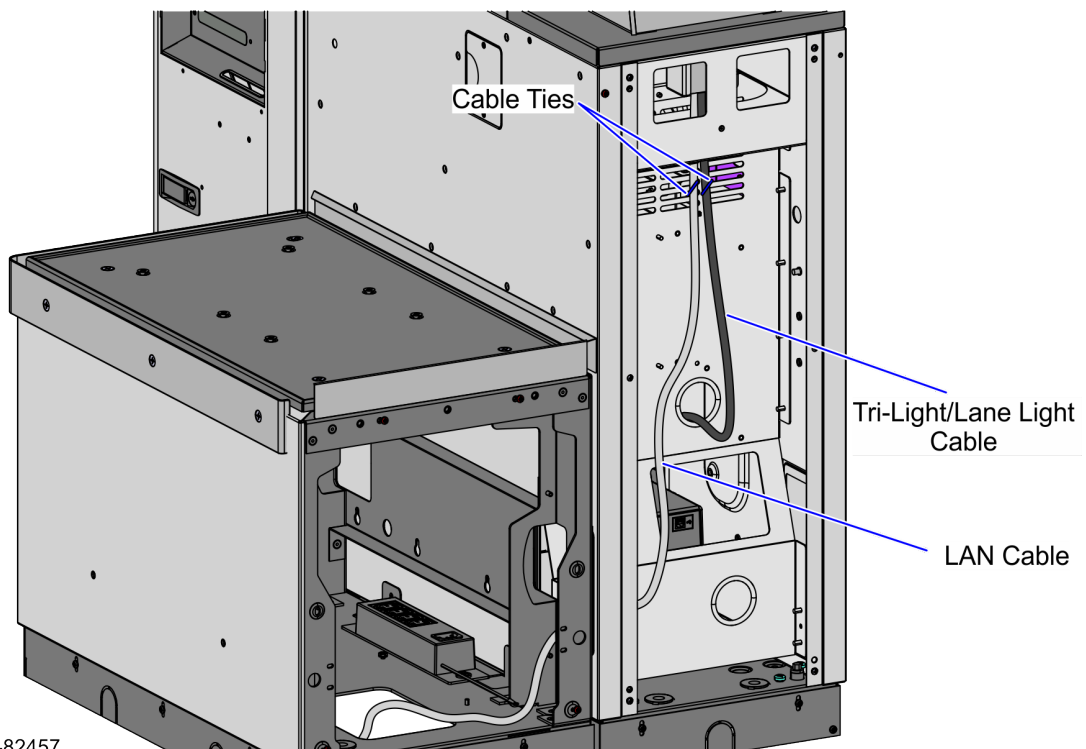
To route the LAN Cable, follow these steps:

1. From the Tri-Light/Lane Light Pole, route the cable down the rear of the Core Cabinet. Use a cable tie to secure the cable to the vent.

**i Note**

Ensure that there is enough cable slack to avoid cables from being stretched during installation or removal procedures.

2. Continue to route the cable through the left side cable exit hole and into the Bagwell.
3. Pass the cable through the bottom cable exit hole of the Bagwell.



4. Connect the cable to the PoE Switch.

## Right-Hand Unit: 7357 R6LN Plus

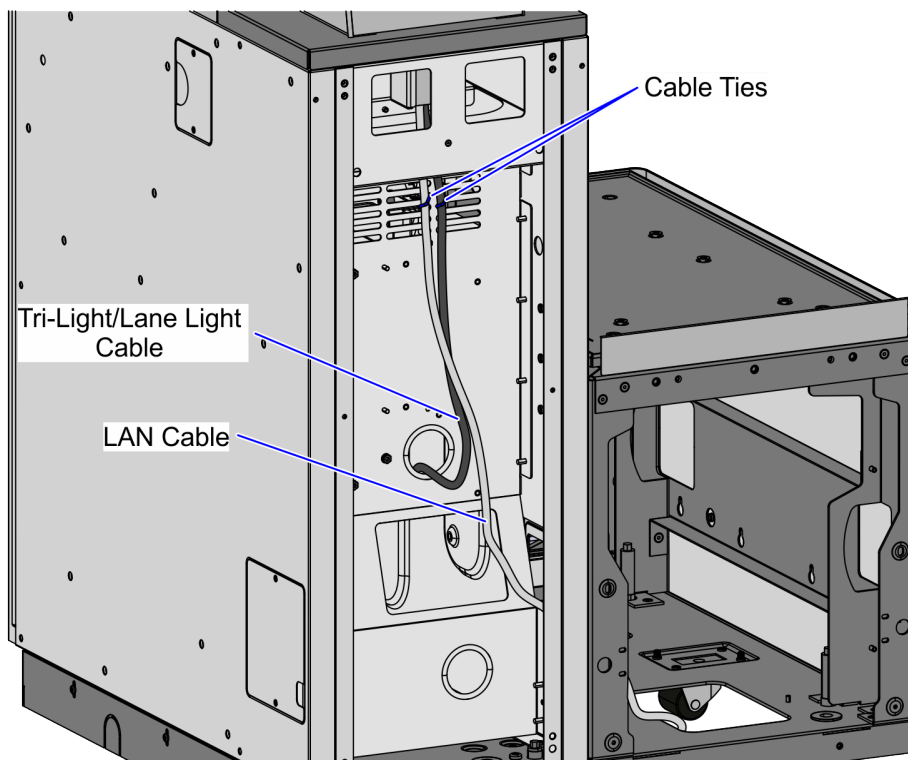
To route the LAN Cable, follow these steps:

1. From the Tri-Light/Lane Light Pole, route the cable down the rear of the Core Cabinet. Use a cable tie to secure the cable to the vent.

**i Note**

Ensure that there is enough cable slack to avoid cables from being stretched during installation or removal procedures.

2. Continue to route the cable out through the right side cable exit hole and into the Bagwell.
3. Pass the cable through the bottom cable exit hole of the Bagwell.



CCP-82483

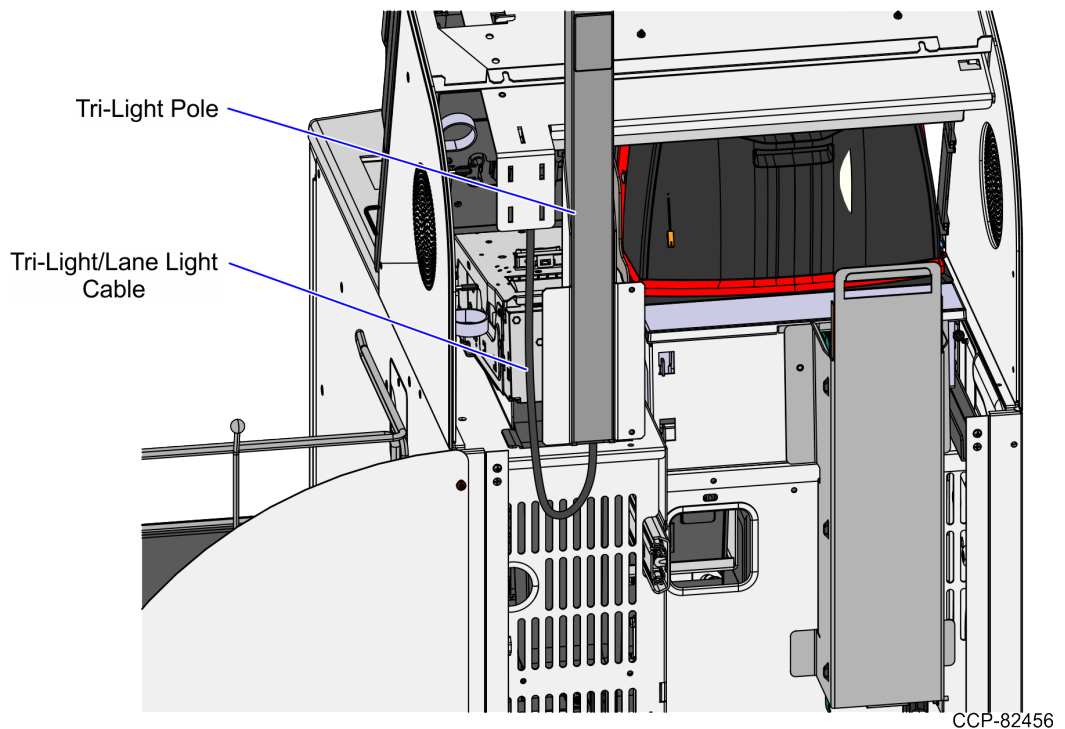
4. Connect the cable to the PoE Switch.

## Routing the Cables: 7358 R6L Plus

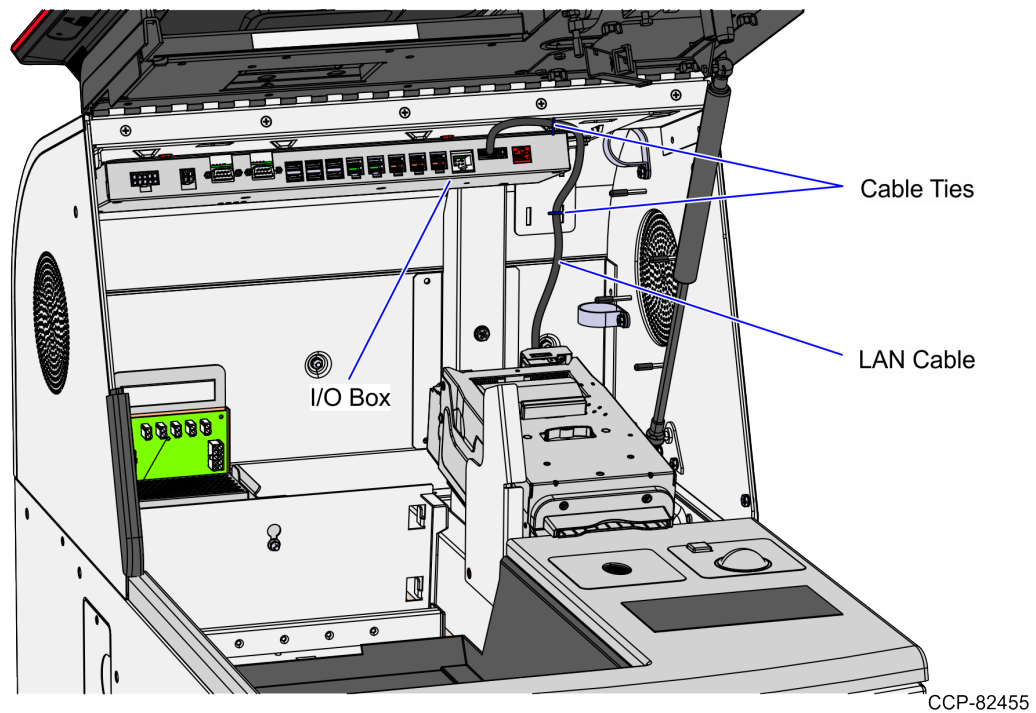
To route the Tri-Light/Lane Light Cable and the LAN Cable in the 7358 unit, follow these steps:

1. Route the Tri-Light/Lane Light Cable by doing the following:
  - a. From the Tri-Light/Lane Light Pole, route the cable up into the Upper Cabinet.

**Note**  
Apply enough cable slack to prevent the cable from being stretched during installation or removal procedures.



- b. Secure the cable to the Upper Cabinet frame using cable ties.



- c. Connect the cable to the Tri-Light/Lane Light port of the I/O Box.
- d. Route the LAN Cable. Depending on the unit configuration, refer to the following:
- [No-Bag Unit: 7358 R6L Plus on the next page](#)
  - [Left-Hand Unit: 7358 R6L Plus on page 60](#)
  - [Right-Hand Unit: 7358 R6L Plus on page 61](#)

## No-Bag Unit: 7358 R6L Plus

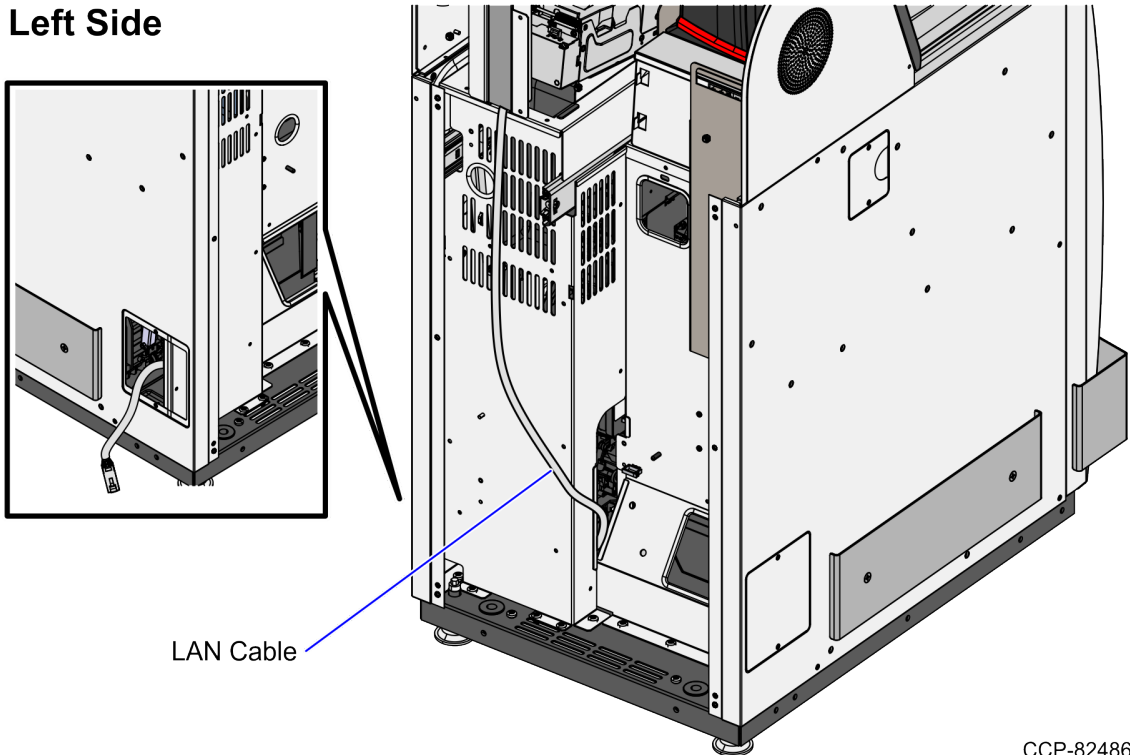
To route the LAN Cable, follow these steps:

1. From the Tri-Light/Lane Light Pole, route the cable down the rear of the Core Cabinet and out through the side cable exit hole.

**i Note**

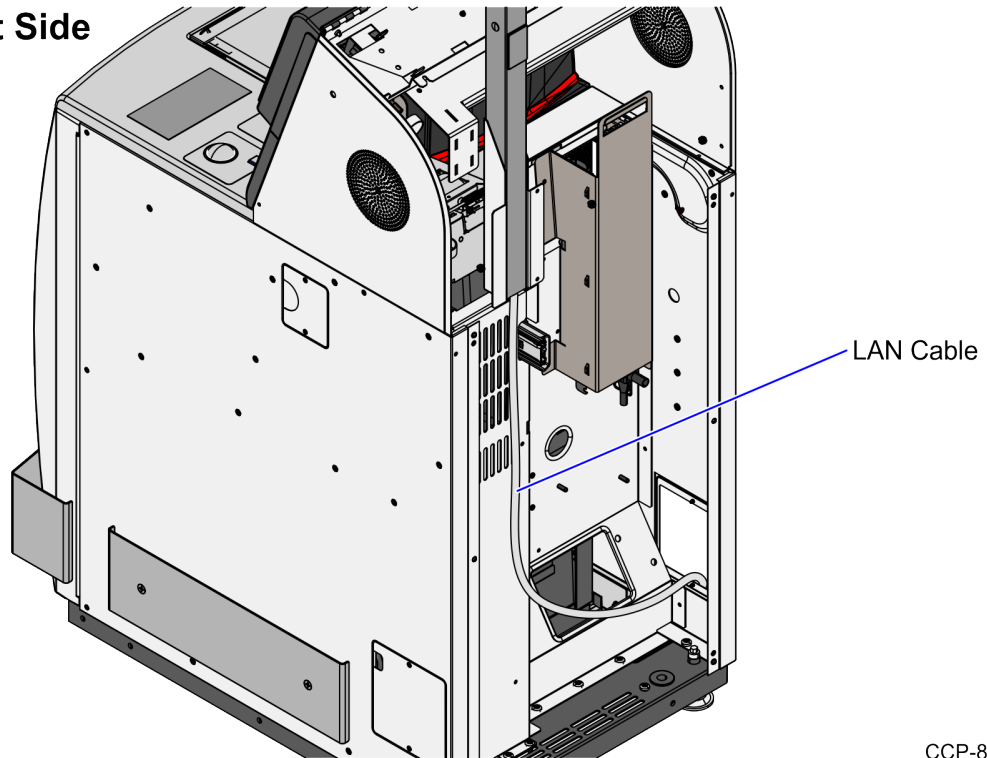
The LAN Cable can exit either through the left or the right side cable exit hole depending on the customer's preference.

### Left Side



CCP-82486

**Right Side**



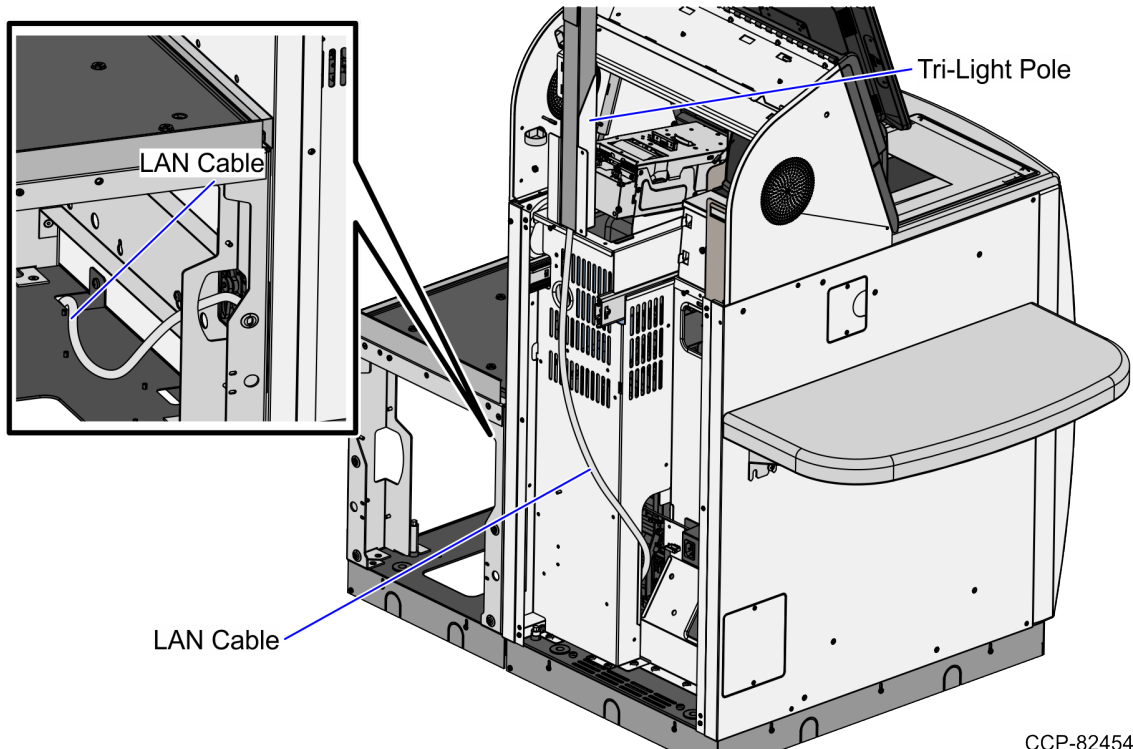
CCP-82485

2. Connect the cable to the PoE Switch.

## Left-Hand Unit: 7358 R6L Plus

To route the LAN Cable, follow these steps:

1. From the Tri-Light/Lane Light Pole, route the cable down the rear of the Core Cabinet, through the side cable exit hole and into the Bagwell



CCP-82454

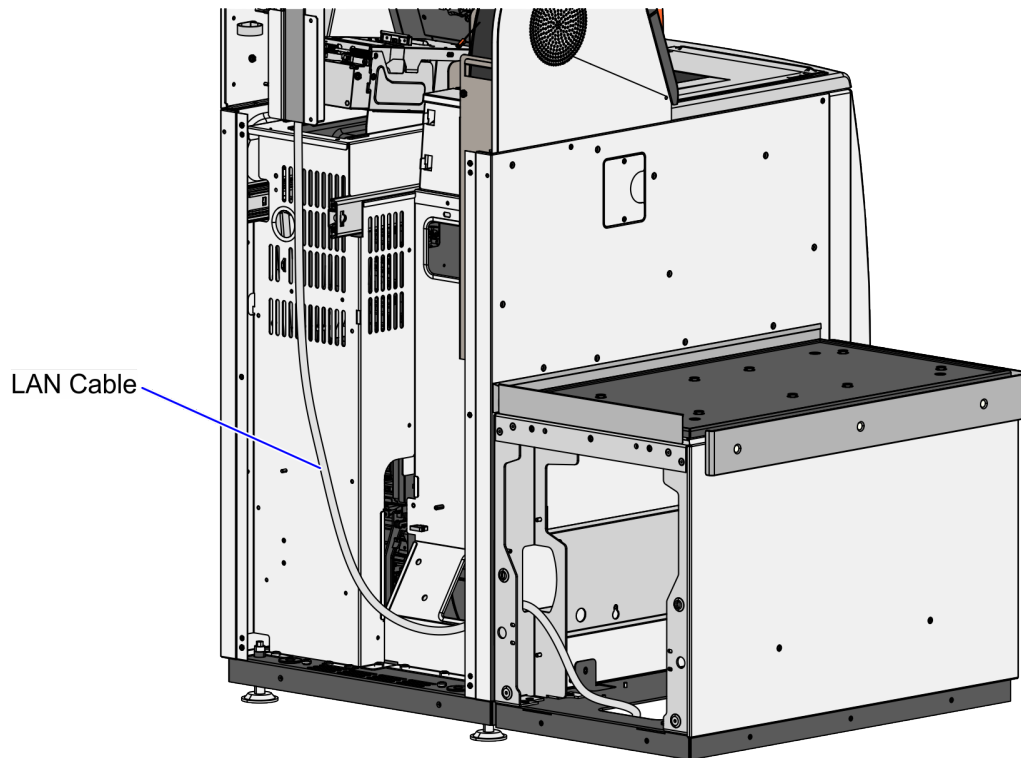
2. Pass the cable through the bottom cable exit hole of the Bagwell.
3. Connect the cable to the PoE Switch.



## Right-Hand Unit: 7358 R6L Plus

To route the LAN Cable, follow these steps:

1. From the Tri-Light/Lane Light Pole, route the cable down the rear of the Core Cabinet, through the side cable exit hole and into the Bagwell



CCP-82484

2. Pass the cable through the bottom cable exit hole of the Bagwell.
3. Connect the cable to the PoE Switch.

# Configuring the Camera Settings

To configure the camera settings, follow these steps:

1. Connect the STP Ethernet Cable from the Tri-Light IP Camera Port to a PoE Switch.
2. Connect another LAN cable from the host to the same PoE Switch.
3. Access the camera view by doing the following:
  - a. Enter the IP Address of the network camera in the address bar and press **Enter** to access the login interface. The default IP address is 192.168.12.100.



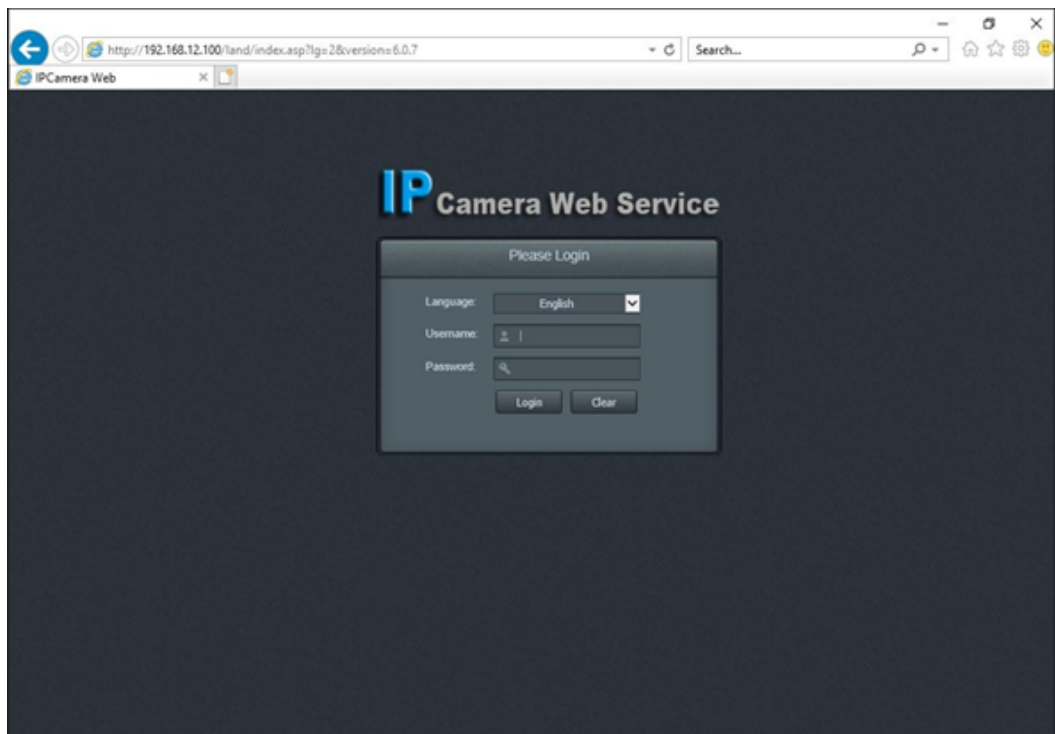
## Note

The host PC must have the same network ID with the camera device.

- b. Enter the following default login credentials:

Username: **admin**

Password: **admin**

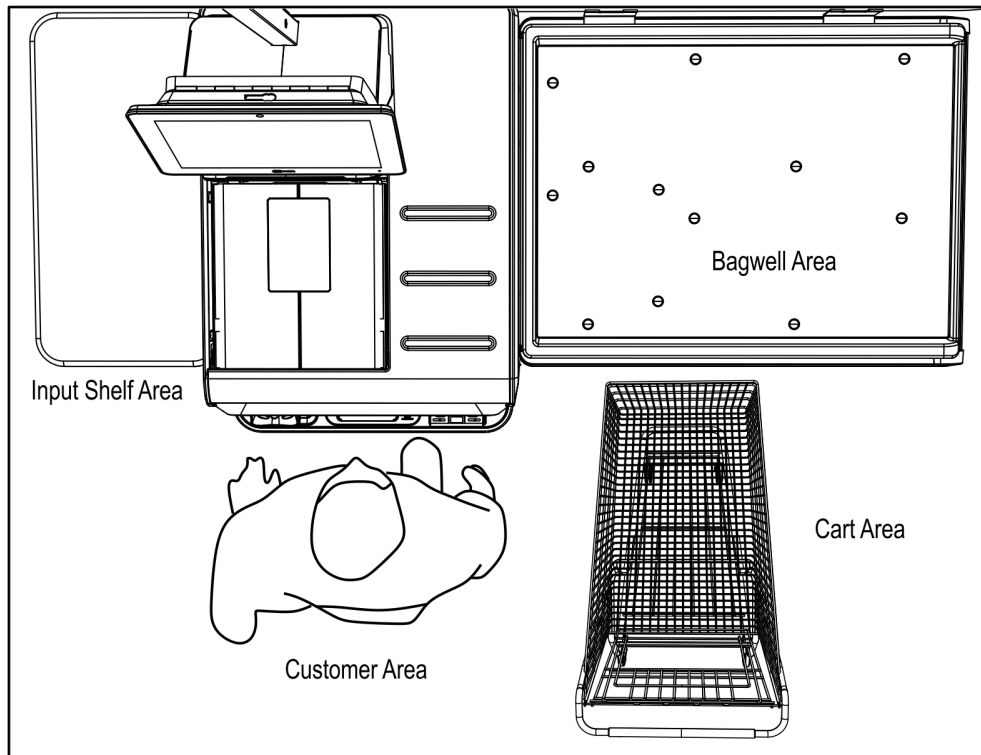


4. Adjust the view of the camera to ensure that the following conditions are met:
  - Customer's normal reach to Input and Bagwell areas are visible.
  - Customer area is visible.
  - Cart area is visible.

**i Note**

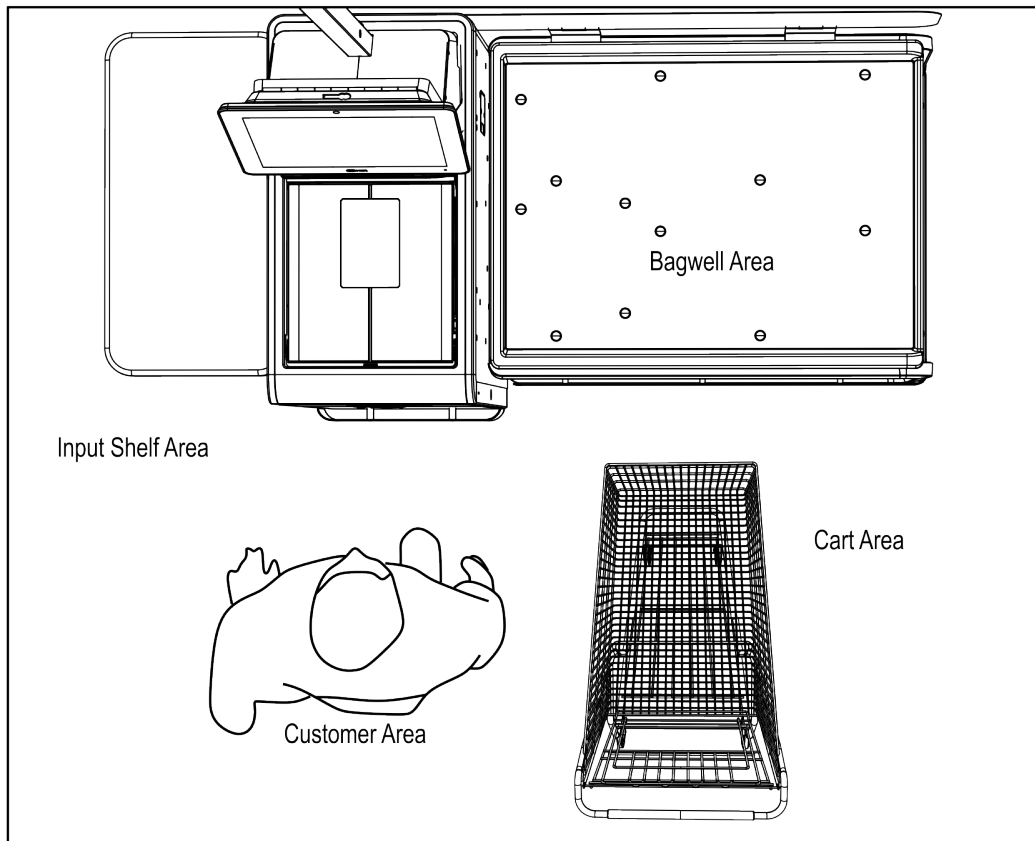
The image shows an example of an ideal camera view. For the purpose of illustration only, the image below shows a Right-hand (RH) unit.

**7360 R6-CFixed and Convertible**



CCP-76737

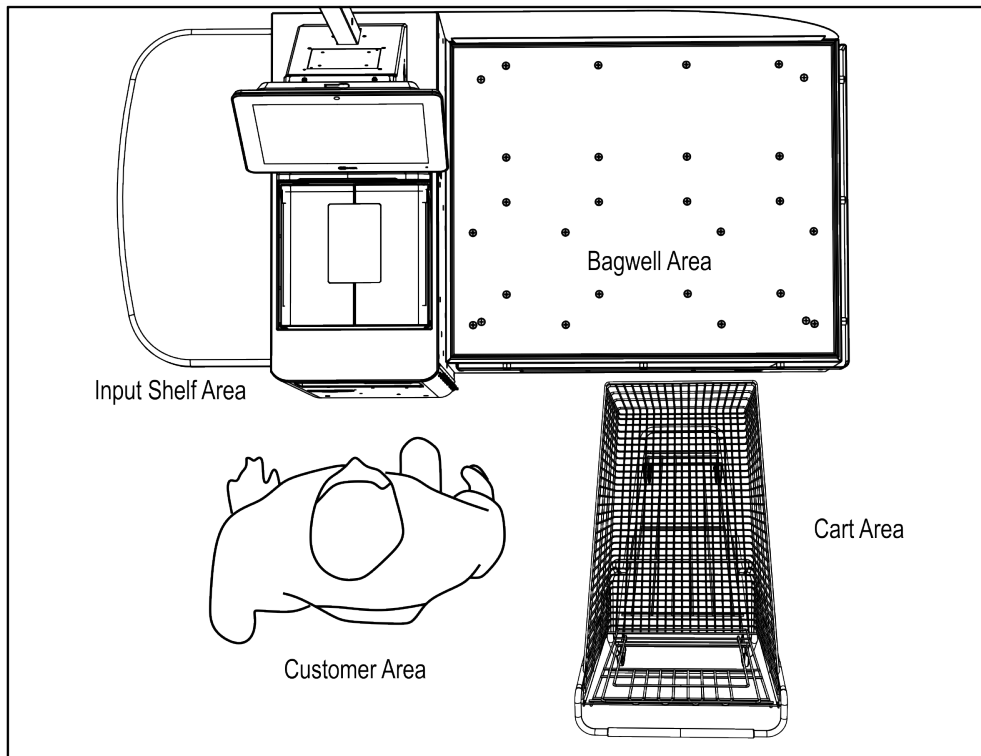
## 7360 R6-CCard Only



CCP-83452

Confidential and proprietary information of NCR Voyix Corporation.  
Unauthorized use, reproduction and/or distribution is strictly prohibited.

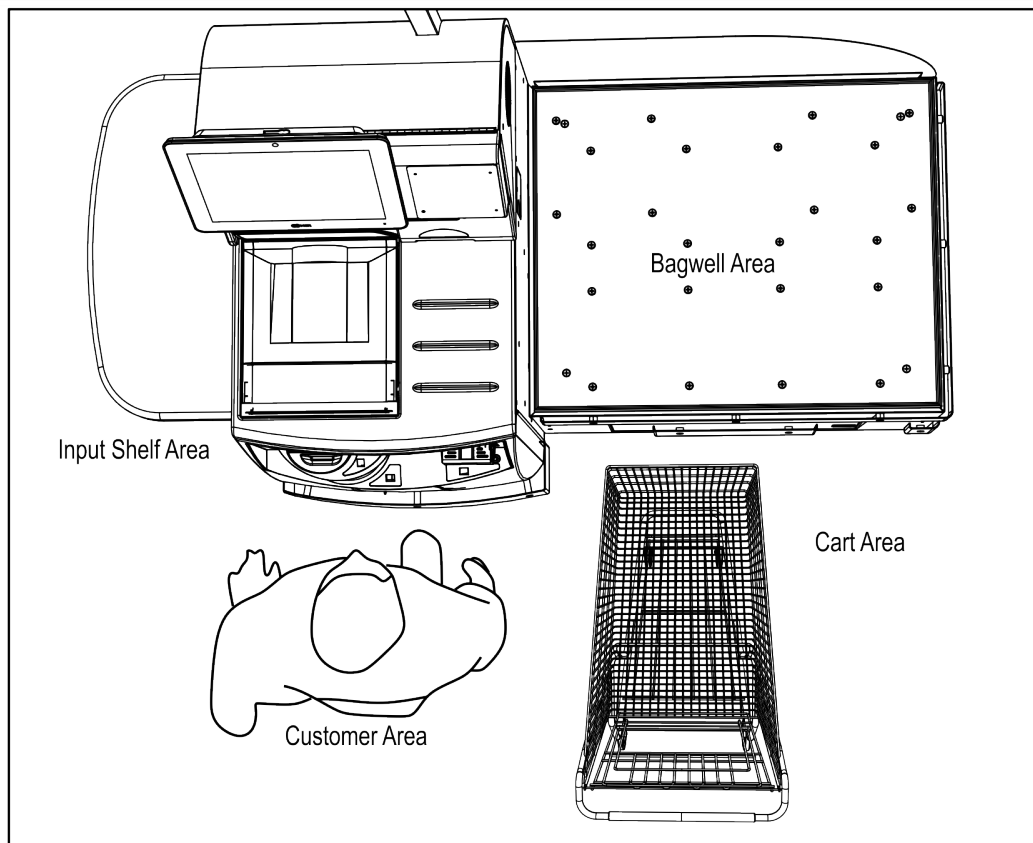
**7357 R6LN Plus**



CCP-83479

Confidential and proprietary information of NCR Voyix Corporation.  
Unauthorized use, reproduction and/or distribution is strictly prohibited.

## 7358 R6L Plus



CCP-83480



### Note

Ensure that the NCR Customer Helpdesk is informed when the Tri-Light/Lane Light with IP Camera is installed in the store.