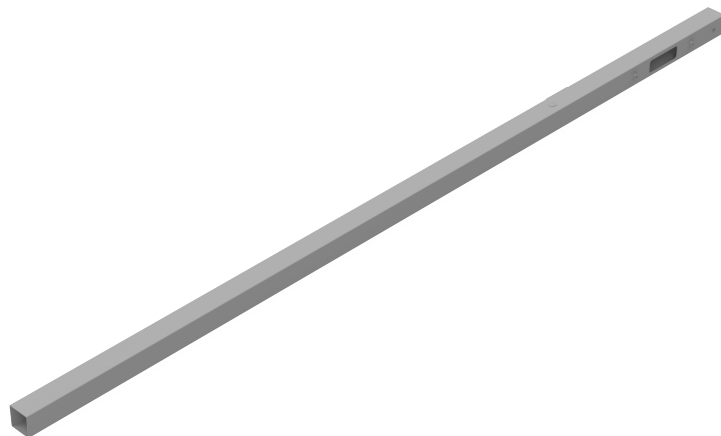




Kit Instructions

7360 (R6) Tri-Light/Lane Light Pole (1.5 m) with Cable



7360-K085

Issue A

The product described in this document is a licensed product of NCR Corporation.

NCR is a registered trademark of NCR Corporation. NCR FastLane SelfServ™ Checkout is a trademark of NCR Corporation in the United States and/or other countries. Other product names mentioned in this publication may be trademarks or registered trademarks of their respective companies and are hereby acknowledged.

The terms HDMI and HDMI High-Definition Multimedia Interface, and the HDMI Logo are trademarks or registered trademarks of HDMI Licensing LLC in the United States and other countries.

Where creation of derivative works, modifications or copies of this NCR copyrighted documentation is permitted under the terms and conditions of an agreement you have with NCR, NCR's copyright notice must be included.

It is the policy of NCR Corporation (NCR) to improve products as new technology, components, software, and firmware become available. NCR, therefore, reserves the right to change specifications without prior notice.

All features, functions, and operations described herein may not be marketed by NCR in all parts of the world. In some instances, photographs are of equipment prototypes. Therefore, before using this document, consult with your NCR representative or NCR office for information that is applicable and current.

Copyright © 2023

By NCR Corporation
Global Headquarters
864 Spring St. NW
Atlanta, GA 30308
United States
All Rights Reserved

Revision Record

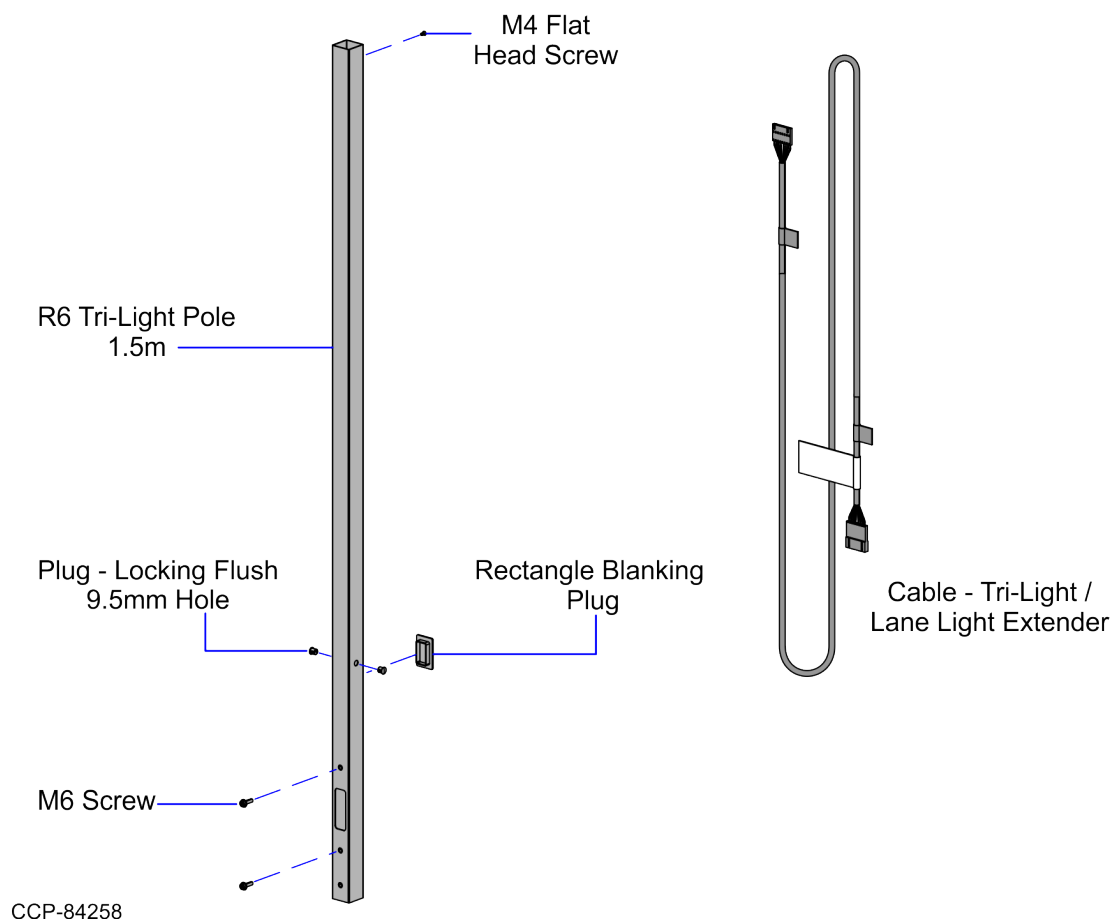
Issue	Date	Remarks
A	Nov 2023	First issue.

7360-K085 7360 (R6) Tri-Light/Lane Light Pole (1.5 m) with Cable

The 7360 (R6) Tri-Light/Lane Light Pole is a 1.5 meter long pole that allows the Tri-Light camera to capture a wide overhead view of the whole SelfServ Checkout unit with Bagwell configuration.

This publication provides procedures for installing a 1.5 meter long Tri-Light/Lane Light Pole to the NCR FastLane SelfServ™ Checkout (7360) unit.

Kit Contents



Part Number	Description
497-0535804	7360-K085 R6C Trilight Light Pole, 1.5 m Length, with Cable
006-8623599	Plug – Locking, Flush, 9.5 mm Hole, Black (2 pcs)
006-8624305	Rectangle Blanking Plug (42 x 23.8 mm)
006-8624498	Screw - M4 x 0.7 x 8 mm, Flat Head, Stainless
009-0006598	Screws M6 x 20 (2 pcs)
497-0527256	Cable - Trilight and Lane Light Extender, Long Pole, 140 in
497-0535781	Trilight Pole - R6, 1.5 meter length
* 497-0423108	Instructions Kit (Reference Sheet)

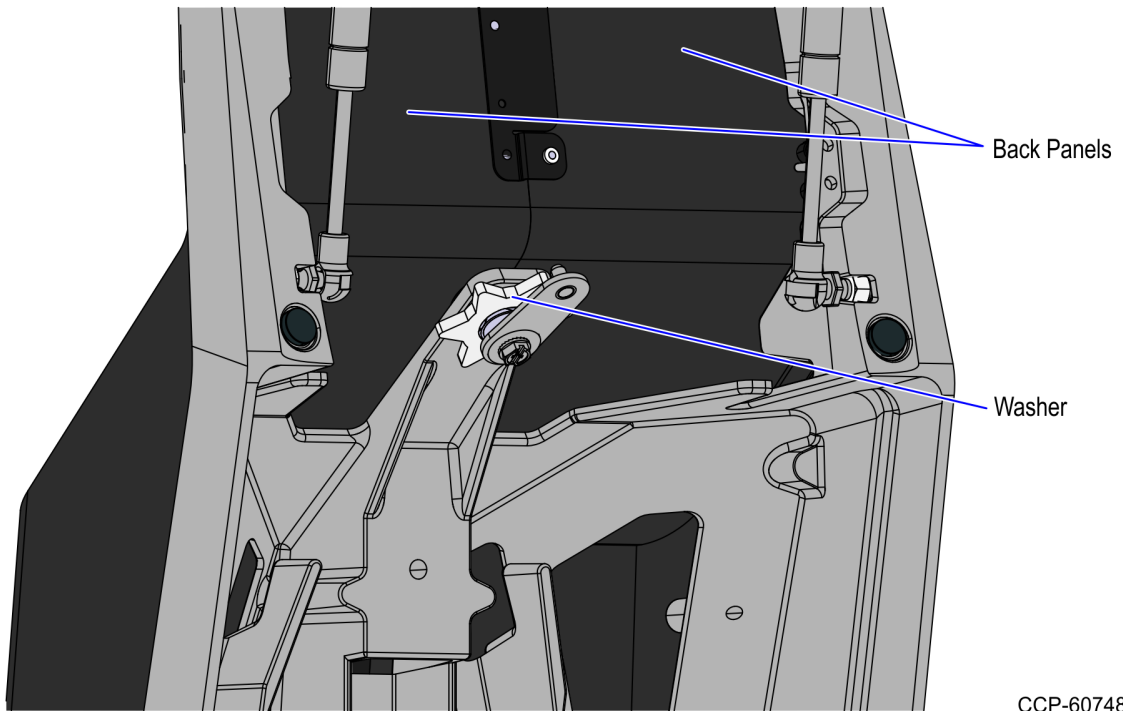
* Items marked with an asterisk are not called out on the image.

Installation Procedures

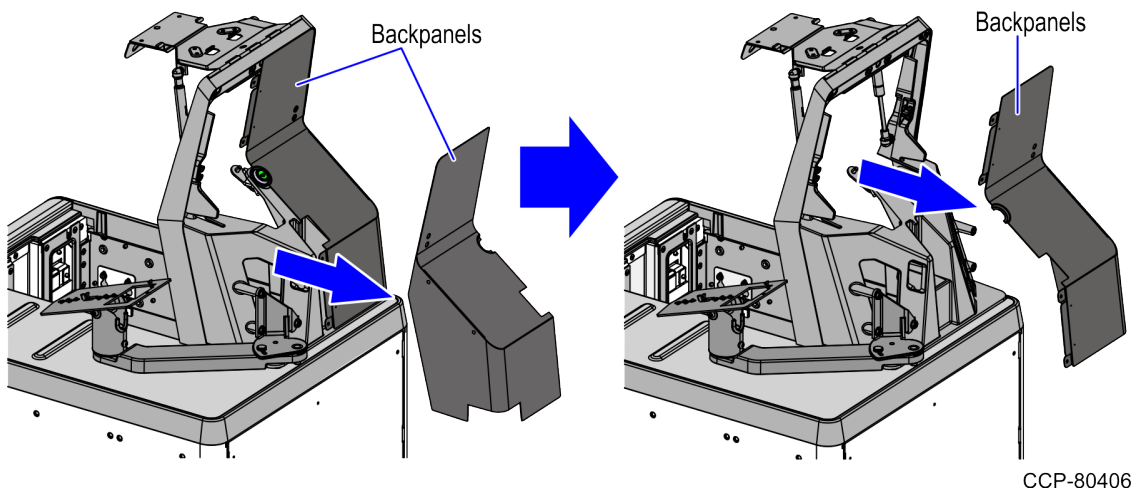
To install the 7360 (R6) Tri-Light/Lane Light Pole (1.5 m), follow these steps:

1. Turn off the NCR SelfServ Checkout software and hardware systems.
2. Do the following, if necessary:
 - a. Remove the existing Tri-Light/Lane Light Assembly. For more information, refer to either of the following procedures:
 - [Removing the Tri-Light/Lane Light \(R6\) on page 8.](#)
 - [Removing the Tri-Light/Lane Light with Camera Assembly on page 10](#)
 - b. Remove the existing Tri-Light/Lane Light Pole. For more information, refer [Removing Tri-Light/Lane Light Pole on page 12.](#)

3. Loosen the star-shaped washer around the keylock assembly.



4. Remove the two (2) back panels from the tower assembly.

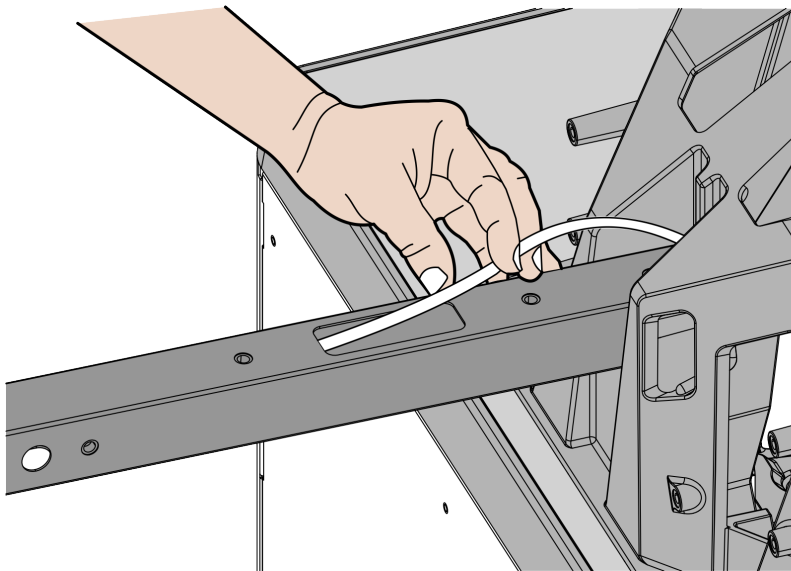


5. Insert the Tri-Light/Lane Light cable through the opening in the side of Tri-Light/Lane Light pole and route it out the top of the pole.

i Note

For the Tri-Light/Lane Light assembly without a camera, only the Tri-Light/Lane Light cable extender exist in the assembly.

Tri-Light	Destination Connection (Location)
Cable Extender	I/O Box (Tri-Light/Lane Light port)
Ethernet (LAN) cable extender	Ethernet (LAN)
I/O Box (Power) cable extender	I/O Box (Input Belt)



CCP-60749

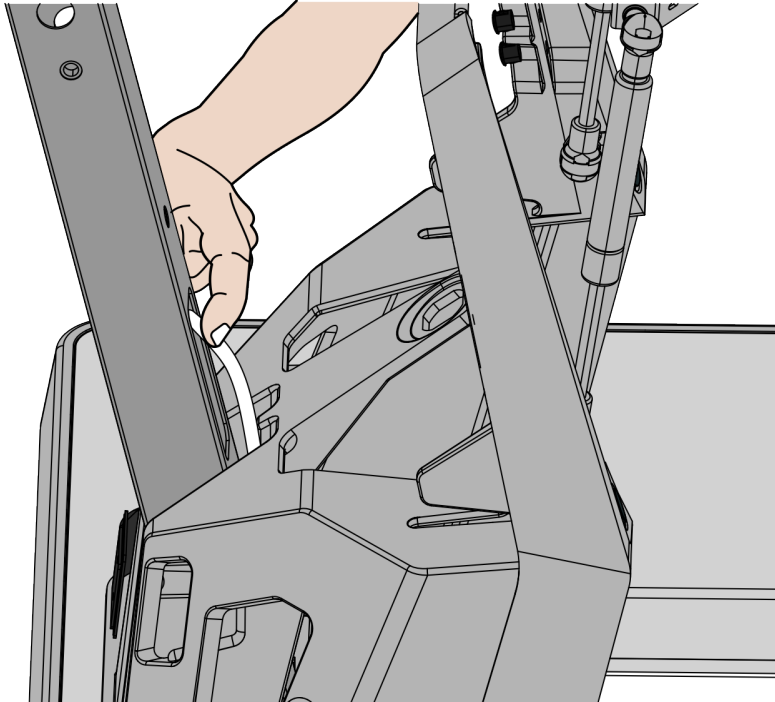
💡 Tip

To make routing the cable extender through the pole easier, first attach a weight (for example, a large bolt) to a long piece of string and drop the weighted end of the string through the Tri-Light/Lane Light pole. Once the string is threaded through the pole, tie the non-weighted end of the string around the cable connector and then pull the cable extender through the pole.

i Note

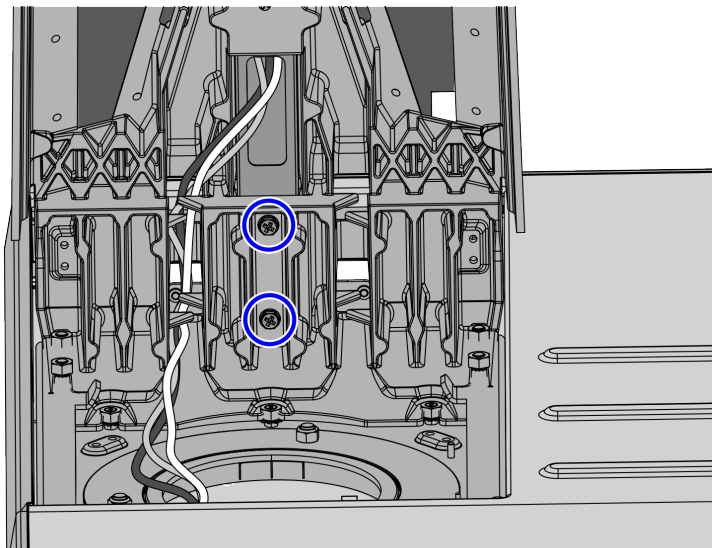
If installing a secondary display, route the display cables out of the smaller hole on the back of the pole.

6. Route the cables coming out of the unit so they align with the grooves and carefully insert the pole into the tower.



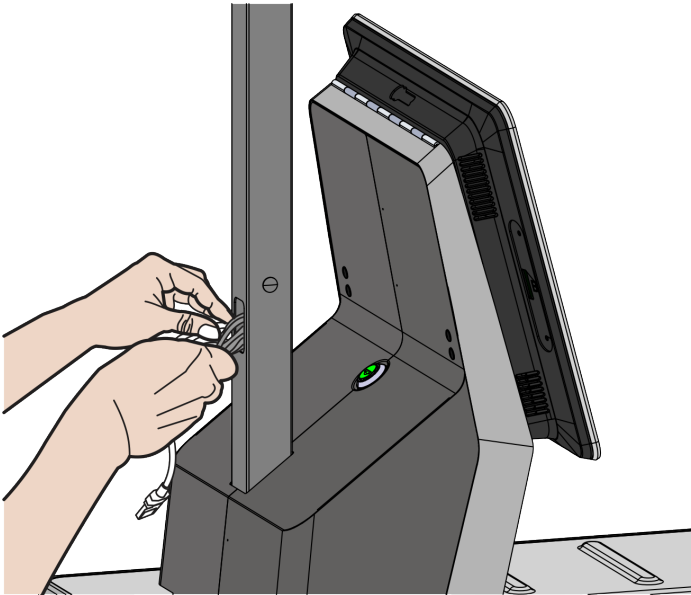
CCP-60750

7. Secure the pole to the tower with two (2) screws.



CCP-61150

8. Insert the excess cables into the opening on the Tri-Light/Lane Light pole so that the cables will not interfere with any other items.



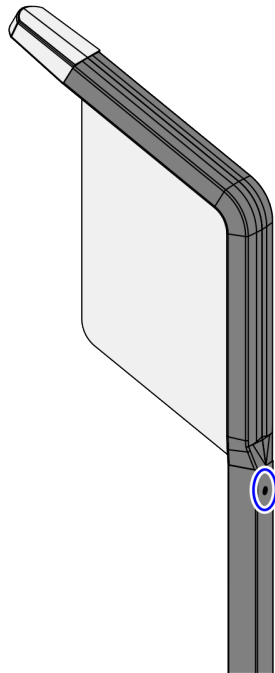
CCP-61149

To install a Tri-Light/Lane Light Assembly, refer to the Tri-Light/Lane Light Options section of the ***NCR FastLane SelfServ Checkout (7360) Hardware Service Guide (B005-0000-2378)***.

Removing the Tri-Light/Lane Light (R6)

To remove the Tri-Light/Lane Light Assembly, follow these steps:

1. Turn off the NCR SelfServ Checkout software and hardware systems.
2. Remove one (1) screw to detach the Tri-Light/Lane Light Assembly to the Tri-Light/Lane Light pole.

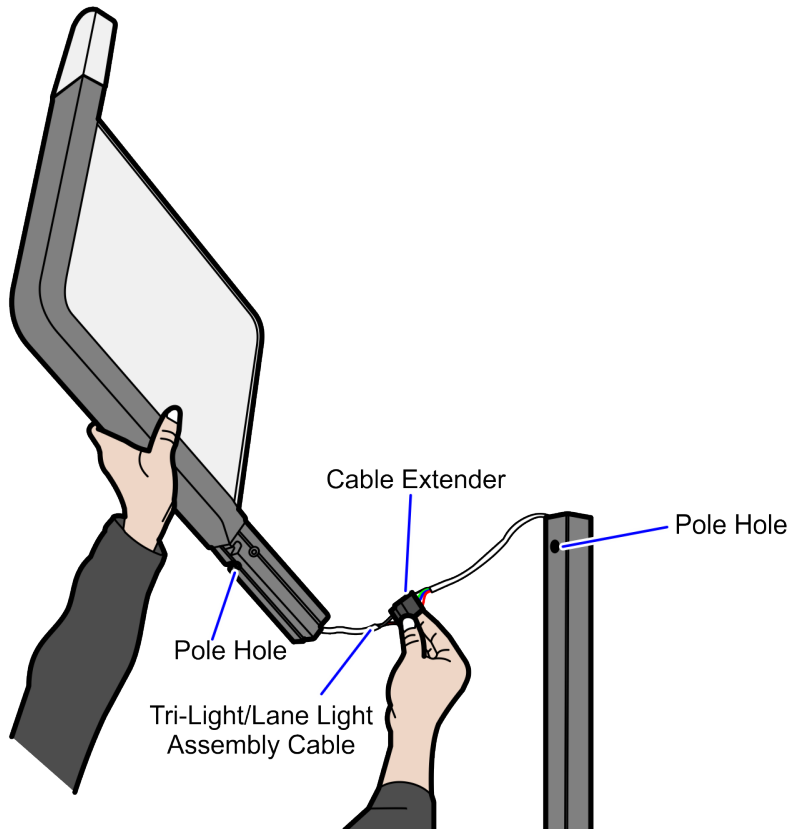


CCP-62078

3. Lift the Tri-Light/Lane Light Assembly and then disconnect the cables.

 **Tip**

Mark all cables as to where they are connected to quickly determine the corresponding port when reconnecting the cables.

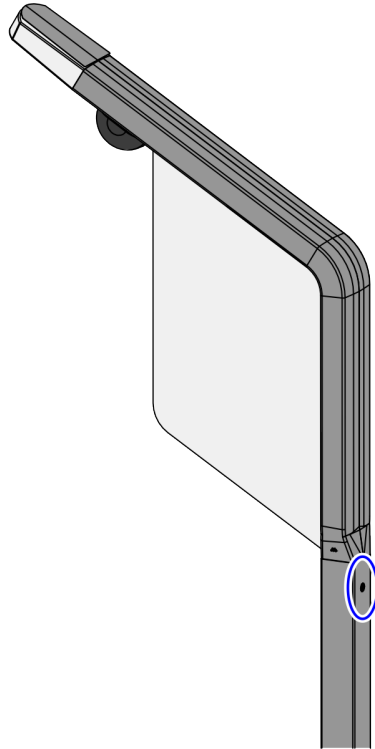


CCP-62080

Removing the Tri-Light/Lane Light with Camera Assembly

To remove the Tri-Light/Lane Light with Camera assembly, follow these steps:

1. Turn off the NCR SelfServ Checkout software and hardware systems.
2. Remove the screw securing the Tri-Light/Lane Light with Camera assembly to the Tri-Light/Lane Light pole.

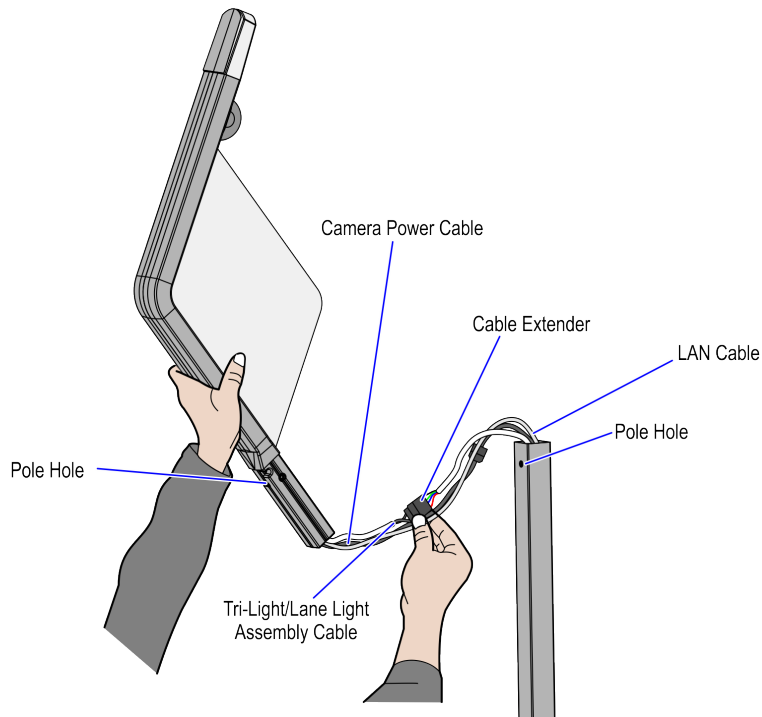


CCP-76738

3. Lift the Tri-Light/Lane Light with Camera assembly and then disconnect the cables.

i Note

The assembly has cable ties that provide strain relief for the connectors. Cut these cable ties before disconnecting the connectors.

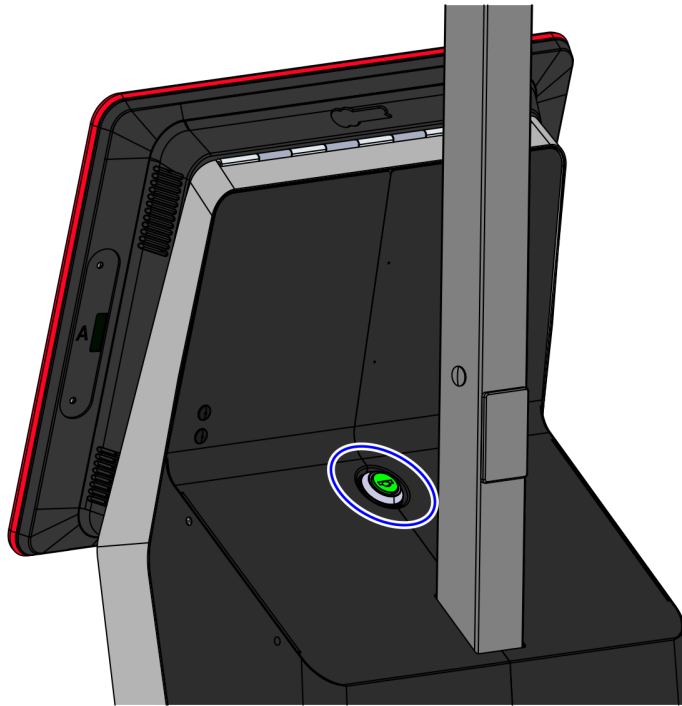


CCP-76714

Removing Tri-Light/Lane Light Pole

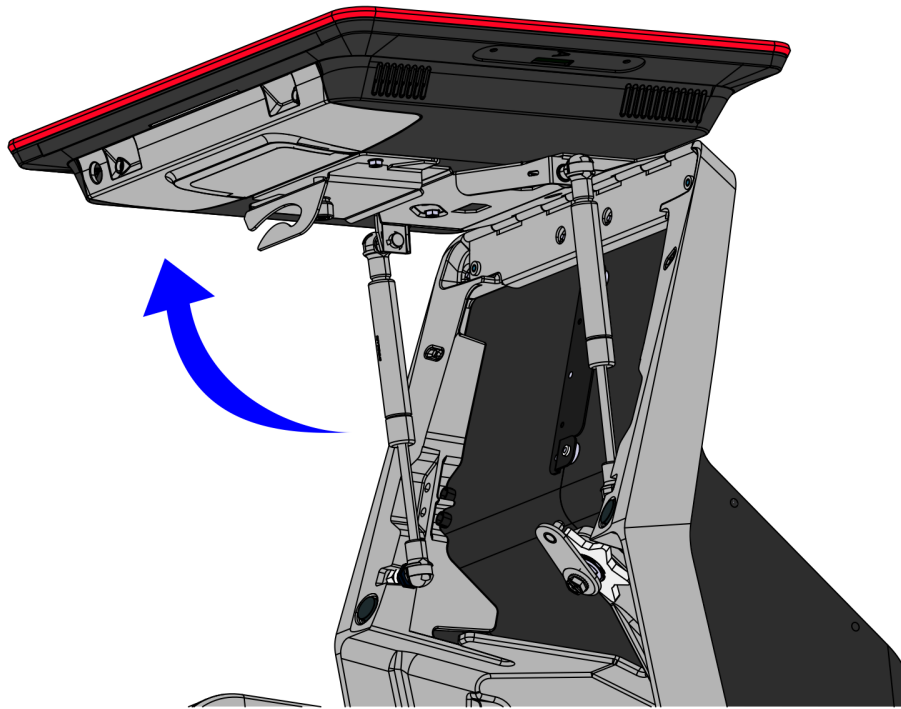
To remove the Tri-Light/Lane Light Pole, follow these steps:

1. Remove the Tri-Light/Lane Light Assembly, if necessary. For more information, refer to [Removing the Tri-Light/Lane Light \(R6\) on page 8](#).
2. Insert key in lock on the back of tower and then turn counterclockwise to unlock the terminal.



CCP-61622

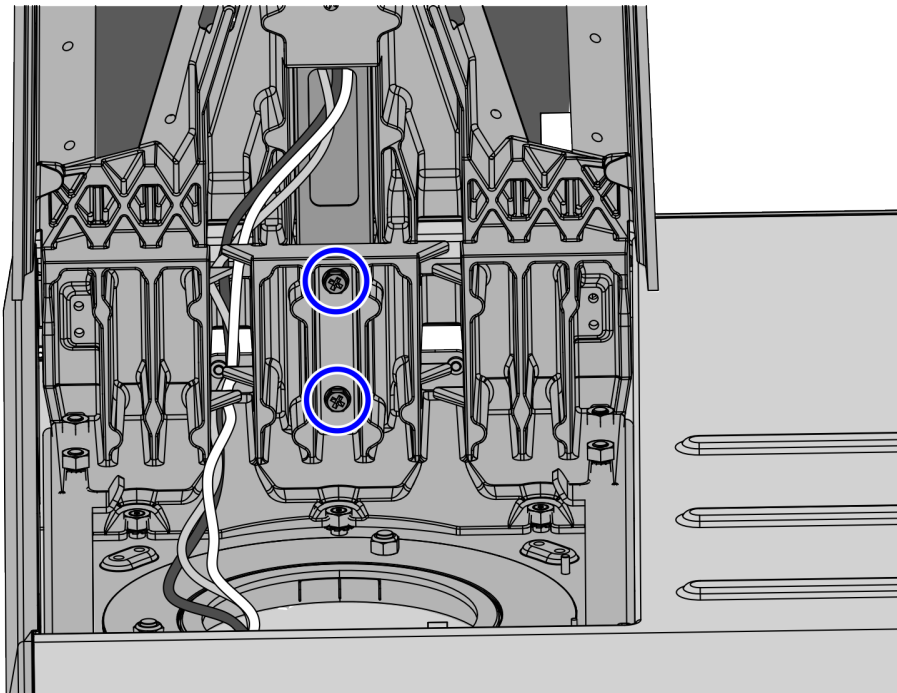
3. Lift up the Terminal Display.



CCP-62073

4. Remove the Scanner/Scale to access the screws that secure the Tri-Light/Lane Light Pole.

5. Remove the two (2) screws securing the Tri-Light/Lane Light Pole to the Tower Frame duct.



CCP-61150

6. Disconnect the cables and remove them out of the Tri-Light/Lane Light Pole.
7. Lift the Tri-Light/Lane Light Pole out of the tower.