

Kit Instructions

Top Plate Adapter, Single-Window or No Scanner

7360-K082
Issue B



The product described in this document is a licensed product of NCR Corporation.

NCR is a registered trademark of NCR Corporation. NCR FastLane SelfServ™ Checkout is a trademark of NCR Corporation in the United States and/or other countries. Other product names mentioned in this publication may be trademarks or registered trademarks of their respective companies and are hereby acknowledged.

The terms HDMI and HDMI High-Definition Multimedia Interface, and the HDMI Logo are trademarks or registered trademarks of HDMI Licensing LLC in the United States and other countries.

Where creation of derivative works, modifications or copies of this NCR copyrighted documentation is permitted under the terms and conditions of an agreement you have with NCR, NCR's copyright notice must be included.

It is the policy of NCR Corporation (NCR) to improve products as new technology, components, software, and firmware become available. NCR, therefore, reserves the right to change specifications without prior notice.

All features, functions, and operations described herein may not be marketed by NCR in all parts of the world. In some instances, photographs are of equipment prototypes. Therefore, before using this document, consult with your NCR representative or NCR office for information that is applicable and current.

To maintain the quality of our publications, we need your comments on the accuracy, clarity, organization, and value of this book. Please use the link below to send your comments.

Email: FD230036@ncr.com

Copyright © 2016-2017

By NCR Corporation

Duluth, GA U.S.A.

All Rights Reserved

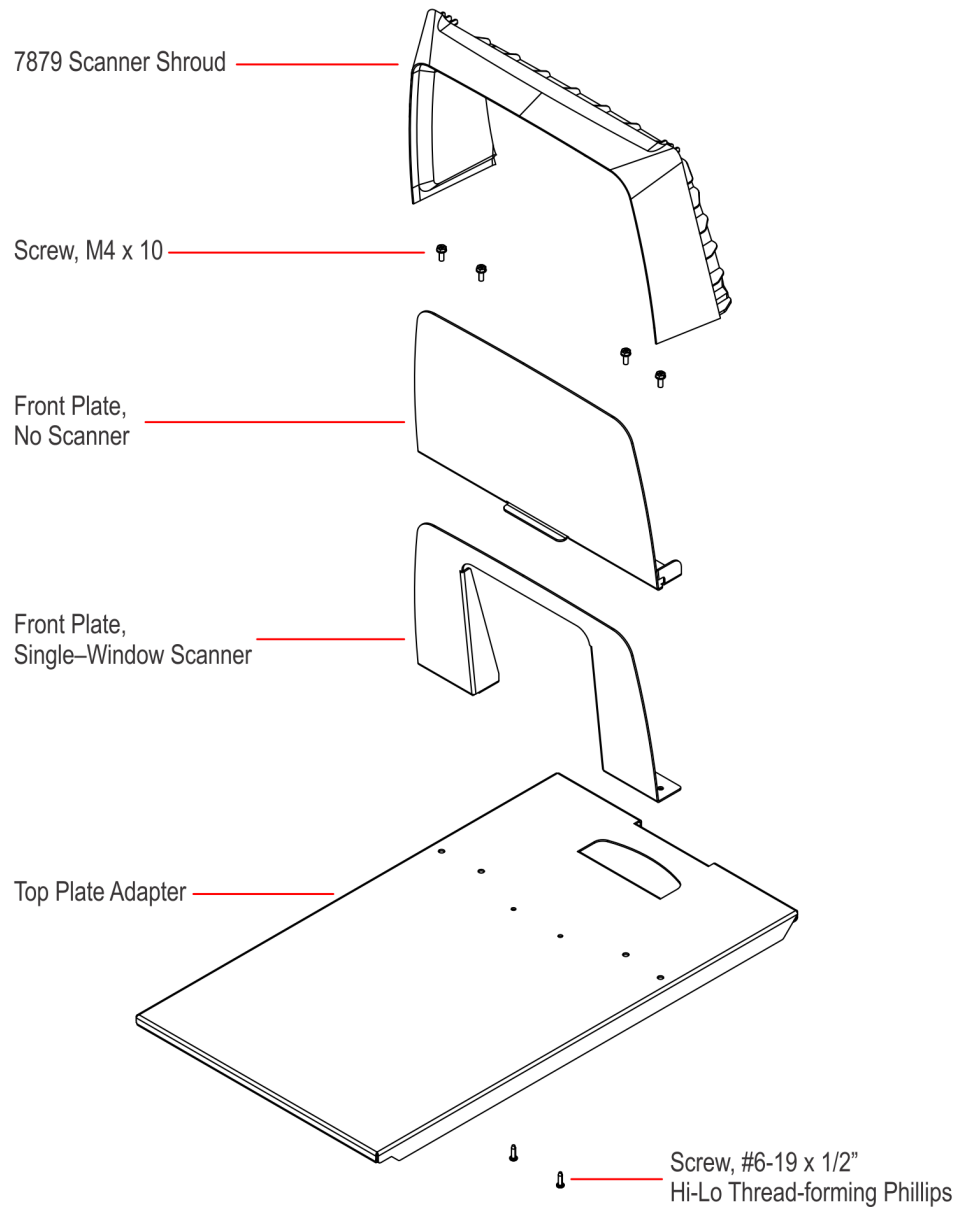
Revision Record

Issue	Date	Remarks
A	Nov 2016	First issue.
B	Jun 2017	Updated IP PDF template.

Top Plate Adapter, Single-Window or No Scanner

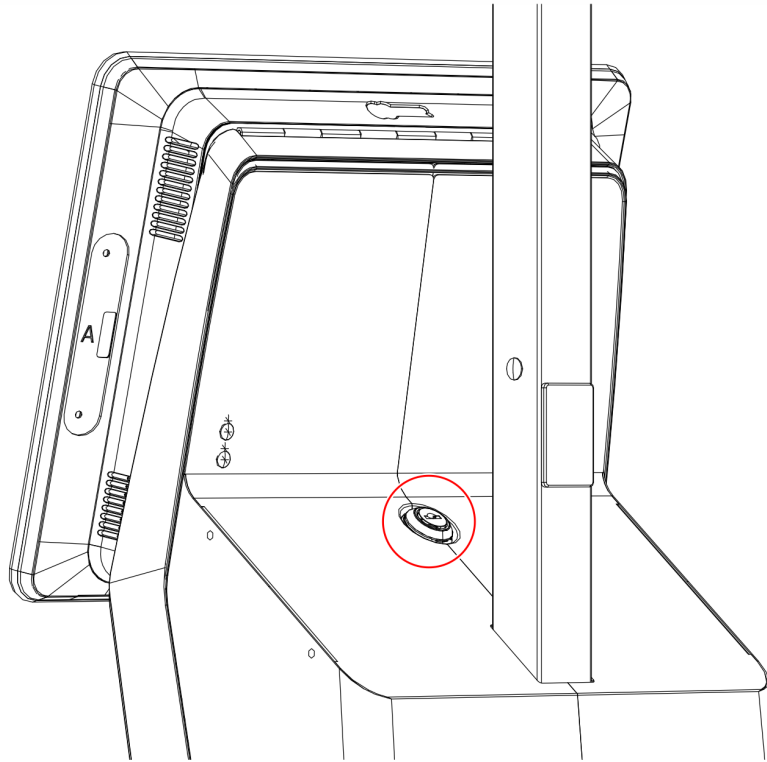
This kit contains the components to add a Top Plate Adapter to the non-convertible NCR FastLane SelfServ™ Checkout 7360 with a Single-Window Scanner or with no Scanner.

Kit Contents

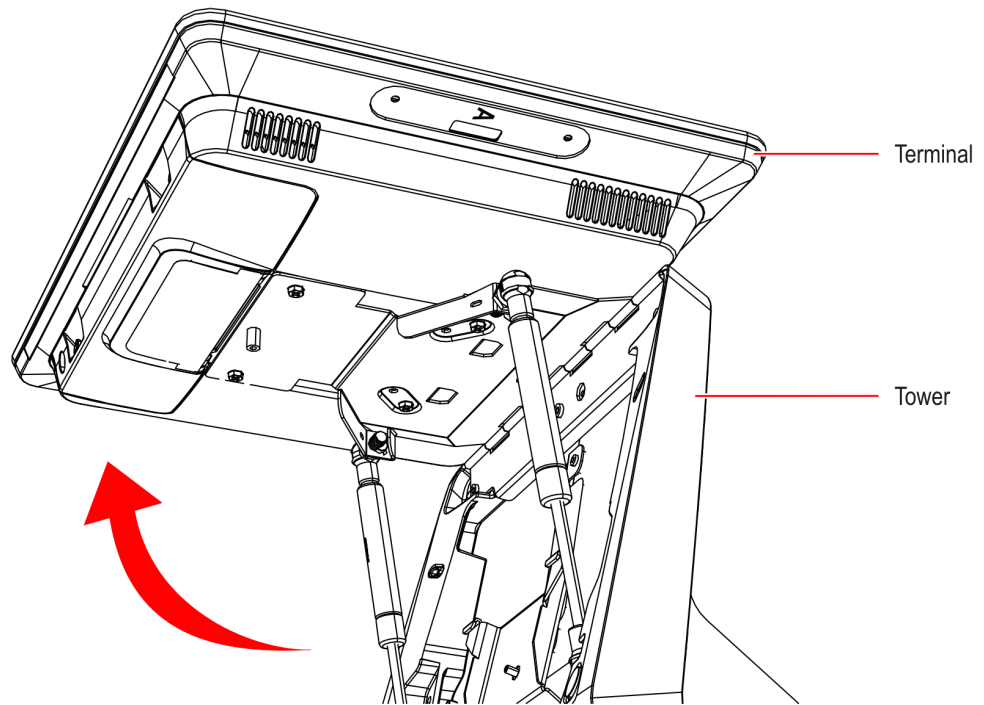


Installation Procedure

1. Use a key to unlock the tower.

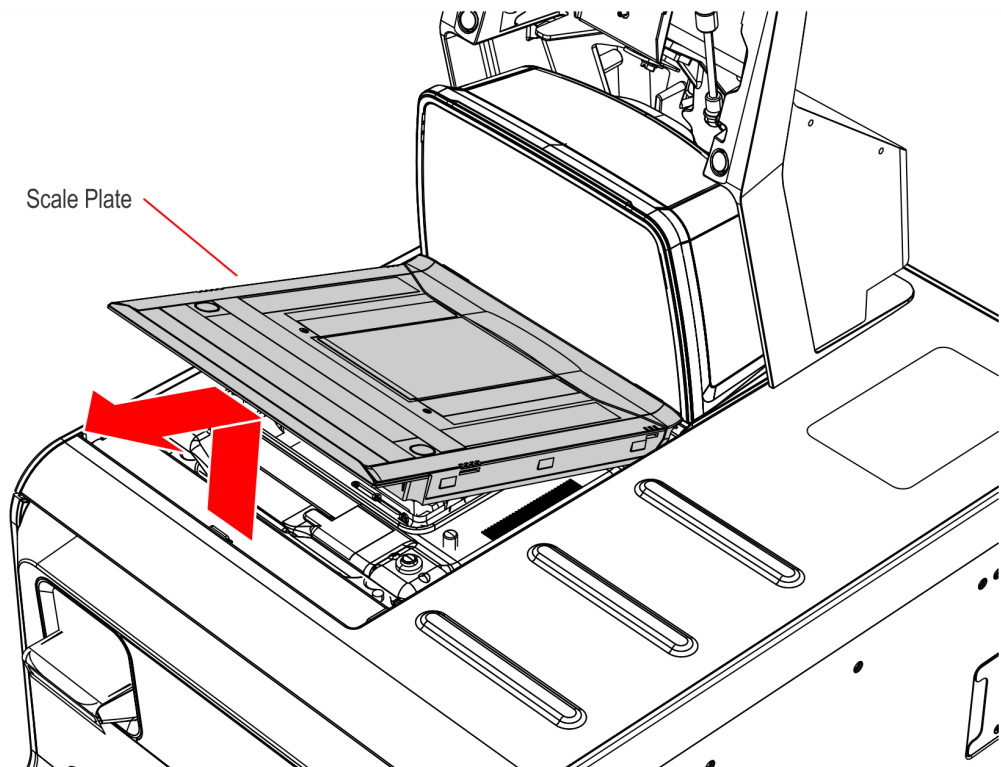


2. Raise the terminal.



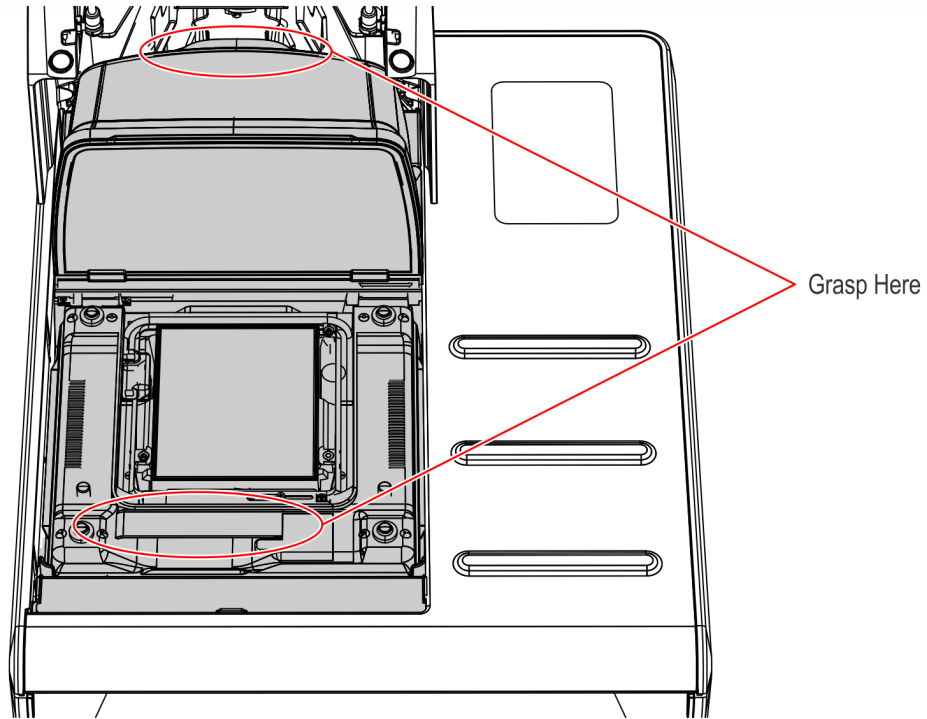
CCP-62073

3. If present, remove the Bi-Optic Scanner from the bucket area.
 - a. Lift and remove the Scale Plate from the Scanner.



CCP-61624

- b. Grasp the front of the Scanner and lift up, then grasp the back of the Scanner and slide the Scanner out of the bucket area.



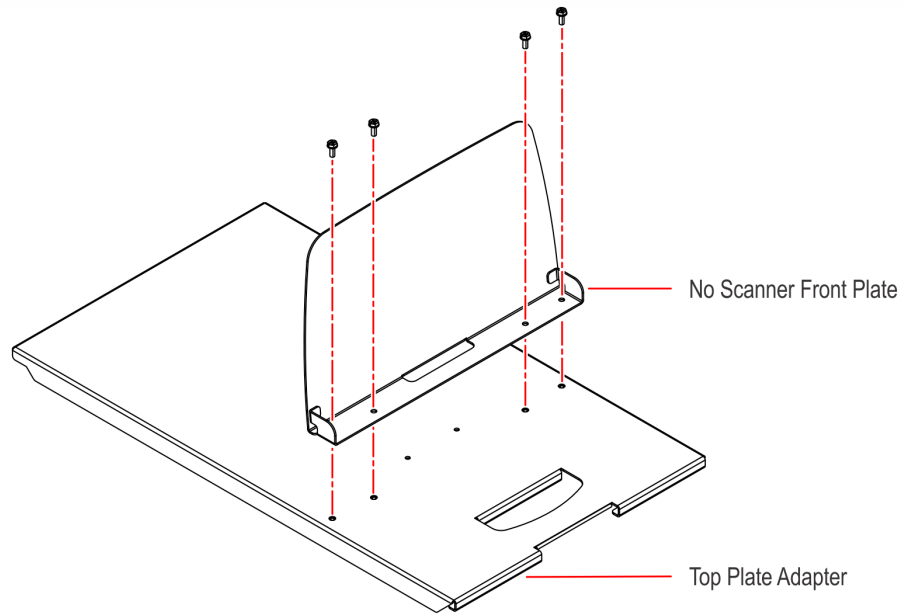
CCP-61625

- c. Disconnect all cables from the Scanner.

4. Two Front Plates are included in the kit: No Scanner Front Plate and Single-Window Scanner Front Plate. Install the desired Front Plate to the Top Plate Adapter.

No Scanner Front Plate

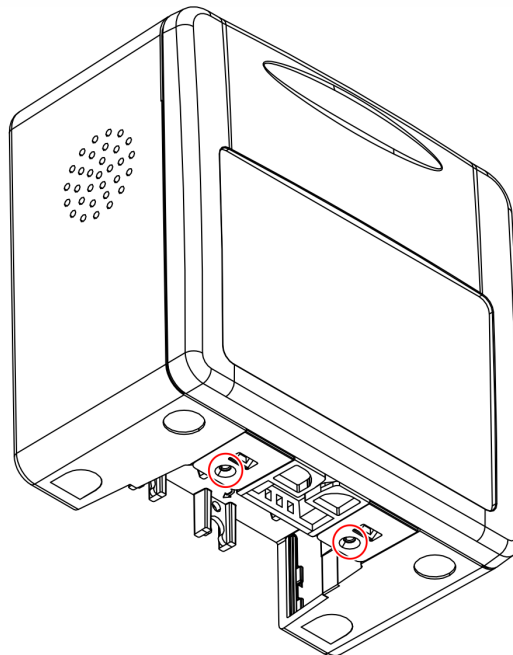
- a. Install the No Scanner Front Plate on the Top Plate Adapter using four M4 screws.



CCP-70008

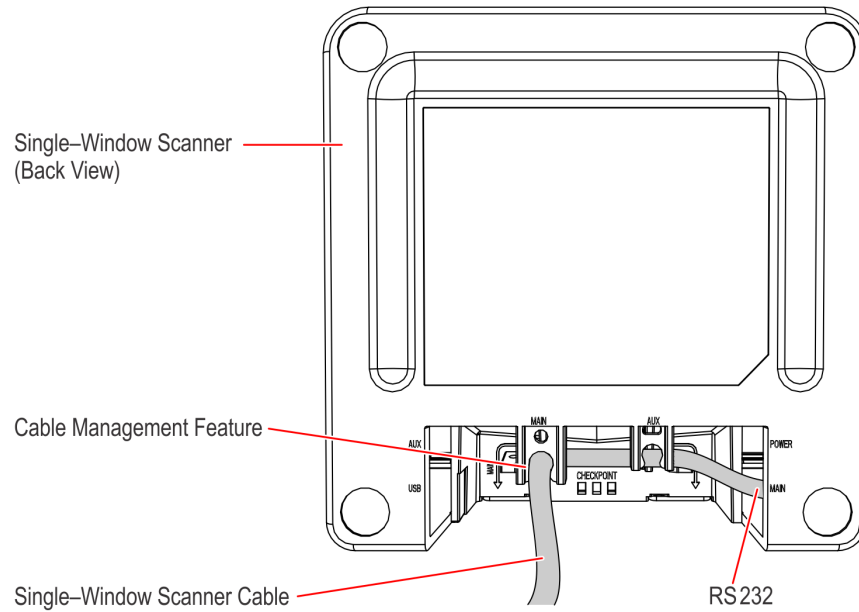
Single-Window Scanner Front Plate

- a. If present, remove the two screws on the bottom of the Single-Window Scanner.



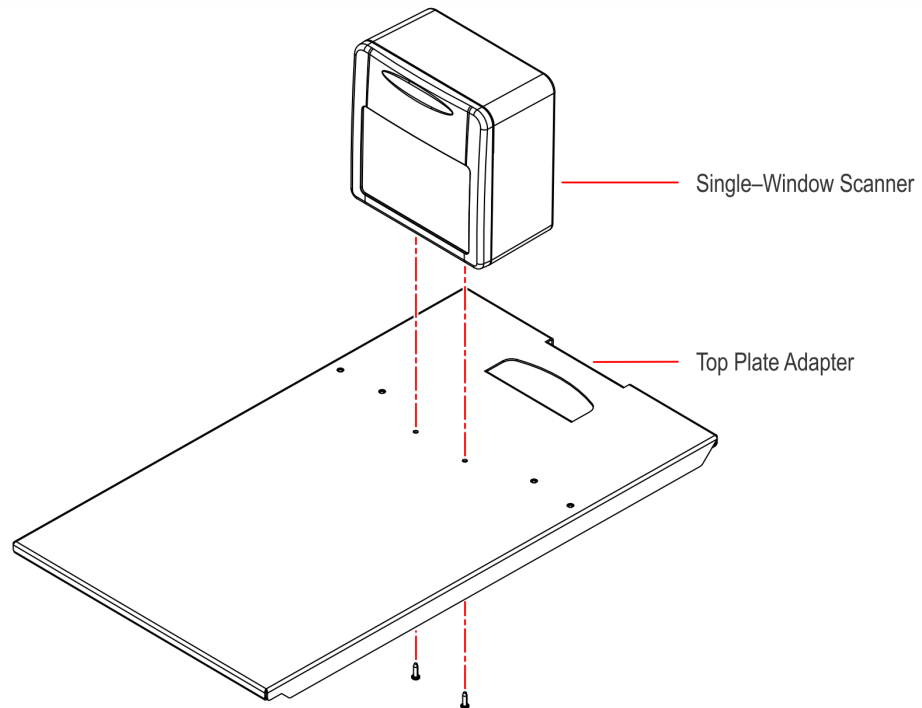
CCP-70009

- b. Connect the RS232 end of the Single-Window Scanner Cable to the Single-Window Scanner and route it through the Cable Management Feature as shown.



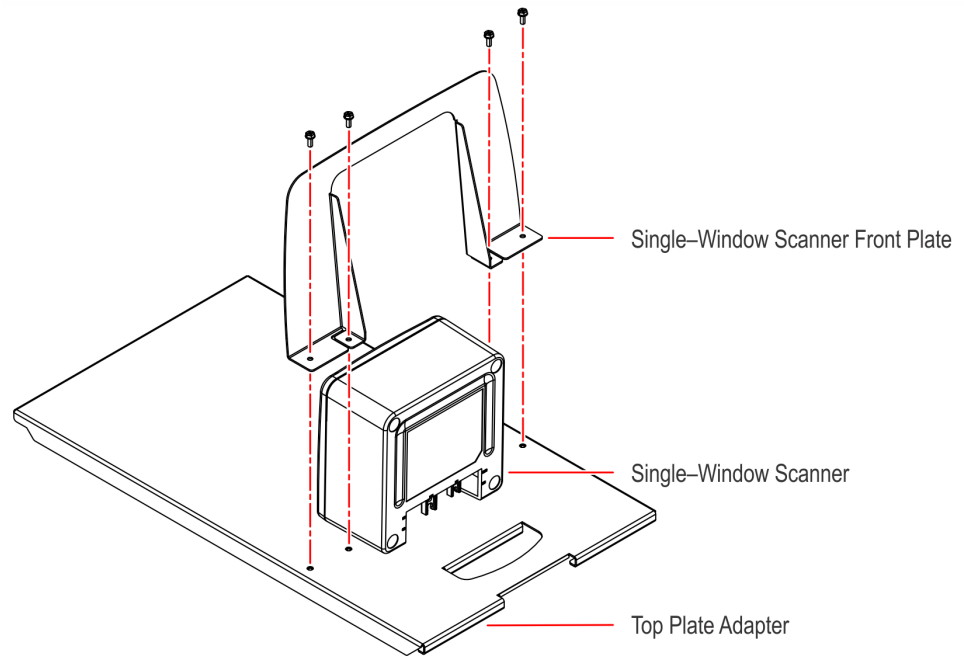
CCP-70014

- c. Secure the Single-Window Scanner to the Top Plate Adapter using the two Phillips screws included in the Kit.

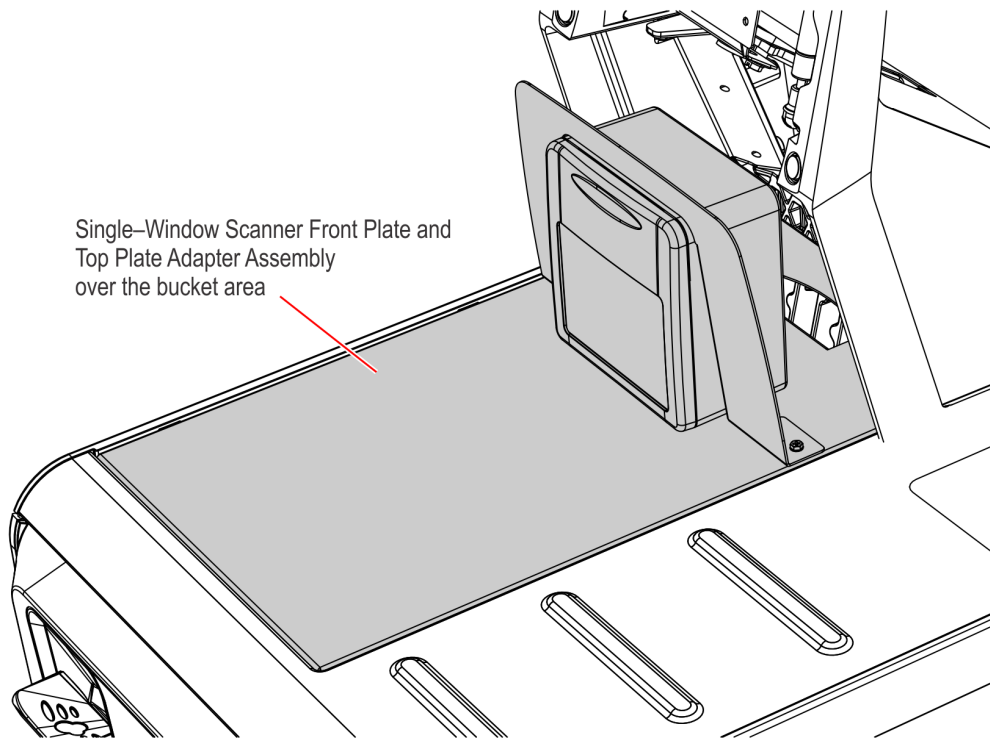
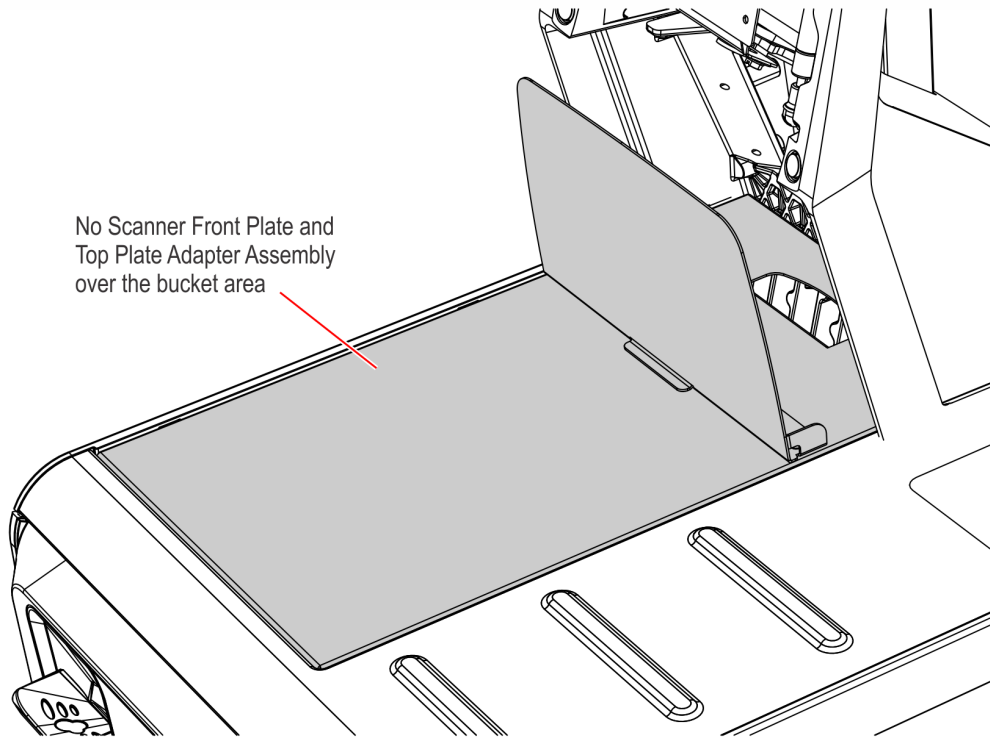


CCP-70010

- d. Install the Single-Window Scanner Front Plate on the Top Plate Adapter using four M4 screws.

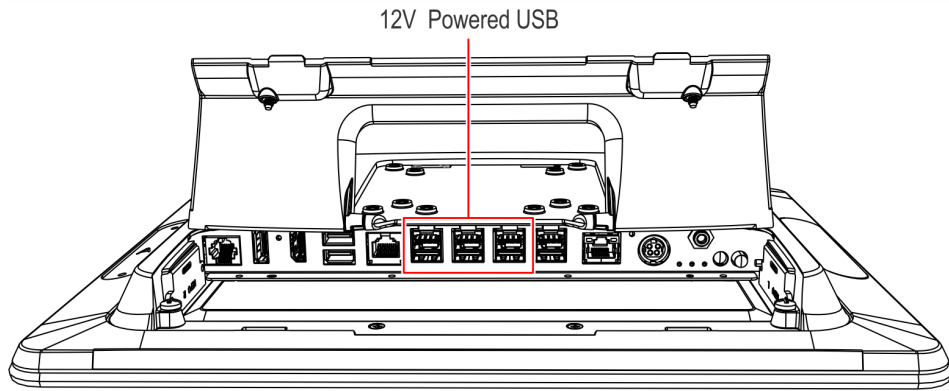


5. Slide the Front Plate and Top Plate Adapter Assembly over the bucket area.

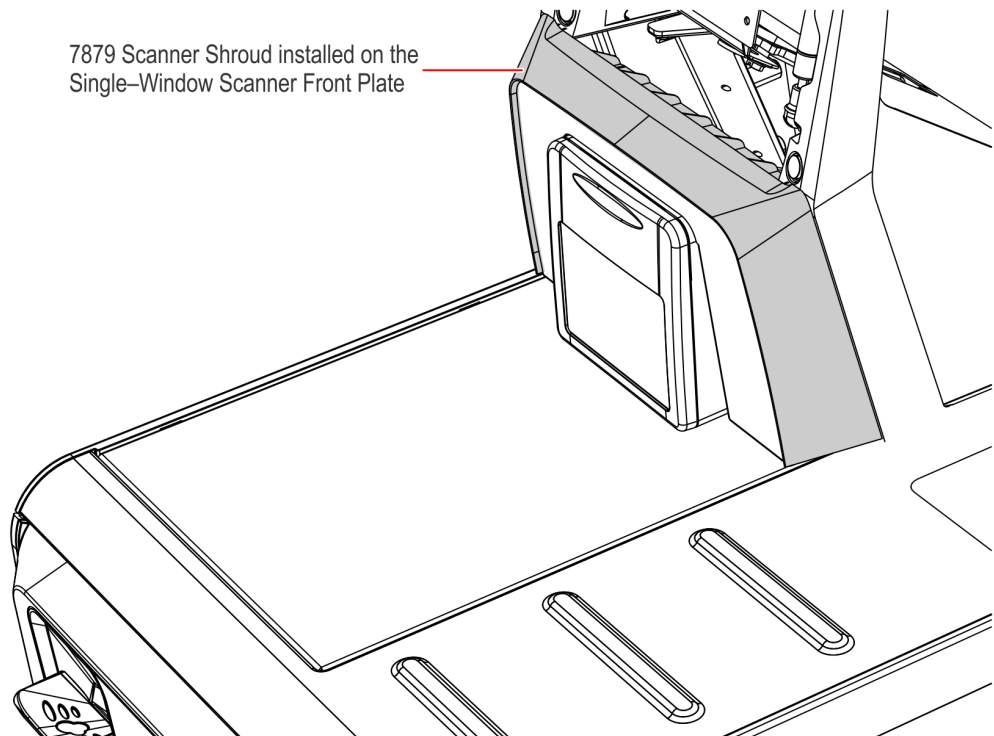
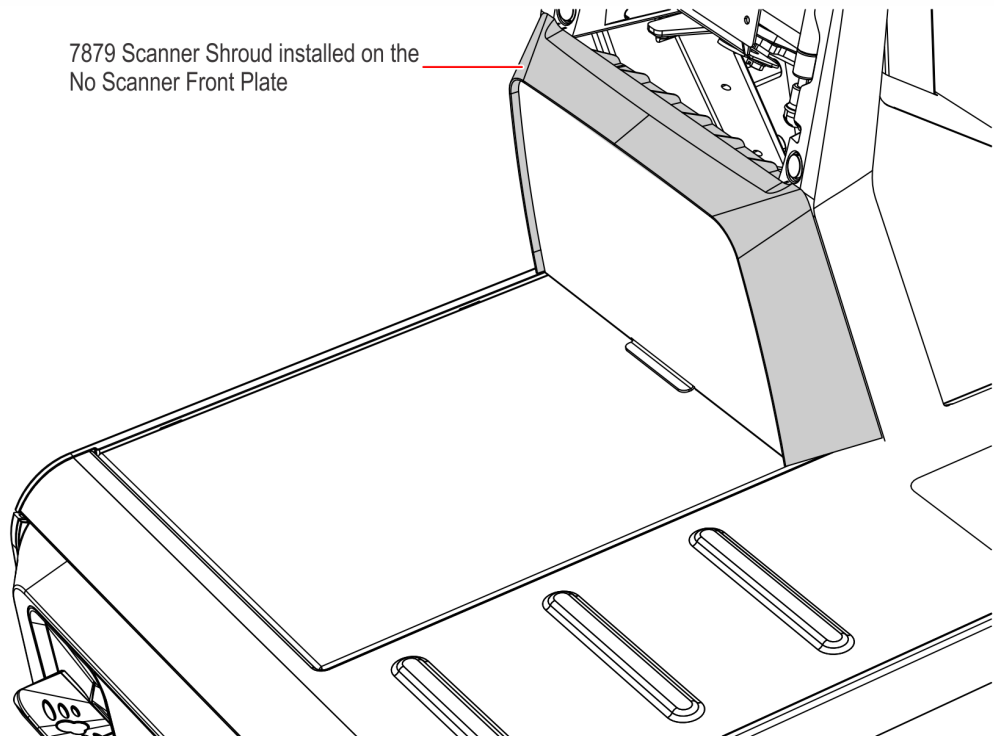




Note: If Single-Window Scanner is present, connect the USB end of the Single-Window Scanner Cable to any available 12V Powered USB Port on the Terminal. Bundle the extra cable length.



6. Install the 7879 Scanner Shroud on the Front Plate. The Shroud is rubber and can flex into place.



7. Lower the terminal then lock the tower.

