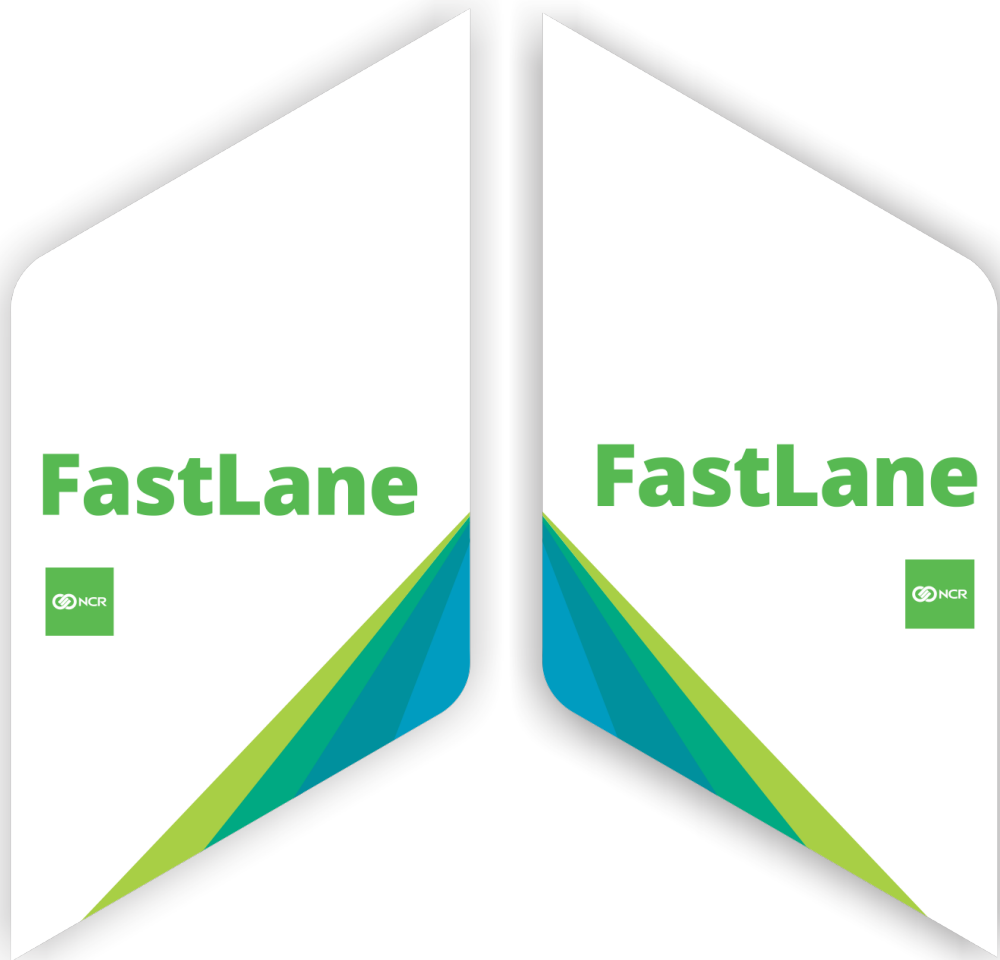


Kit Instructions

Lane Light Label (FastLane)



7360-K070
Issue A



The product described in this document is a licensed product of NCR Corporation.

NCR is a registered trademark of NCR Corporation. NCR FastLane SelfServ™ Checkout is a trademark of NCR Corporation in the United States and/or other countries. Other product names mentioned in this publication may be trademarks or registered trademarks of their respective companies and are hereby acknowledged.

The terms HDMI and HDMI High-Definition Multimedia Interface, and the HDMI Logo are trademarks or registered trademarks of HDMI Licensing LLC in the United States and other countries.

Where creation of derivative works, modifications or copies of this NCR copyrighted documentation is permitted under the terms and conditions of an agreement you have with NCR, NCR's copyright notice must be included.

It is the policy of NCR Corporation (NCR) to improve products as new technology, components, software, and firmware become available. NCR, therefore, reserves the right to change specifications without prior notice.

All features, functions, and operations described herein may not be marketed by NCR in all parts of the world. In some instances, photographs are of equipment prototypes. Software screen images are representative, and in some cases, may not match a customer's installed software exactly. Therefore, before using this document, consult with your NCR representative or NCR office for information that is applicable and current.

To maintain the quality of our publications, we need your comments on the accuracy, clarity, organization, and value of this book. Please use the link below to send your comments.

Email: FD230036@ncr.com

Copyright © 2019
By NCR Corporation
864 Spring St. NW
Atlanta, GA 30308
United States
All Rights Reserved

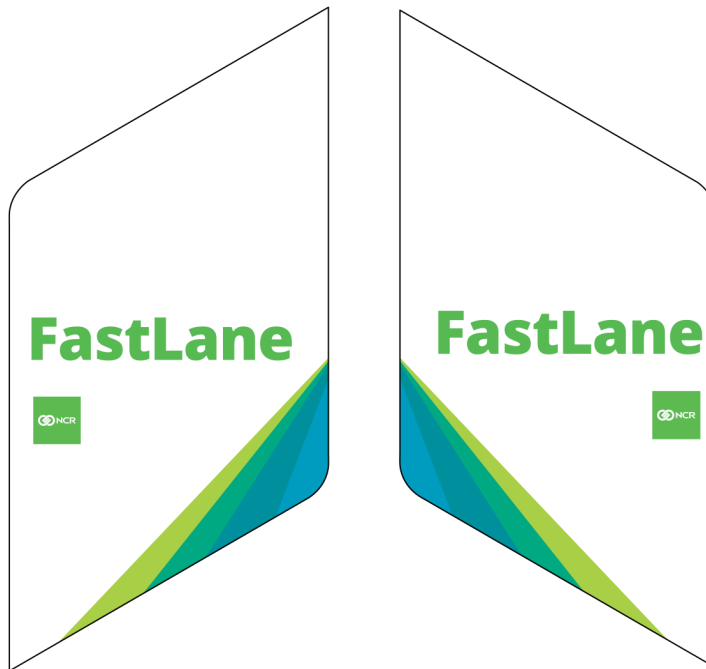
Revision Record

| Issue | Date | Remarks |
|-------|----------|-------------|
| A | Nov 2019 | First Issue |
| | | |
| | | |

Lane Light Label (FastLane)

This publication provides instructions for applying a FastLane Label on an NCR FastLane SelfServ™ Checkout (7360) Lane Light.

Kit Contents



R6L Lane Light
Graphics Label
"Fastlane"

CCP-77774

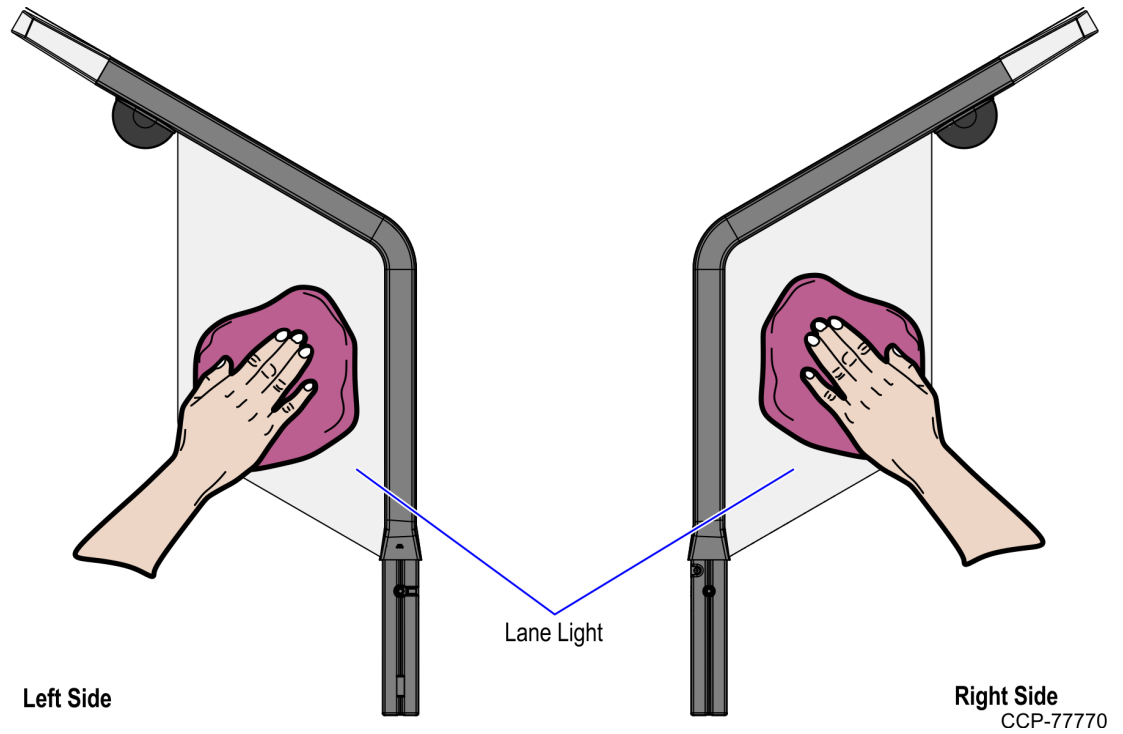
| Part Number | Description |
|---------------|---|
| 497-0526895 | Kit - Lane Light Graphics Label "Fastlane"- Preferred Offer |
| 497-0521720 | R6L Lane Light Graphics Label - "Fastlane" (3 pcs) |
| * 497-0423108 | Instructions Kit (Reference Sheet) |

* Items marked with an asterisk are not called out on the image.

Installation Procedure

To install the label on each side of the Lane Light, follow these steps:

1. Remove the Tri-Light/Lane Light assembly, if necessary.
2. Wipe any dust or dirt on the surface of both sides of the Lane Light.

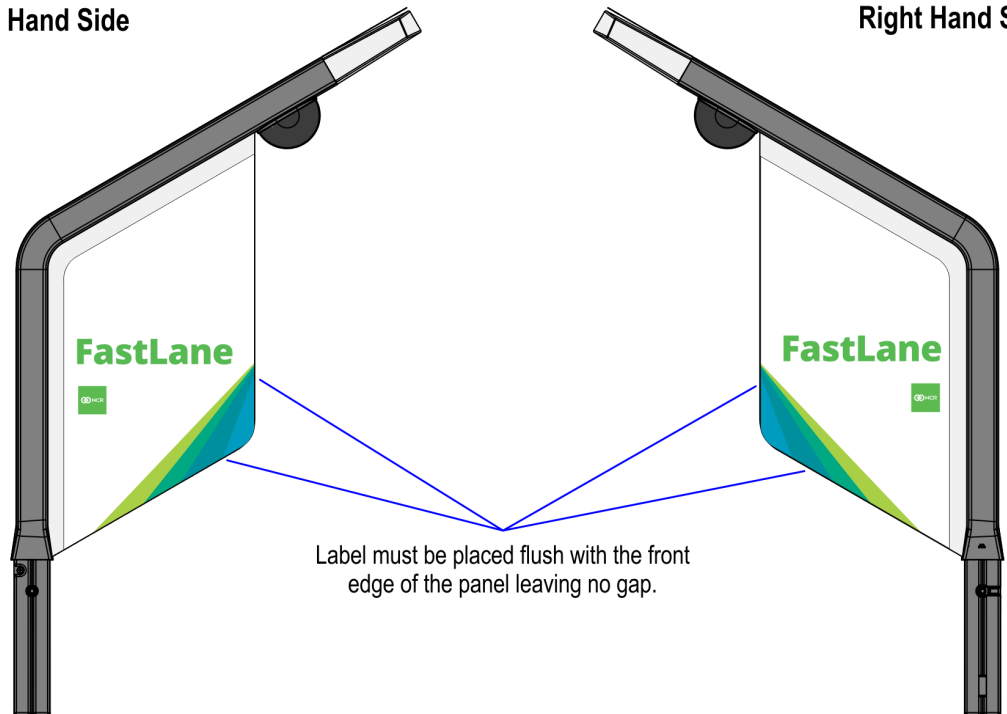


3. Set the Lane Light on a flat surface.

4. Position the label on the Lane Light. Ensure that the label is flush with the front edge of the Lane Light, as shown in the image below.

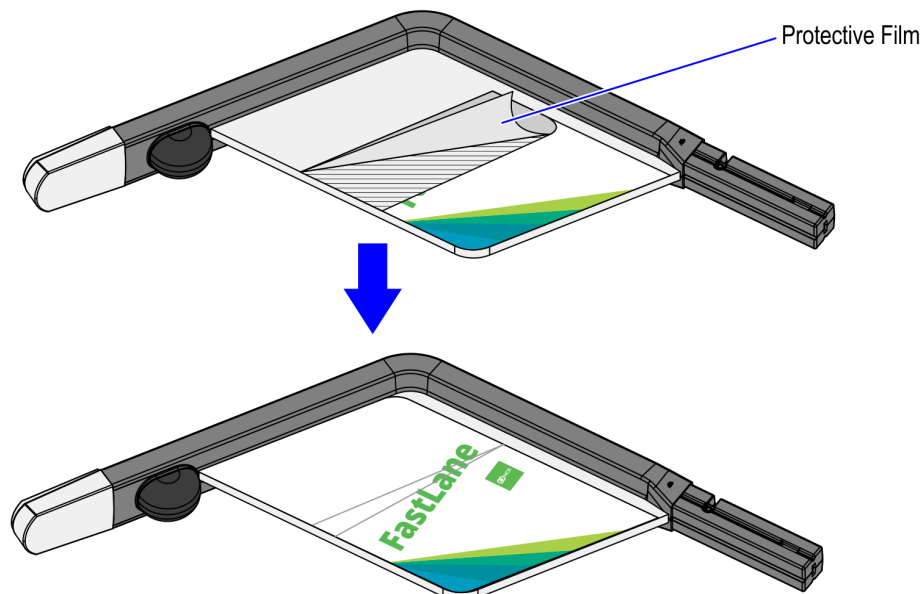
Left Hand Side

Right Hand Side



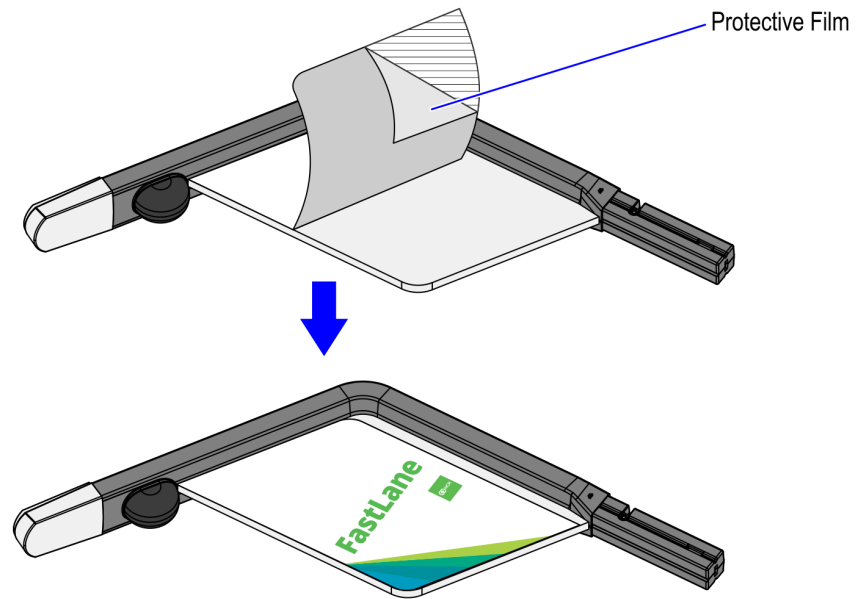
CCP-77764

5. Hold half of the label in place while peeling off the protective film from the other half of the label and then attach the label on the Lane Light, as shown in the image below.



CCP-77765

6. Peel off the adhesive tape from the other half of the label and then attach the label to the Lane Light.



CCP-77766

7. Smooth out any air bubbles.