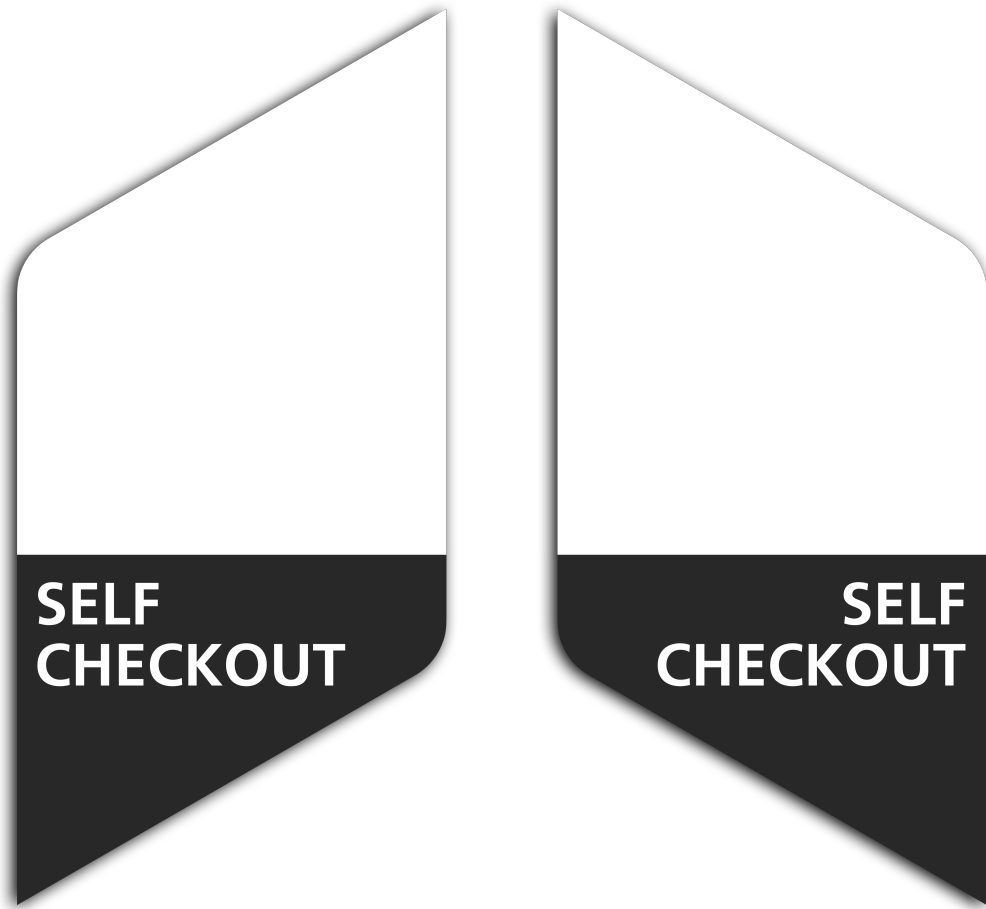


Kit Instructions

Lane Light Label



7360-K069
Issue A



The product described in this document is a licensed product of NCR Corporation.

NCR is a registered trademark of NCR Corporation. NCR FastLane SelfServ™ Checkout is a trademark of NCR Corporation in the United States and/or other countries. Other product names mentioned in this publication may be trademarks or registered trademarks of their respective companies and are hereby acknowledged.

The terms HDMI and HDMI High-Definition Multimedia Interface, and the HDMI Logo are trademarks or registered trademarks of HDMI Licensing LLC in the United States and other countries.

Where creation of derivative works, modifications or copies of this NCR copyrighted documentation is permitted under the terms and conditions of an agreement you have with NCR, NCR's copyright notice must be included.

It is the policy of NCR Corporation (NCR) to improve products as new technology, components, software, and firmware become available. NCR, therefore, reserves the right to change specifications without prior notice.

All features, functions, and operations described herein may not be marketed by NCR in all parts of the world. In some instances, photographs are of equipment prototypes. Therefore, before using this document, consult with your NCR representative or NCR office for information that is applicable and current.

To maintain the quality of our publications, we need your comments on the accuracy, clarity, organization, and value of this book. Please use the link below to send your comments.

EMail: FD230036@ncr.com

Copyright © 2019
By NCR Corporation
864 Spring St. NW
Atlanta, GA 30308
United States
All Rights Reserved

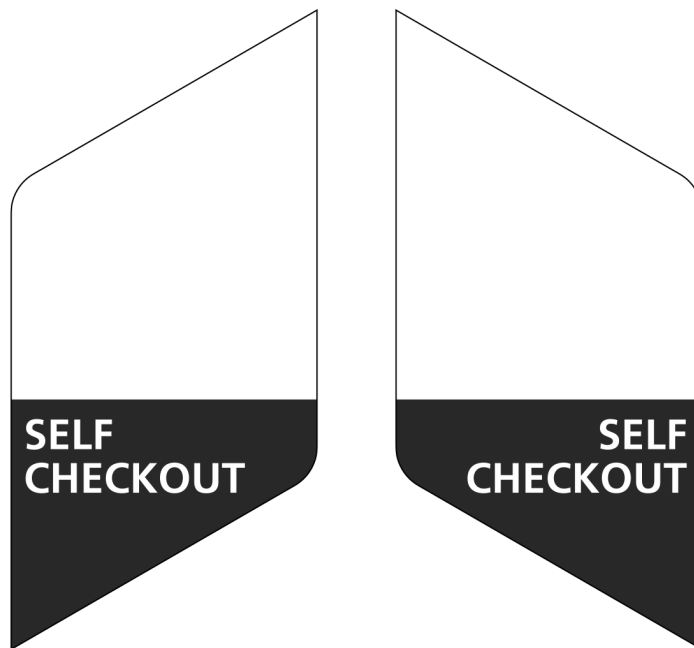
Revision Record

Issue	Date	Remarks
A	Oct 2019	First Issue

Lane Light Label

This publication provides instructions for applying a Self Checkout Label on an NCR FastLane SelfServ™ Checkout (7360) Lane Light.

Kit Contents



Lane Light
Graphics Label
- NCR Fastlane

CCP-77760

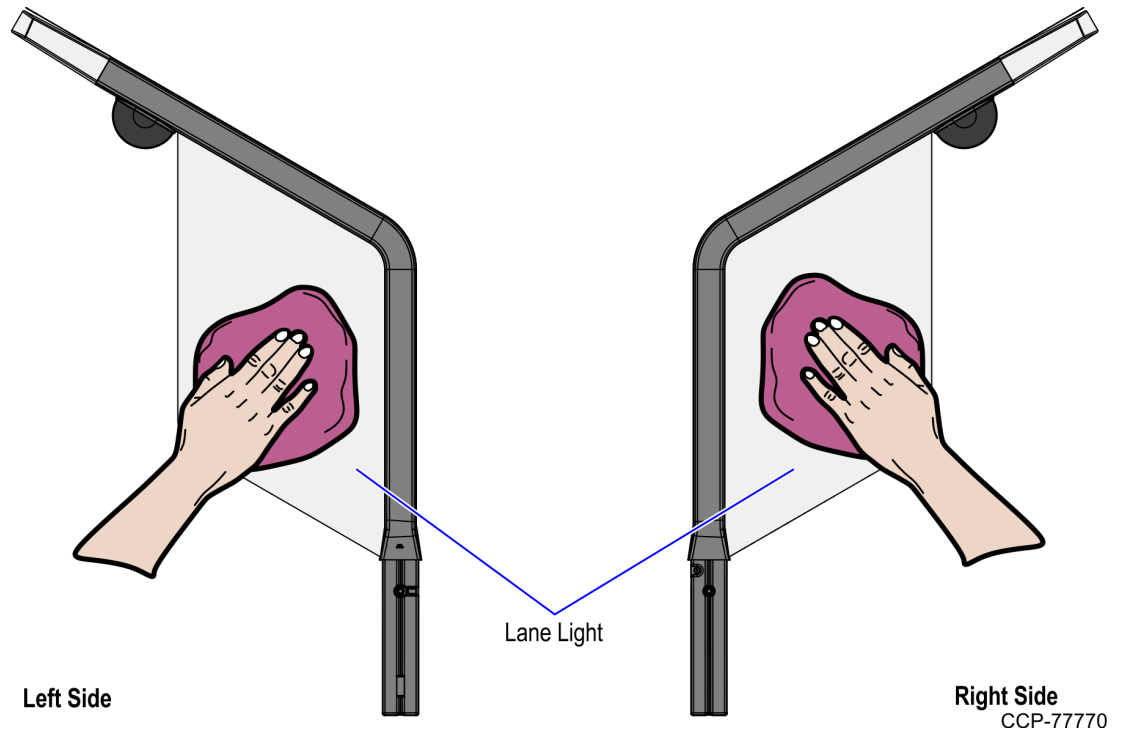
Part Number	Description
497-0526848	Kit - Lane Light Graphics Label "Self Checkout" - Preferred Offer
497-0511101	Lane Light Graphics Label – NCR Fastlane (3 pcs)
* 497-0423108	Instructions Kit (Reference Sheet)

* Items marked with an asterisk are not called out on the image.

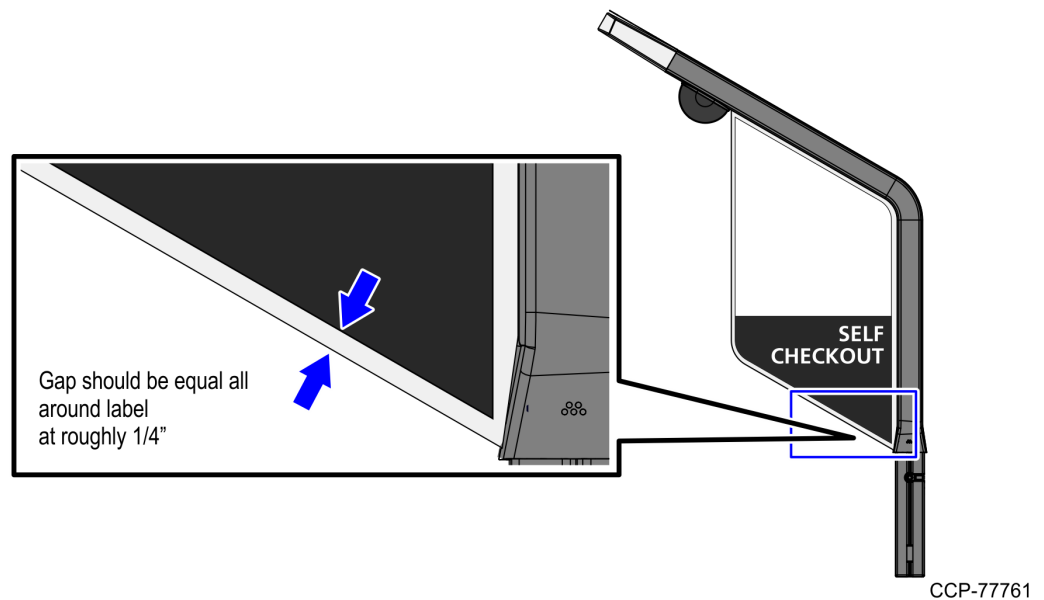
Installation Procedure

To install the label on each side of the Lane Light, follow these steps:

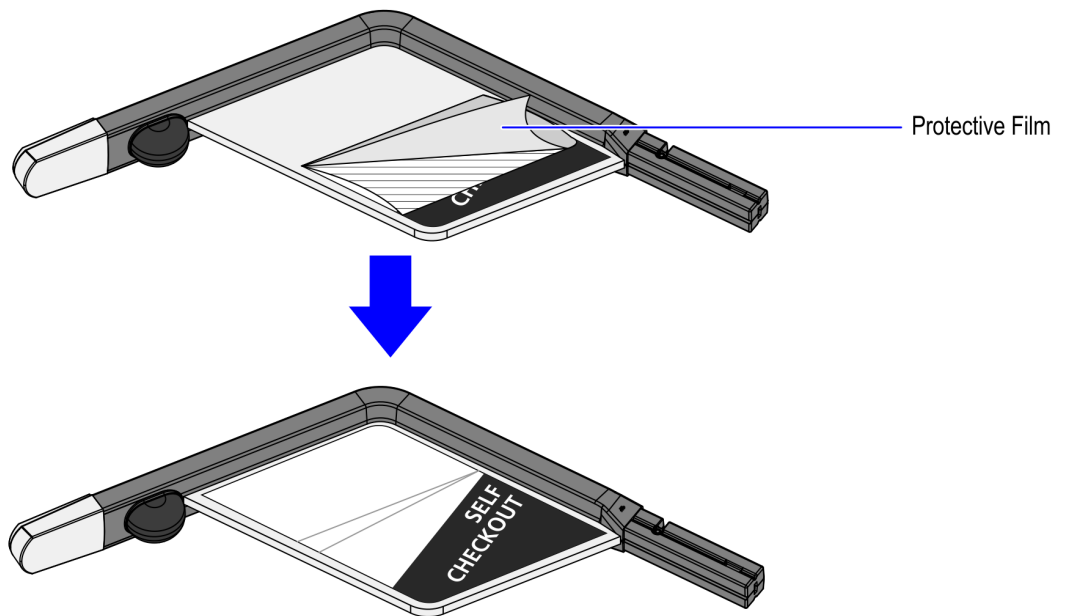
1. Remove the Tri-Light/Lane Light assembly, if necessary.
2. Wipe any dust or dirt on the surface of both sides of the Lane Light.



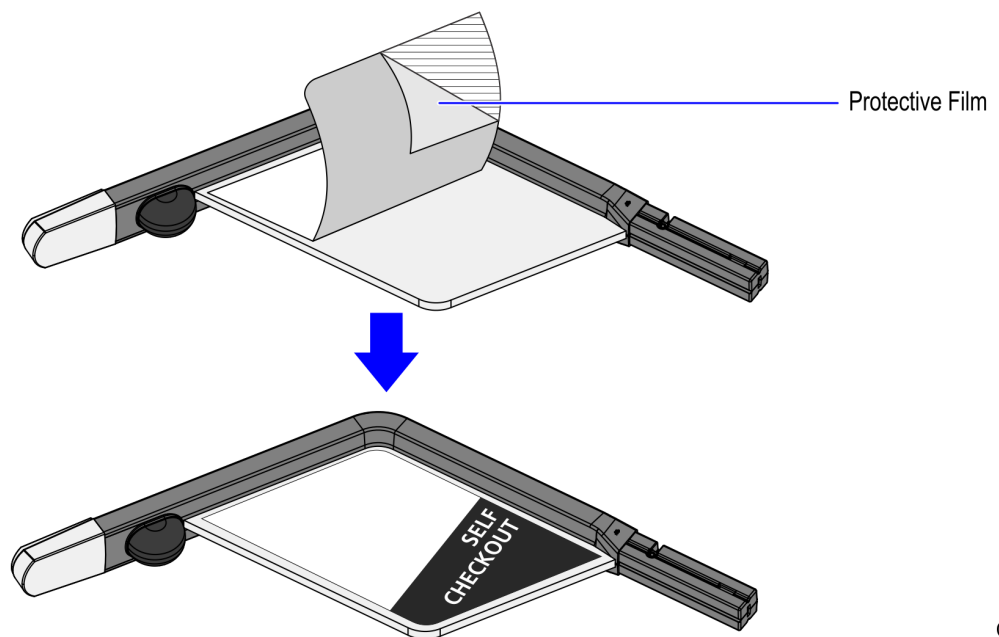
3. Set the Lane Light on a flat surface.
4. Position the label on the Lane Light so that there is an equal space of $\frac{1}{4}$ in (6.35 mm) around the label.



5. Hold half of the label in place while peeling off the protective film from the other half of the label and then attach the label on the Lane Light, as shown in the image below.



6. Peel off the protective film from the other half of the label and then attach the label to the Lane Light.



7. Smooth out any air bubbles.