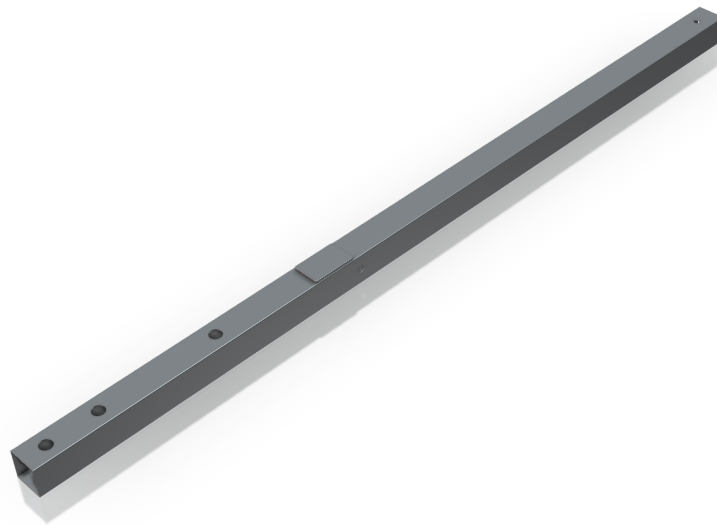


Kit Instructions

Standard Tri-Light/Lane Light Pole with Cable



7360-K067
Issue A



The product described in this document is a licensed product of NCR Corporation.

NCR is a registered trademark of NCR Corporation. NCR FastLane SelfServ™ Checkout is a trademark of NCR Corporation in the United States and/or other countries. Other product names mentioned in this publication may be trademarks or registered trademarks of their respective companies and are hereby acknowledged.

The terms HDMI and HDMI High-Definition Multimedia Interface, and the HDMI Logo are trademarks or registered trademarks of HDMI Licensing LLC in the United States and other countries.

Where creation of derivative works, modifications or copies of this NCR copyrighted documentation is permitted under the terms and conditions of an agreement you have with NCR, NCR's copyright notice must be included.

It is the policy of NCR Corporation (NCR) to improve products as new technology, components, software, and firmware become available. NCR, therefore, reserves the right to change specifications without prior notice.

All features, functions, and operations described herein may not be marketed by NCR in all parts of the world. In some instances, photographs are of equipment prototypes. Therefore, before using this document, consult with your NCR representative or NCR office for information that is applicable and current.

To maintain the quality of our publications, we need your comments on the accuracy, clarity, organization, and value of this book. Please use the link below to send your comments.

EMail: FD230036@ncr.com

Copyright © 2019
By NCR Corporation
864 Spring St. NW
Atlanta, GA 30308
United States
All Rights Reserved

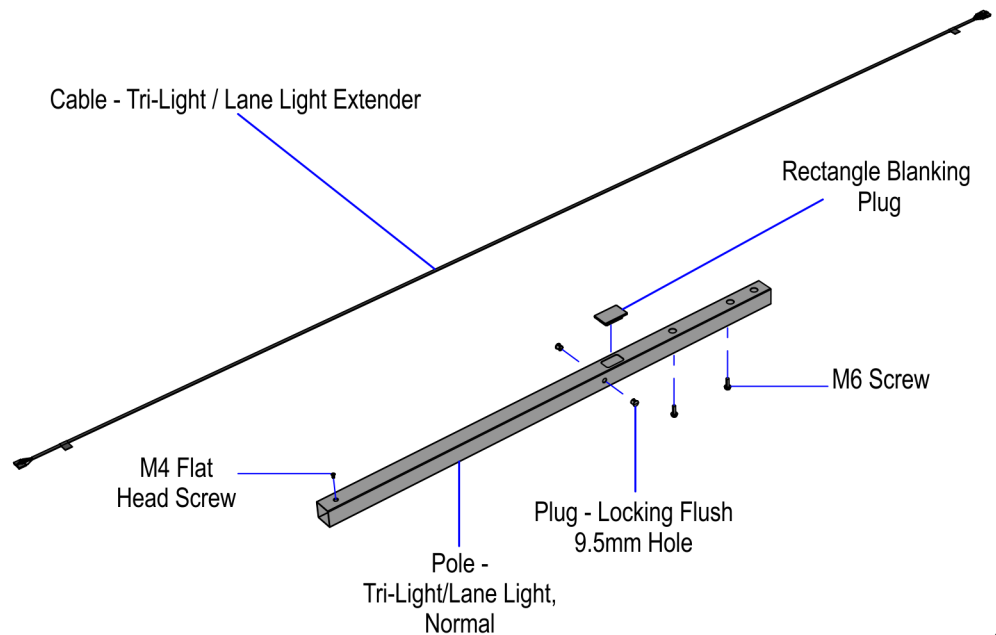
Revision Record

Issue	Date	Remarks
A	Sept 2019	First Issue

Standard Tri-Light/Lane Light Pole with Cable

This publication provides procedures for installing a Standard Tri-Light/Lane Light Pole to an NCR FastLane SelfServ Checkout (7360) unit.

Kit Contents



CCP-77265

Part Number	Description
497-0525417	KIT-R6 Tri-Light Pole, Standard Length with cable
497-0511356	Pole - Tri-Light/Lane Light, Normal
006-8623599	Plug - Locking, Flush, 9.5 mm hole, Black (2 pcs)
006-8624305	Rectangle Blanking Plug (42 x 23.8 mm)
006-8624498	Screw - M4x.7x8mm, flat head, stainless
009-0006598	Screws M6 x 20 (2 pcs)
497-0510676	Cable - Tri-Light/Lane Light Extender, STD POLE, 110"
* 497-0423108	Instructions-Kit (Reference Sheet)

* Items marked with an asterisk are not called out on the image.

Installation Procedures

Installing the R6 Standard Tri-Light/Lane Light Pole involves the following procedures:

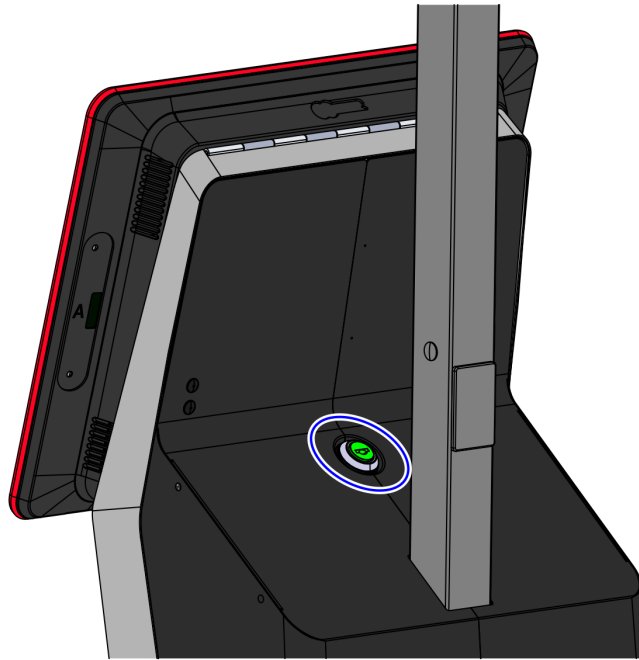
- [Removing Tri-Light/Lane Light Pole](#) on the facing page.
- [Installing Tri-Light/Lane Light Pole](#) on page 5.

Removing Tri-Light/Lane Light Pole

To remove the Tri-Light/Lane Light Pole, follow these steps:

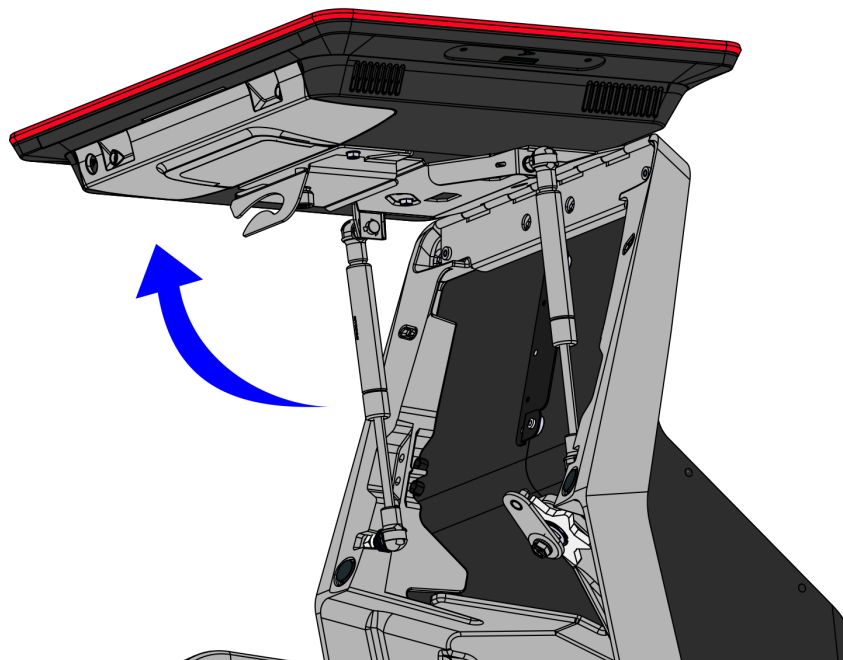
Note: To remove the Tri-Light/Lane Light Assembly, refer to *NCR FastLane SelfServ™ Checkout (7360) Hardware Service Guide (B005-0000-2378)*.

1. Insert key in lock on the back of tower and then turn counter-clockwise to unlock the terminal.



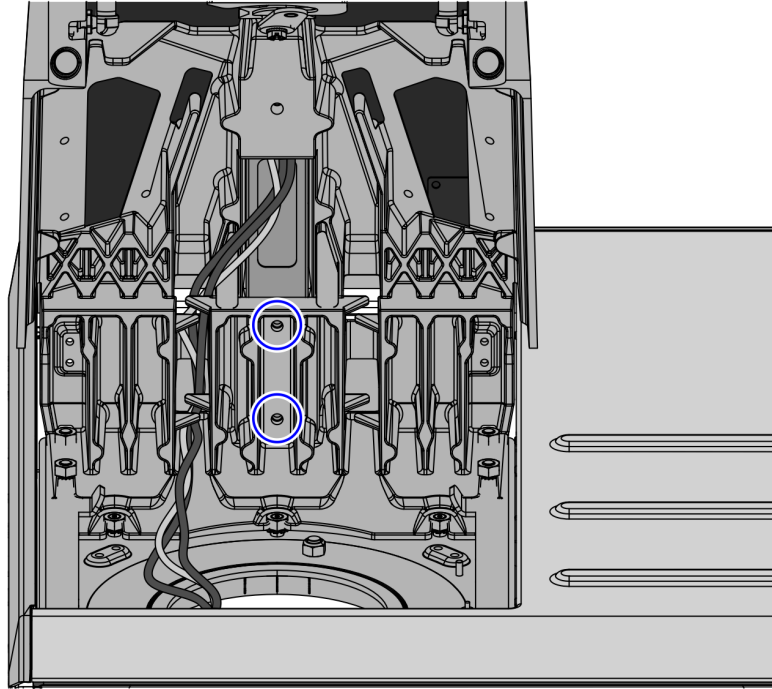
CCP-61622

2. Lift up the terminal display.



CCP-62073

3. Remove the two (2) screws securing the Tri-Light/Lane Light Pole to the tower.



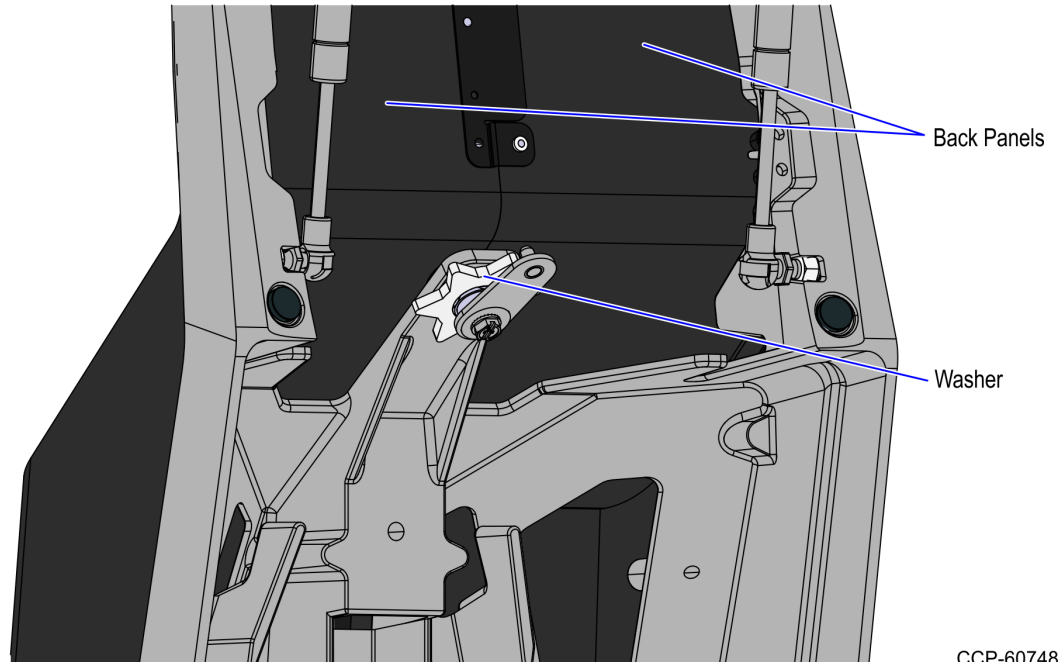
CCP-61150

4. Remove the cables out of the Tri-Light/Lane Light Pole.
5. Lift the Tri-Light/Lane Light Pole out of the tower.

Installing Tri-Light/Lane Light Pole

To install the Tri-Light/Lane Light pole, follow these steps:

1. Remove the existing Tri-Light/Lane Light Pole, if necessary. For more information, refer to [Removing Tri-Light/Lane Light Pole](#) on page 3.
2. Loosen the star-shaped washer around the keylock assembly.



CCP-60748

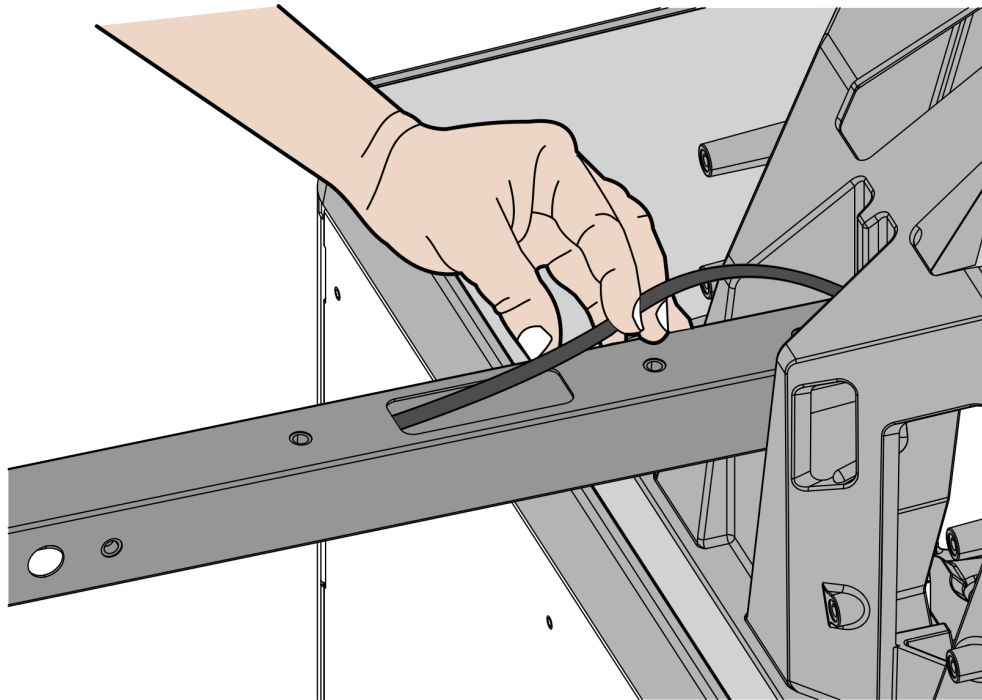
3. Remove the two (2) back panels from the tower assembly.

4. Insert the Tri-Light/Lane Light cable through the opening in the side of Tri-Light/Lane Light pole and route it out the top of the pole.

Note: For the Tri-Light/Lane Light assembly without a camera, only the Tri-Light/Lane Light cable extender exist in the assembly.

Tri-Light	Destination Connection (Location)
Tri-Light/Lane Light cable extender	I/O Box (Tri-Light/Lane Light port)
Ethernet (LAN) cable extender	Ethernet (LAN)
I/O Box (Power) cable extender	I/O Box (Input Belt)

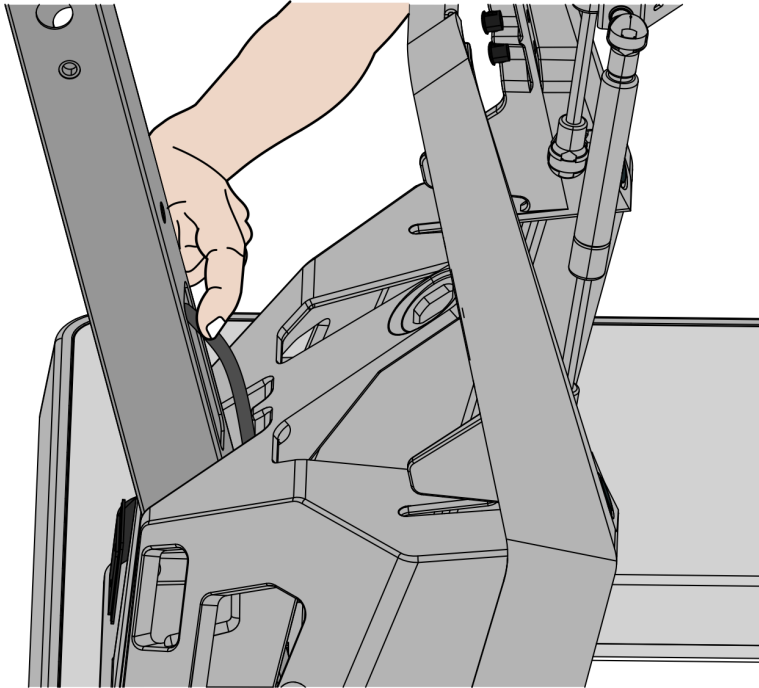
Tip: To make routing the cable extender through the pole easier, first attach a weight (for example, a large bolt) to a long piece of string and drop the weighted end of the string through the Tri-Light/Lane Light pole. Once the string is threaded through the pole, tie the non-weighted end of the string around the cable connector and then pull the cable extender through the pole.



CCP-60749

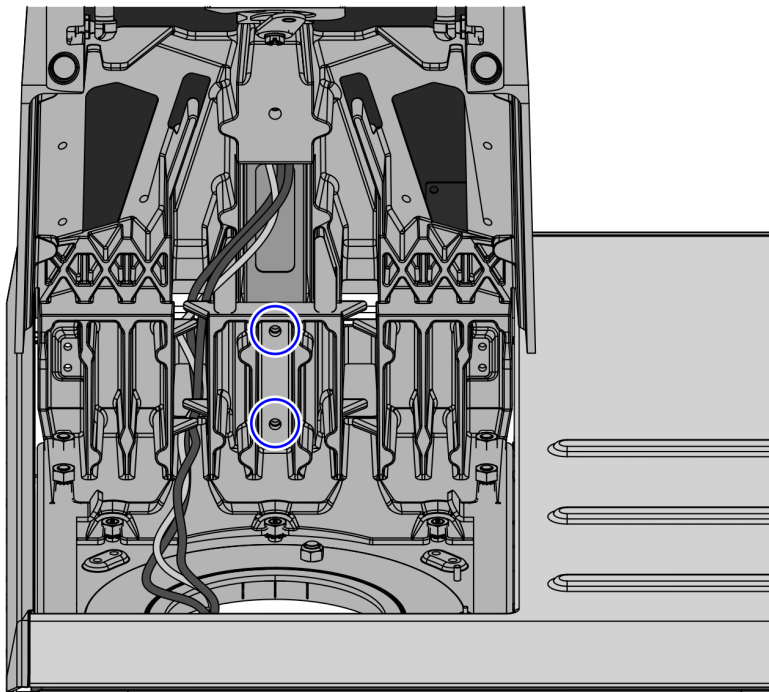
Note: If installing a secondary display, route the display cables out of the smaller hole on the back of the pole.

5. Route the cables coming out of the unit so they align with the grooves and carefully insert the pole into the tower.



CCP-60750

6. Secure the pole to the tower with two (2) screws.



CCP-61150

7. Insert the excess cables into the opening on the Tri-Light/Lane Light pole so that the cables will not interfere with any outer items.

