

Kit Instructions

7360 (R6) Short Tri-Light Pole



7360-K061
Issue A



The product described in this document is a licensed product of NCR Corporation.

NCR is a registered trademark of NCR Corporation. NCR FastLane SelfServ™ Checkout is a trademark of NCR Corporation in the United States and/or other countries. Other product names mentioned in this publication may be trademarks or registered trademarks of their respective companies and are hereby acknowledged.

The terms HDMI and HDMI High-Definition Multimedia Interface, and the HDMI Logo are trademarks or registered trademarks of HDMI Licensing LLC in the United States and other countries.

Where creation of derivative works, modifications or copies of this NCR copyrighted documentation is permitted under the terms and conditions of an agreement you have with NCR, NCR's copyright notice must be included.

It is the policy of NCR Corporation (NCR) to improve products as new technology, components, software, and firmware become available. NCR, therefore, reserves the right to change specifications without prior notice.

All features, functions, and operations described herein may not be marketed by NCR in all parts of the world. In some instances, photographs are of equipment prototypes. Therefore, before using this document, consult with your NCR representative or NCR office for information that is applicable and current.

To maintain the quality of our publications, we need your comments on the accuracy, clarity, organization, and value of this book. Please use the link below to send your comments.

EMail: FD230036@ncr.com

Copyright © 2016-2019

By NCR Corporation

864 Spring St. NW

Atlanta, GA 30308

United States

All Rights Reserved

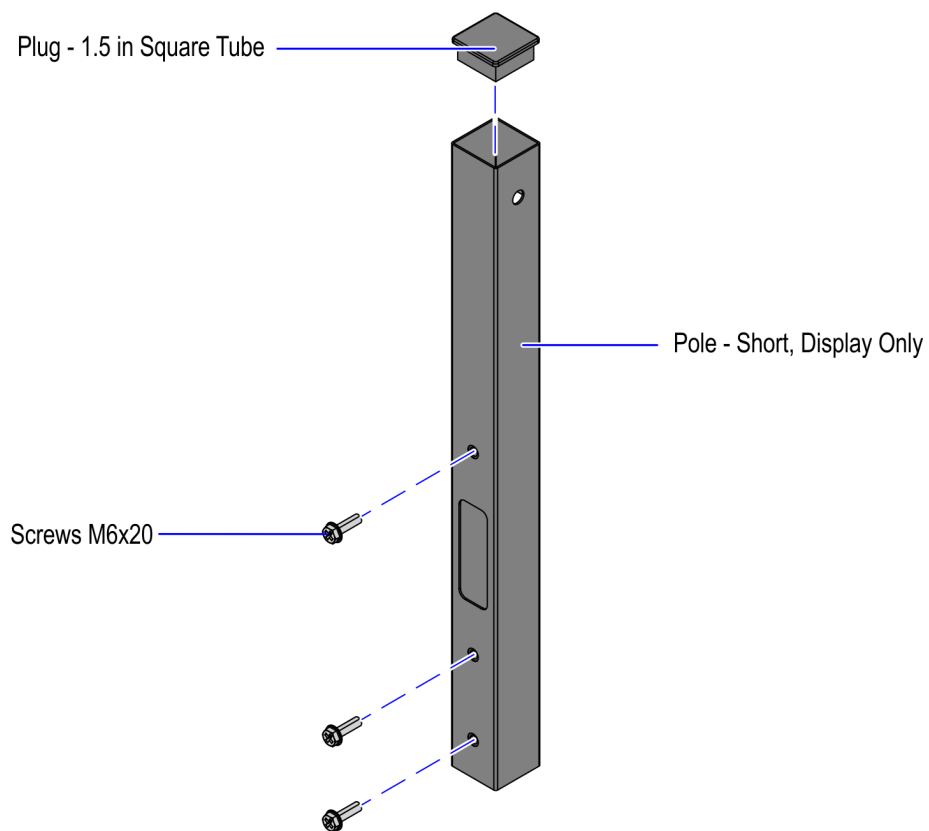
Revision Record

Issue	Date	Remarks
A	Sep 2019	First Issue

7360 (R6) Short Tri-Light Pole

The 7360 (R6) Short Tri-Light Pole holds the Secondary Display of the SelfServ Checkout unit. This publication provides procedures for installing an R6 Short Tri-Light Pole to an NCR FastLane SelfServ™ Checkout (7360) unit.

Kit Contents



CCP-77723

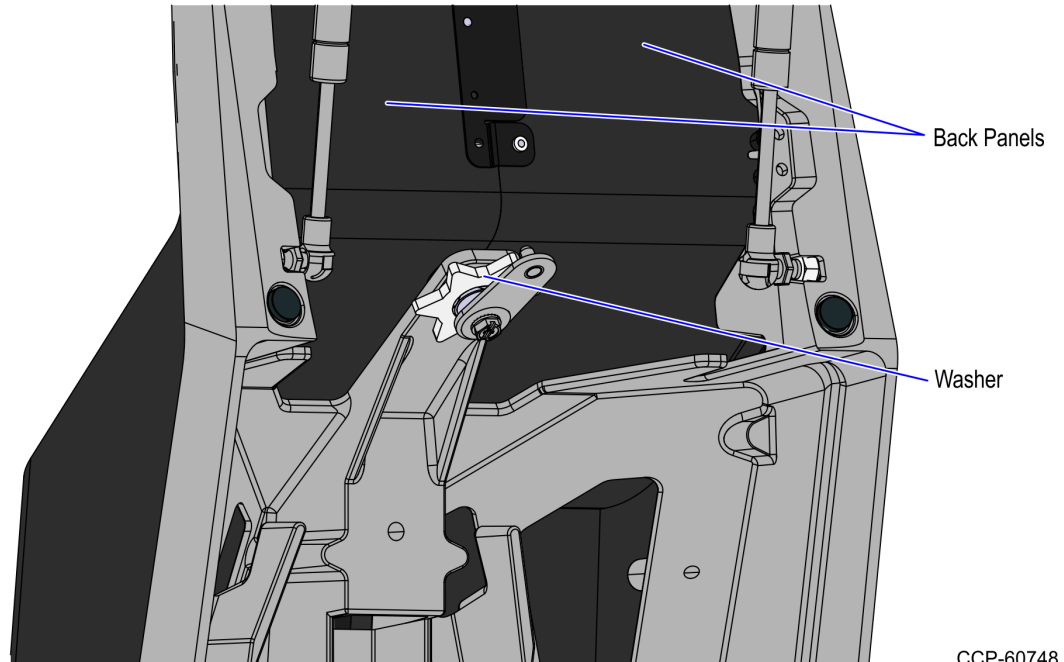
Part Number	Description
497-0526159	KIT - R6 Tri-Light Pole, Short
009-0006598	Screws M6 x 20 (3 pcs)
006-8624304	Plug - 1.5 in Square Tube
497-0511358	Pole - Short, Display Only
* 497-0423108	Instructions Kit (Reference Sheet)

* Items marked with an asterisk are not called out on the image.

Installation Procedure

To install the R6 Short Tri-Light Pole, follow these steps:

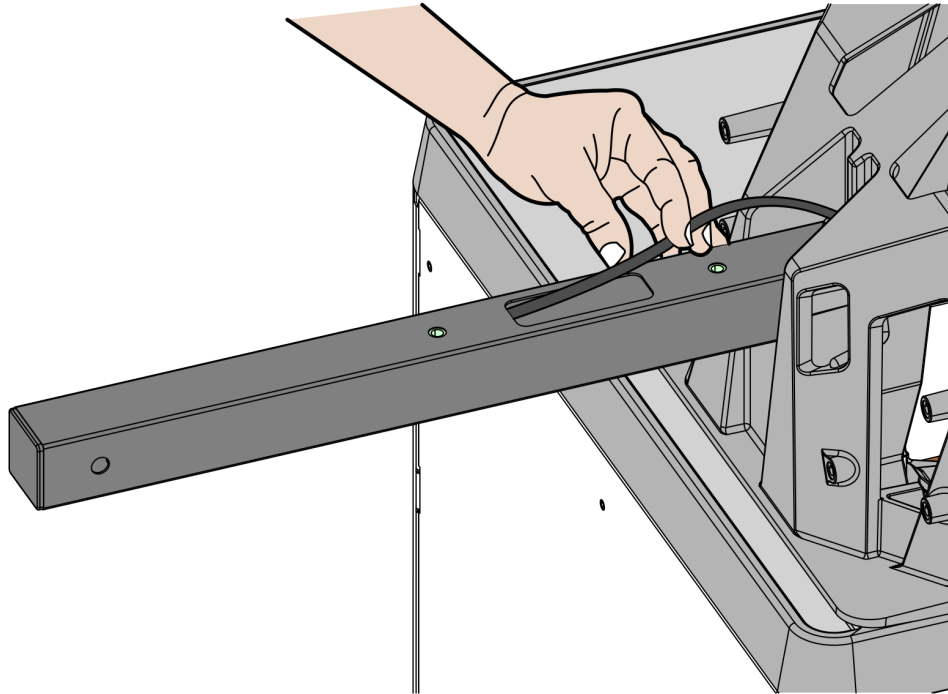
1. Remove the existing Tri-Light/Lane Light Pole, if necessary. For more information, refer to [Removing Tri-Light/Lane Light Pole](#) on page 5.
2. Loosen the star-shaped washer around the keylock assembly.



CCP-60748

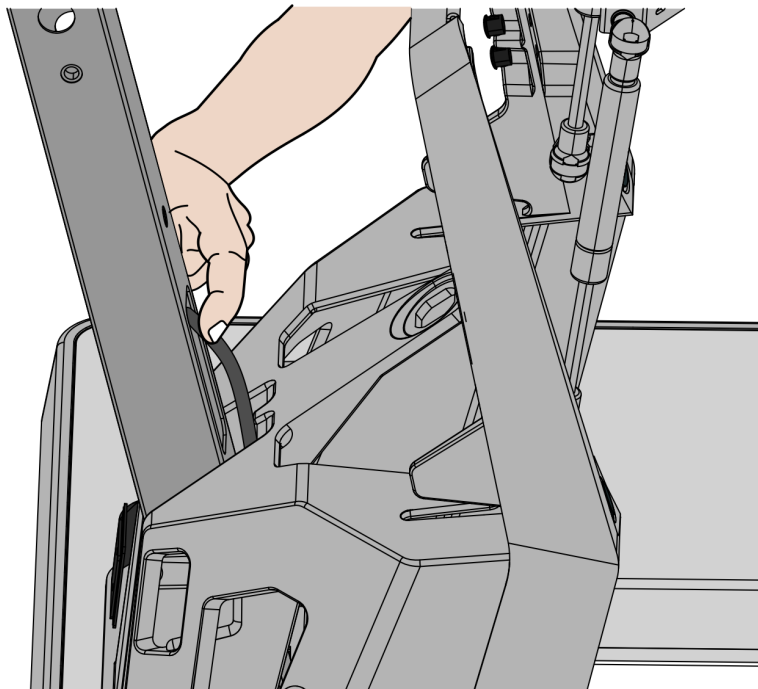
3. Remove the two (2) back panels from the tower assembly.

4. Insert the Secondary Display cables through the opening in the side of the pole.



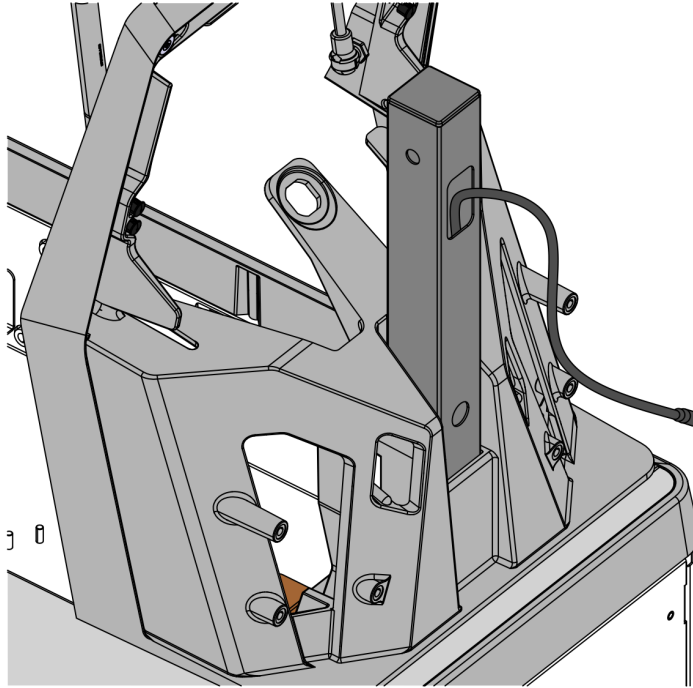
CCP-77723

5. Route the cables coming out of the unit so they align with the grooves and carefully insert the pole into the tower.



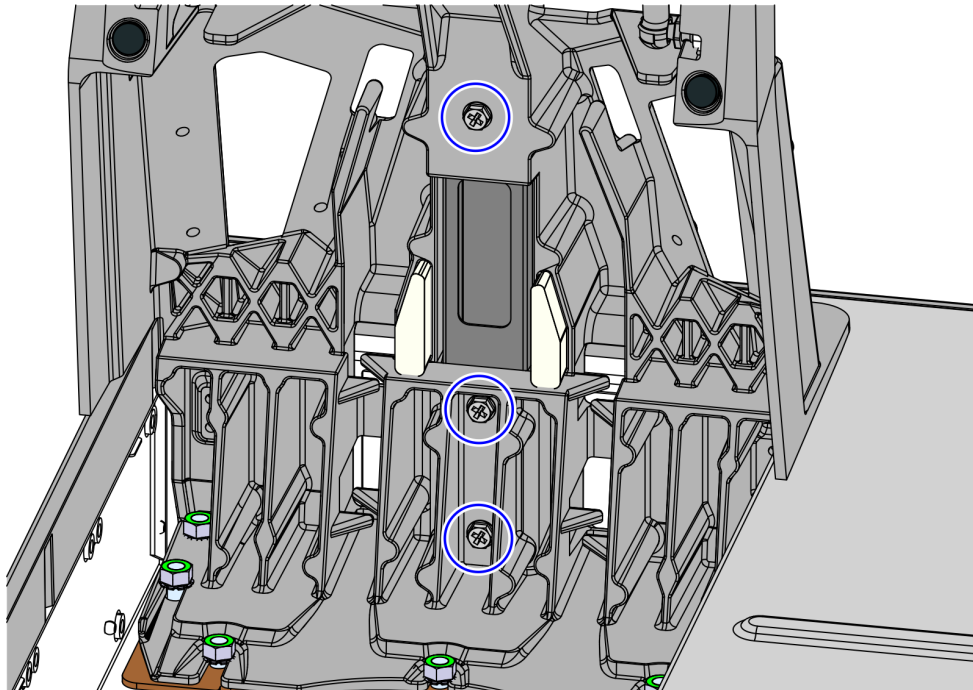
CCP-60750

6. Route the Secondary Display cables out of the hole on the back of the pole.



CCP-77725

7. Secure the pole to the tower using three (3) screws.



CCP-77724

8. Install the Secondary Display. For more information, refer to *NCR FastLane SelfServTM Checkout (7360) Hardware Service Guide (B005-000-2378)*.

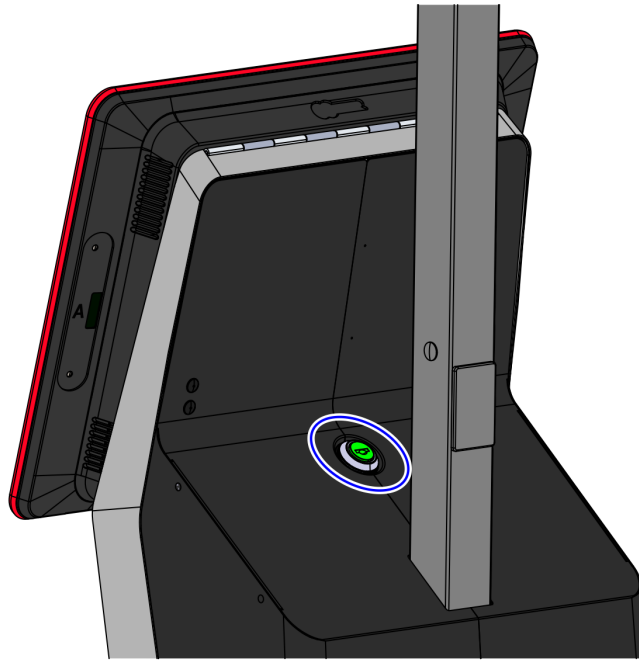
Removing Tri-Light/Lane Light Pole

To remove the Tri-Light/Lane Light Pole, follow these steps:



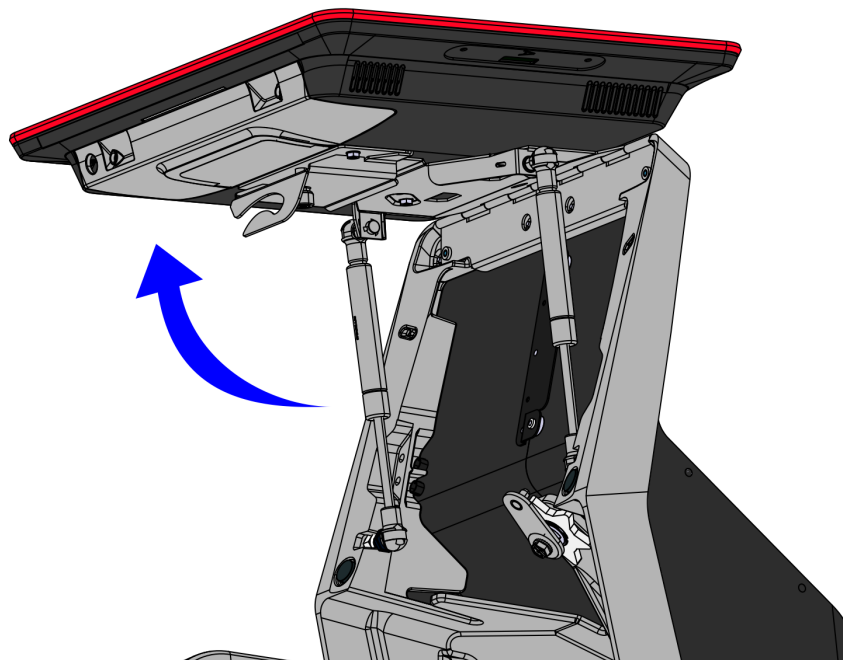
Note: To remove the Tri-Light/Lane Light Assembly, refer to *NCR FastLane SelfServ™ Checkout (7360) Hardware Service Guide (B005-0000-2378)*.

1. Insert key in lock on the back of tower and then turn counterclockwise to unlock the terminal.



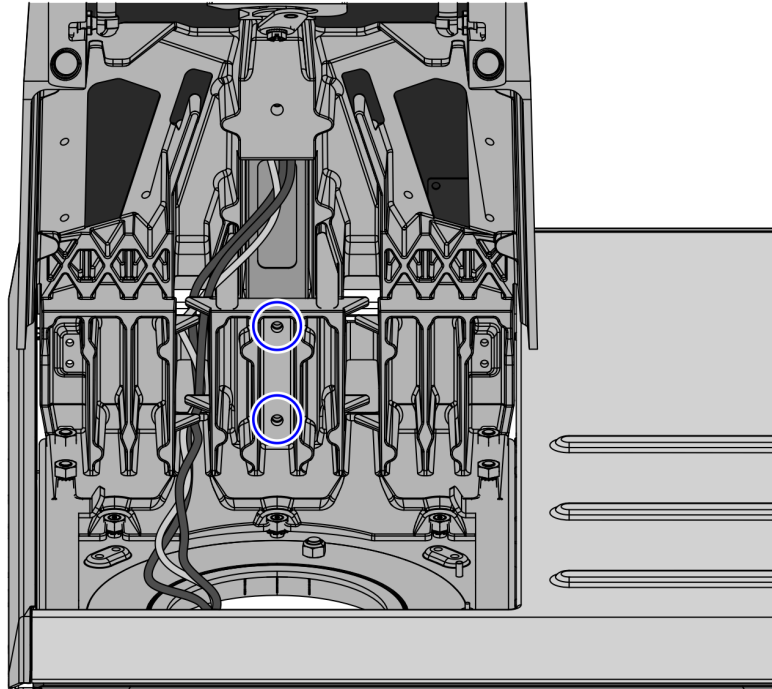
CCP-61622

2. Lift up the terminal display.



CCP-62073

3. Remove the Scanner/Scale to access the screws that secure the Tri-Light/Lane Light Pole.
4. Remove the two (2) screws securing the Tri-Light/Lane Light Pole to the tower.



CCP-61150

5. Remove the cables out of the Tri-Light/Lane Light Pole.
6. Lift the Tri-Light/Lane Light Pole out of the tower.